



US00D982669S

(12) **United States Design Patent**
Feng

(10) **Patent No.:** **US D982,669 S**

(45) **Date of Patent:** **** Apr. 4, 2023**

(54) **HOLDER FOR CARD, TILE AND THE LIKE**

(71) Applicant: **Xudong Feng**, Ningbo (CN)

(72) Inventor: **Xudong Feng**, Ningbo (CN)

(**) Term: **15 Years**

(21) Appl. No.: **29/767,566**

(22) Filed: **Jan. 23, 2021**

(51) **LOC (14) Cl.** **21-01**

(52) **U.S. Cl.**
USPC **D21/392**

(58) **Field of Classification Search**
USPC D19/65, 75, 76, 77, 86, 90, 91, 95, 96,
D19/97, 99, 100; D20/10, 15, 16, 17, 19,
D20/21, 39, 40, 41, 42, 43, 44, 49;
D21/392

CPC G09F 7/22; G09F 7/20; G09F 2007/1886;
G09F 2007/1891; G09F 2007/186; G09F
2007/1839; G09F 2007/1852; G09F
2007/1808; G09F 2007/1813; G09F
2007/183; G09F 7/04; G09F 7/08; G09F
7/10; G09F 15/0006; G09F 15/0018
See application file for complete search history.

(56) **References Cited**

U.S. PATENT DOCUMENTS

581,237	A *	4/1897	Mautz	A47F 7/148
					211/50
1,588,618	A *	6/1926	Rosen	A63F 1/10
					273/150
1,629,070	A *	5/1927	Cox	A63F 1/10
					D21/392
2,742,292	A *	4/1956	McDonough	A63F 1/10
					40/124.4
D198,447	S *	6/1964	Lovgren	D25/119
D246,062	S *	10/1977	Kowalski	D21/392

D274,278	S *	6/1984	Haymann	D25/119
D353,412	S *	12/1994	Bull	D21/392
D393,486	S *	4/1998	Orr	D19/86
5,743,527	A *	4/1998	Harley	A63F 1/10
					273/148 R
6,142,315	A *	11/2000	Arout	A47F 7/145
					248/473
D597,604	S *	8/2009	E	D19/91
D635,191	S *	3/2011	Cheetwood	D19/91
D857,103	S *	8/2019	Beyer	D21/392
D860,326	S *	9/2019	Vanacore	D21/392
D900,940	S *	11/2020	Wu	D21/392
D953,443	S *	5/2022	Wu	D21/392

OTHER PUBLICATIONS

Twin tier, posted at amazon.com, posted in 2020, site visited Jul. 15, 2022. online, available from internet: <https://www.amazon.com/Twin-Tier-Premier-Playing-Holder/dp/B083S3PGLK> (Year: 2020).*

* cited by examiner

Primary Examiner — Catherine Ho
(74) *Attorney, Agent, or Firm* — Raymond Y. Chan;
David and Raymond Patent Firm

(57) **CLAIM**

The ornamental design for a holder for card, tile and the like, as shown and as described.

DESCRIPTION

FIG. 1 is a perspective view showing my new design in drawing.

FIG. 2 is a front view of FIG. 1.

FIG. 3 is a rear view of FIG. 1.

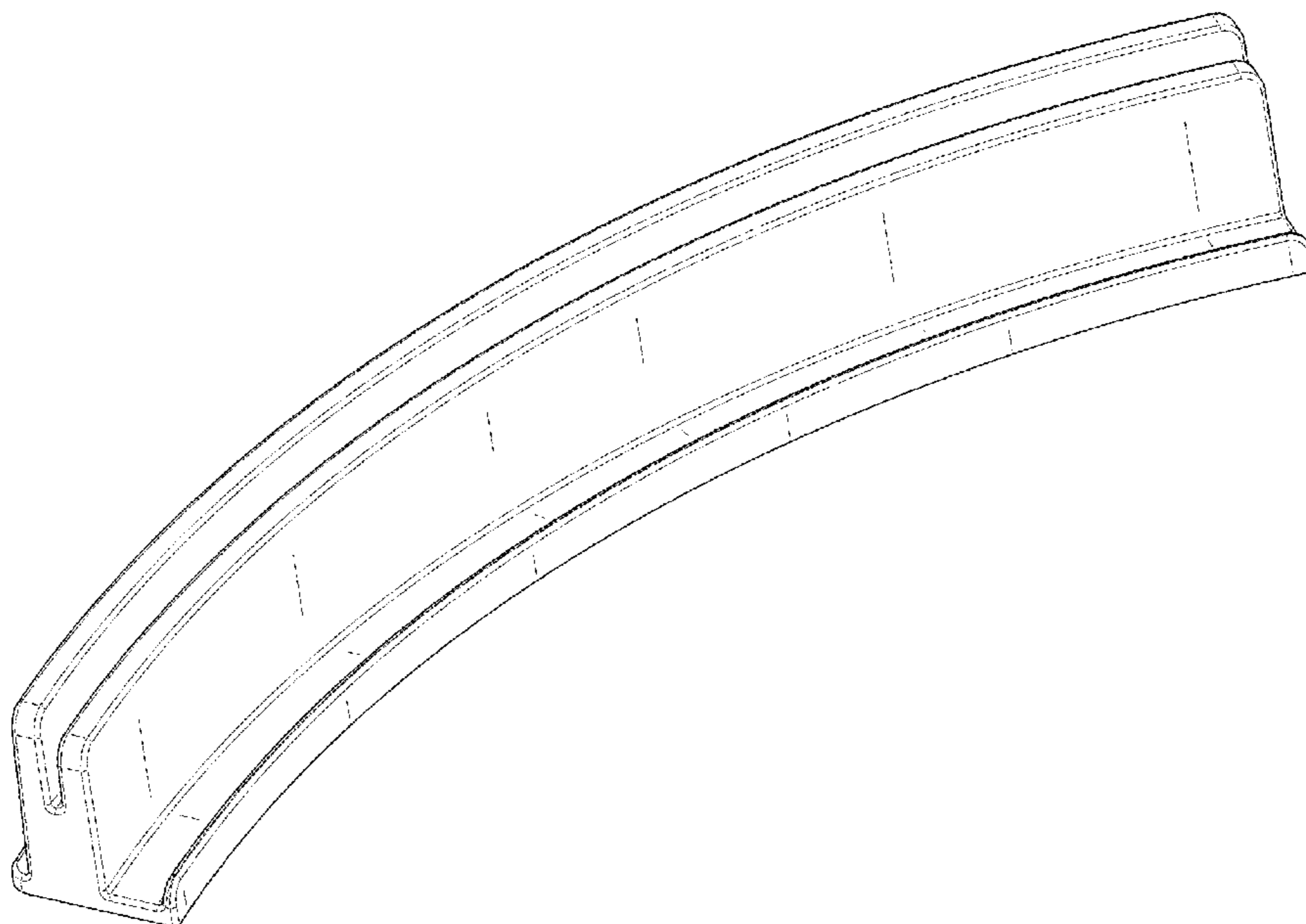
FIG. 4 is a left end view of FIG. 1.

FIG. 5 is a right end view of FIG. 1.

FIG. 6 is a top view of FIG. 1; and,

FIG. 7 is a bottom view of FIG. 1.

1 Claim, 6 Drawing Sheets



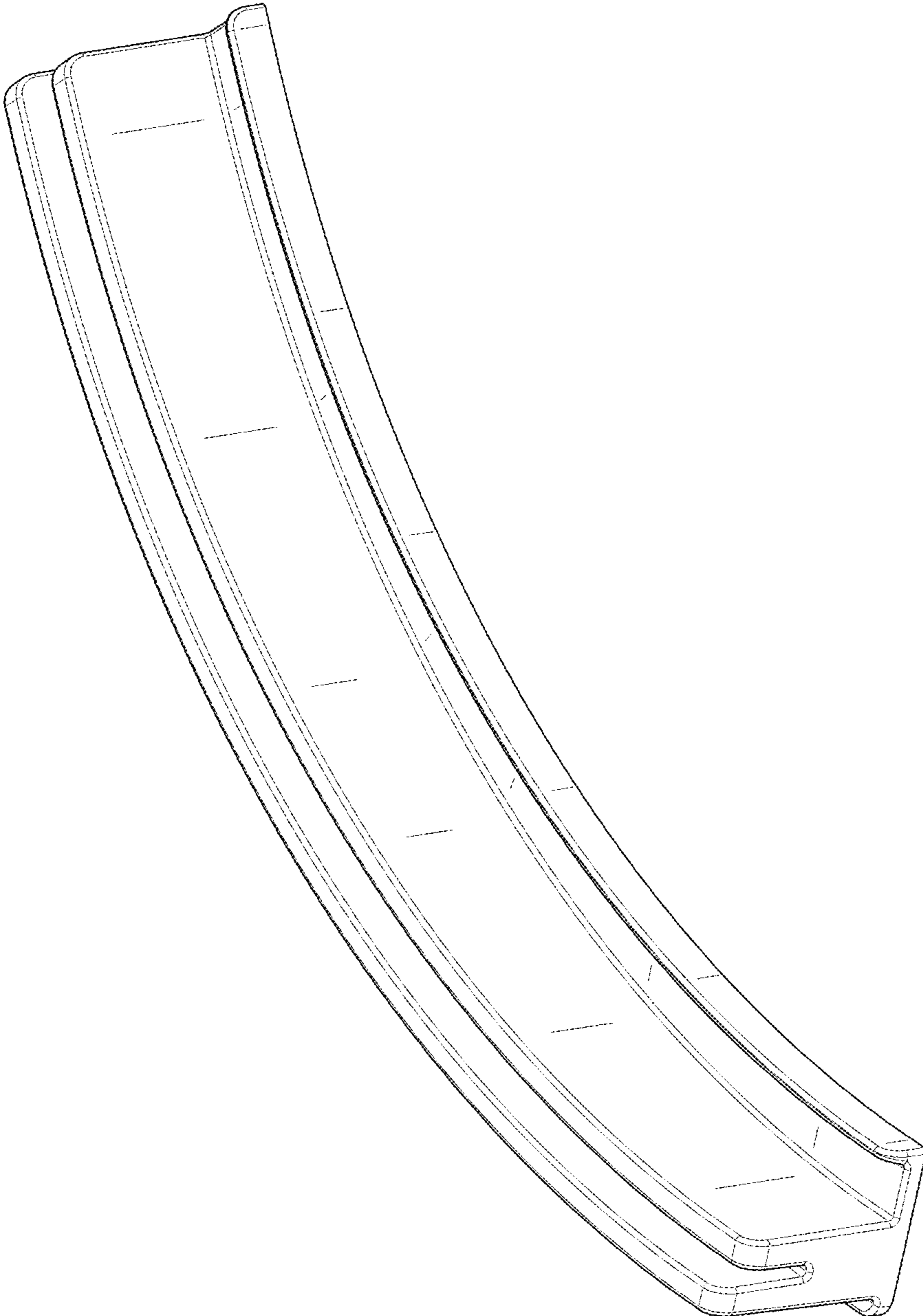


FIG.1

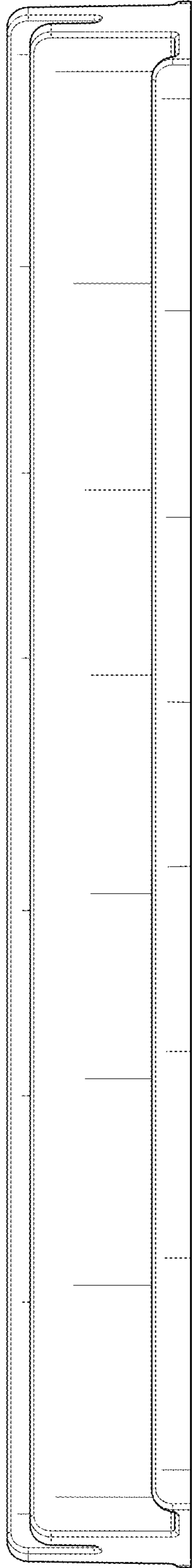


FIG.2

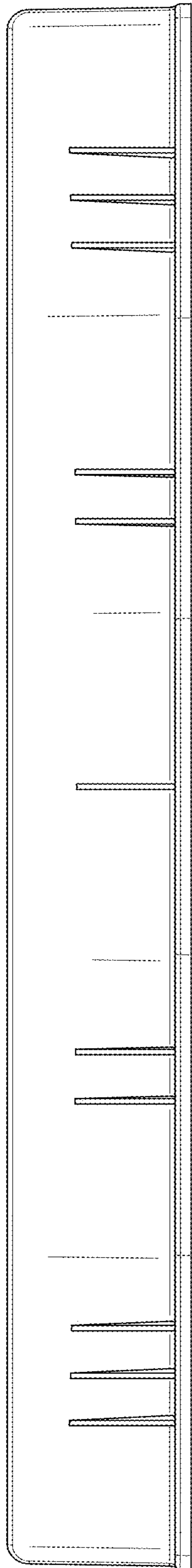


FIG.3

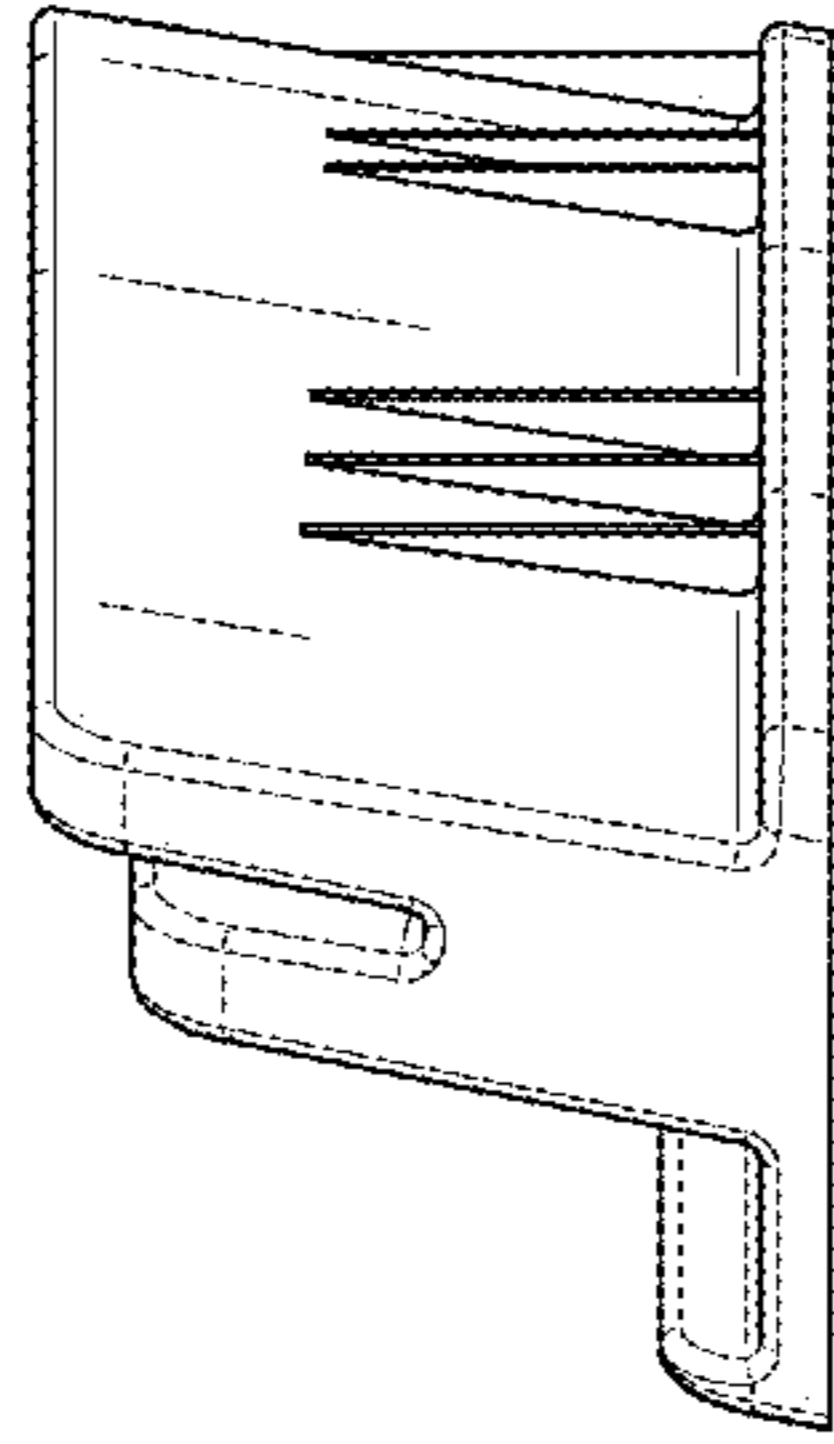


FIG.5

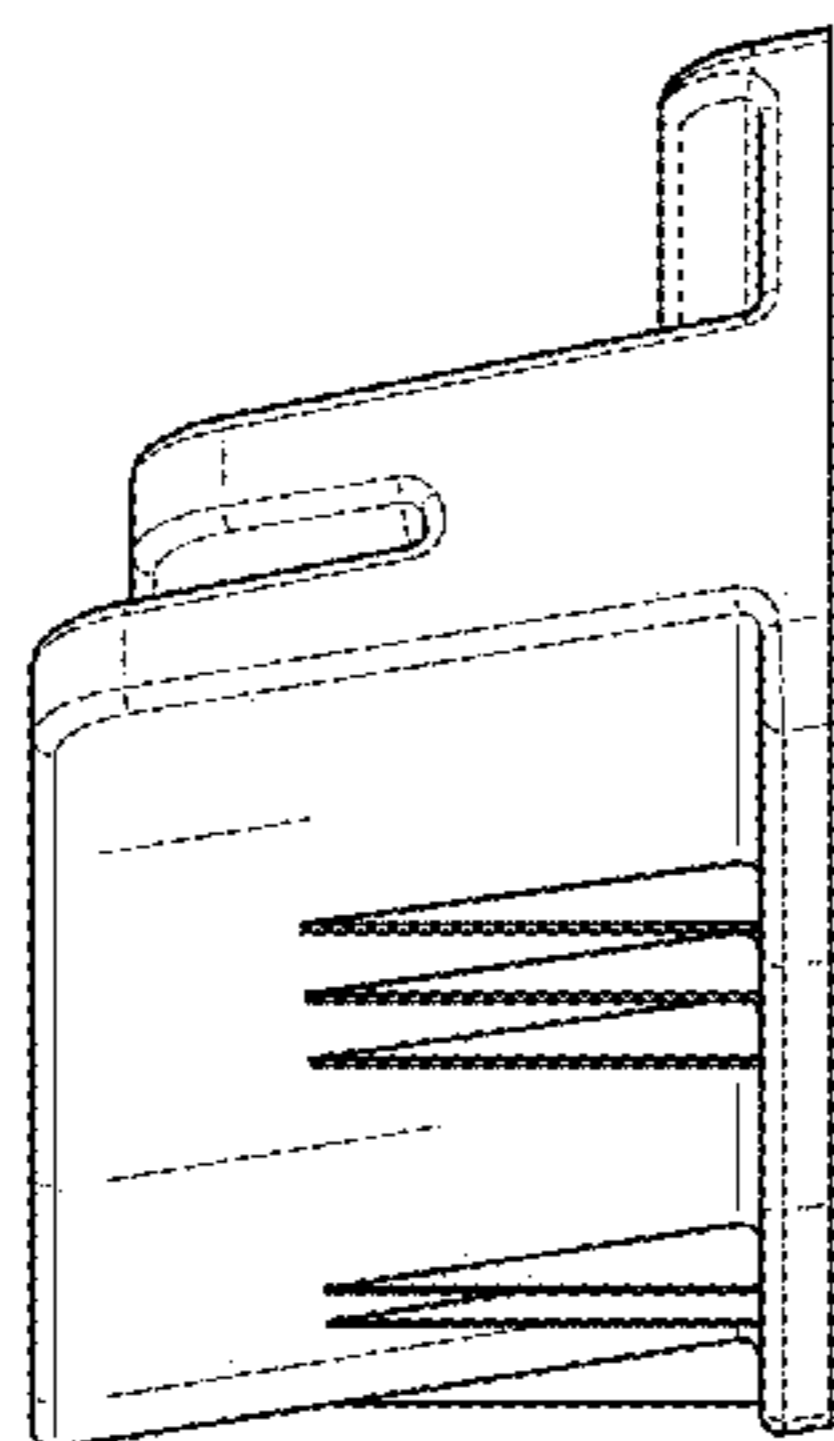


FIG.4

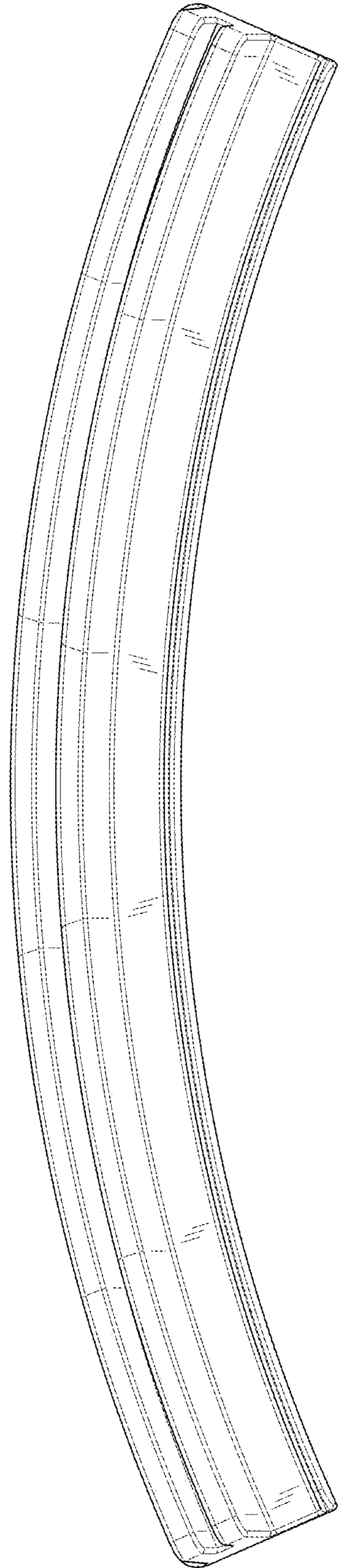


FIG.6

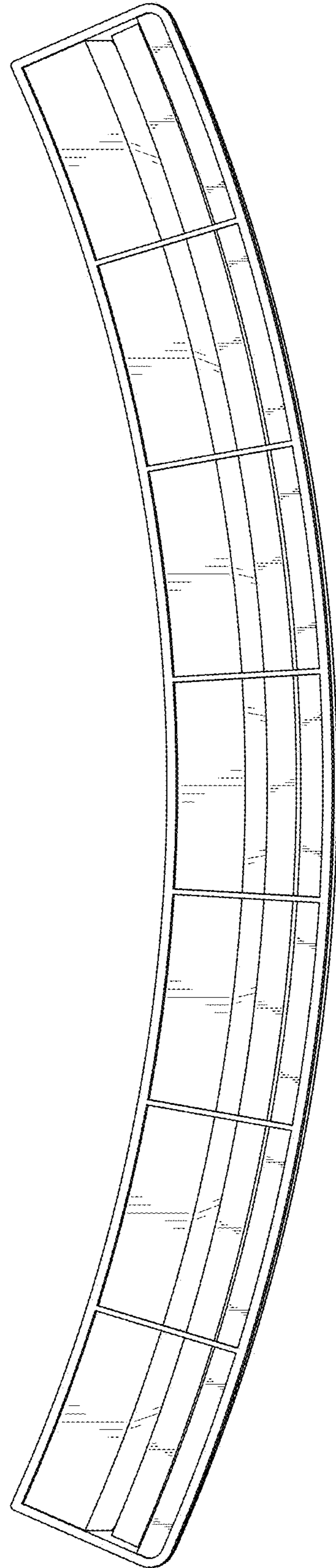


FIG.7