

US00D982668S

(12) **United States Design Patent** (10) **Patent No.:** **US D982,668 S**
Su (45) **Date of Patent:** **** Apr. 4, 2023**

(54) **BETTING BOX**

(71) Applicant: **Boya Su**, Fujian (CN)

(72) Inventor: **Boya Su**, Fujian (CN)

(**) Term: **15 Years**

(21) Appl. No.: **29/807,348**

(22) Filed: **Sep. 10, 2021**

(51) **LOC (14) Cl.** **21-01**

(52) **U.S. Cl.**
USPC **D21/385**

(58) **Field of Classification Search**

USPC D21/300, 369, 371, 385, 398, 475, 484,
D21/491, 499, 500, 515, 698, 798;
D19/11, 26, 59, 60, 62, 64; D99/34, 35,
D99/36, 43; D10/97; D7/553.1, 553.2,
D7/601, 602; D9/737, 756, 759, 760,
D9/499

CPC A63F 9/06; A63F 9/08; A63F 3/00157;
A63F 9/00; A63F 9/04; G09B 1/00;
G09B 1/02; G09B 1/04; A63H 33/30

See application file for complete search history.

(56) **References Cited**

U.S. PATENT DOCUMENTS

2,739,815 A * 3/1956 Fay A63F 9/0098
434/167
D243,781 S 3/1977 Yamagata
D246,868 S 1/1978 Itakura
D247,441 S 3/1978 Kroll
4,186,926 A * 2/1980 Kulesza A63F 9/00
273/357
D263,862 S 4/1982 Mayuzumi
4,341,389 A * 7/1982 Dumont A63F 9/0098
273/272
4,428,580 A * 1/1984 Pasquine A63F 9/04
273/145 C
D309,914 S * 8/1990 Kagelmann-Holtz D19/59
D309,915 S * 8/1990 Kagelmann-Holtz D19/59
D323,859 S * 2/1992 Russell D21/372

D331,266 S * 11/1992 Jaynes D21/372
5,316,482 A * 5/1994 Bryson A63F 3/0423
434/129
5,386,998 A * 2/1995 Mader A63F 3/0415
273/237
D370,033 S 5/1996 Moody
D380,961 S * 7/1997 Schnack D9/425
D391,321 S 2/1998 Hill

(Continued)

OTHER PUBLICATIONS

Mesin Lotre Hiburan Portabel Permainan, available on id.aliexpress.com, no date available, site visited Sep. 1, 2022], URL: <https://id.aliexpress.com/item/3256804463468797.html> (Year: 2022).*

(Continued)

Primary Examiner — Dana K Weiland
Assistant Examiner — Emily Anna Saunders

(57) **CLAIM**

The ornamental design for a betting box, as shown and described.

DESCRIPTION

FIG. 1 is a perspective view of a betting box design showing my new design.

FIG. 2 is a front view of a betting box.

FIG. 3 is a rear view of a betting box.

FIG. 4 is a left side view of a betting box.

FIG. 5 is a right side view of a betting box.

FIG. 6 is a top view of a betting box.

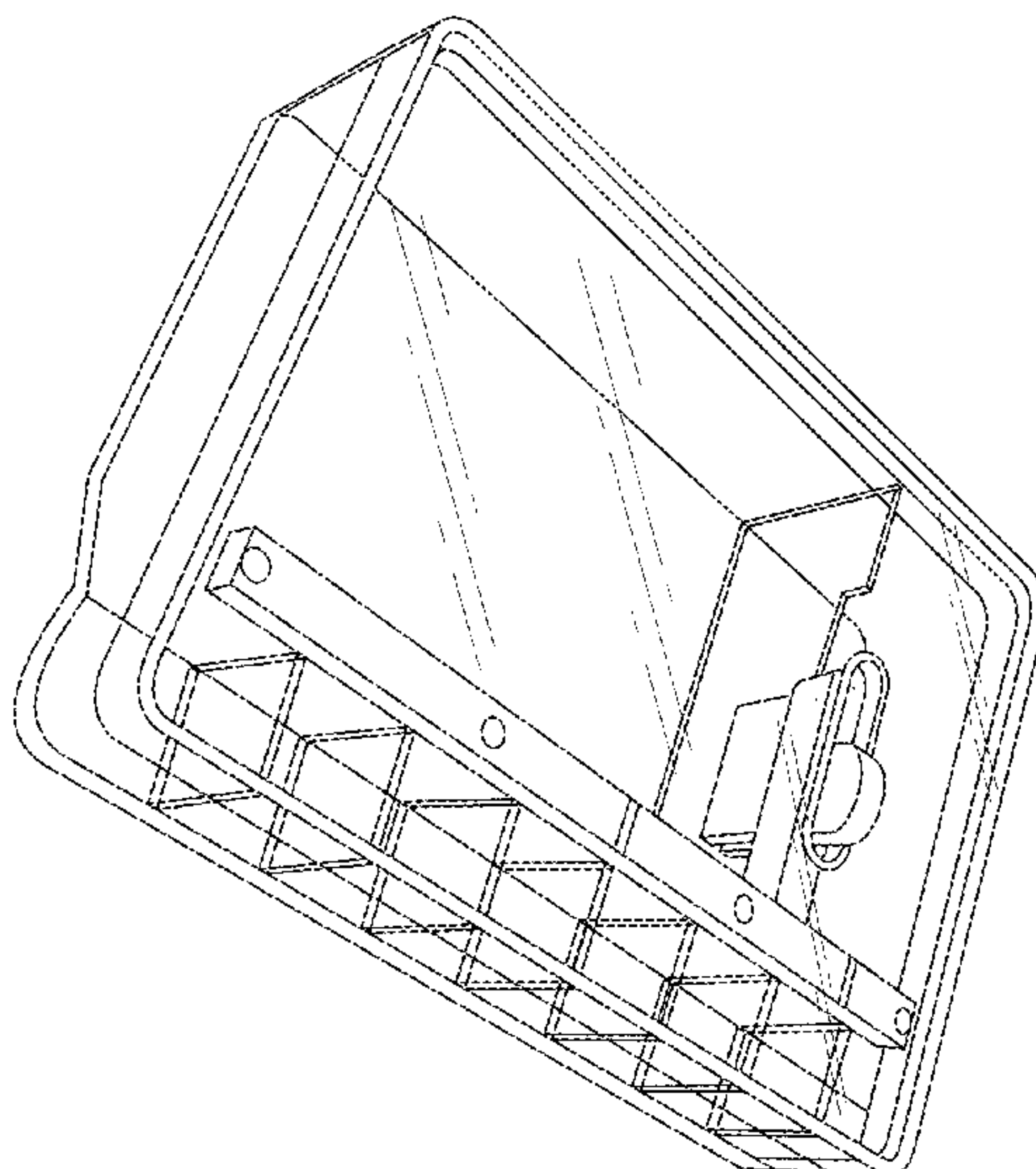
FIG. 7 is a bottom view of a betting box; and,

FIG. 8 is another perspective view of a betting box showing in a use state.

The broken lines in FIG. 8 depict environment only and form no part of the claimed design.

Shading is not a feature of the design but is utilized to illustrate the surface contours of the betting box design in the drawings.

1 Claim, 8 Drawing Sheets



(56)

References Cited

U.S. PATENT DOCUMENTS

5,894,928	A *	4/1999	Chang	A45D 31/00 220/665
D450,186	S *	11/2001	Dembicks	D3/313
D492,595	S *	7/2004	Chang	D9/423
D561,425	S *	2/2008	Mikkelsen	D99/34
D568,765	S *	5/2008	Miles	D9/737
D597,610	S	8/2009	Denoual	
D605,896	S *	12/2009	Zalewski	D7/553.1
7,758,050	B2 *	7/2010	Denoual	A63F 3/00 273/393
10,286,297	B1 *	5/2019	Becker	A63F 11/00
D893,632	S	8/2020	McGahn et al.	
2003/0111794	A1 *	6/2003	DiGirolamo	A63F 9/18 273/146

OTHER PUBLICATIONS

Entertainment Lottery Machine, available on Ebay.com, first revision date Aug. 15, 2022, [site visited Sep. 1, 2022], URL: <https://www.ebay.com/itm/374201014798> (Year: 2022).*

Harilla Little Fortunate Number Picker, available on Amazon.com, no date available, [site visited Sep. 1, 2022], URL: <https://www.amazon.com/Harilla-Little-Fortunate-Lottery-Machine/dp/B0B79ZFPZZ/> (Year: 2022).*

Rockible Mini Lottery Machine, available on Amazon.com, no date available, [site visited Sep. 1, 2022], URL: <https://www.amazon.com/rockible-Lottery-Machine-Raffle-Fortunate/dp/B0BB227KDK/> (Year: 2022).*

BTISKY 4 Pack Project Case, available on Amazon.com, date first available Dec. 31, 2021, [site visited Sep. 1, 2022], URL: <https://www.amazon.com/BTISKY-Transparent-Container-Accessories-12-6x9-4x0-9/dp/B09PHBL772/> (Year: 2021).*

Large Plastic Organizer Box, available on Amazon.com, date first available Mar. 28, 2019, [site visited Sep. 1, 2022], URL: <https://www.amazon.com/SGHUO-Organizer-Container-Adjustable-Dividers/dp/B07Q5GJ8DC/> (Year: 2019).*

RNK Gaming Shut The Box Game, available on Amazon.com, oldest customer date with photo Oct. 19, 2019, [site visited Sep. 1, 2022], URL: <https://www.amazon.com/Shut-Box-Game-RNK-Gaming/dp/B07JKGWDFQ/> (Year: 2019).*

* cited by examiner

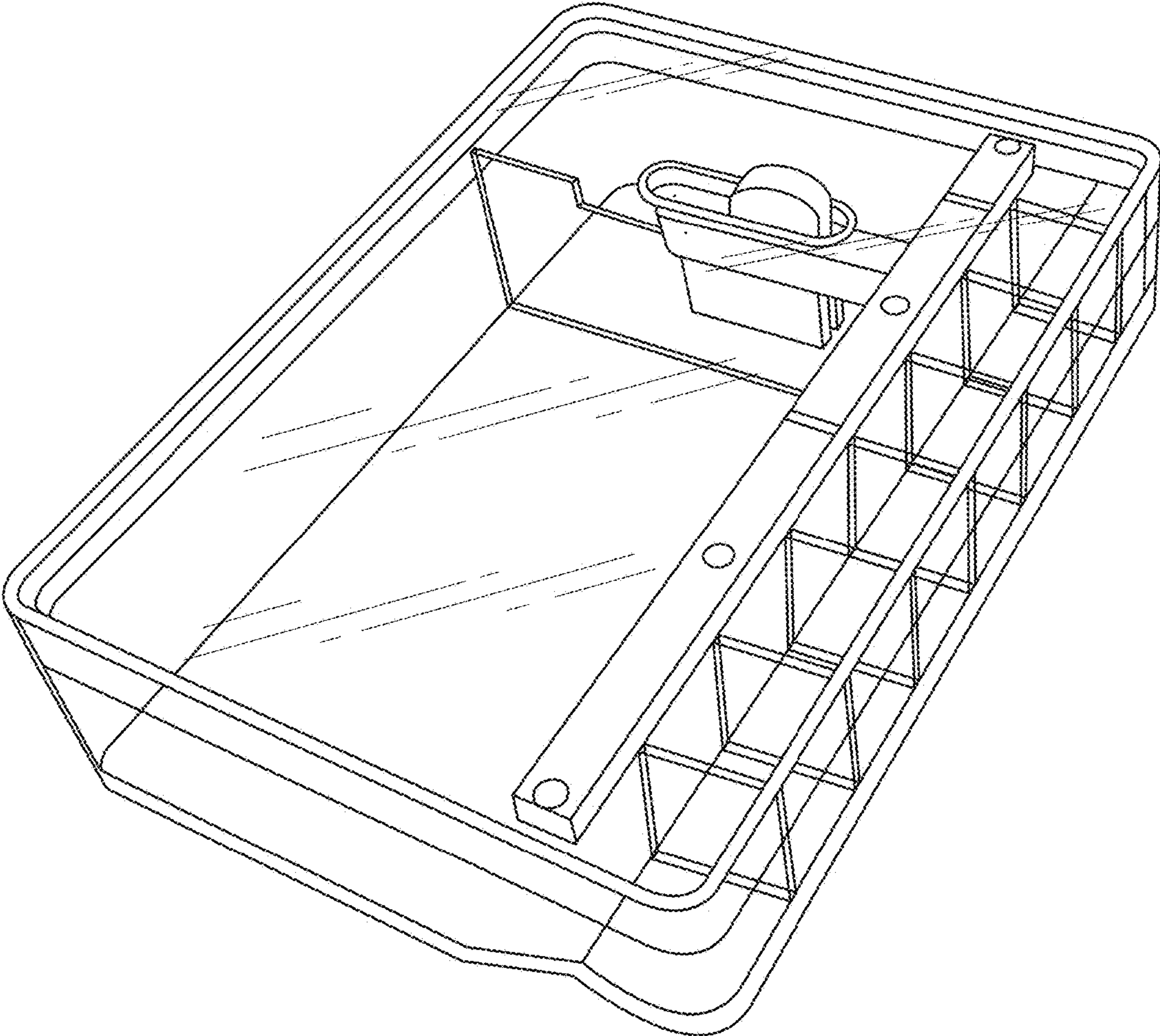


FIG. 1

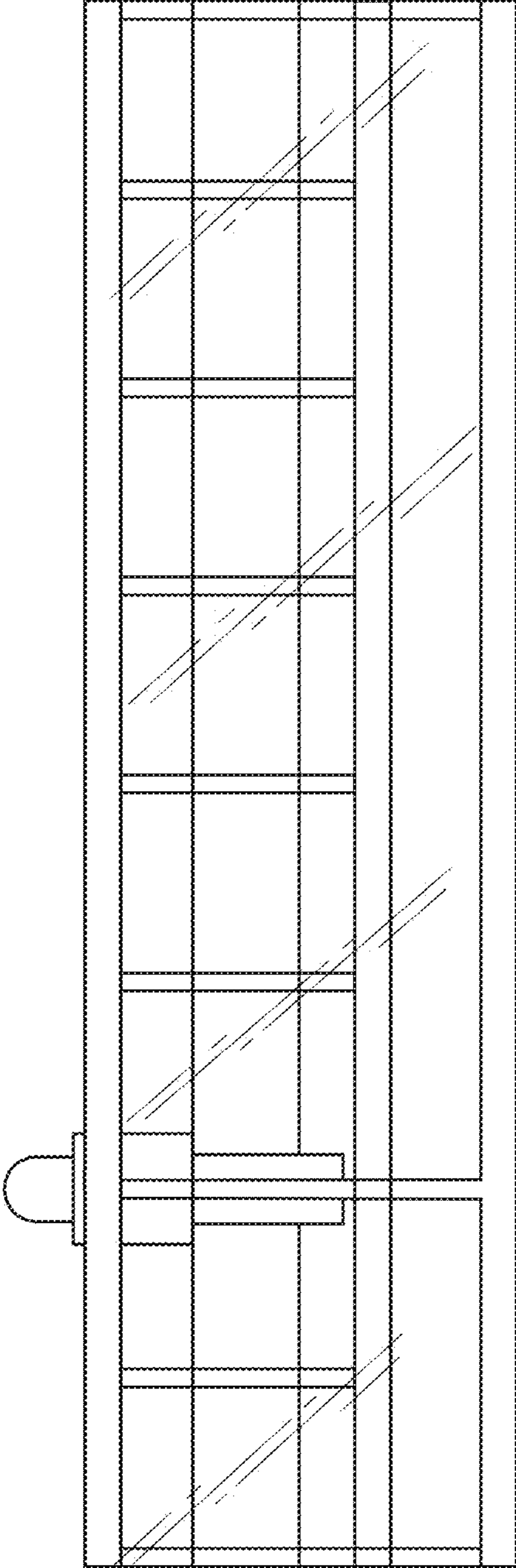


FIG. 2

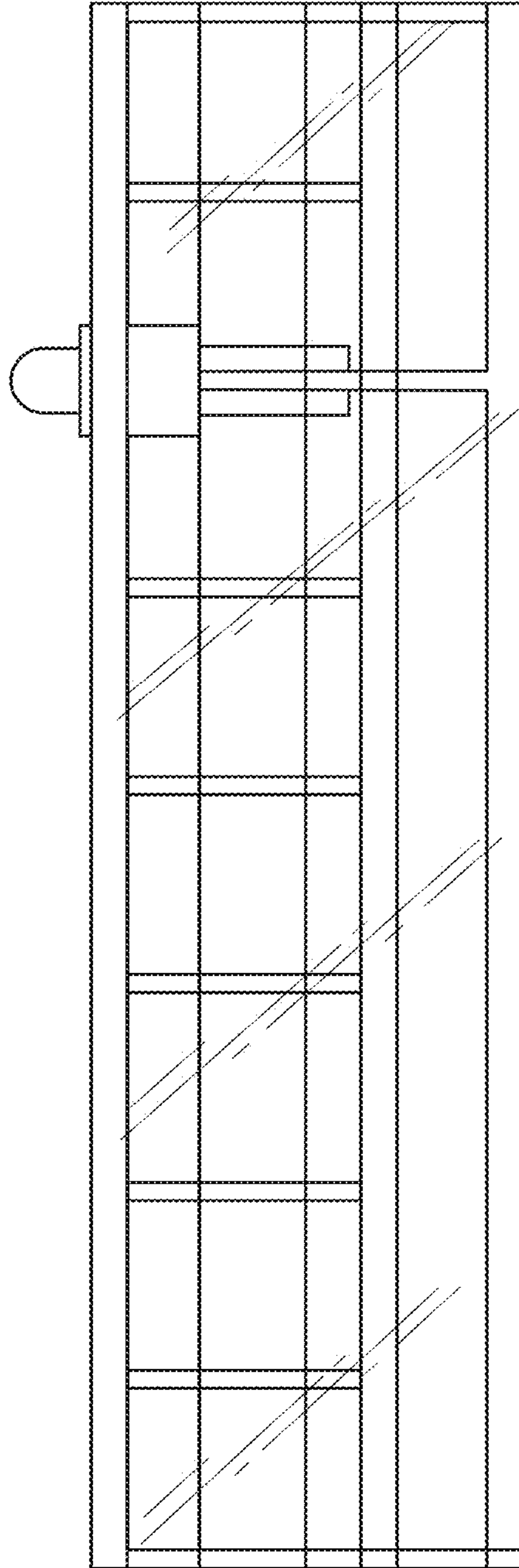


FIG. 3

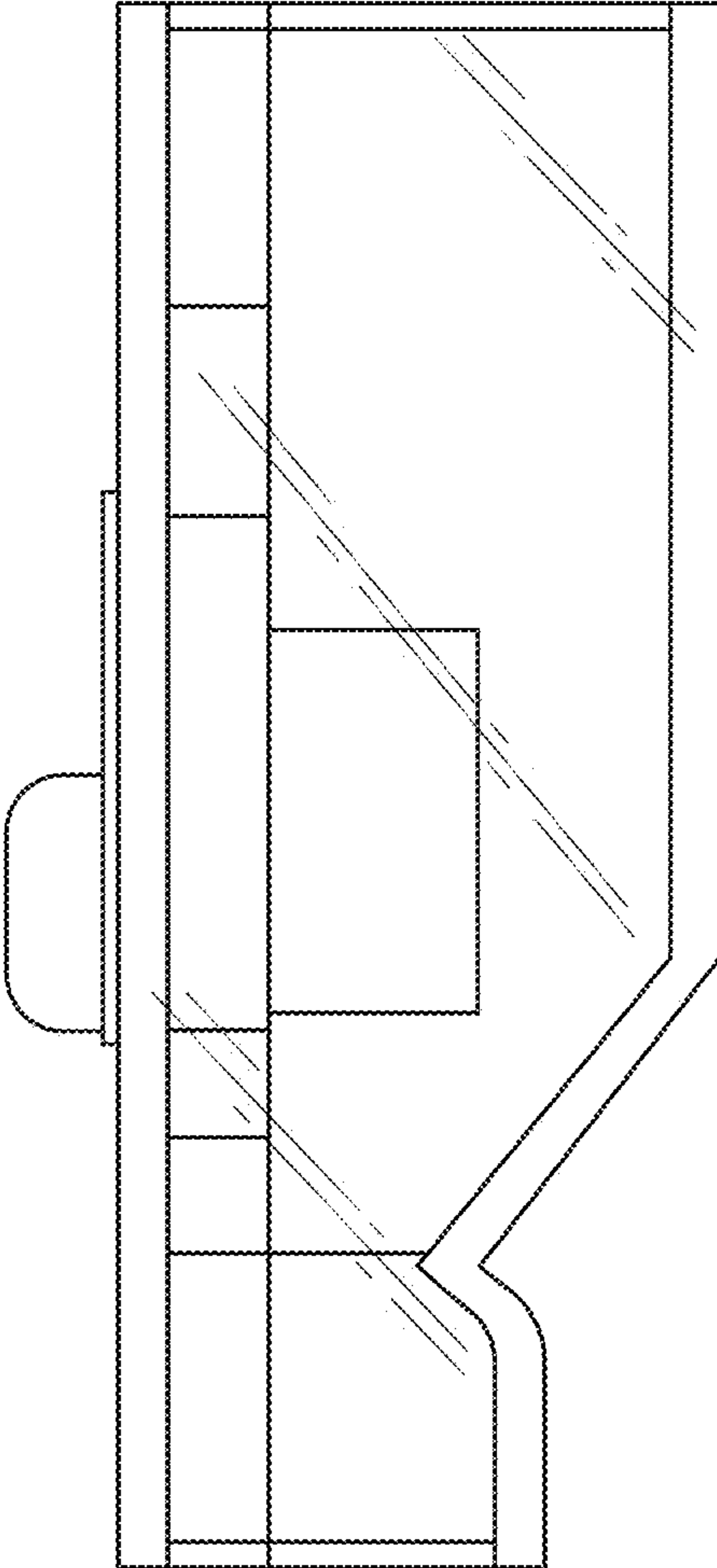


FIG. 4

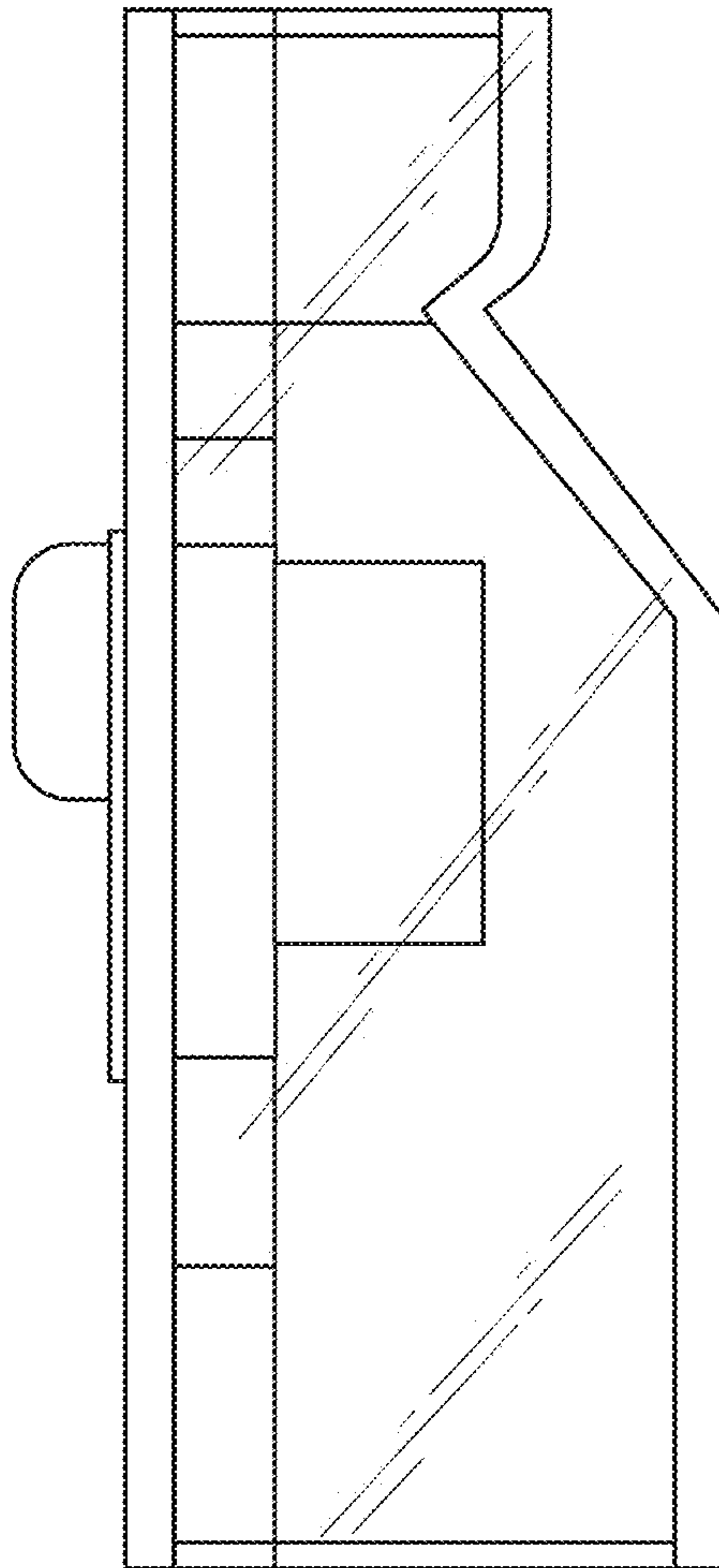


FIG. 5

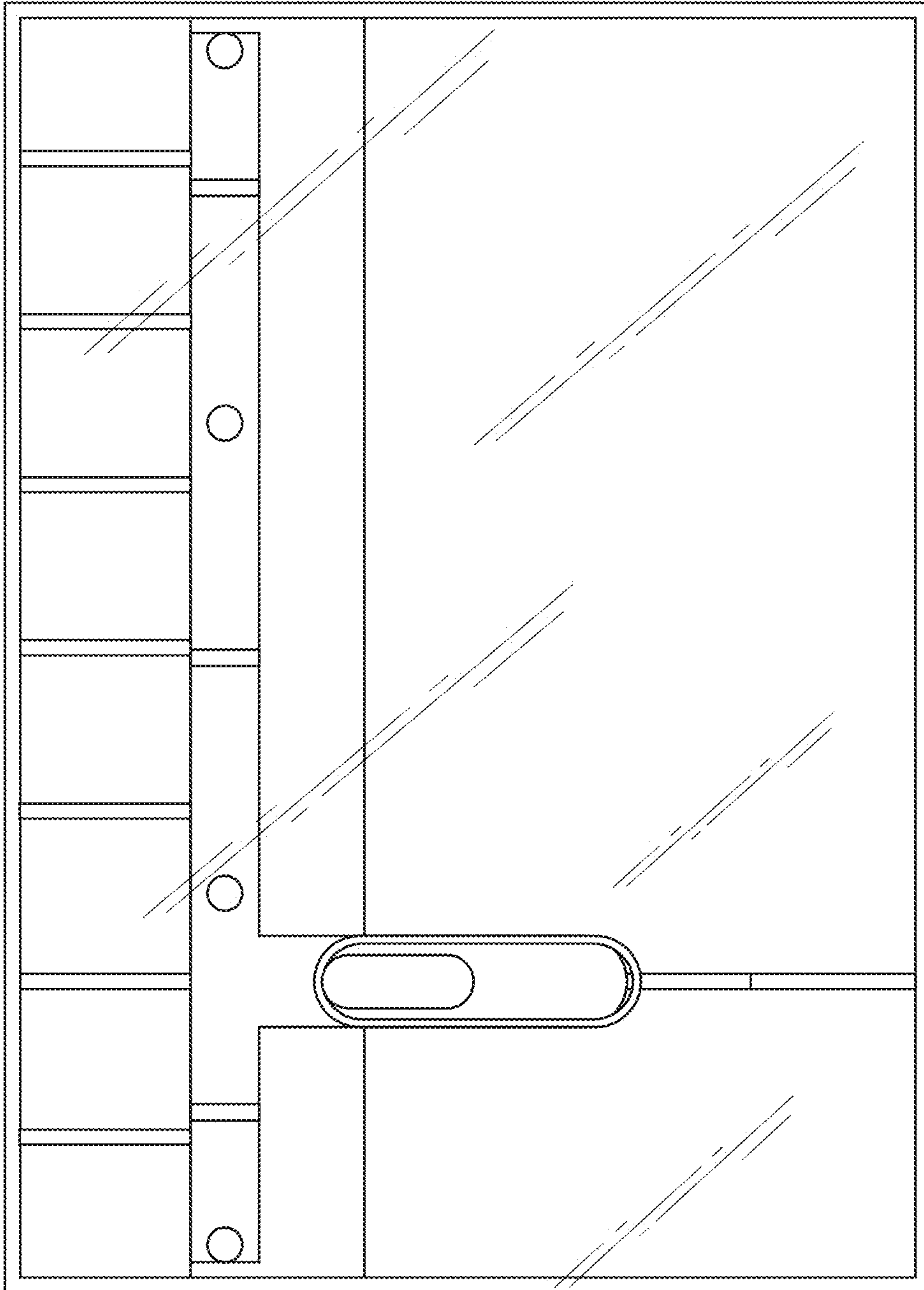


FIG. 6

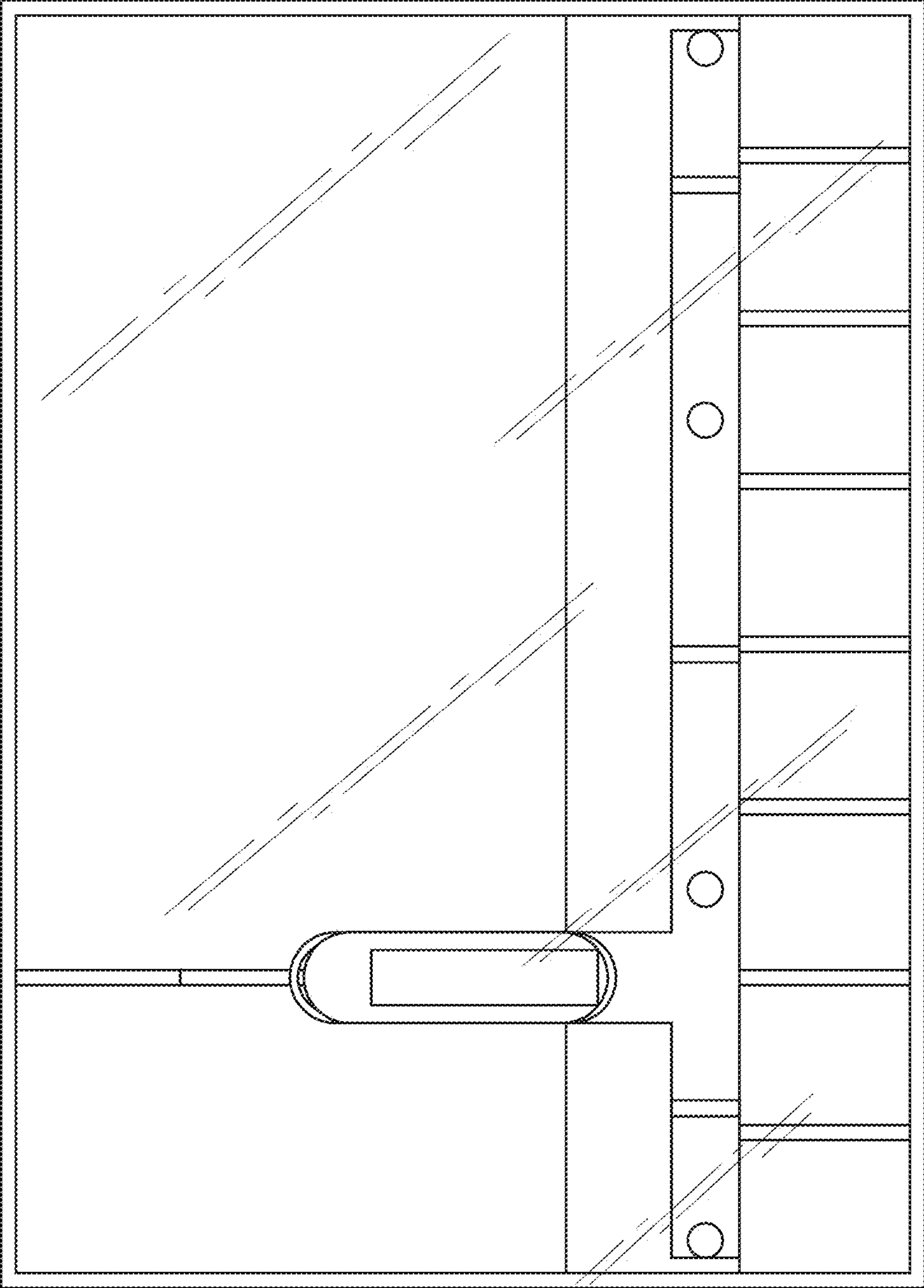


FIG. 7

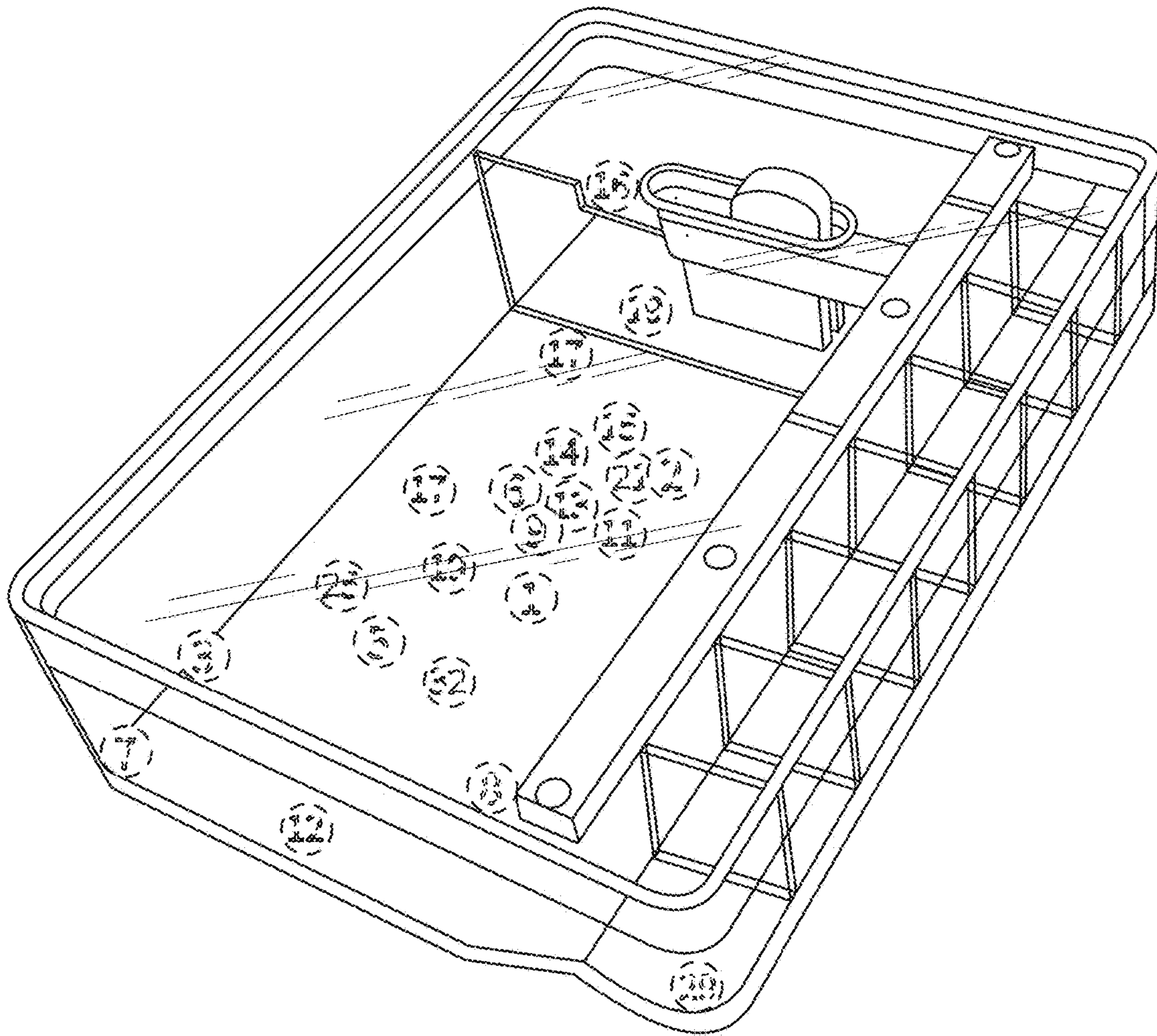


FIG. 8