



US00D982667S

(12) **United States Design Patent**
Tao

(10) **Patent No.:** **US D982,667 S**

(45) **Date of Patent:** **** Apr. 4, 2023**

(54) **GAME WHEEL**

(71) Applicant: **Fengshan Tao**, Liu'an (CN)

(72) Inventor: **Fengshan Tao**, Liu'an (CN)

(**) Term: **15 Years**

(21) Appl. No.: **29/861,923**

(22) Filed: **Dec. 5, 2022**

(51) **LOC (14) Cl.** **21-01**

(52) **U.S. Cl.**
USPC **D21/374**

(58) **Field of Classification Search**
USPC D21/300, 324–327, 329, 333–342,
D21/345–349, 362, 363, 365–369, 371,
D21/374, 375; D14/488–490
CPC A63F 5/00; A63F 5/0005; A63F 5/007;
A63F 5/02; A63F 3/00157; A63F
3/00164; A63F 3/00167; A63F 3/0017;
A63F 3/00176; A63F 3/00182; A63F
3/00189; A63F 3/00208; A63F
2009/2448; A63F 2009/245; A63F
2009/2457; A63F 2009/2458; A63F
2009/246; A63F 2009/2461; A63F
2009/2463
See application file for complete search history.

(56) **References Cited**

U.S. PATENT DOCUMENTS

D72,139 S * 3/1927 Beidelstein 273/142 JA
1,703,498 A * 2/1929 Olbon A63F 5/045
D21/374
1,837,194 A * 12/1931 Baumgarten A63F 5/04
273/272
2,077,124 A * 4/1937 Miller A63F 5/043
D21/374
D105,223 S * 7/1937 Miller D21/374

D168,547 S * 1/1953 Ippolito D21/374
3,141,674 A * 7/1964 Hoffman G07C 15/00
273/142 R
D275,116 S * 8/1984 Mickens D21/375
D280,647 S * 9/1985 Mickens D21/374
D294,837 S * 3/1988 Haines D19/64
D690,368 S 9/2013 Wojdyla-Gray et al.
D761,915 S * 7/2016 Kushner D21/374
9,849,367 B2 * 12/2017 Jones A63F 5/045
D880,616 S 4/2020 Field
D914,100 S * 3/2021 Marks D21/369

* cited by examiner

Primary Examiner — Katie Jane Stofko
(74) *Attorney, Agent, or Firm* — Daniel M. Cohn;
Howard M. Cohn

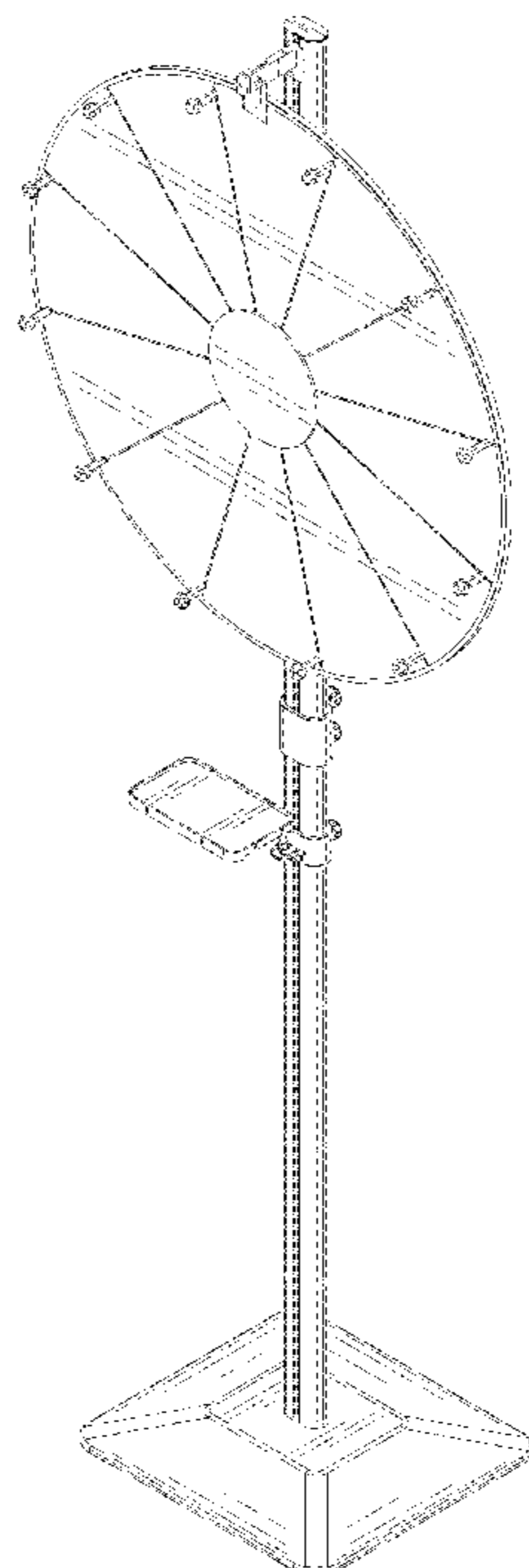
(57) **CLAIM**

The ornamental design for a game wheel, as shown and described.

DESCRIPTION

FIG. 1 is a perspective view of a game wheel showing my new design;
FIG. 2 is another perspective view thereof;
FIG. 3 is a front view thereof;
FIG. 4 is a back view thereof;
FIG. 5 is a left view thereof;
FIG. 6 is a right view thereof;
FIG. 7 is a top plan view thereof;
FIG. 8 is a bottom plan view of a game wheel as shown; and,
FIG. 9 is another perspective view showing the design in a short configuration.
The broken lines in the drawings illustrate portions of the game wheel that form no part of the claimed design.

1 Claim, 9 Drawing Sheets



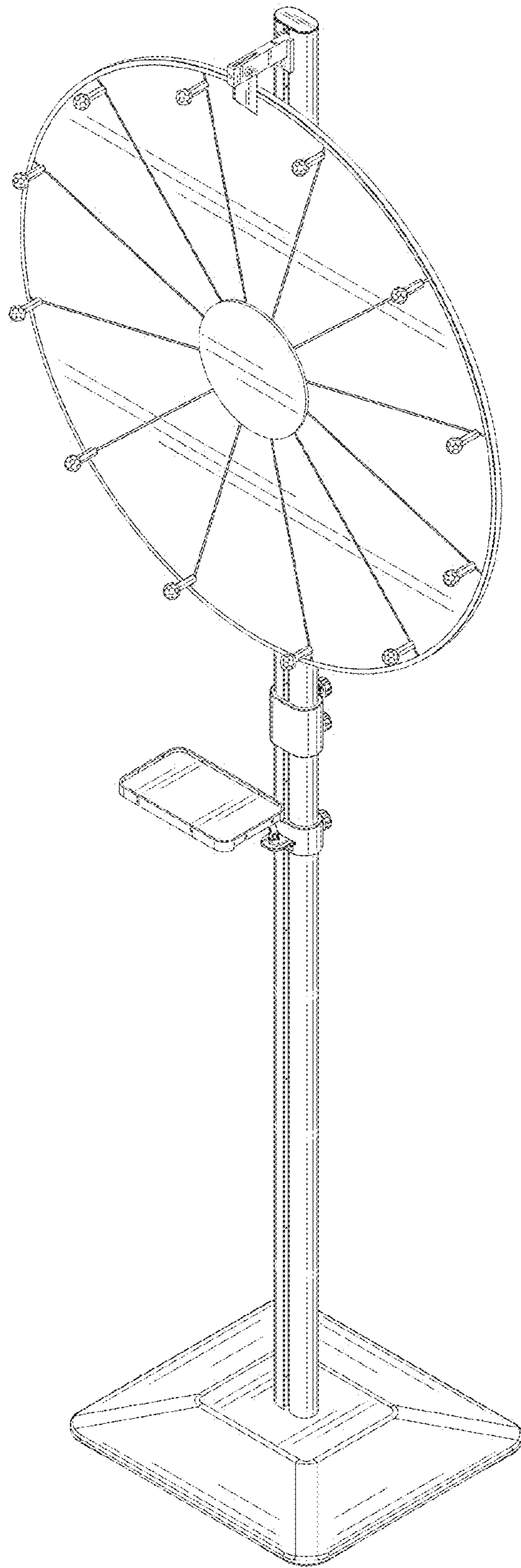


FIG. 1

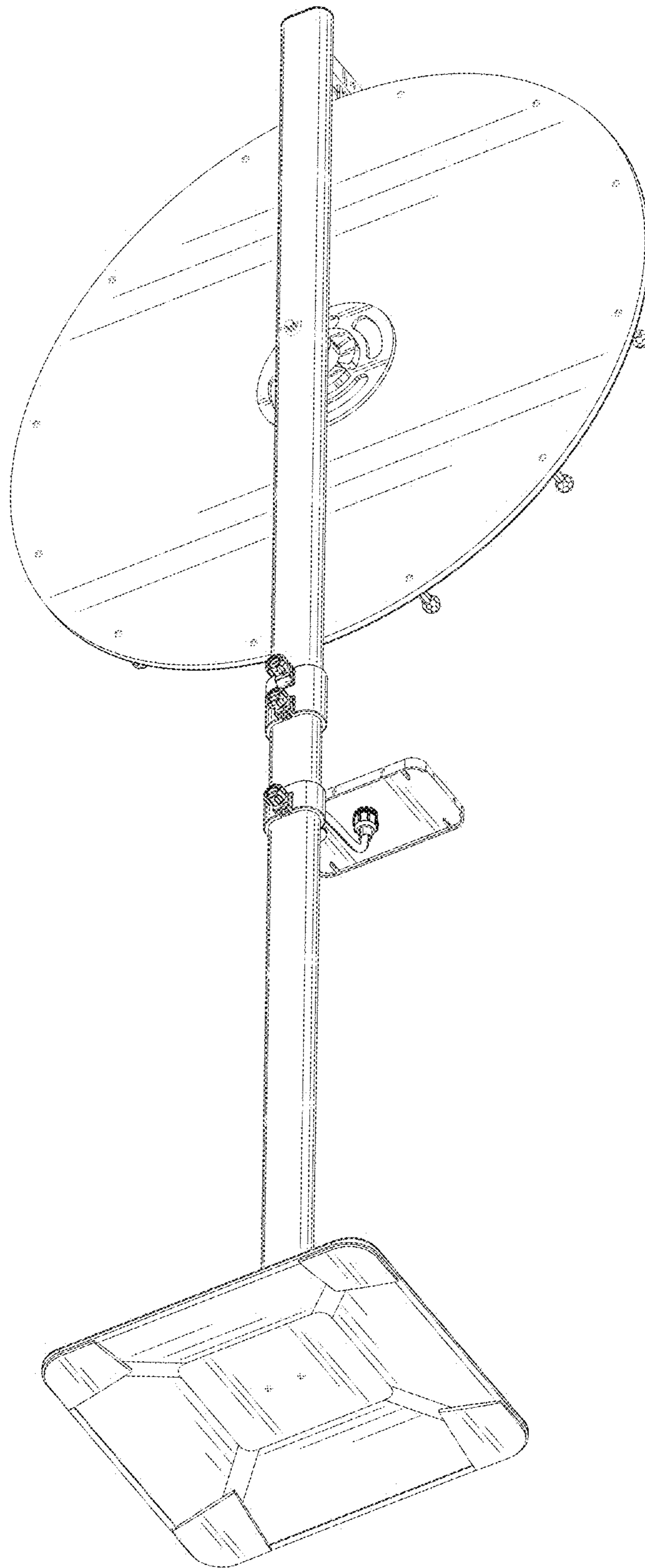


FIG. 2

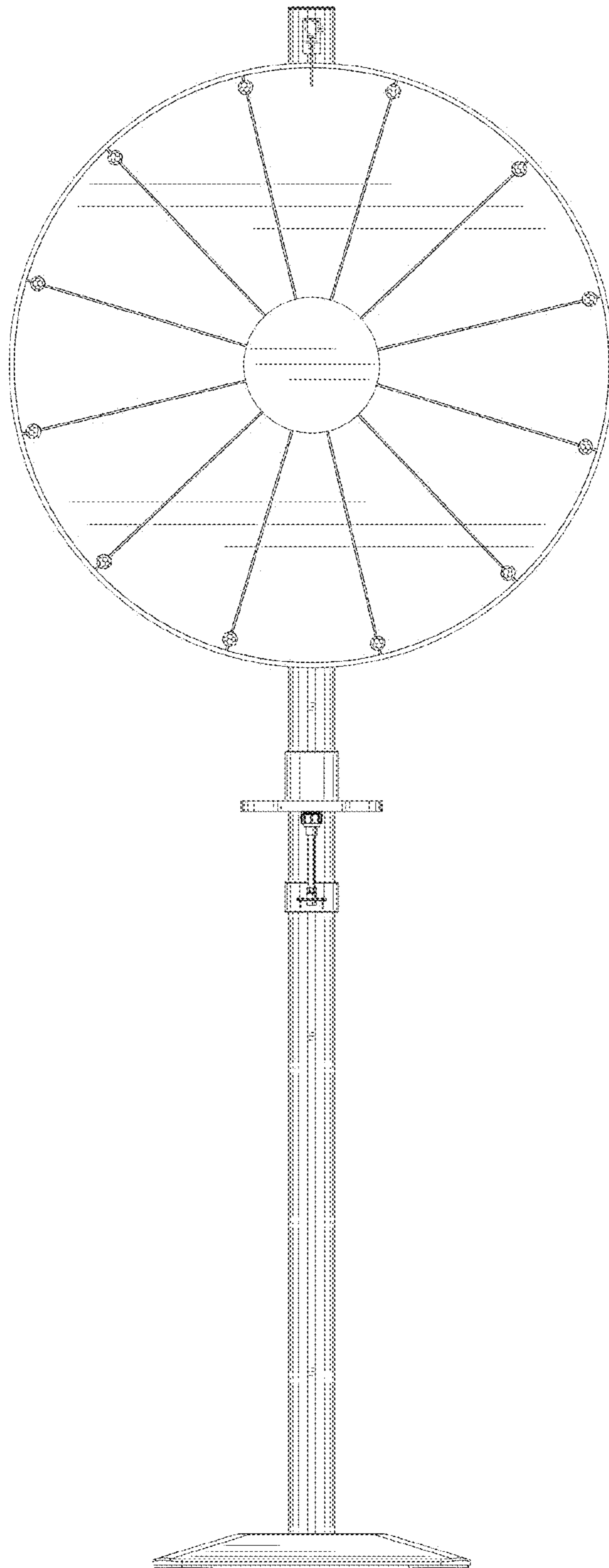


FIG. 3

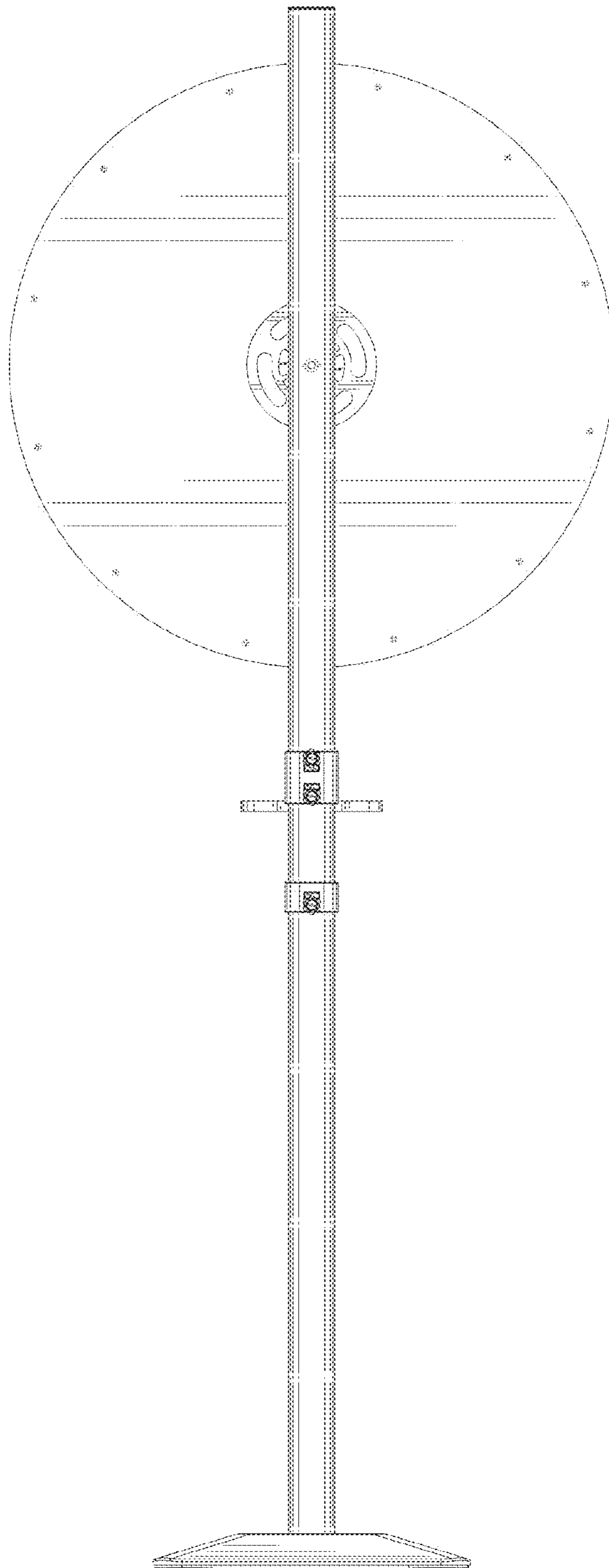


FIG. 4

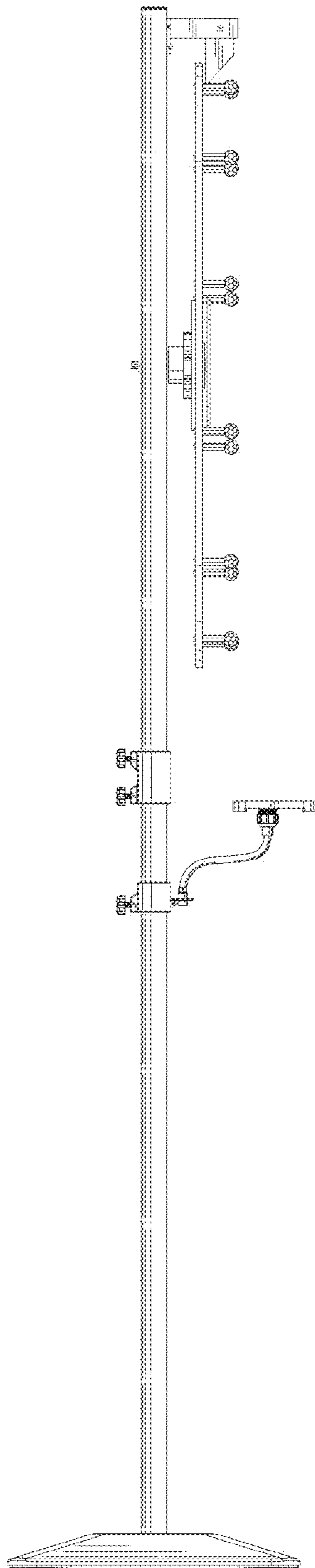


FIG.5

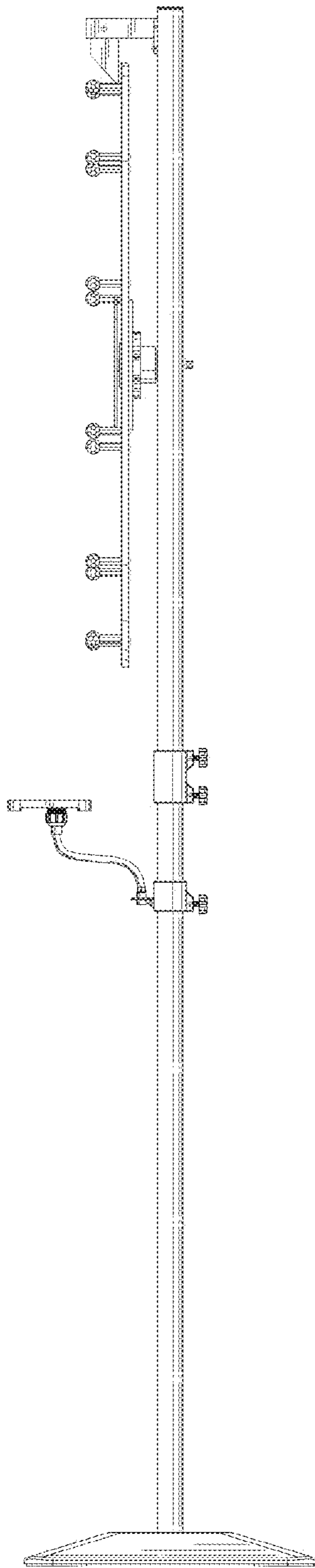


FIG.6

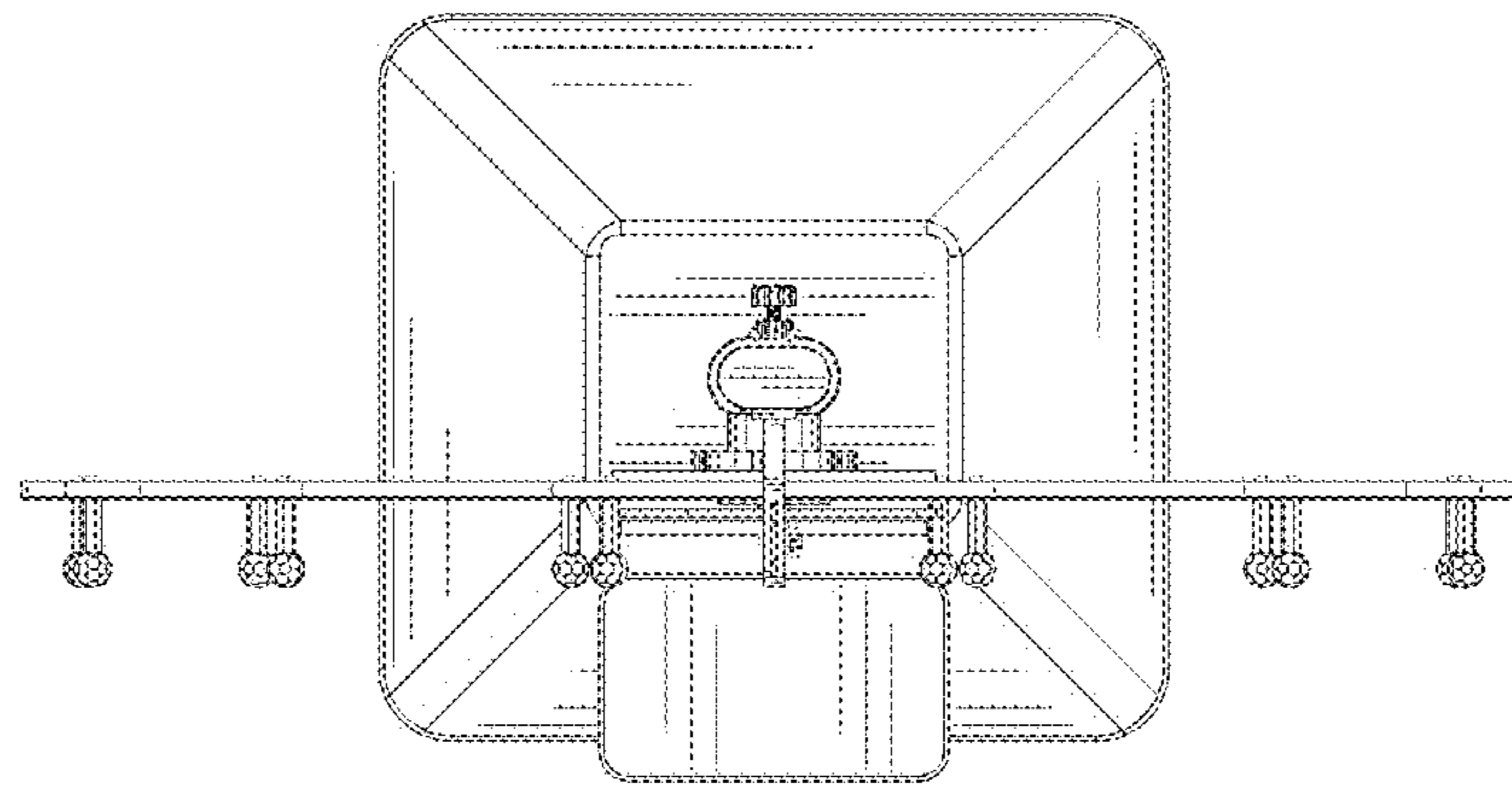


FIG. 7

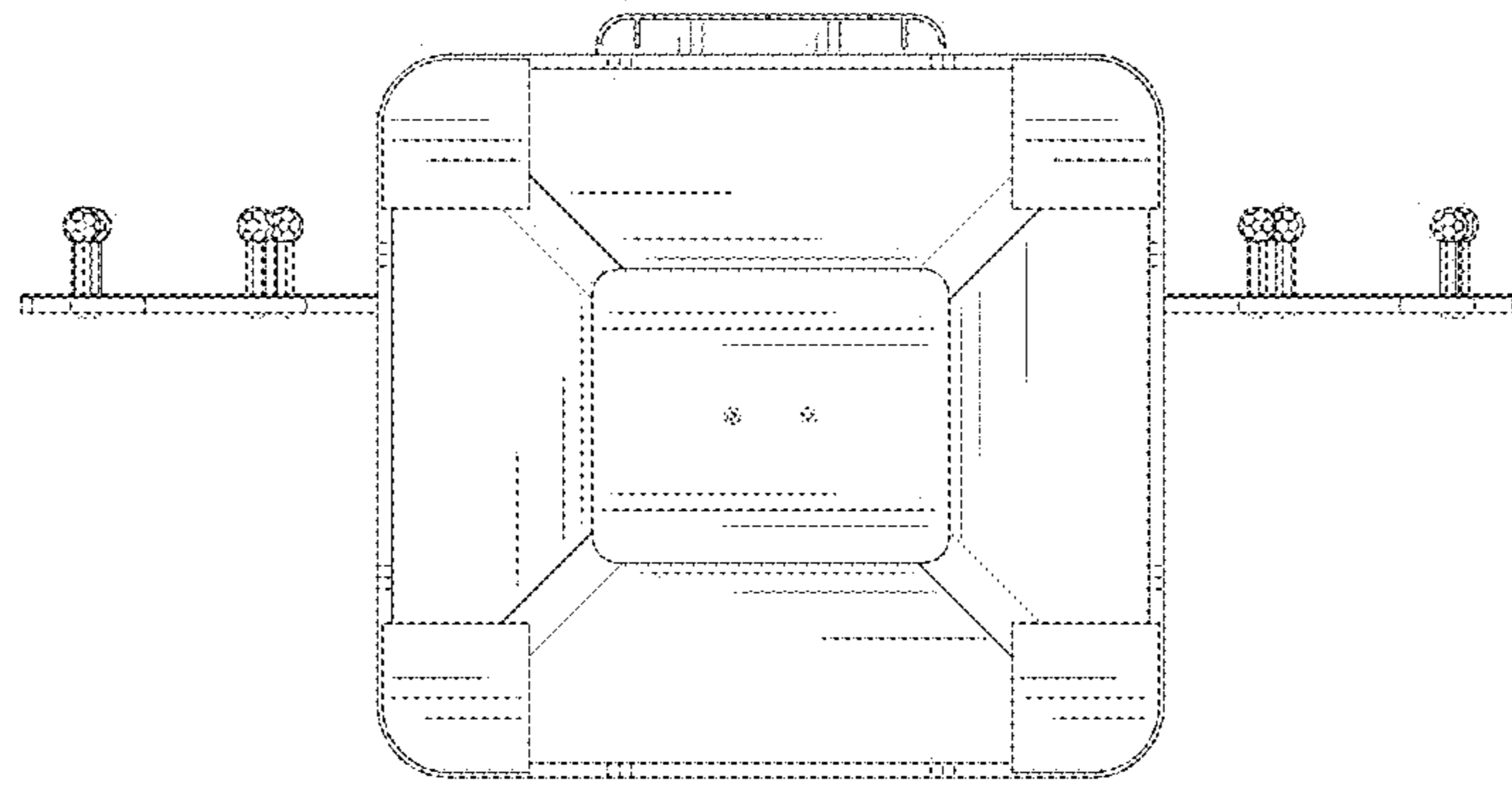


FIG.8

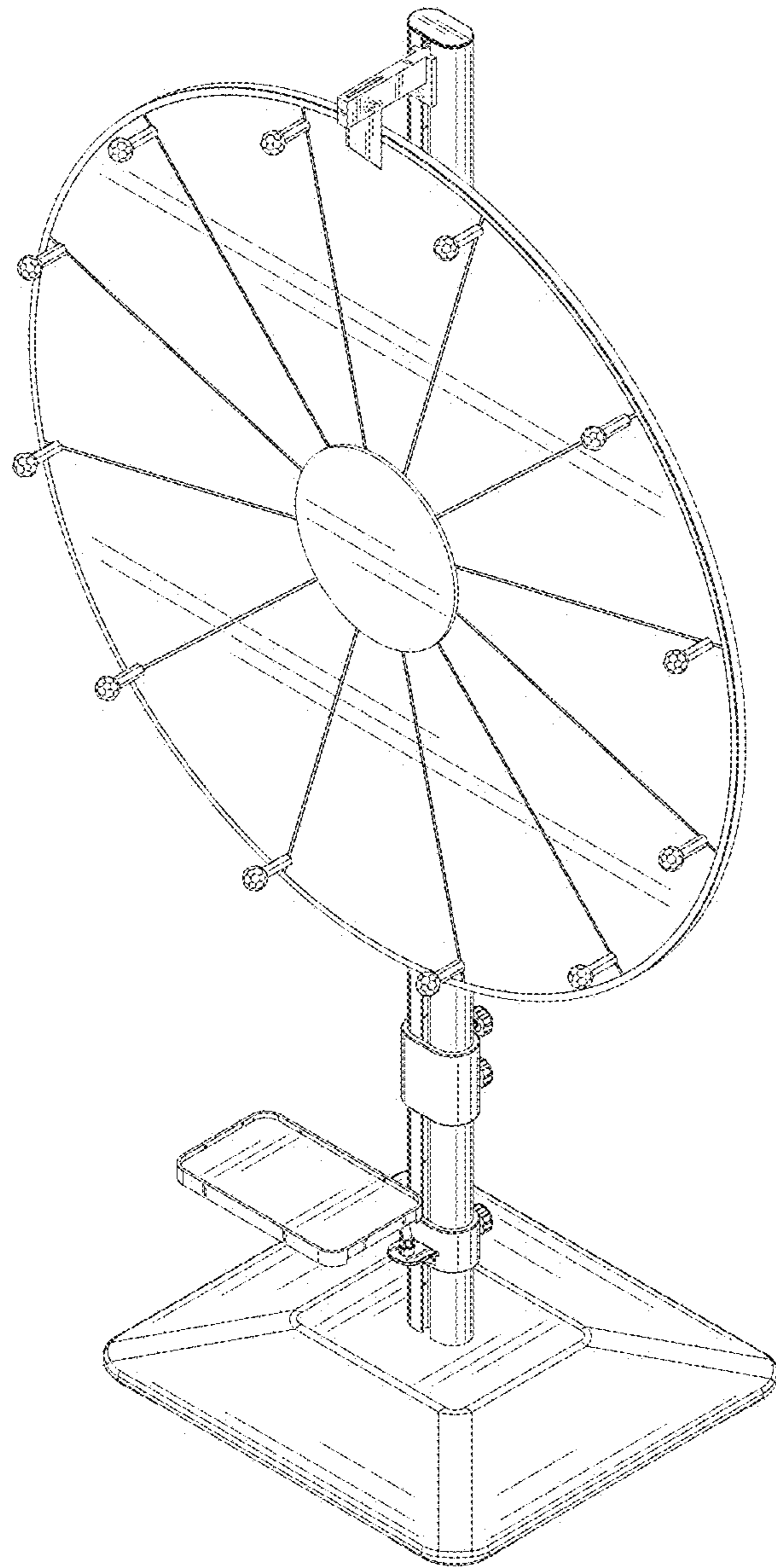


FIG. 9