



US00D982662S

(12) **United States Design Patent**  
**Wong**

(10) **Patent No.:** **US D982,662 S**

(45) **Date of Patent:** **\*\* Apr. 4, 2023**

- (54) **SIGN**
- (71) Applicant: **Thaddeus J. Wong**, Chicago, IL (US)
- (72) Inventor: **Thaddeus J. Wong**, Chicago, IL (US)
- (\*\*) Term: **15 Years**
- (21) Appl. No.: **29/757,011**
- (22) Filed: **Nov. 2, 2020**
- (51) **LOC (14) Cl.** ..... **20-03**
- (52) **U.S. Cl.**  
USPC ..... **D20/41; D20/10**
- (58) **Field of Classification Search**  
USPC ..... D5/8; D6/300, 303, 657, 672, 673;  
D10/104.1, 104.2, 109.1, 109.2;  
D13/102; D14/126, 371, 374; D20/10,  
D20/11, 18, 19, 22, 28, 27, 31, 32, 39,  
D20/40, 41, 42, 99  
CPC ..... G09F 13/18; G09F 2013/184; G09F  
2013/1872; G09F 2013/1877; G09F  
13/20; G09F 13/22; G09F 13/02; G09F  
7/00; G09F 2007/007; G09F 7/02; G09F  
9/00; G09F 19/00; G09F 15/00; G09F  
15/0006; G09F 15/0037  
See application file for complete search history.

- (56) **References Cited**  
U.S. PATENT DOCUMENTS  
1,851,323 A \* 3/1932 Pinney ..... G09F 15/0006  
40/624  
4,658,527 A \* 4/1987 Pingel ..... G09F 7/22  
40/607.01  
4,784,205 A \* 11/1988 Johnson ..... A47G 5/00  
160/351  
4,817,319 A \* 4/1989 Vitale ..... E01F 9/658  
40/610  
4,894,937 A \* 1/1990 Davis ..... G09F 7/18  
248/248  
4,916,840 A \* 4/1990 Getz ..... G09F 7/20  
40/607.05

- 5,042,183 A \* 8/1991 Kennedy ..... G09F 7/18  
248/156
- 5,083,390 A \* 1/1992 Edman ..... G09F 7/18  
40/607.1
- 5,181,335 A \* 1/1993 Todd ..... G09F 7/18  
40/611.12
- 5,431,210 A \* 7/1995 Nelson ..... G09F 15/0068  
211/182
- 5,682,696 A \* 11/1997 Gill ..... G09F 7/12  
248/156
- 6,009,652 A \* 1/2000 Smith ..... G09F 7/22  
40/611.12
- 6,547,204 B1 \* 4/2003 Peck ..... G09F 7/18  
248/545
- D503,749 S \* 4/2005 Crawford ..... D20/41
- D537,123 S \* 2/2007 Thomas ..... D20/41

(Continued)

*Primary Examiner* — Catherine Ho  
(74) *Attorney, Agent, or Firm* — Latimer LeVay Fyock  
LLC

(57) **CLAIM**

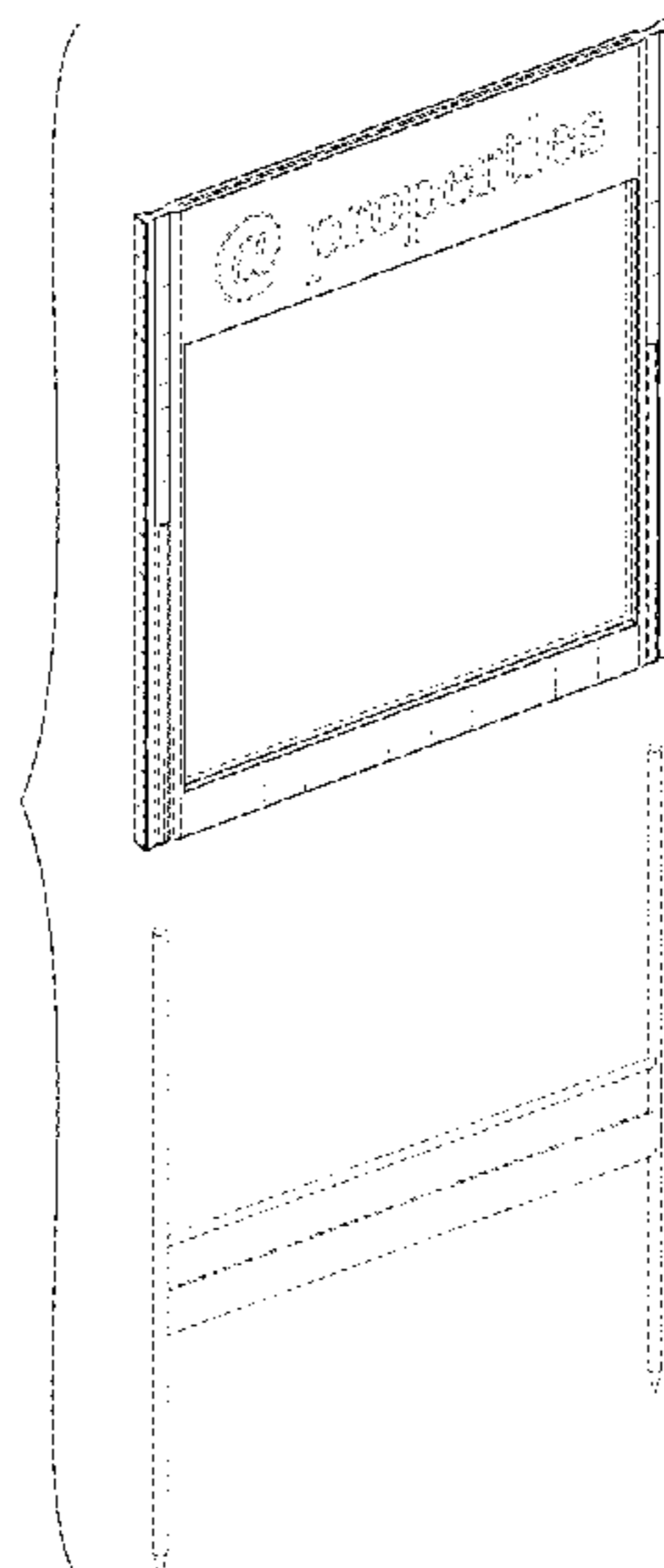
I claim the ornamental design of the sign, as shown and described.

**DESCRIPTION**

FIG. 1 is a front exploded perspective view of a sign shown in an environment of use, showing my new design; FIG. 2 is a bottom perspective view of a sign ; FIG. 3 is a front elevational view of FIG. 1; FIG. 4 is a rear elevational view of FIG. 1; FIG. 5 is a left side elevational view of FIG. 1; FIG. 6 is a right side elevational of FIG. 1; FIG. 7 is a top plan view of the sign; FIG. 8 is a bottom plan view of the sign; and, FIG. 9 is an enlarged detailed view of encircled area 9 in FIG. 2.

The broken lines in the drawings show environment that form no part of the claimed design.

**1 Claim, 6 Drawing Sheets**



(56)

**References Cited**

U.S. PATENT DOCUMENTS

D537,884 S \* 3/2007 Huenefeld ..... D20/29  
D546,395 S \* 7/2007 Pederson ..... D20/41  
7,266,918 B2 \* 9/2007 Huenefeld ..... G09F 15/0006  
40/604  
7,437,844 B1 \* 10/2008 Kennedy ..... G09F 15/00  
40/607.05  
D582,485 S \* 12/2008 Glass, Jr. .... D20/43  
7,726,657 B2 \* 6/2010 Shalosky ..... F41J 1/10  
40/607.06  
8,984,783 B2 \* 3/2015 Cepek ..... G09F 7/22  
40/607.05  
10,867,529 B2 \* 12/2020 Huenefeld ..... G09F 19/228  
D968,503 S \* 11/2022 Chen ..... D16/241  
2006/0101690 A1 \* 5/2006 Terbet ..... G09F 15/0006  
40/607.09  
2006/0143960 A1 \* 7/2006 Gnas ..... G09F 7/002  
40/607.01  
2021/0383726 A1 \* 12/2021 Wong ..... G09F 7/18

\* cited by examiner

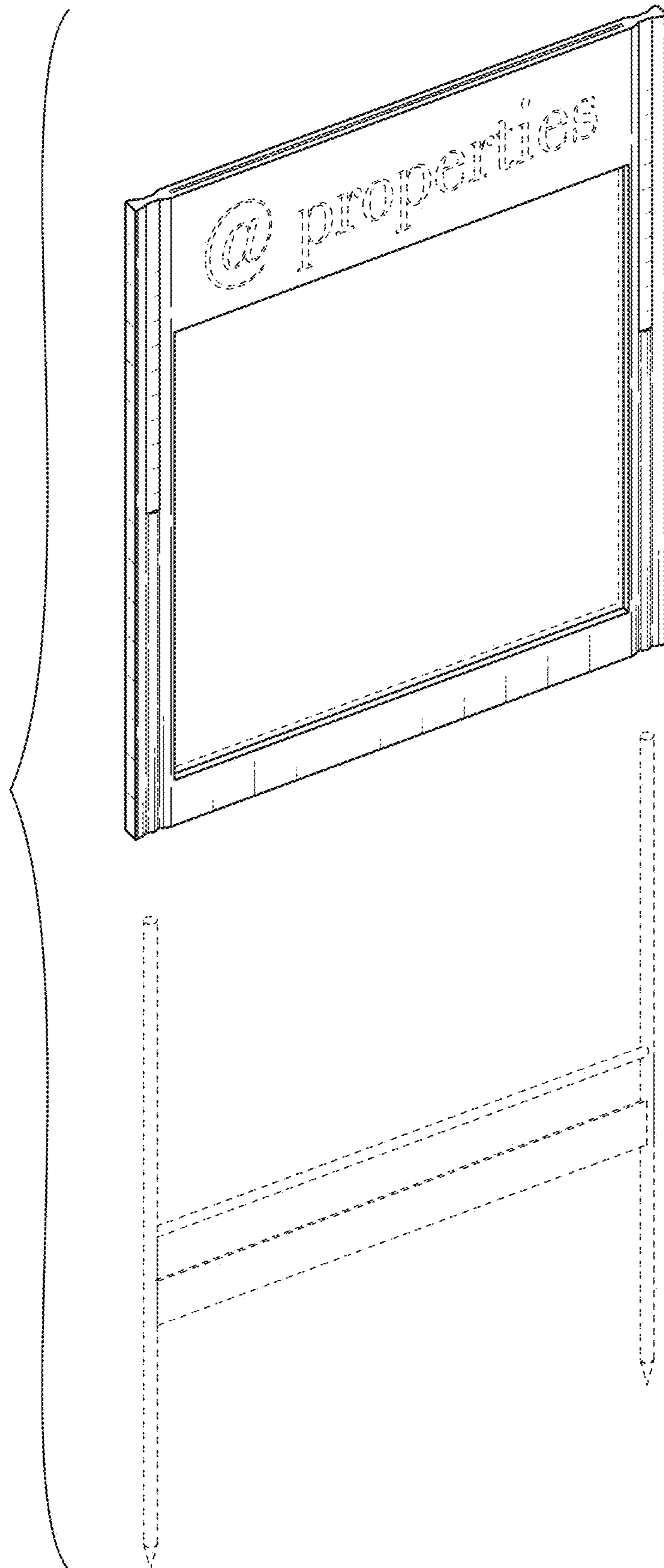


FIG. 1

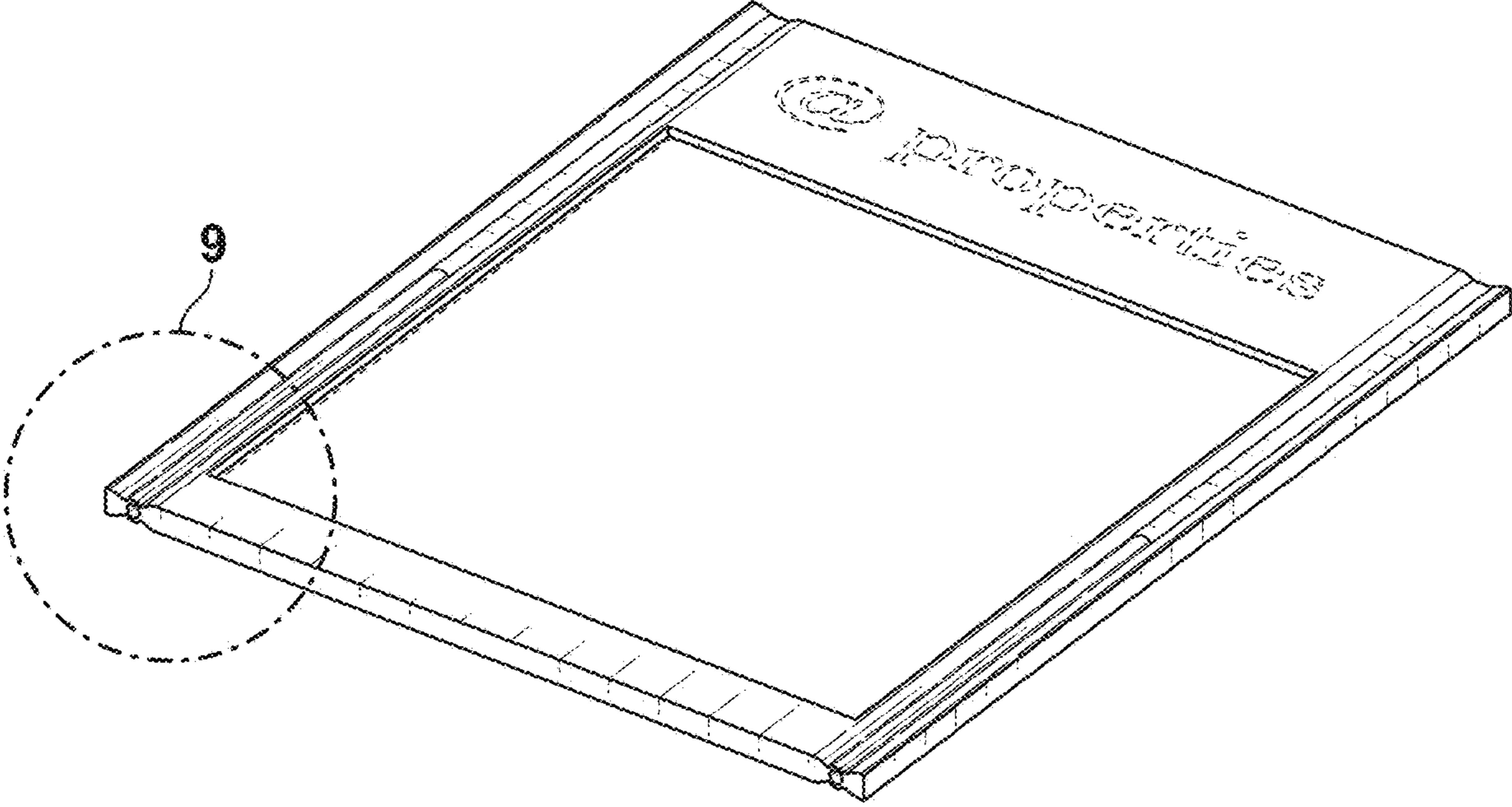


FIG. 2

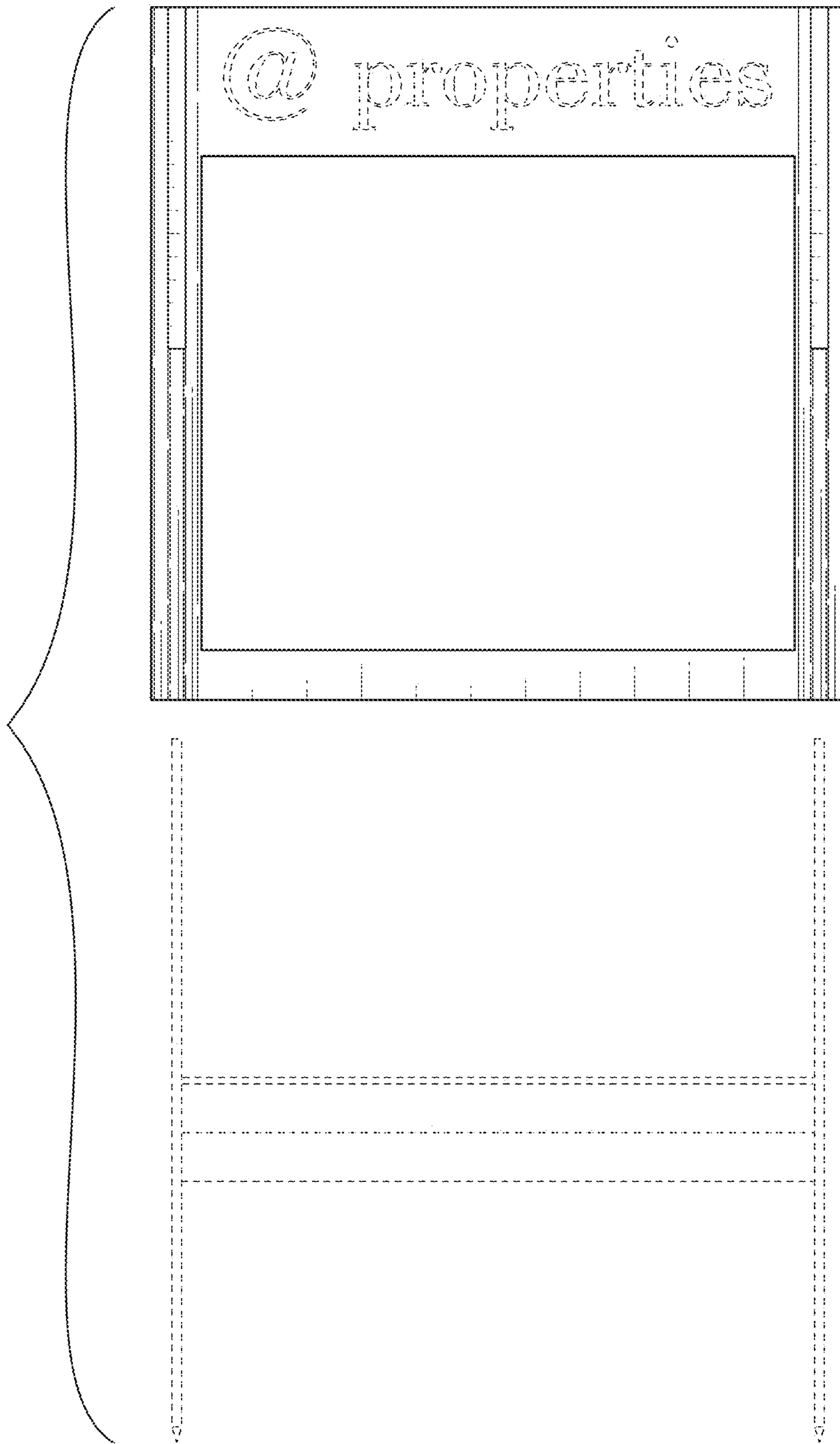


FIG. 3



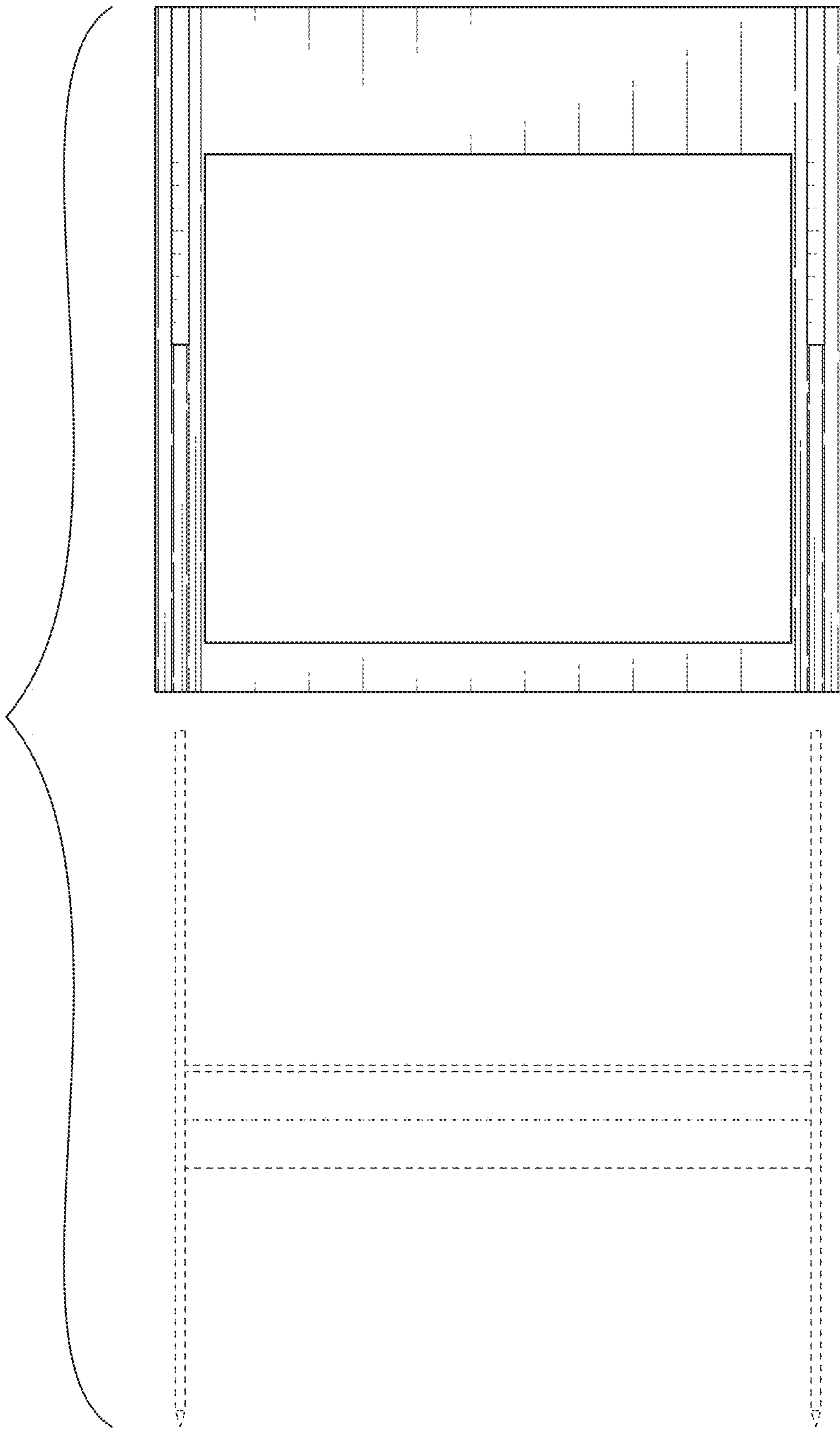


FIG. 4

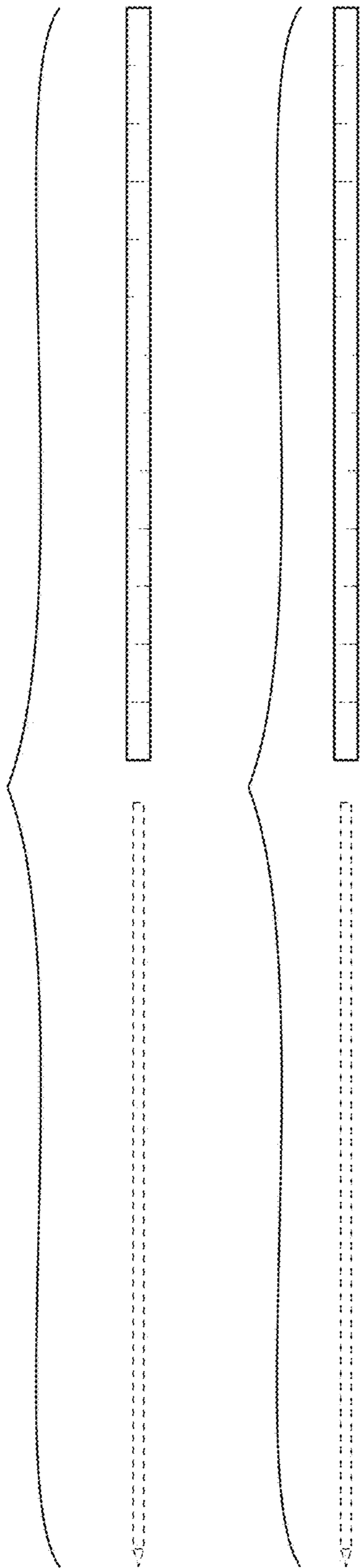


FIG. 5

FIG. 6

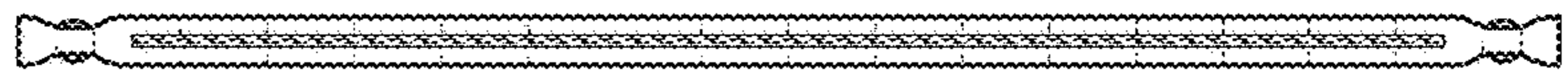


FIG. 7

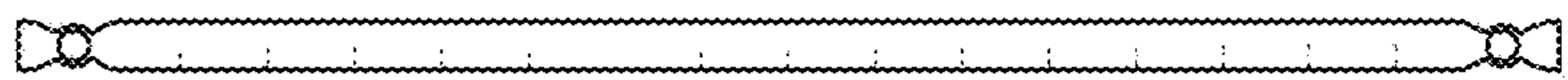


FIG. 8

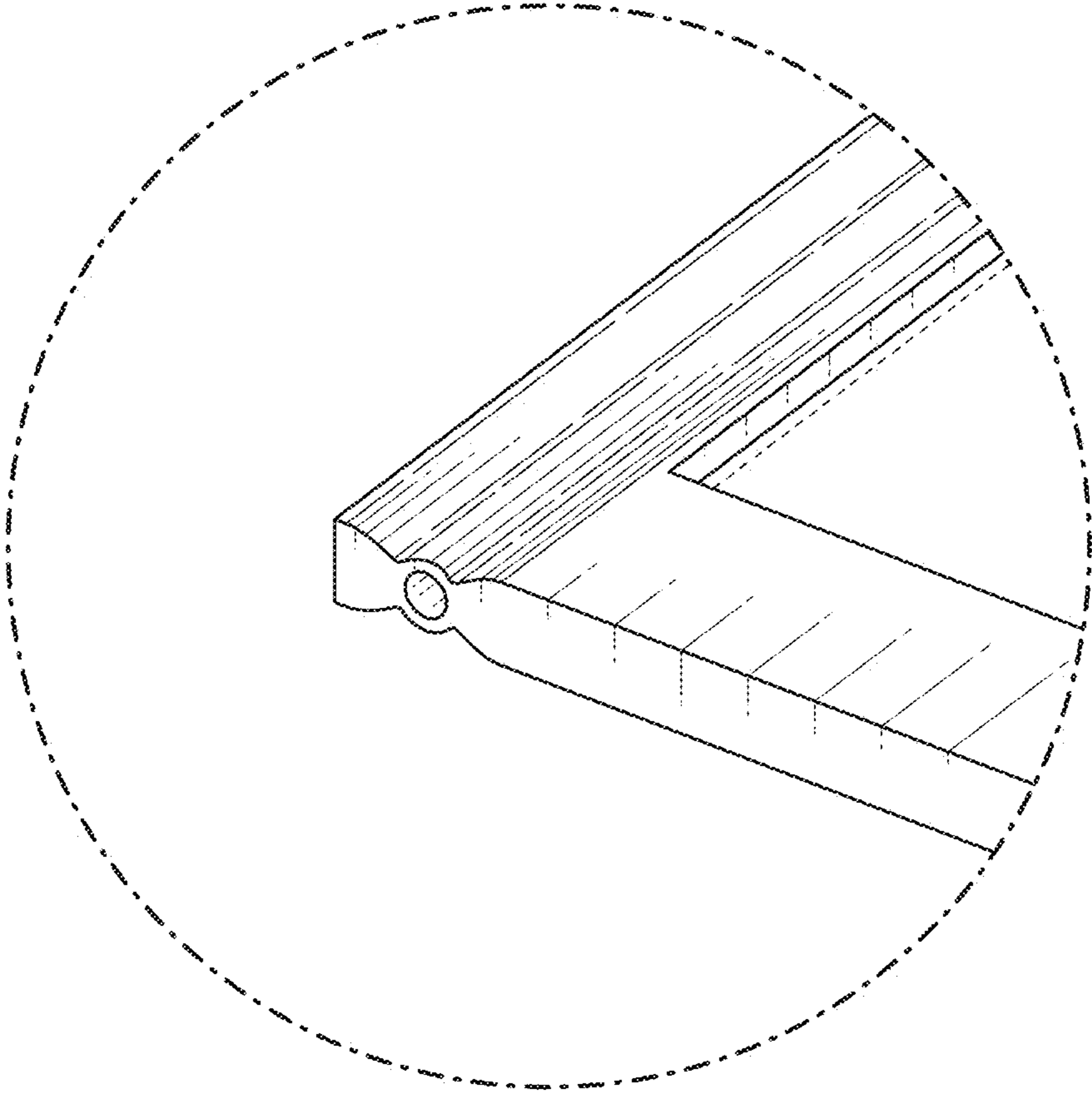


FIG. 9