



US00D982661S

(12) **United States Design Patent**  
**Kuroda et al.**

(10) **Patent No.:** **US D982,661 S**

(45) **Date of Patent:** **\*\* Apr. 4, 2023**

(54) **IMPRINTER FOR SCANNER**  
(71) Applicant: **PFU Limited**, Kahoku (JP)  
(72) Inventors: **Satoshi Kuroda**, Kahoku (JP); **Seisuke Tsurumi**, Kahoku (JP)

D382,256 S \* 8/1997 Lin ..... D18/50  
D407,740 S \* 4/1999 Ina ..... D18/53  
D412,520 S \* 8/1999 Krastel ..... D14/421  
D497,940 S \* 11/2004 Hwang ..... D18/50  
D645,897 S \* 9/2011 Chuang ..... D18/50

(Continued)

(73) Assignee: **PFU Limited**  
(\*\*) Term: **15 Years**

**FOREIGN PATENT DOCUMENTS**

CN 305938793 \* 7/2020  
JP 1476565 S 8/2013

(Continued)

(21) Appl. No.: **29/774,518**

(22) Filed: **Mar. 17, 2021**

**OTHER PUBLICATIONS**

Fujitsu Imprinter, Tineye, dexx.com.cy, date published Jan. 5, 2017, date retrieved Jul. 11, 2022—29774518—[https://tineye.com/search/d9886d61dee2b88154ac5dec6543683fd41bd8?sort=crawl\\_date&order=asc&page=1](https://tineye.com/search/d9886d61dee2b88154ac5dec6543683fd41bd8?sort=crawl_date&order=asc&page=1) (Year: 2017).\*

(Continued)

(30) **Foreign Application Priority Data**

Nov. 13, 2020 (JP) ..... 2020-024453

(51) **LOC (14) Cl.** ..... **18-02**

(52) **U.S. Cl.**  
USPC ..... **D18/50**

(58) **Field of Classification Search**  
USPC ..... D15/122, 135, 138; D14/314, 432;  
D18/40, 43, 46, 47, 48, 50, 53, 54, 55, 56  
CPC . G06T 2207/30196; G06T 2207/30242; G06T  
7/70; G06F 3/126; G06F 3/1284  
See application file for complete search history.

*Primary Examiner* — Nicole C Shiflet  
*Assistant Examiner* — Danielle Nichole Bowly  
(74) *Attorney, Agent, or Firm* — RatnerPrestia

(57) **CLAIM**

The ornamental design for an imprinter for scanner, as shown and described.

**DESCRIPTION**

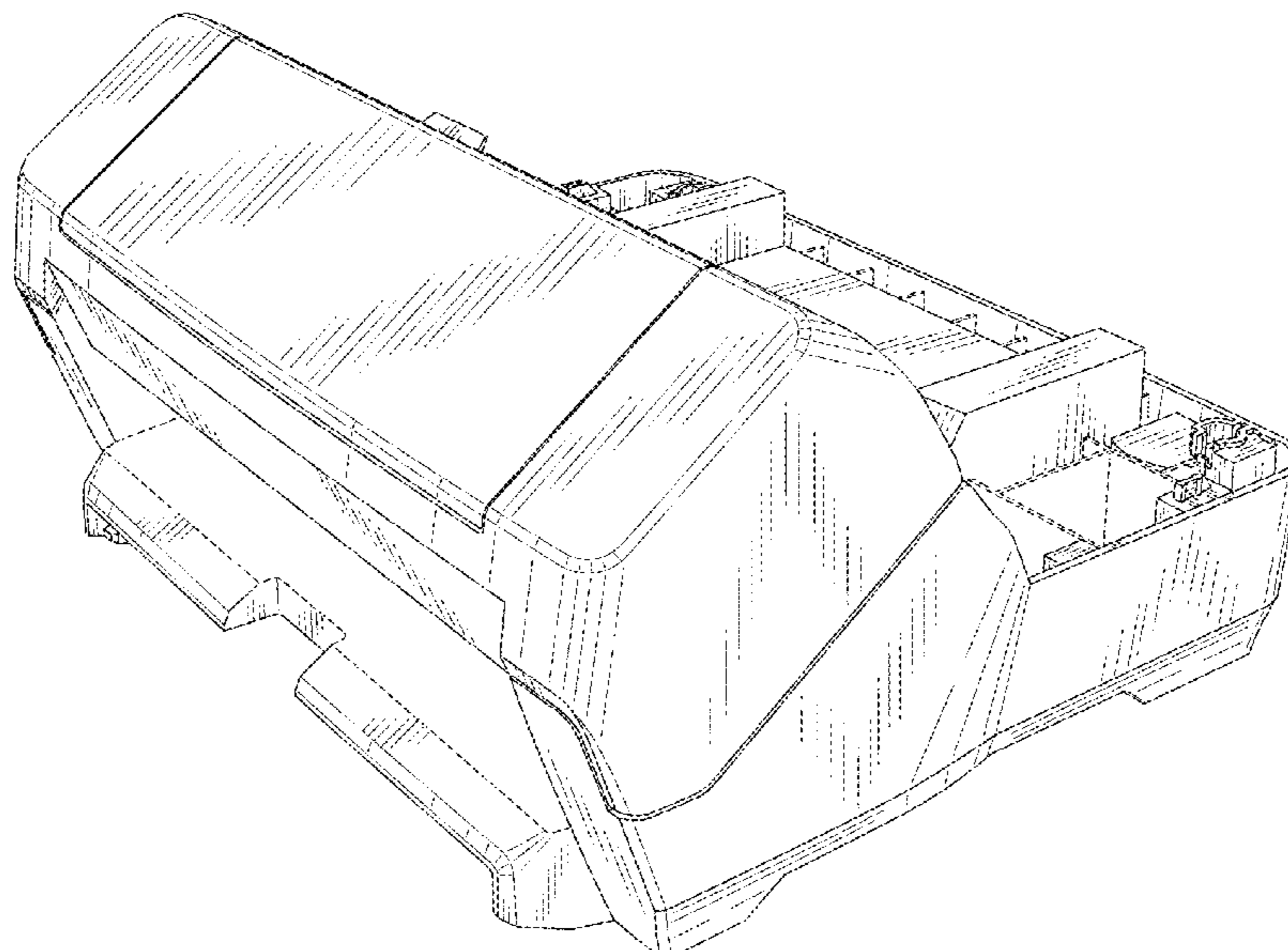
(56) **References Cited**

**U.S. PATENT DOCUMENTS**

D258,959 S \* 4/1981 Clayton ..... D18/54  
4,423,679 A \* 1/1984 Maul, Sr. .... B41L 19/00  
101/269  
D275,403 S \* 9/1984 Kubo ..... D18/14  
D293,681 S \* 1/1988 Yamada ..... D18/54  
D318,066 S \* 7/1991 Moro ..... D18/54  
D332,621 S \* 1/1993 Sugawara ..... D18/55  
D333,836 S \* 3/1993 Kelemen ..... D18/55  
D344,754 S \* 3/1994 Parsey ..... D18/49  
D369,181 S \* 4/1996 Kobayashi ..... D18/55  
D371,158 S \* 6/1996 Yoshida ..... D18/50

FIG. 1 is a perspective view of an imprinter for scanner showing our new design;  
FIG. 2 is a front view thereof;  
FIG. 3 is a rear view thereof;  
FIG. 4 is a right side view thereof;  
FIG. 5 is a left side view thereof;  
FIG. 6 is a top plan view thereof; and,  
FIG. 7 is a bottom plan view thereof.  
The broken lines in the drawings are for the purpose of illustrating unclaimed portions of the imprinter for scanner and form no part of the claimed design.

**1 Claim, 5 Drawing Sheets**



(56)

**References Cited**

U.S. PATENT DOCUMENTS

D680,157 S \* 4/2013 Umezawa ..... D18/53  
D703,264 S \* 4/2014 Shibuya ..... D18/50  
D795,338 S \* 8/2017 Umezawa ..... D18/53  
D823,937 S \* 7/2018 Ishida ..... D18/50  
D839,955 S \* 2/2019 Shibuya ..... D18/50  
D895,003 S \* 9/2020 Minagawa ..... D18/53  
D943,662 S \* 2/2022 Wang ..... D18/19

FOREIGN PATENT DOCUMENTS

JP 1549838 S 5/2016  
JP 1549839 S 5/2016  
WO D101642-001 \* 12/2018

OTHER PUBLICATIONS

Fujitsu Imprinter, Amazon.com, date published May 29, 2008, date  
retrieved Jul. 11, 2022—29774518—[https://www.amazon.com/  
Fujitsu-PA03484-D201-FI-512PR-Imprinter-Accessory/dp/  
B0006J5AA0](https://www.amazon.com/Fujitsu-PA03484-D201-FI-512PR-Imprinter-Accessory/dp/B0006J5AA0) (Year: 2008).\*

\* cited by examiner

FIG. 1

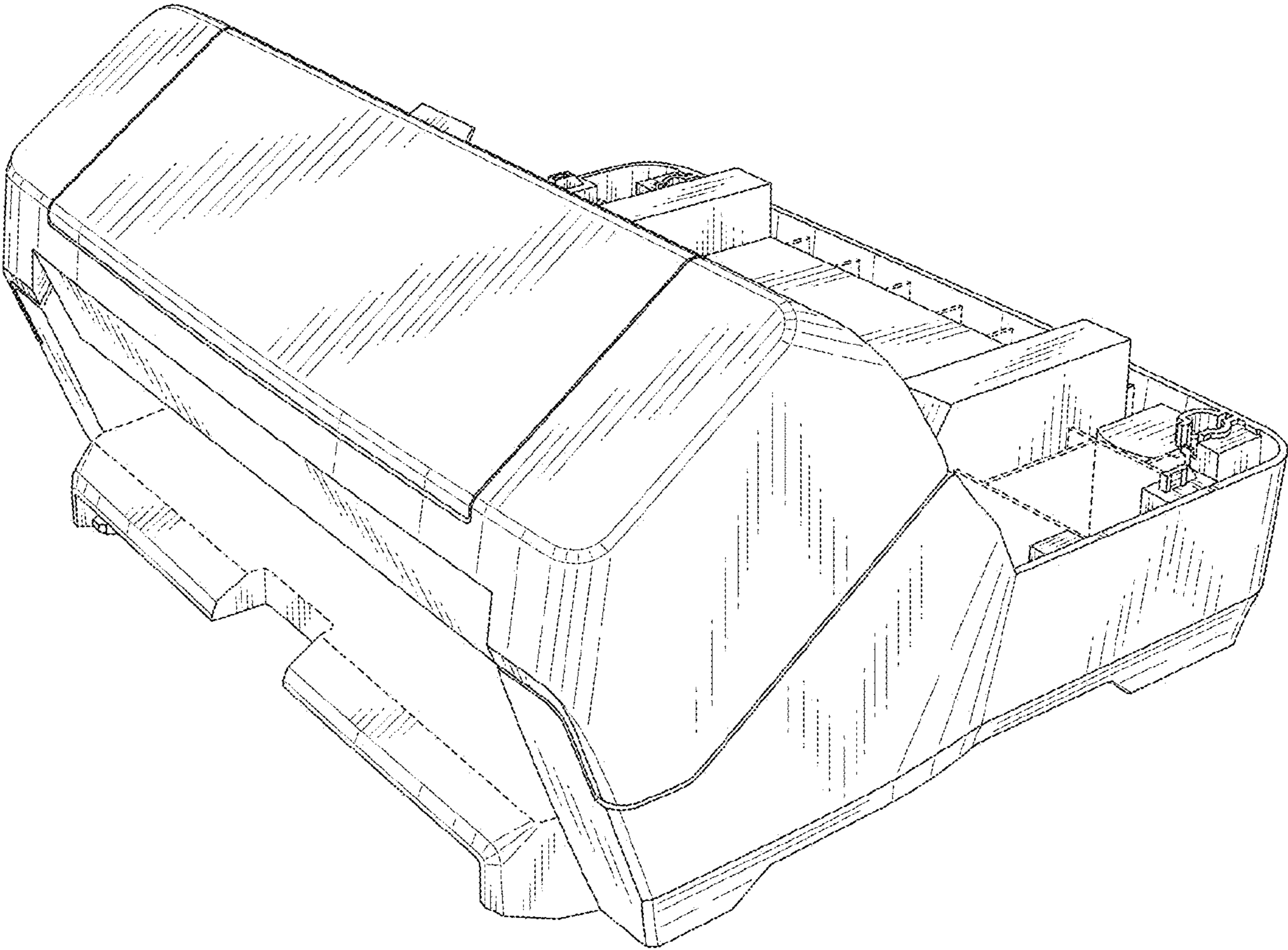


FIG. 2

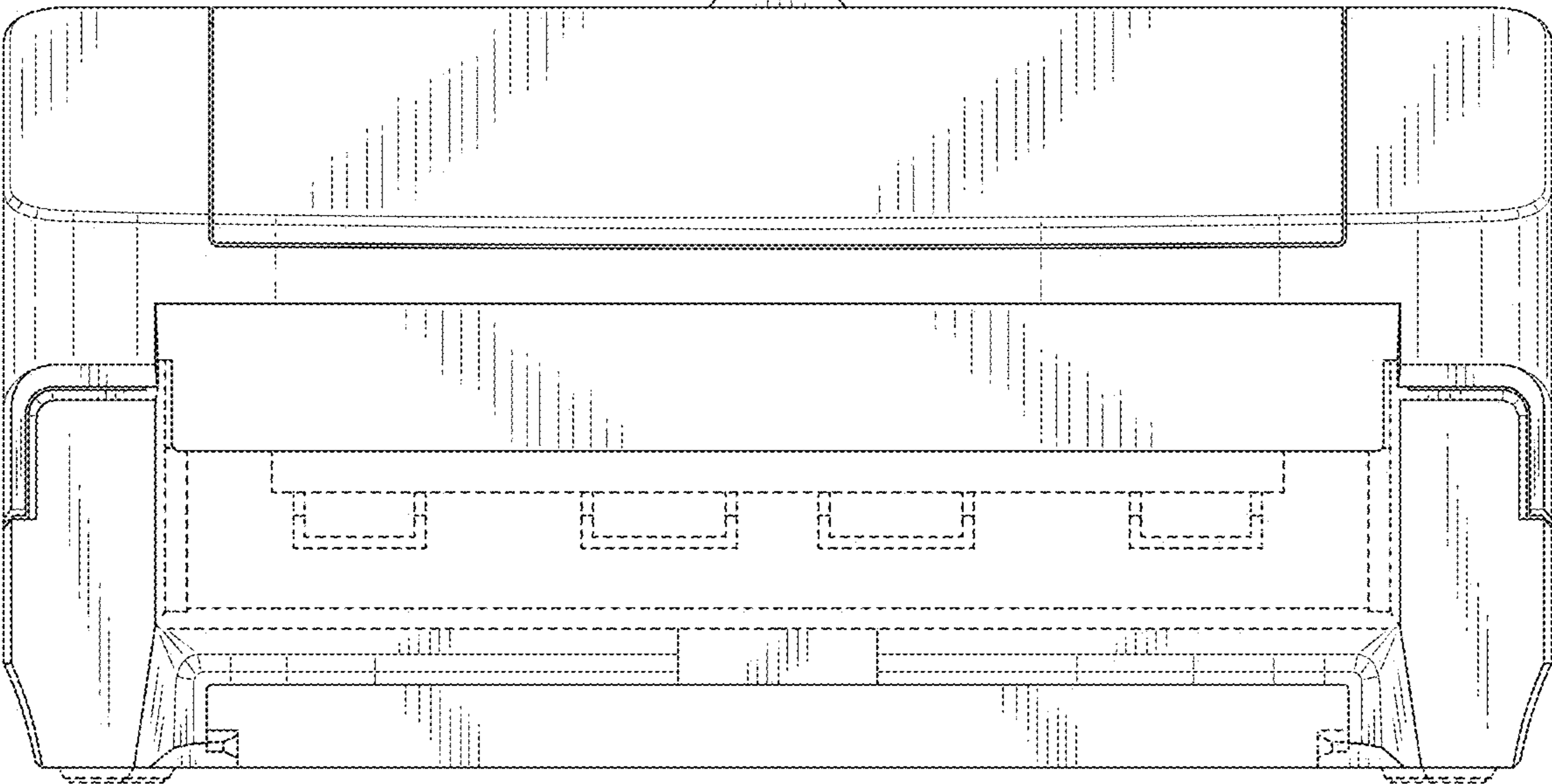


FIG. 3

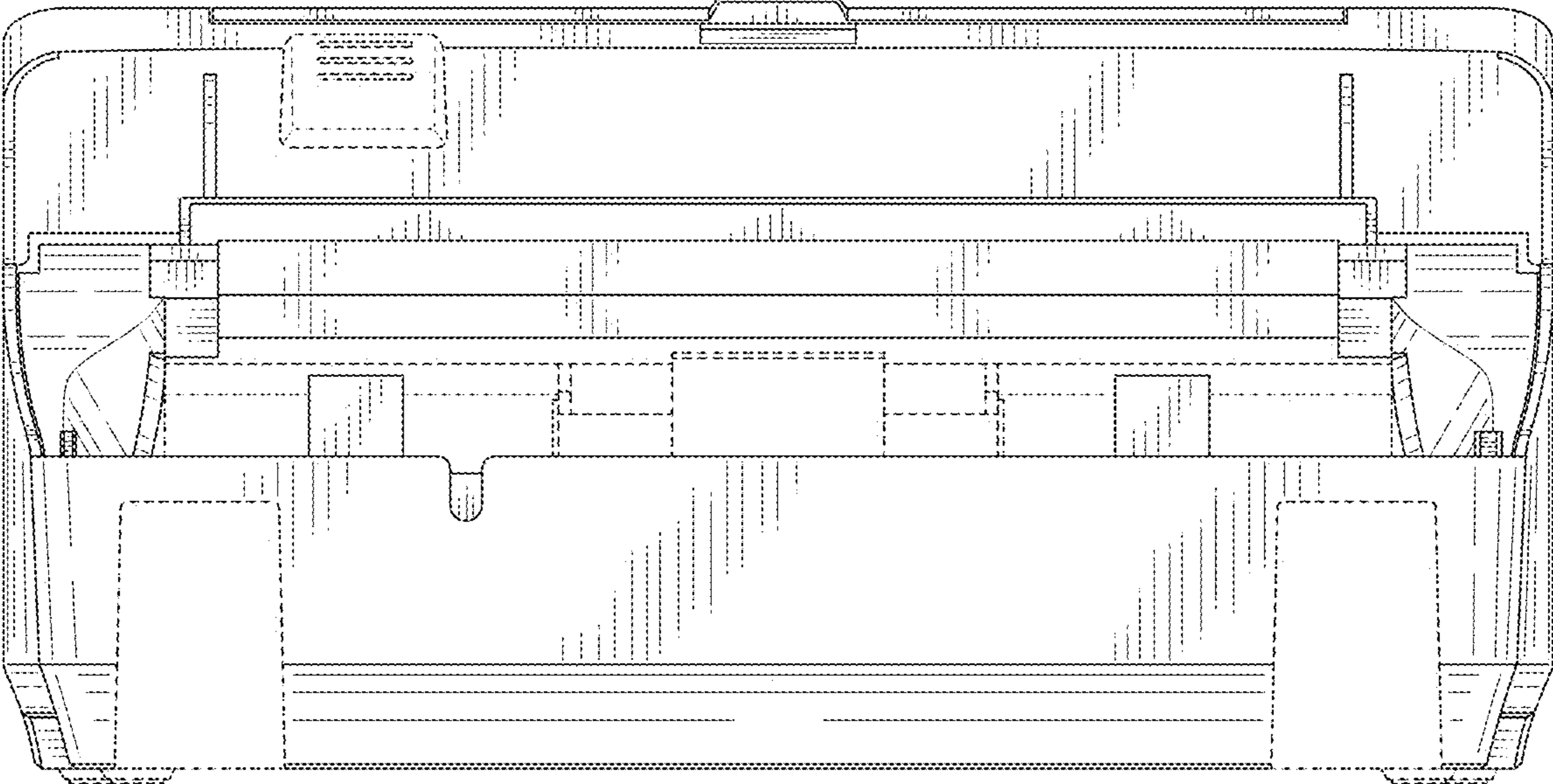


FIG. 4

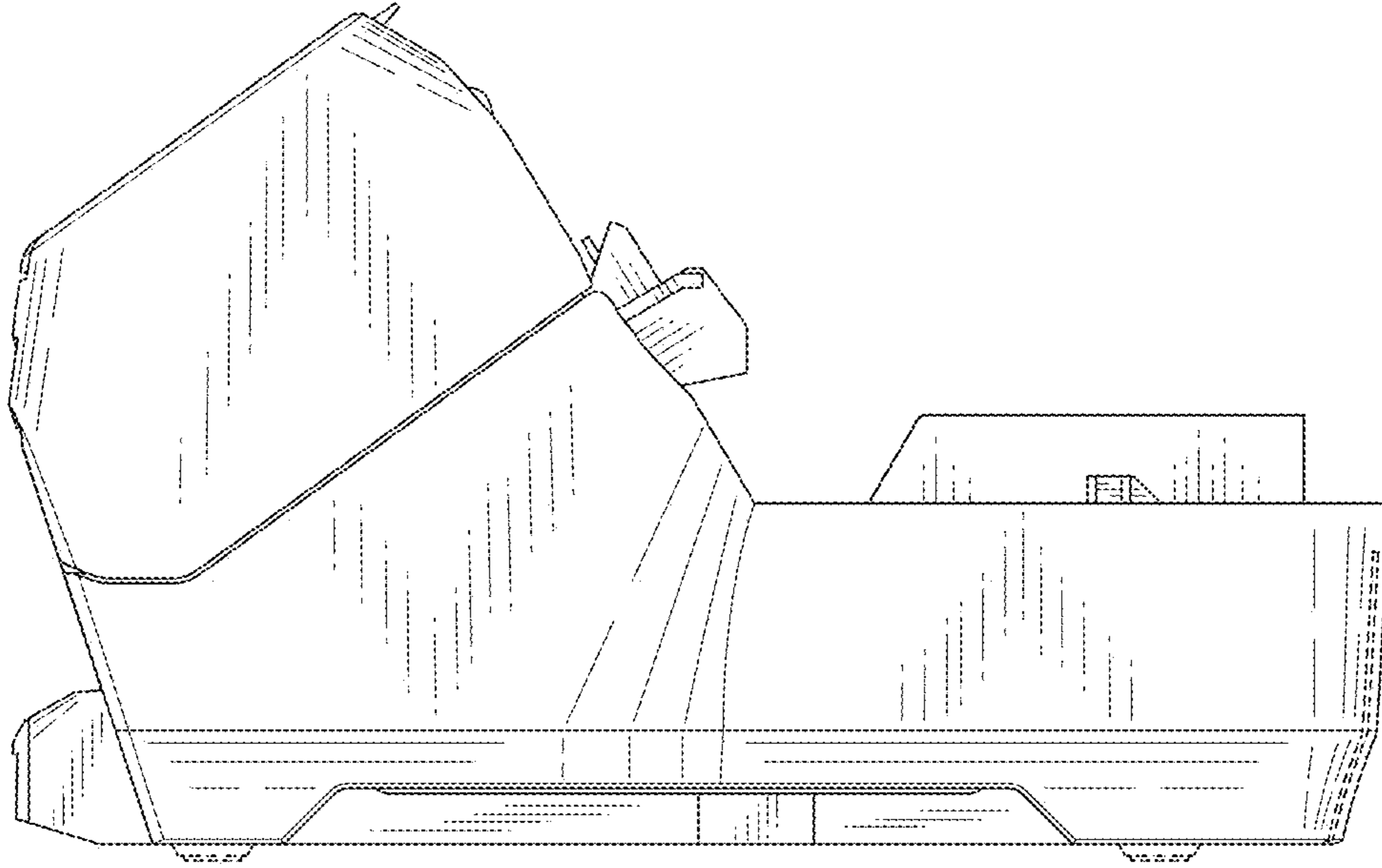


FIG. 5

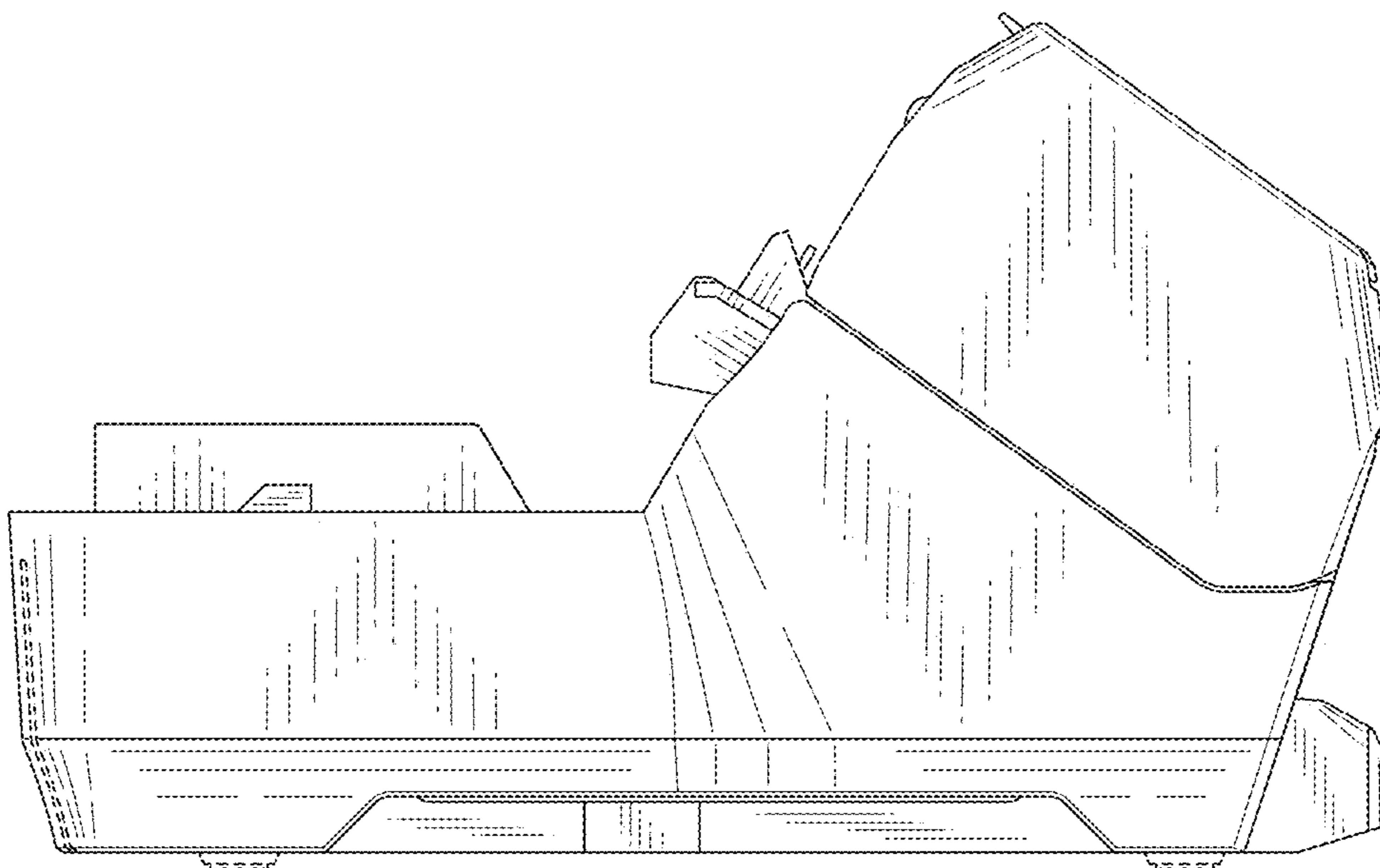


FIG. 6

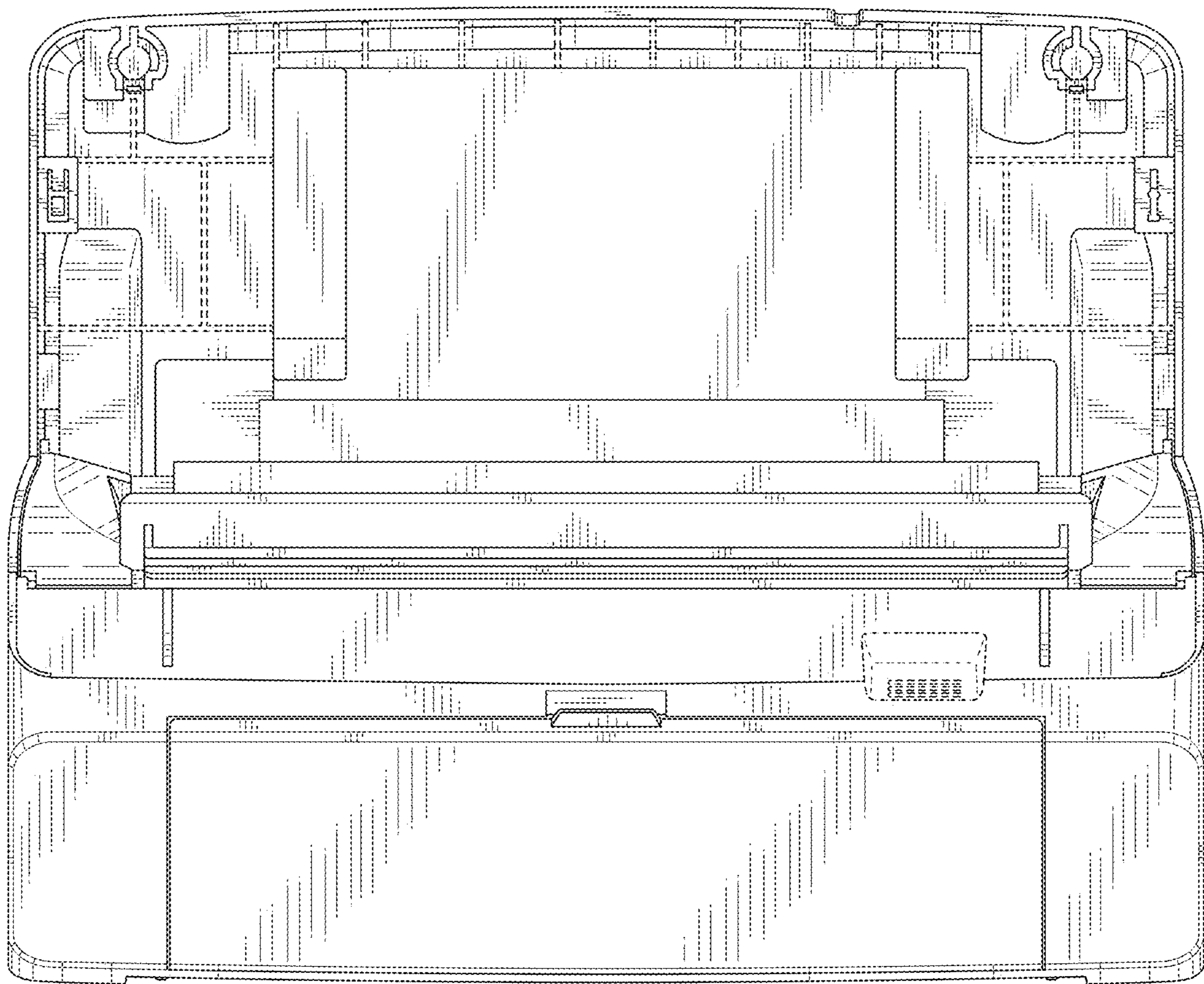


FIG. 7

