



US00D982659S

(12) **United States Design Patent**  
**Zhong**

(10) **Patent No.:** **US D982,659 S**

(45) **Date of Patent:** **\*\* Apr. 4, 2023**

(54) **LABEL PRINTER**

D950,638 S \* 5/2022 Zhong ..... D18/19  
D958,875 S \* 7/2022 Aida ..... D18/14  
D959,547 S \* 8/2022 Tanino ..... D18/50

(71) Applicant: **Xiaoqin Zhong**, Fujian (CN)

(72) Inventor: **Xiaoqin Zhong**, Fujian (CN)

(\*) Notice: Patent file contains an affidavit/declaration under 37 CFR 1.130(b).

(\*\*) Term: **15 Years**

(21) Appl. No.: **29/839,738**

(22) Filed: **May 24, 2022**

(51) **LOC (14) Cl.** ..... **18-99**

(52) **U.S. Cl.**  
USPC ..... **D18/19**

(58) **Field of Classification Search**  
USPC ..... D18/12, 14-19, 36-41, 50, 45, 54, 55,  
D18/53, 56; D19/65, 66, 67, 68, 69, 70,  
D19/71; D14/301, 307, 121  
CPC ..... H04N 1/00204; H04N 1/00249; H04N  
1/00278; G06K 15/12; G06K 15/14; B41J  
3/00; B41J 3/28; B41J 3/445; B41J 3/46;  
B41J 2/3358; B41J 3/36; B41J 3/382;  
B41J 3/39; B41J 11/0045  
See application file for complete search history.

(56) **References Cited**

**U.S. PATENT DOCUMENTS**

D356,828 S \* 3/1995 Harris ..... D9/566  
D456,443 S \* 4/2002 Igarashi ..... D18/50  
D556,253 S \* 11/2007 Hong ..... D18/50  
D685,413 S \* 7/2013 Jihoon ..... D18/50  
D691,656 S \* 10/2013 Merrill ..... D19/60  
D740,358 S \* 10/2015 Kang ..... D18/14  
D799,590 S \* 10/2017 Dwyer ..... D18/50  
D876,536 S \* 2/2020 Shirley ..... D18/50  
D900,214 S 10/2020 Sun  
D944,314 S \* 2/2022 Sun ..... D18/19  
D946,650 S \* 3/2022 Yang ..... D18/19

**FOREIGN PATENT DOCUMENTS**

CN 304801074 \* 9/2018  
CN 306739108 \* 8/2021  
CN 306950849 \* 11/2021  
CN 306965408 \* 11/2021  
CN 307339063 \* 5/2022  
CN 307350089 \* 5/2022  
CN 307454174 \* 7/2022

**OTHER PUBLICATIONS**

Amazon. Link: <https://www.amazon.com/dp/B09TSDMSHZ/>. Mar. 3, 2022. Marklife label maker. (Year: 2022).\*

(Continued)

*Primary Examiner* — Lauren D McVey

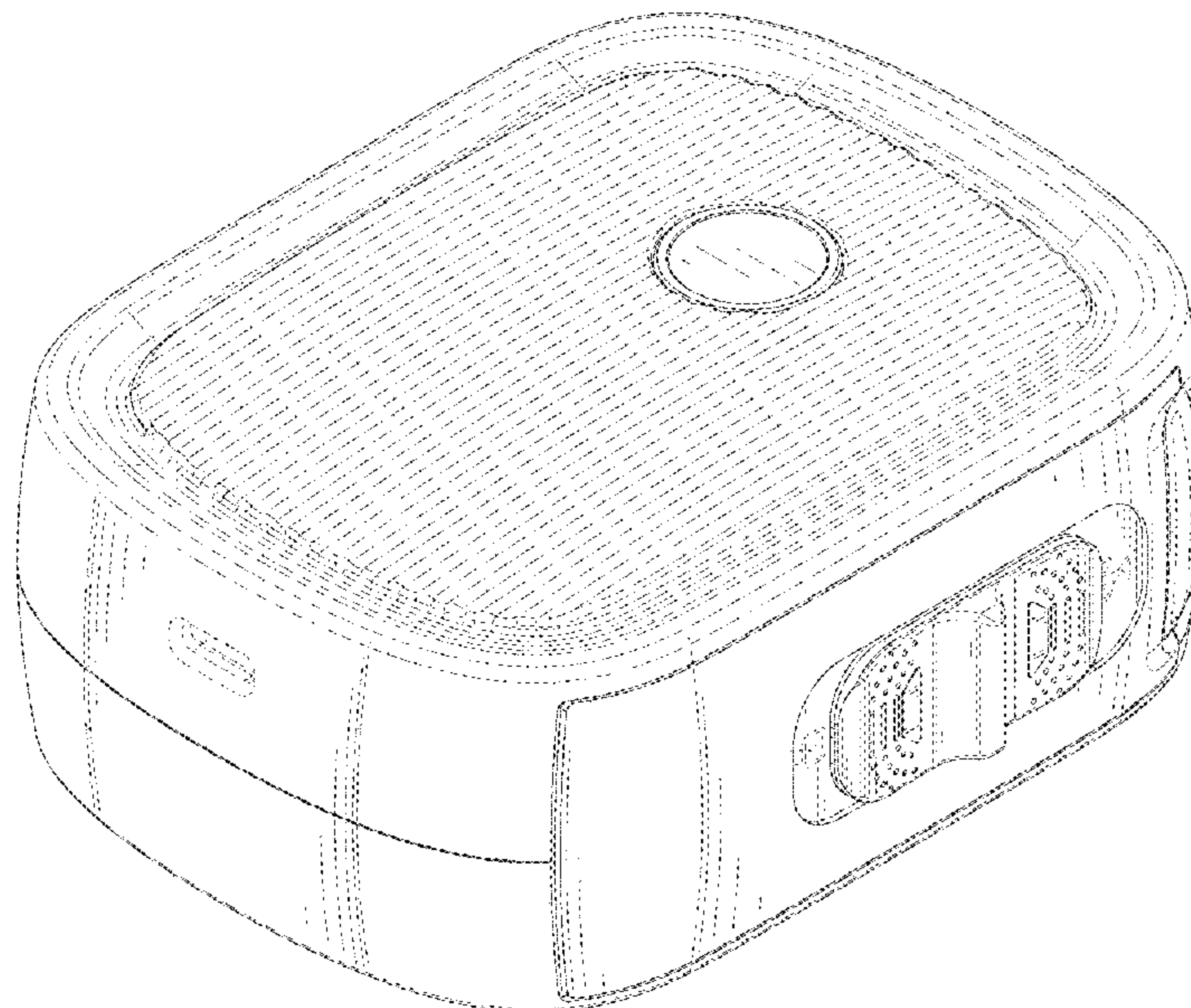
(57) **CLAIM**

The ornamental design for a label printer, as shown and described.

**DESCRIPTION**

FIG. 1 is a front and top perspective view of a label printer, showing my new design;  
FIG. 2 is a rear and bottom perspective view thereof;  
FIG. 3 is a front elevation view thereof;  
FIG. 4 is a rear elevation view thereof;  
FIG. 5 is a left side elevation view thereof;  
FIG. 6 is a right side elevation view thereof;  
FIG. 7 is a top plan view thereof; and,  
FIG. 8 is a bottom plan view thereof.  
The broken lines in the figures illustrate portions of the label printer that form no part of the claimed design.

**1 Claim, 8 Drawing Sheets**



(56)

**References Cited**

OTHER PUBLICATIONS

Amazon. Link: [https://www.amazon.com/dp/B0B2545MTZ/ref=twister\\_B0B63Y4DXL?\\_encoding=UTF8&th=1](https://www.amazon.com/dp/B0B2545MTZ/ref=twister_B0B63Y4DXL?_encoding=UTF8&th=1). May 24, 2022. Label Maker with Tape—Jiose (Year: 2022).\*

Amazon. Link: <https://www.amazon.com/dp/B0B5SLNQ7D/>. Jul. 4, 2022. PRT Label Makers Machine with Tape Built-in Cutter. (Year: 2022).\*

Amazon. Link: [https://www.amazon.com/dp/B075GB1DCV?ref=emc\\_p\\_m\\_6\\_i](https://www.amazon.com/dp/B075GB1DCV?ref=emc_p_m_6_i). Oct. 3, 2017. HP Sprocket 2-in-1 Portable Photo Printer & Instant Camera (Year: 2017).\*

\* cited by examiner

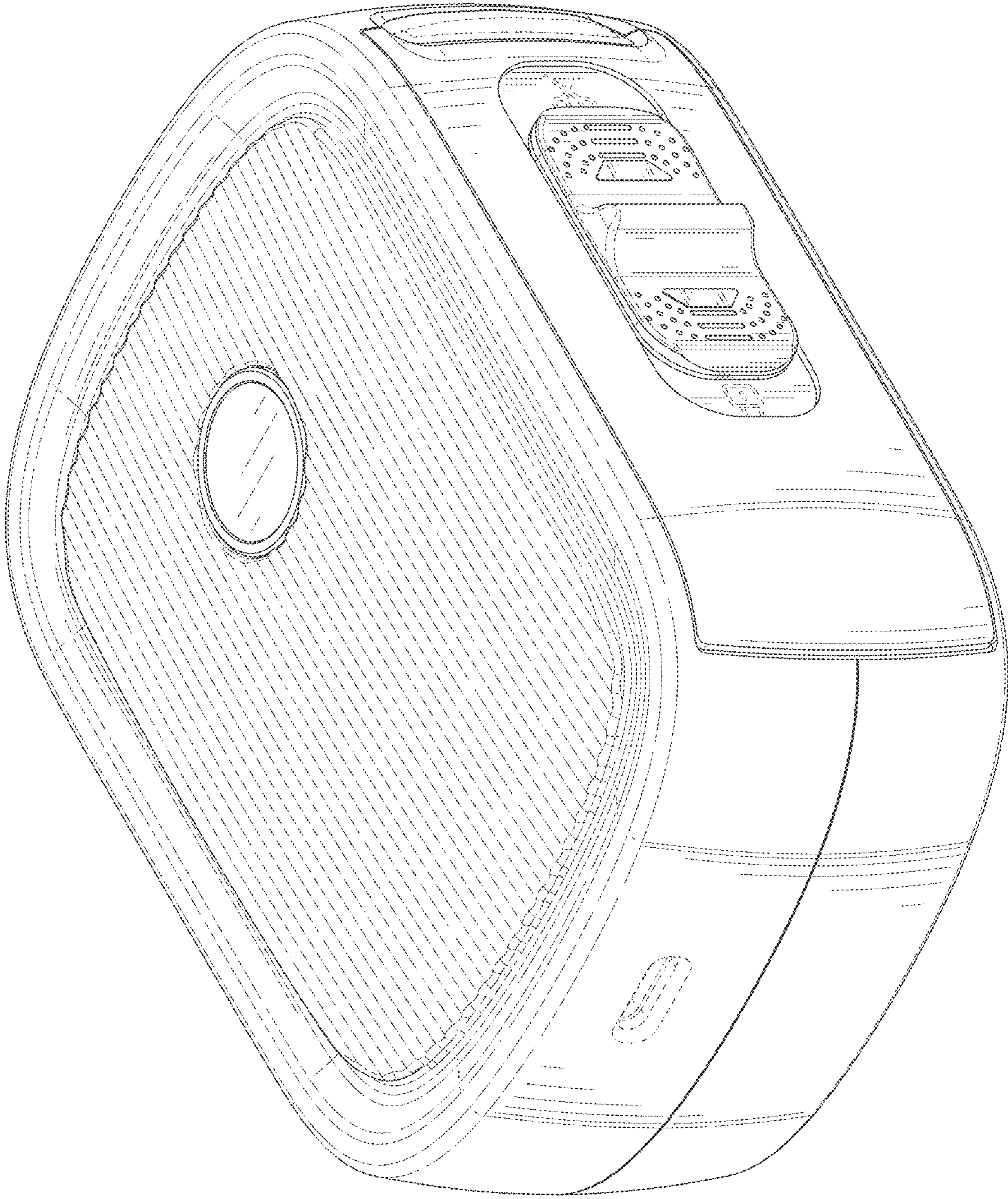


FIG. 1



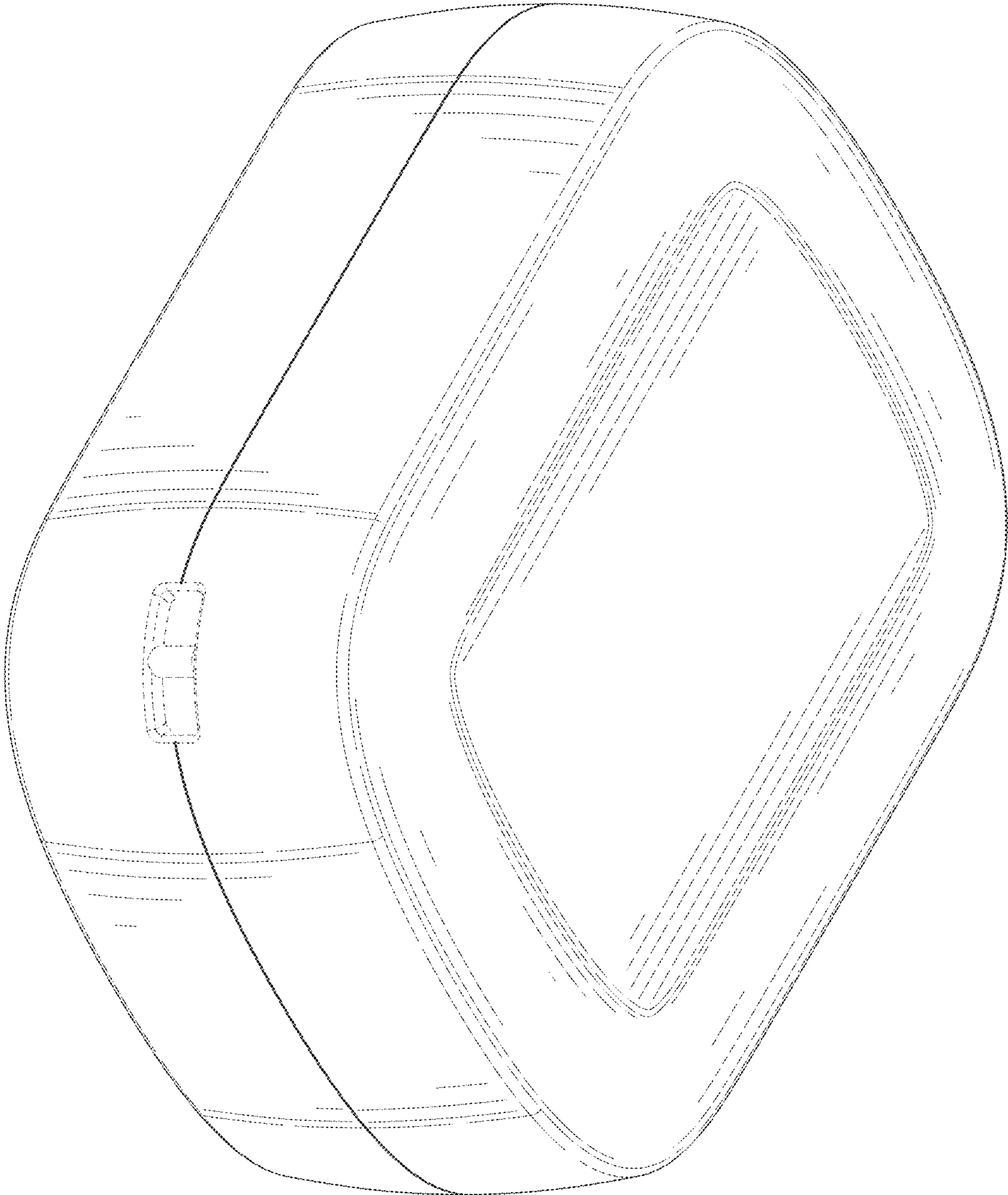


FIG. 2

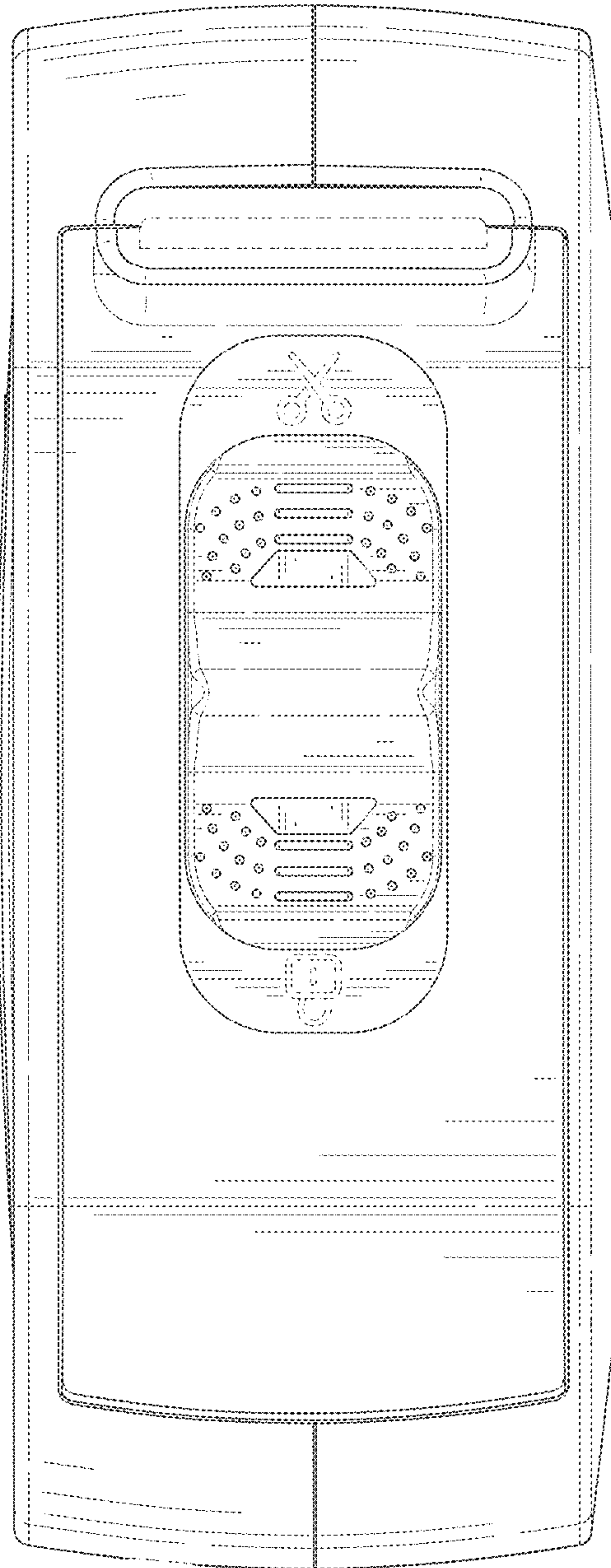


FIG. 3

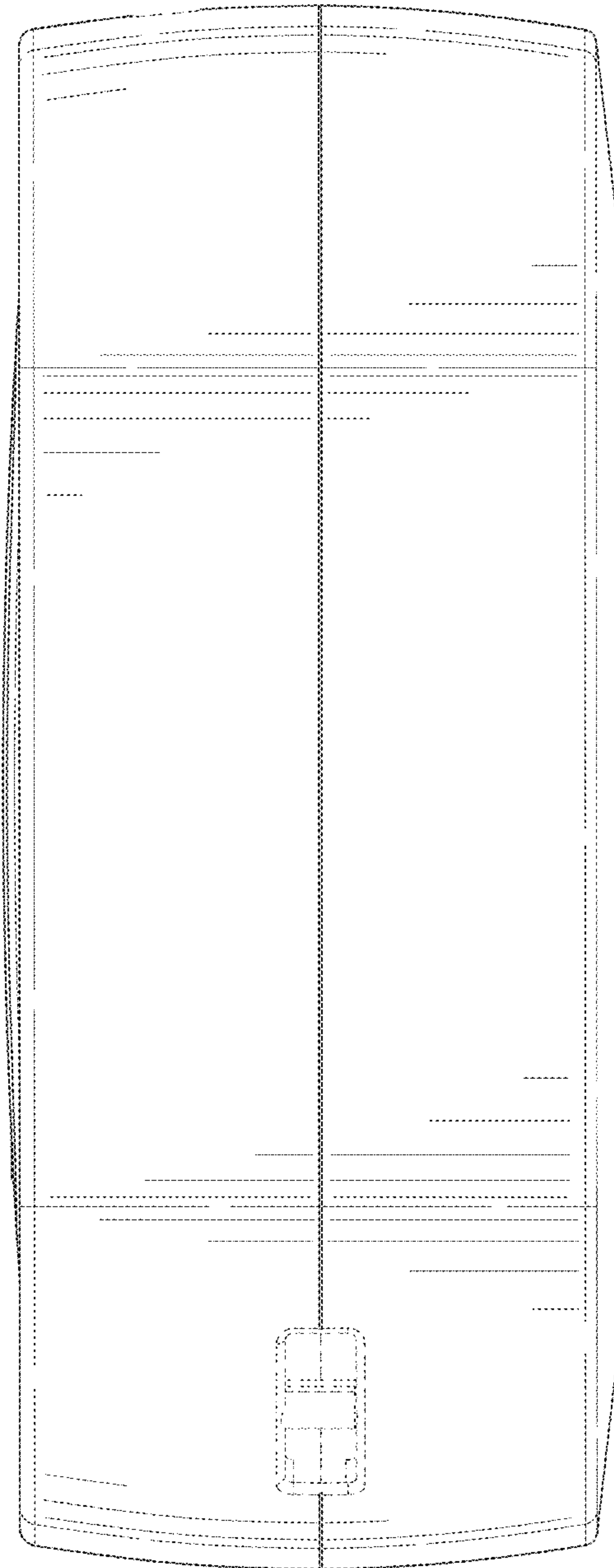


FIG. 4

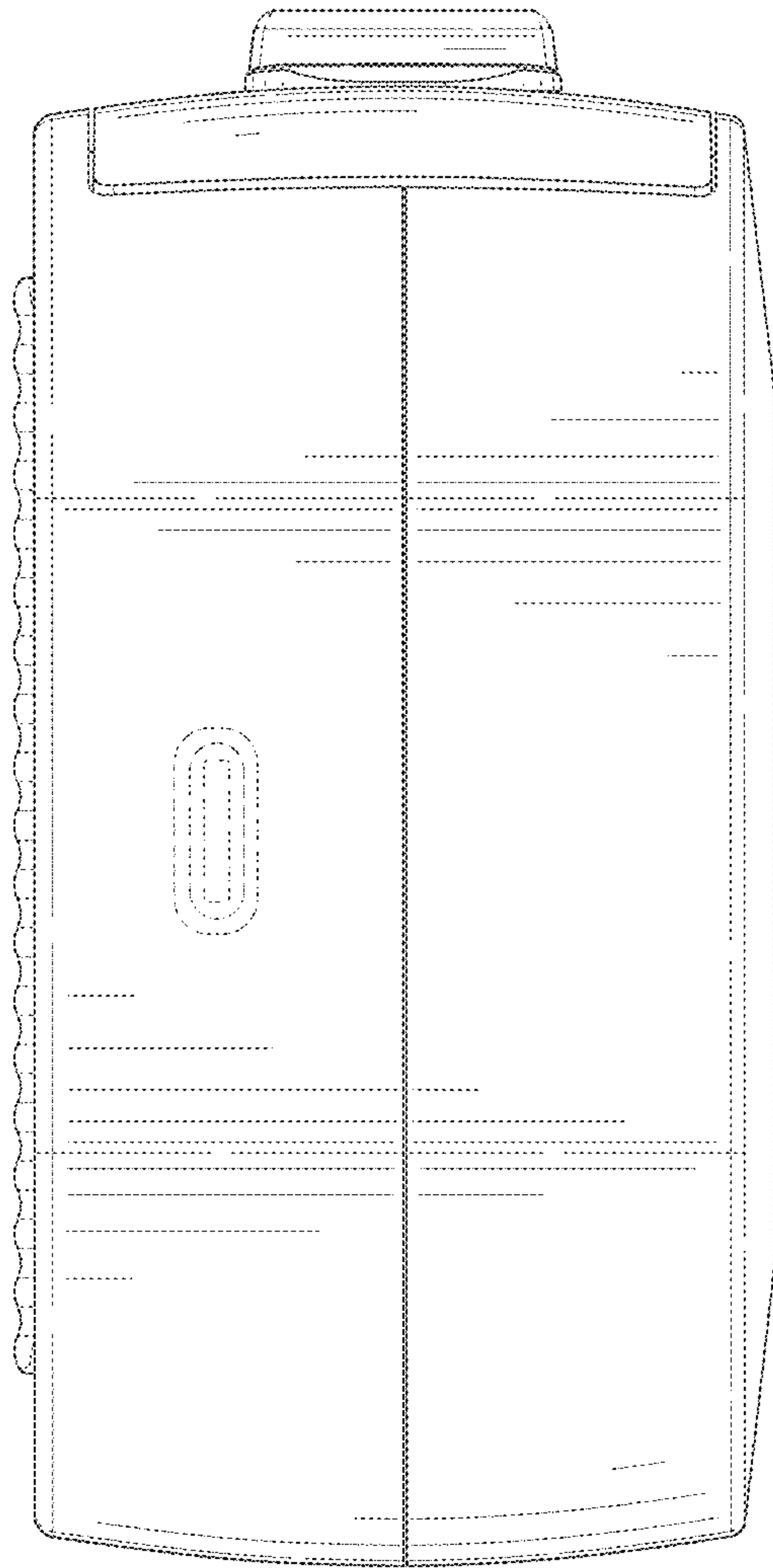


FIG. 5

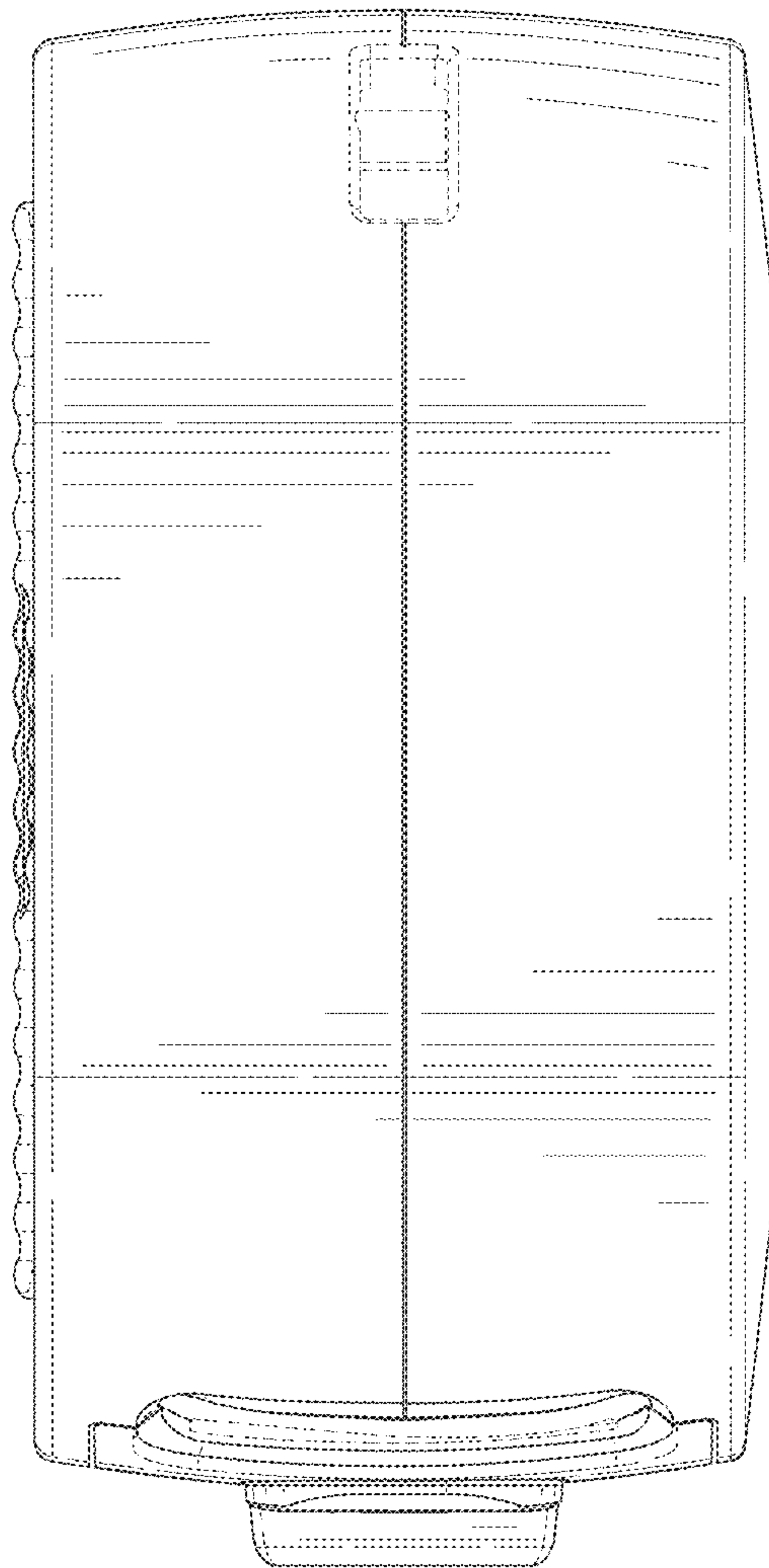


FIG. 6



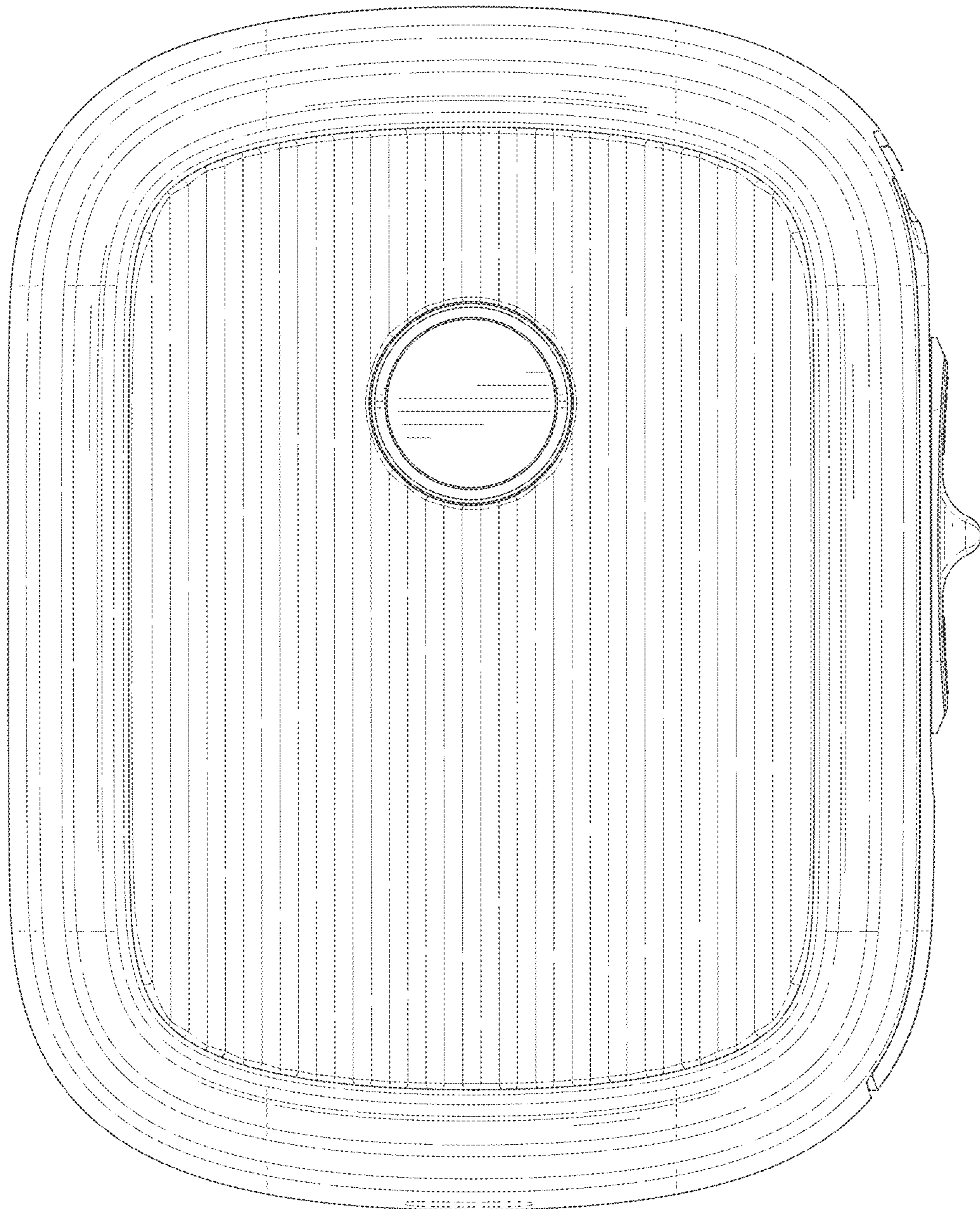


FIG. 7

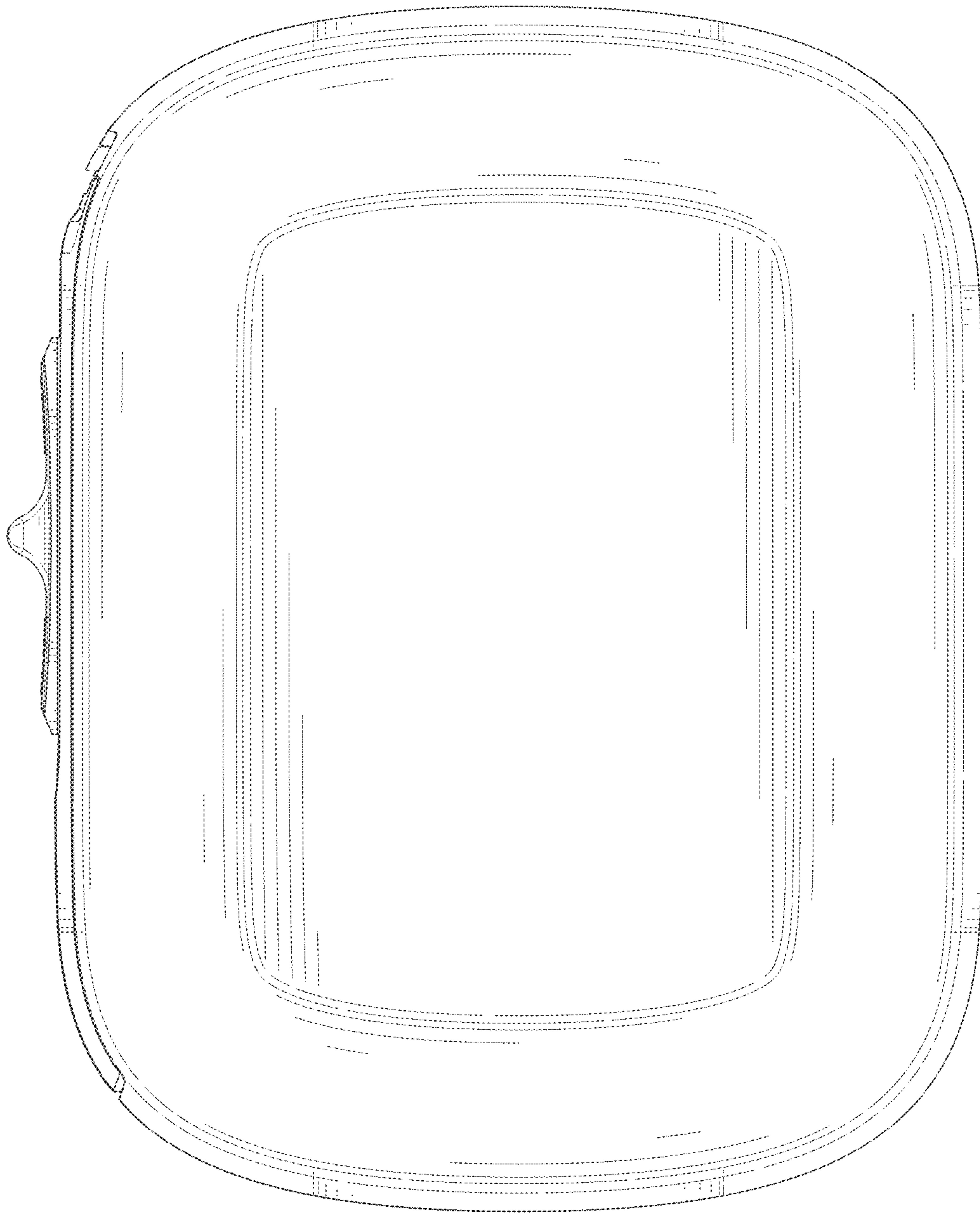


FIG. 8