



US00D982653S

(12) **United States Design Patent**
Zhang

(10) **Patent No.:** **US D982,653 S**

(45) **Date of Patent:** **** Apr. 4, 2023**

(54) **MULTIFUNCTION PROJECTION SCREEN**

(71) Applicant: **Mengyan Zhang**, Shenzhen (CN)

(72) Inventor: **Mengyan Zhang**, Shenzhen (CN)

(**) Term: **15 Years**

(21) Appl. No.: **29/780,611**

(22) Filed: **Apr. 26, 2021**

(51) **LOC (14) Cl.** **16-05**

(52) **U.S. Cl.**
USPC **D16/241**

(58) **Field of Classification Search**
USPC D16/208–209, 219, 237–250; D8/354,
D8/355, 363, 373, 382–383, 394–396;
D14/224, 229, 238, 251, 253, 447, 451,
D14/457

CPC .. F16M 11/14; G02B 7/00–002; G03B 17/56;
G03B 17/561–566; H04N 5/2253–2254;
A45F 5/00; A45F 2200/0508–0533

See application file for complete search history.

(56) **References Cited**

U.S. PATENT DOCUMENTS

| | | | | | |
|-----------|-----|---------|--------|-------|-----------------------|
| 1,902,373 | A * | 3/1933 | Pineo | | G03B 21/58 160/24 |
| 1,917,369 | A * | 7/1933 | Heck | | G03B 21/58 160/24 |
| 2,272,269 | A * | 2/1942 | Heck | | G03B 21/58 D16/241 |
| 3,324,928 | A * | 6/1967 | Muller | | G03B 21/58 160/24 |
| 4,017,152 | A * | 4/1977 | Allen | | G03B 21/58 248/165 |
| 4,169,658 | A * | 10/1979 | Brown | | G03B 21/58 359/461 |
| D554,175 | S * | 10/2007 | Wiener | | D16/241 |

7,316,257 B2 * 1/2008 Cameron G03B 21/58
160/351

7,974,004 B2 * 7/2011 Maruyama G03B 21/58
160/351

D875,815 S 2/2020 Fest

D888,067 S * 6/2020 Seo D14/451

D898,106 S * 10/2020 Zhao D16/241

D940,228 S * 1/2022 Ke D16/241

OTHER PUBLICATIONS

Portable Projector Screen with Stand . . . [online] First available
Dec. 29, 2020. Retrieved from URL: [https://www.amazon.com/
Portable-Projector-Screen-Stand-Outdoor/dp/B08RJBWXT1?th=1](https://www.amazon.com/Portable-Projector-Screen-Stand-Outdoor/dp/B08RJBWXT1?th=1)
(Year: 2020).*

(Continued)

Primary Examiner — Michael A. Pratt

(74) *Attorney, Agent, or Firm* — Justin Lampel

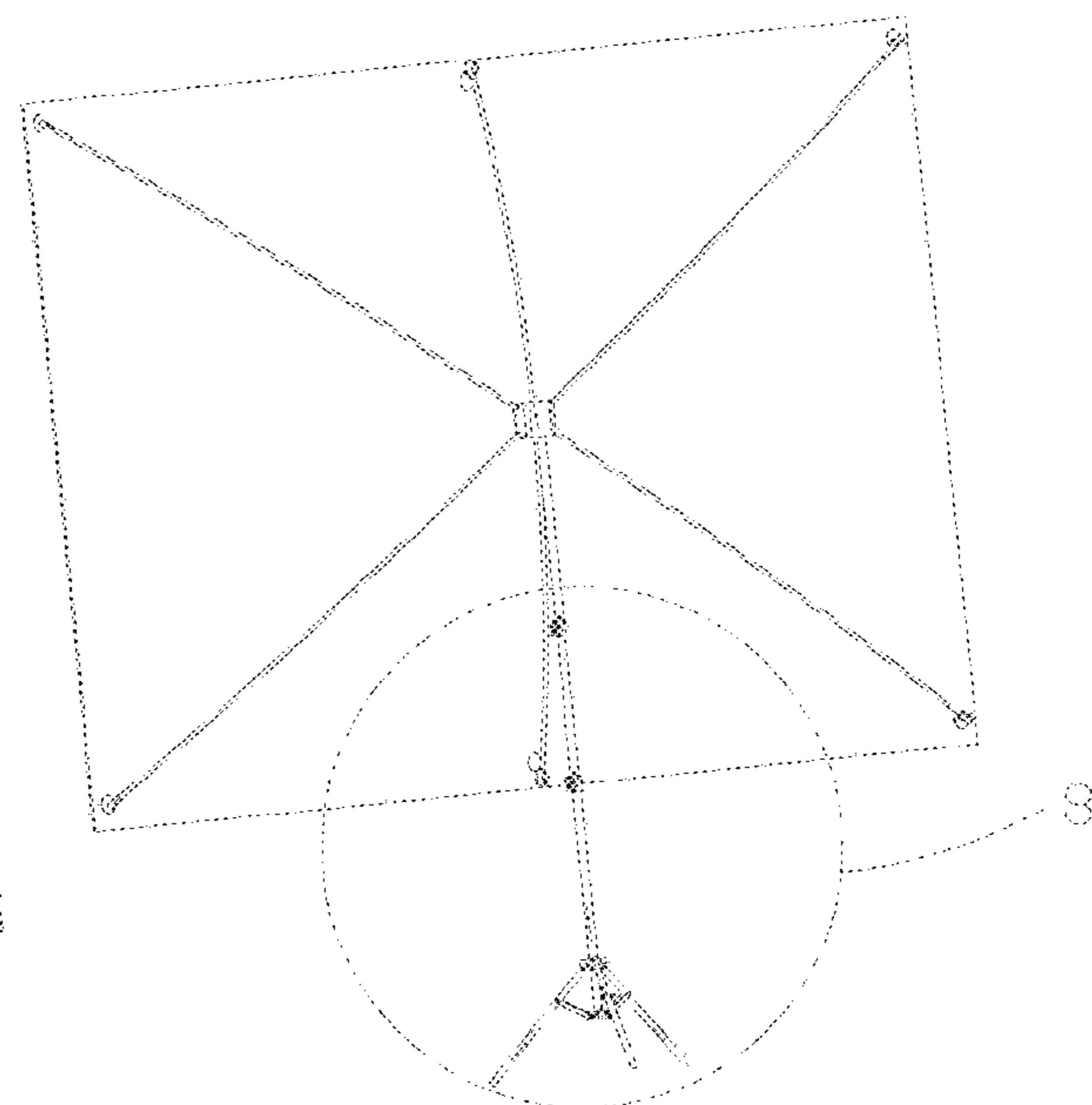
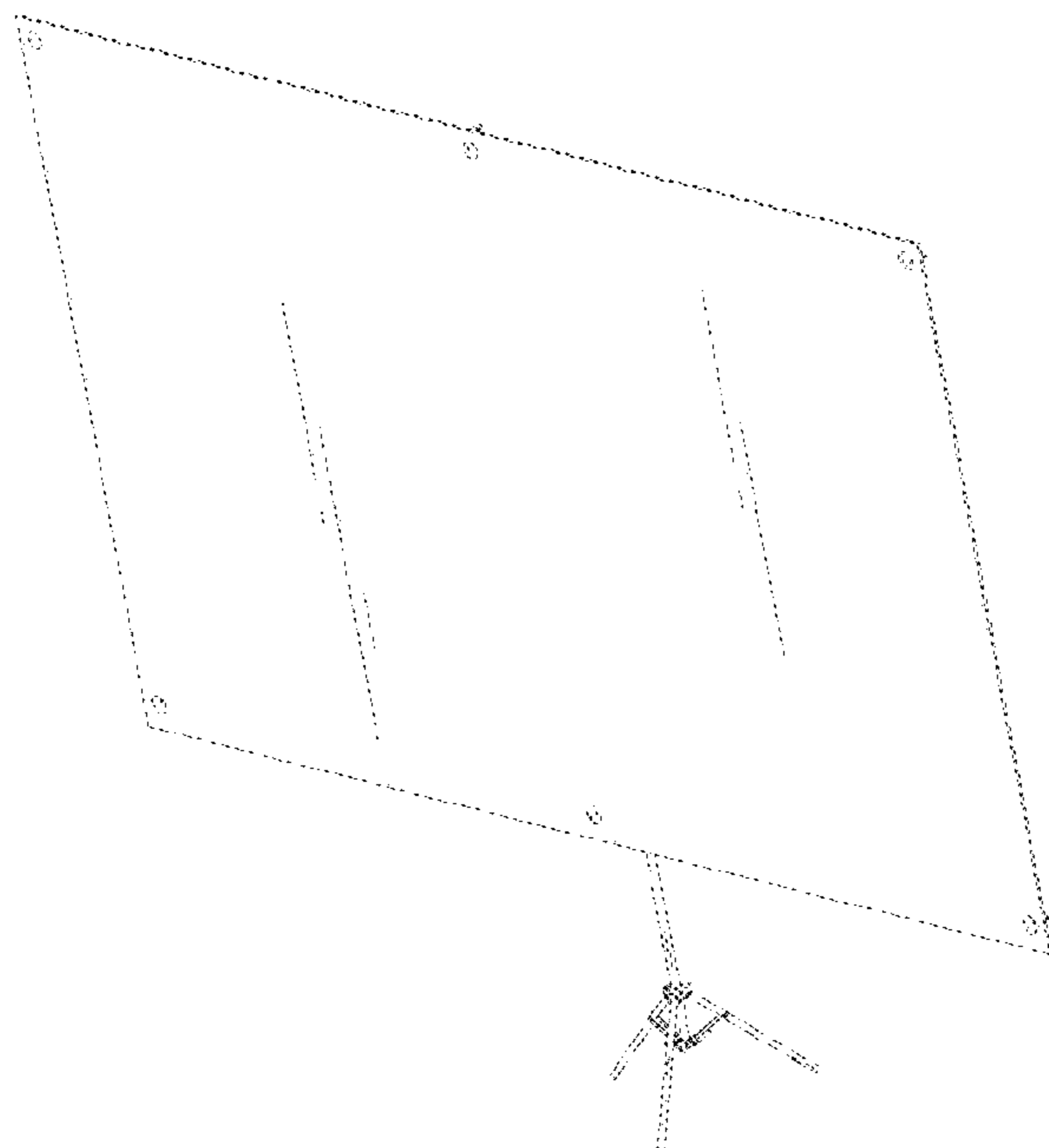
(57) **CLAIM**

The ornamental design for a multifunction projection screen,
as shown and described.

DESCRIPTION

FIG. 1 is a perspective view of a multifunction projection screen showing the claimed design;
FIG. 2 is a also perspective view of the multifunction projection screen showing the claimed design;
FIG. 3 is a top plan view thereof;
FIG. 4 is a left side view thereof;
FIG. 5 is a front elevational view thereof;
FIG. 6 is a right side view thereof;
FIG. 7 is a rear elevational view thereof;
FIG. 8 is a bottom plan view thereof; and,
FIG. 9 is an enlarged detail view of the encircled region of FIG. 2.

1 Claim, 9 Drawing Sheets



(56)

References Cited

OTHER PUBLICATIONS

100 inch 16:9 Portable Foldable Multifunctional Projection Screen with Tripod Support, [online] Retrieved May 4, 2022 from URL: https://www.alibaba.com/product-detail/100-inch-16-9-Portable-Foldable_1600476112996.html?spm=a2700.pc_countrysearch.main07.220.25c365a4XPtkJo (Year: 2022).*

Factory Direct Matt White 80 90 Inch Portable Rack Projection Screen . . . [online] Retrieved May 4, 2022 from URL: https://www.alibaba.com/product-detail/Factory-Direct-Matt-White-80-90_1600473736640.html?spm=a2700.pc_countrysearch.main07.164.24b065a4GEpLpC (Year: 2022).*

* cited by examiner

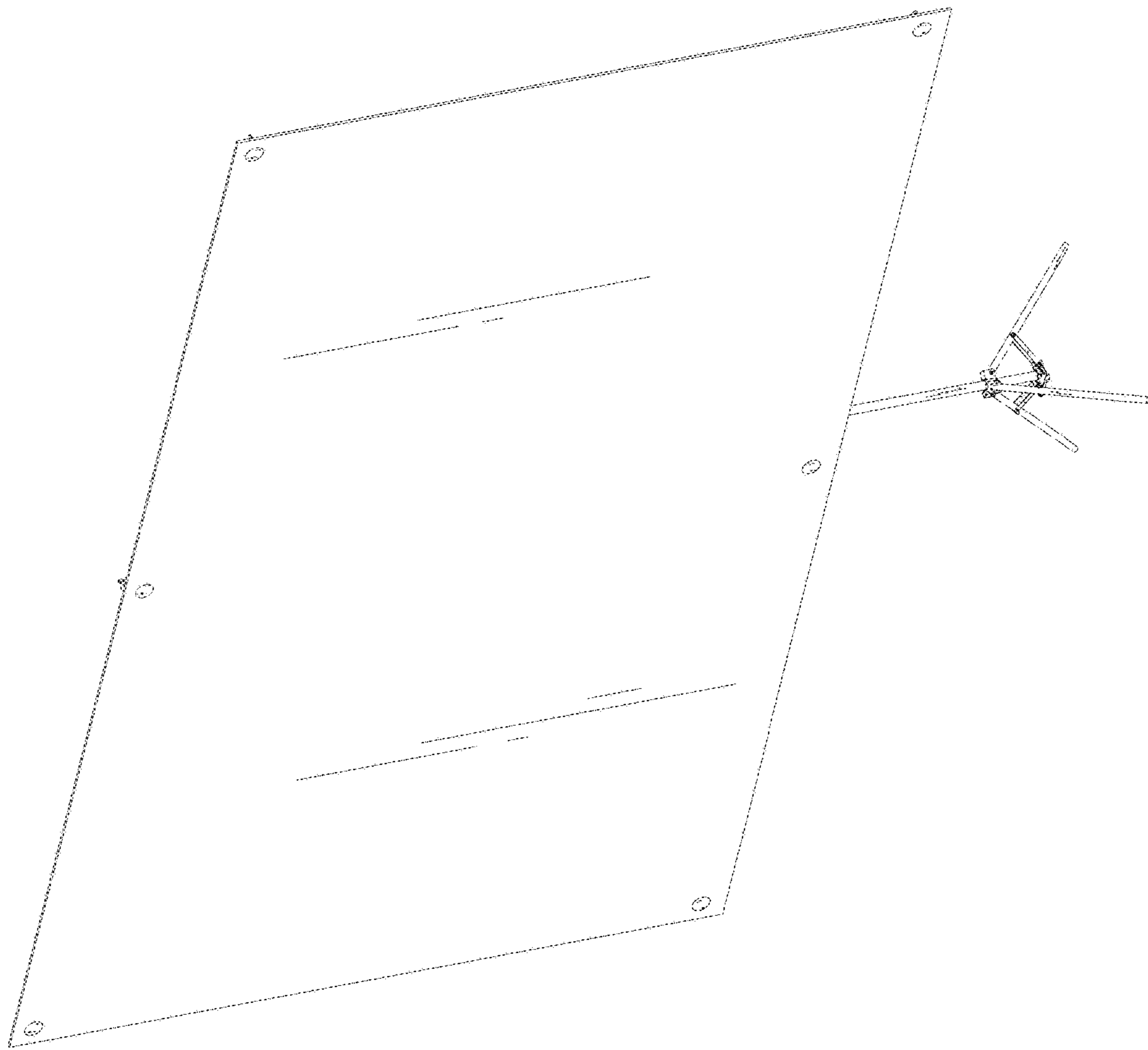


FIG.1

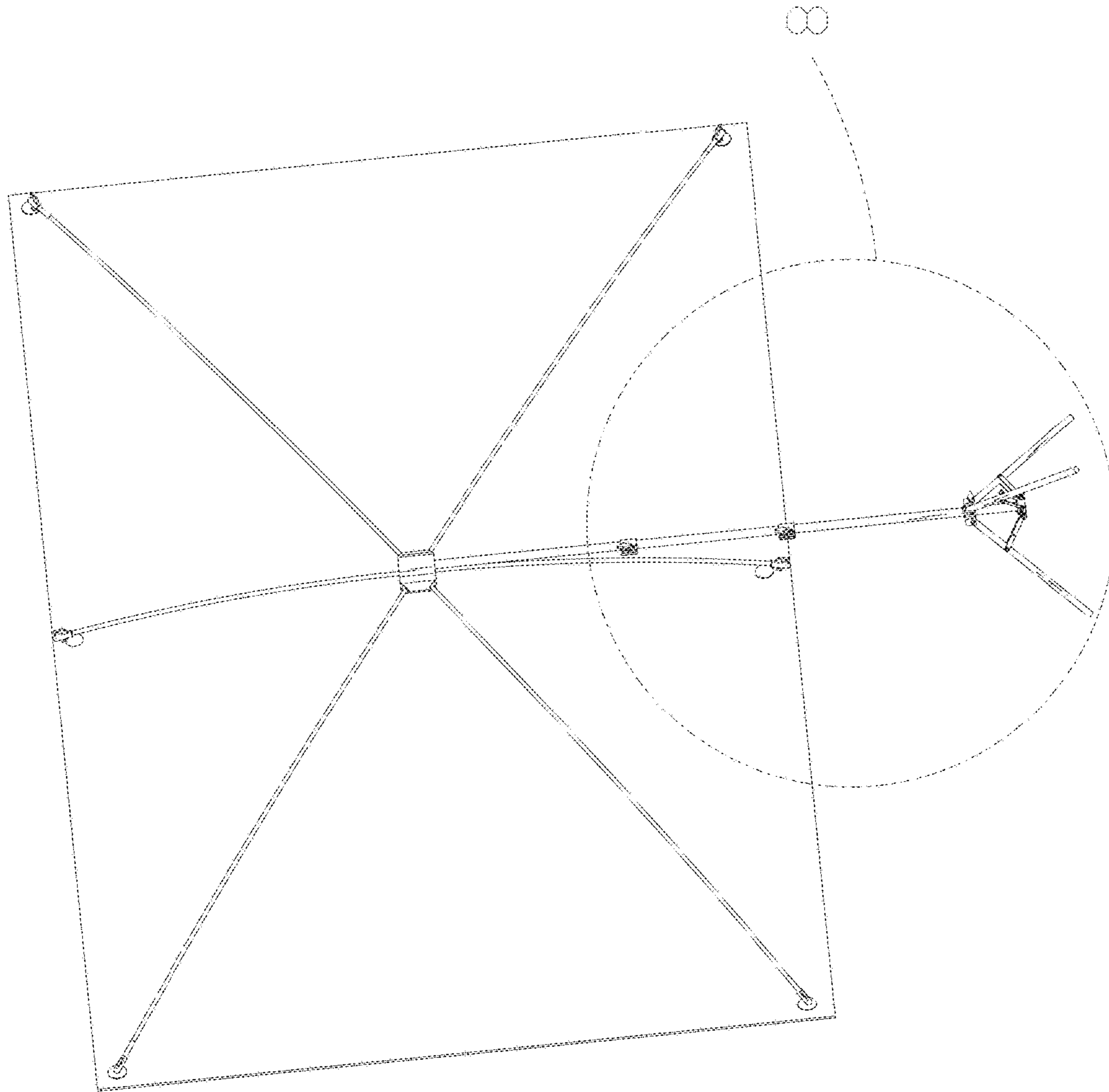


FIG. 2

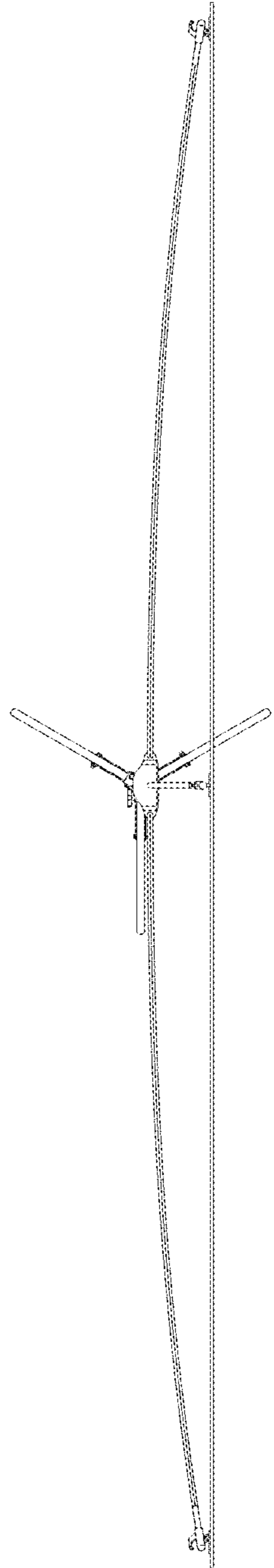


FIG. 3

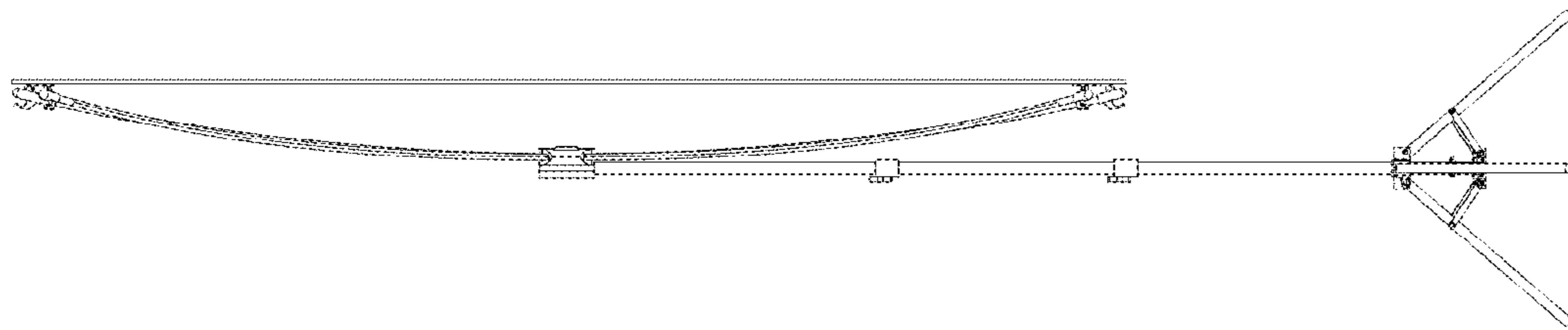


FIG. 4

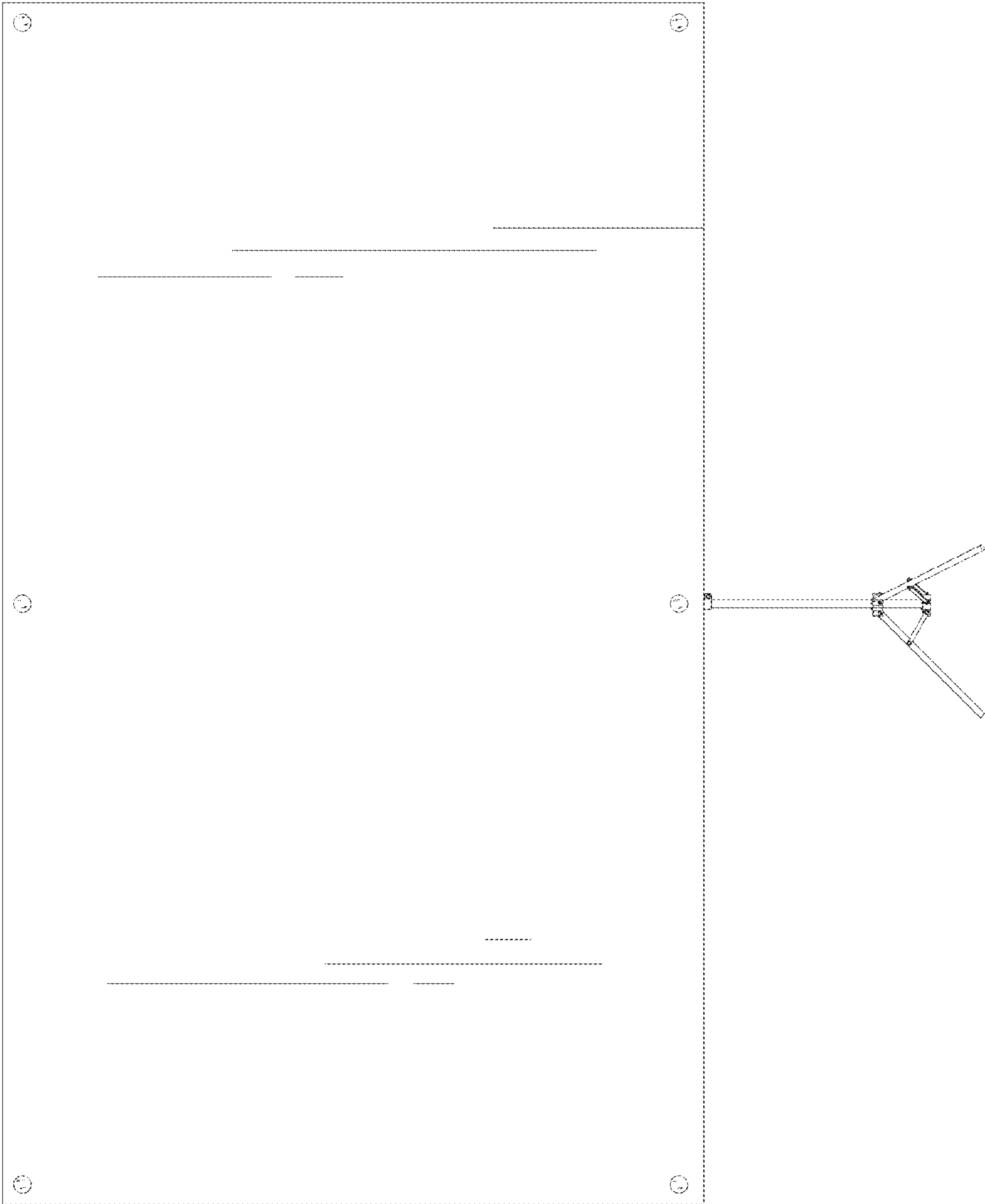


FIG. 5

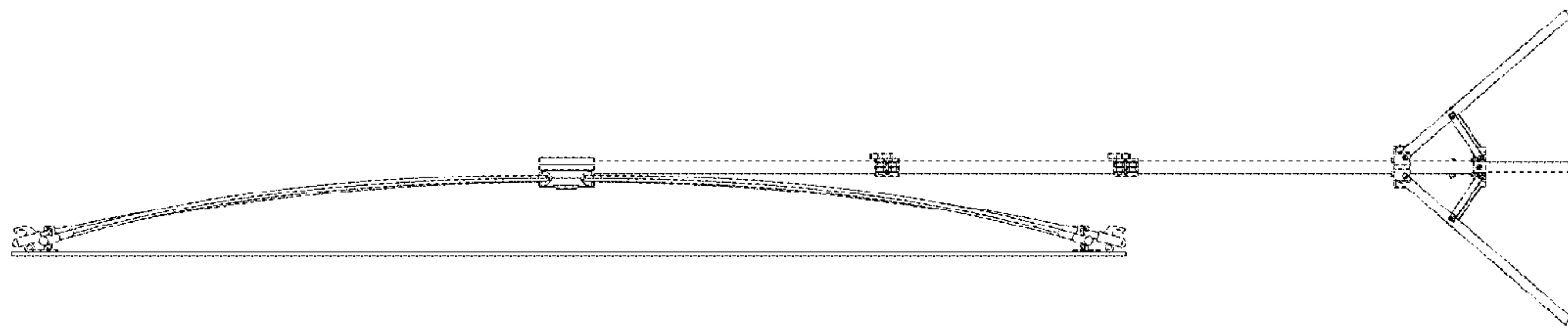


FIG. 6

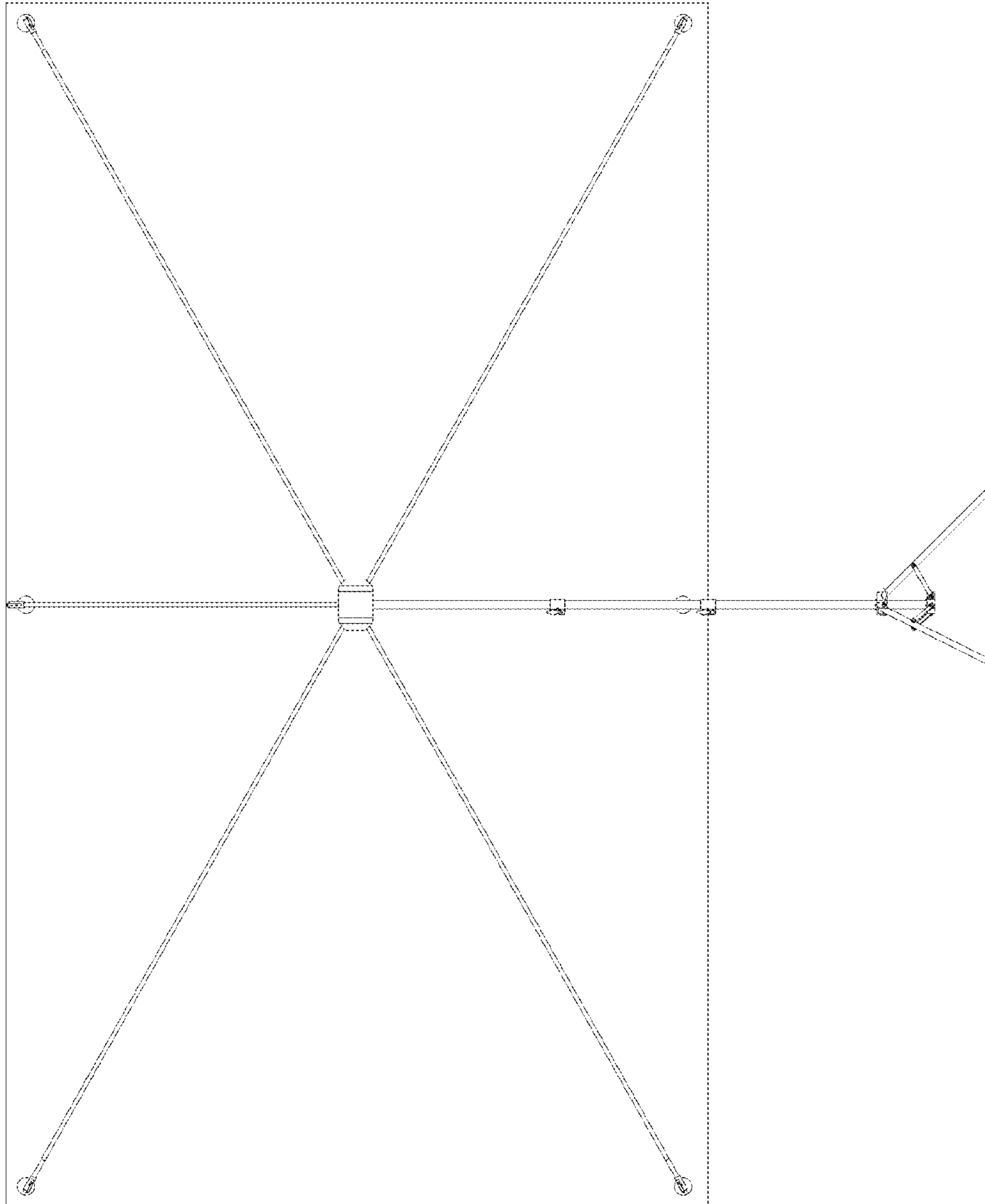


FIG. 7

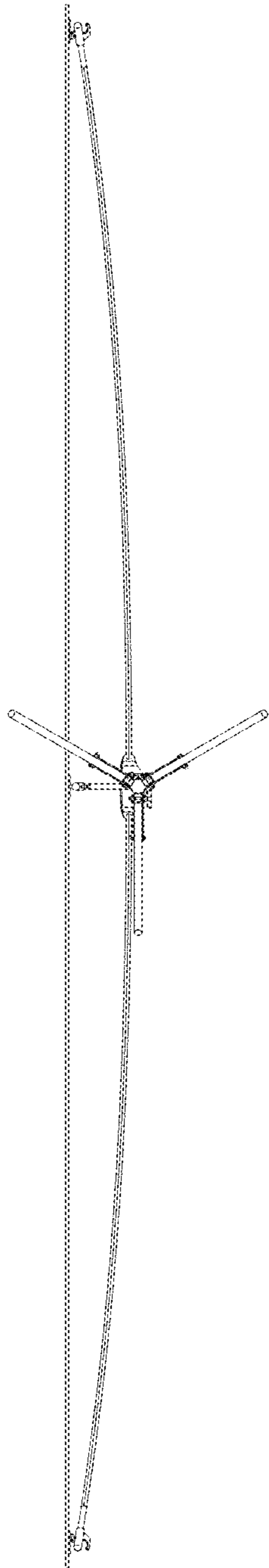


FIG. 8

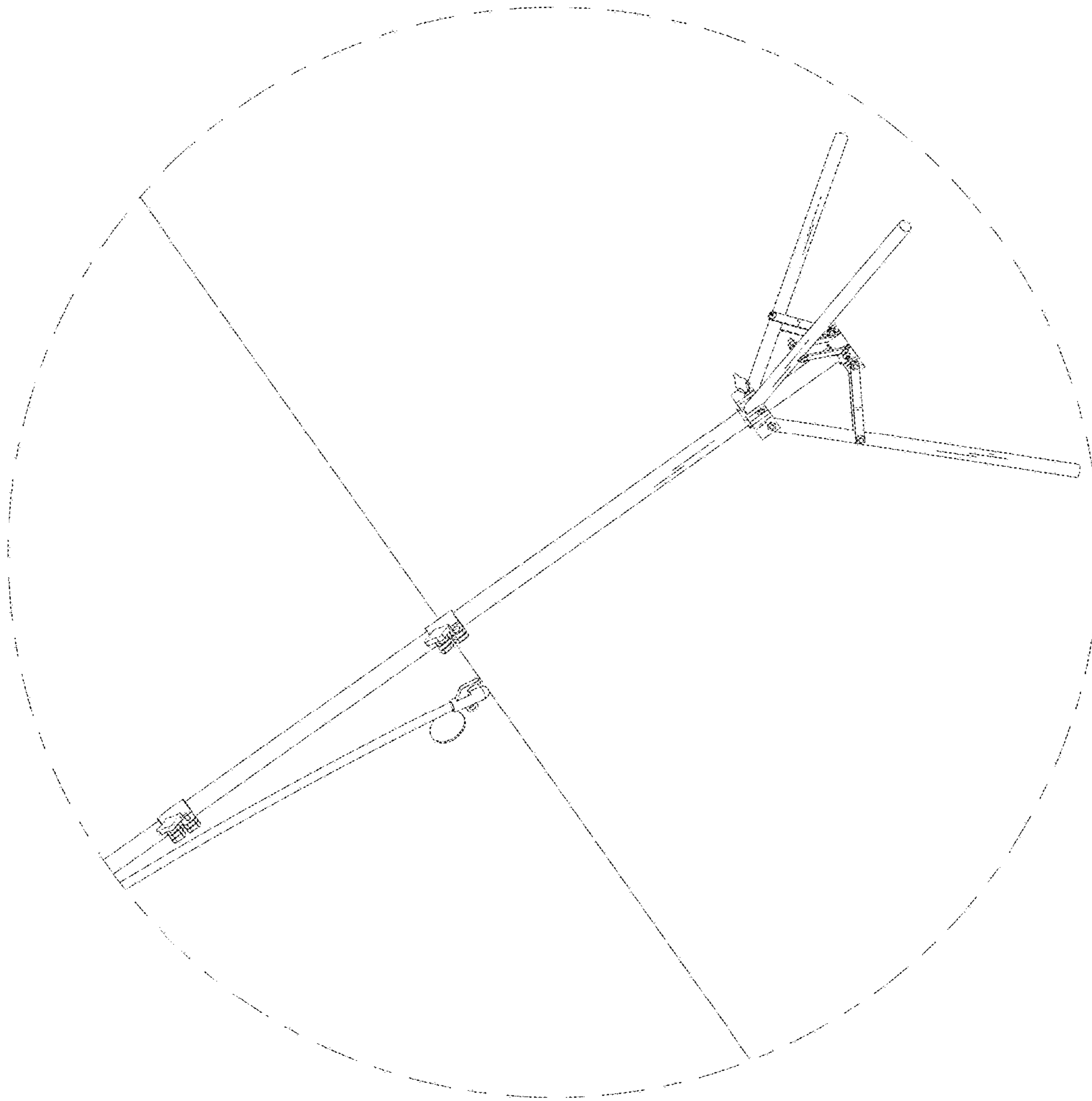


FIG. 9