



US00D982652S

(12) **United States Design Patent**
Rhee et al.

(10) **Patent No.:** **US D982,652 S**
(45) **Date of Patent:** **** Apr. 4, 2023**

(54) **VIEWER FOR SLIDES**
(71) Applicant: **HYBE Co., Ltd.**, Seoul (KR)
(72) Inventors: **Seung Suk Rhee**, Seoul (KR); **Hee Jung Kim**, Seoul (KR)
(**) Term: **15 Years**
(21) Appl. No.: **35/512,931**

D181,501 S * 11/1957 Somach D16/222
3,265,457 A * 8/1966 Dale G03B 21/32
352/191
4,128,320 A * 12/1978 Cecchini G02B 30/35
83/40
D251,494 S * 4/1979 Richards D16/222
D254,259 S * 2/1980 Miller D16/227
D791,854 S * 7/2017 Bates D16/222
9,869,865 B2 * 1/2018 Vinzant G02B 27/022
D900,094 S * 10/2020 Hluchan D14/372

(22) Filed: **May 18, 2021**

FOREIGN PATENT DOCUMENTS

EP 008167357-0001 11/2020

(80) **Hague Agreement Data**
Int. Filing Date: **May 18, 2021**
Int. Reg. No.: **DM/215994**
Int. Reg. Date: **May 18, 2021**
Int. Reg. Pub. Date: **Nov. 19, 2021**

OTHER PUBLICATIONS

Kpop "BTS Official Film Viewer Special Kit." Retrieved Aug. 1, 2022. Retrieved from internet <<https://www.a-kpop.com/product/bts-official-film-viewer-special-kit/>>.*

* cited by examiner

Primary Examiner — Wan Laymon

(30) **Foreign Application Priority Data**

Nov. 20, 2020 (KR) 30-2020-0056518

(51) **LOC (14) Cl.** **16-02**

(52) **U.S. Cl.**
USPC **D16/225**; D16/227

(58) **Field of Classification Search**
USPC D16/221, 222, 225, 227, 229, 130;
D14/372, 432

CPC G03B 5/00; G03B 35/00; G03B 21/00;
G03B 21/54; G03B 35/18; G03B 21/001;
G03B 23/00; G03B 21/003; G03B
21/111; G03B 21/32; G03B 23/12; G02B
27/024; G02B 27/02; G02B 27/022;
G02B 30/34; G02B 30/35

See application file for complete search history.

(56) **References Cited**

U.S. PATENT DOCUMENTS

2,377,109 A * 5/1945 Schwartz G02B 30/34
D16/227
2,715,853 A * 8/1955 Austin G02B 30/37
D16/222

(57) **CLAIM**

The ornamental design for a viewer for slides, as shown and described.

DESCRIPTION

1. Viewer for slides

1.1 : Perspective

1.2 : Front

1.3 : Back

1.4 : Left

1.5 : Right

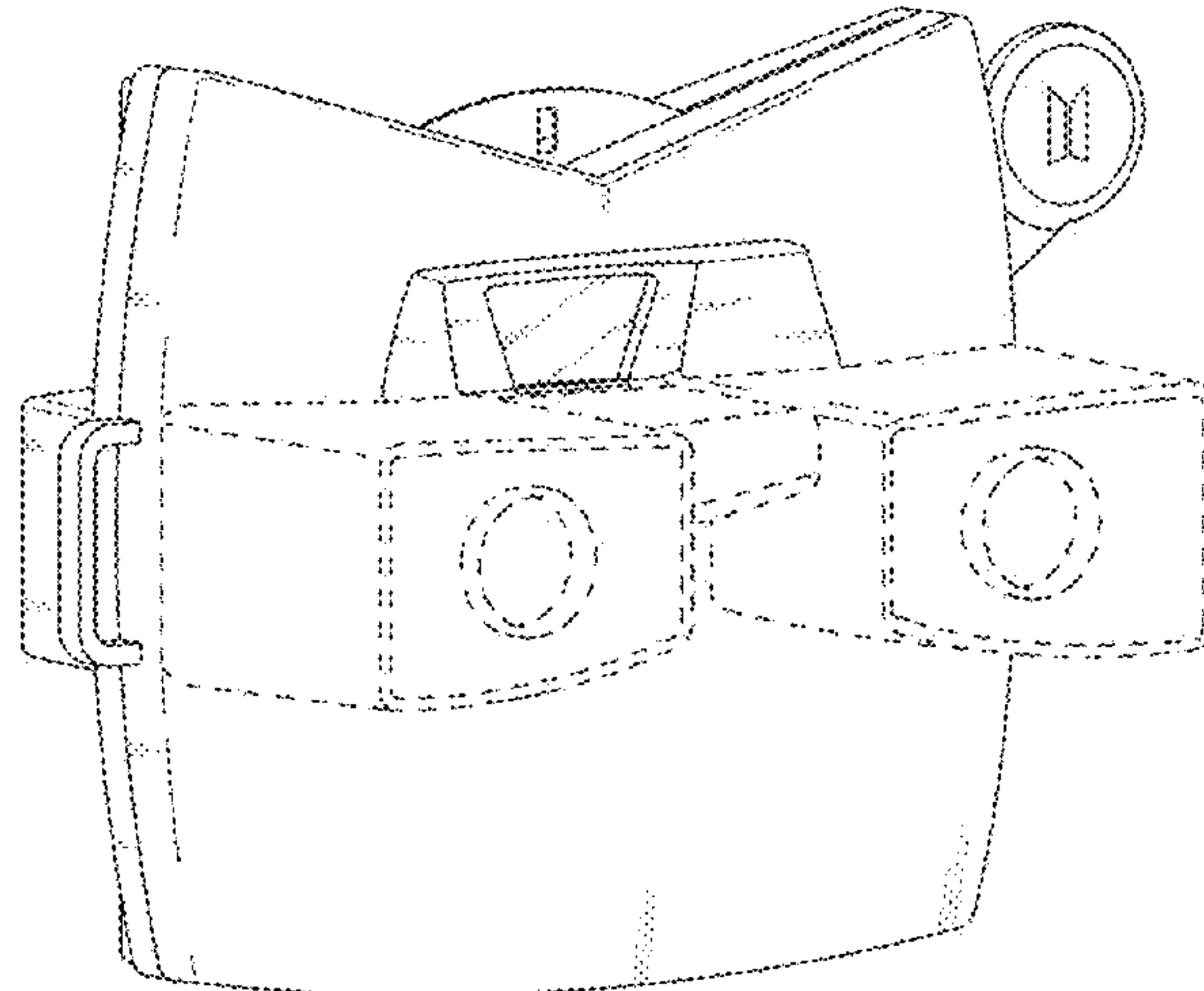
1.6 : Top

1.7 : Bottom

1.8 : Reference

The design is the shape of the viewer for slides; the material of this design is synthetic resin or metal; the design shows a combination of unique shapes; reproduction **1.8** forms no part of the claimed design.

(Continued)



The broken lines depict portions of the viewer for slides that form no part of the claimed design.

1 Claim, 8 Drawing Sheets

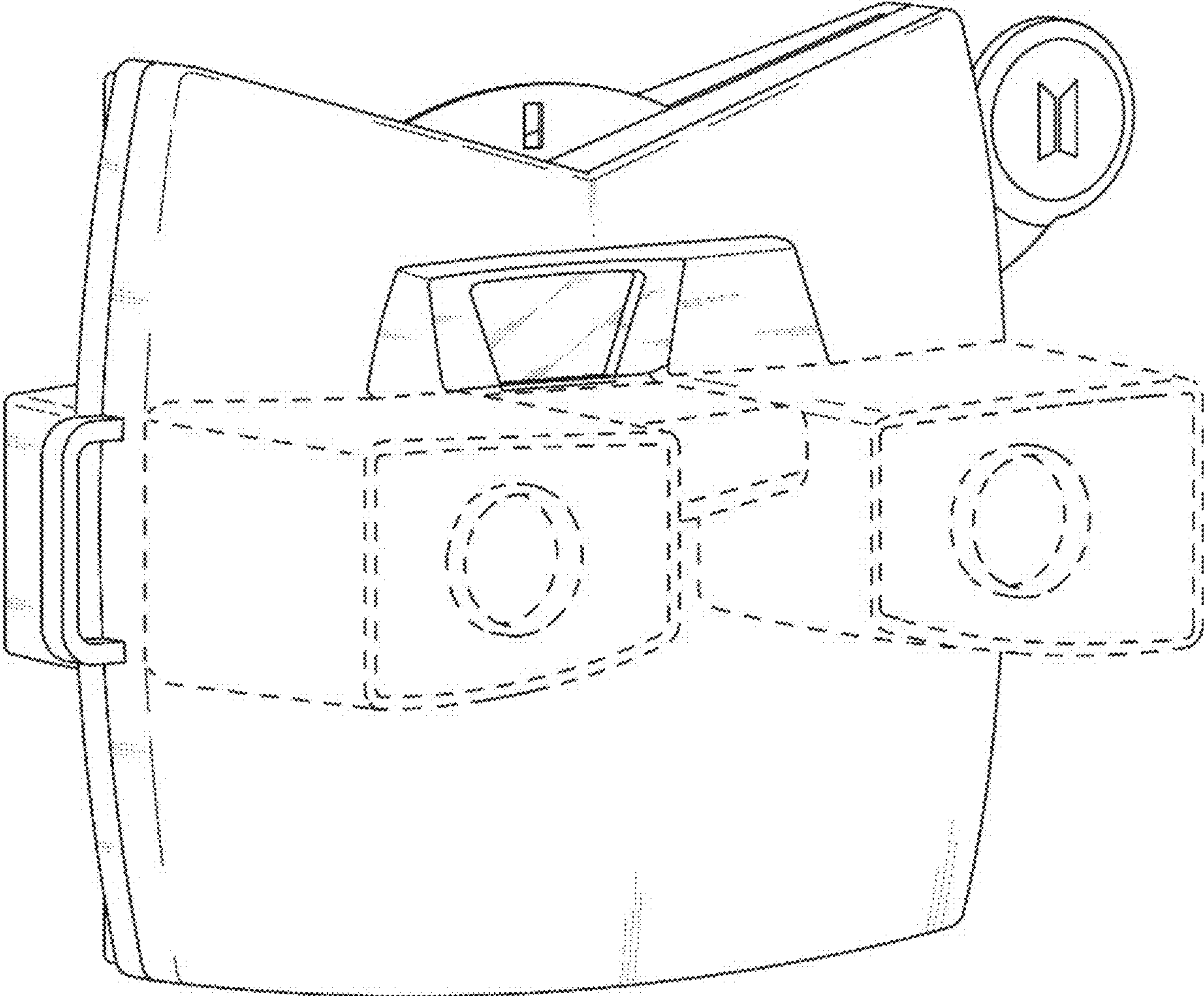


FIG. 1.1

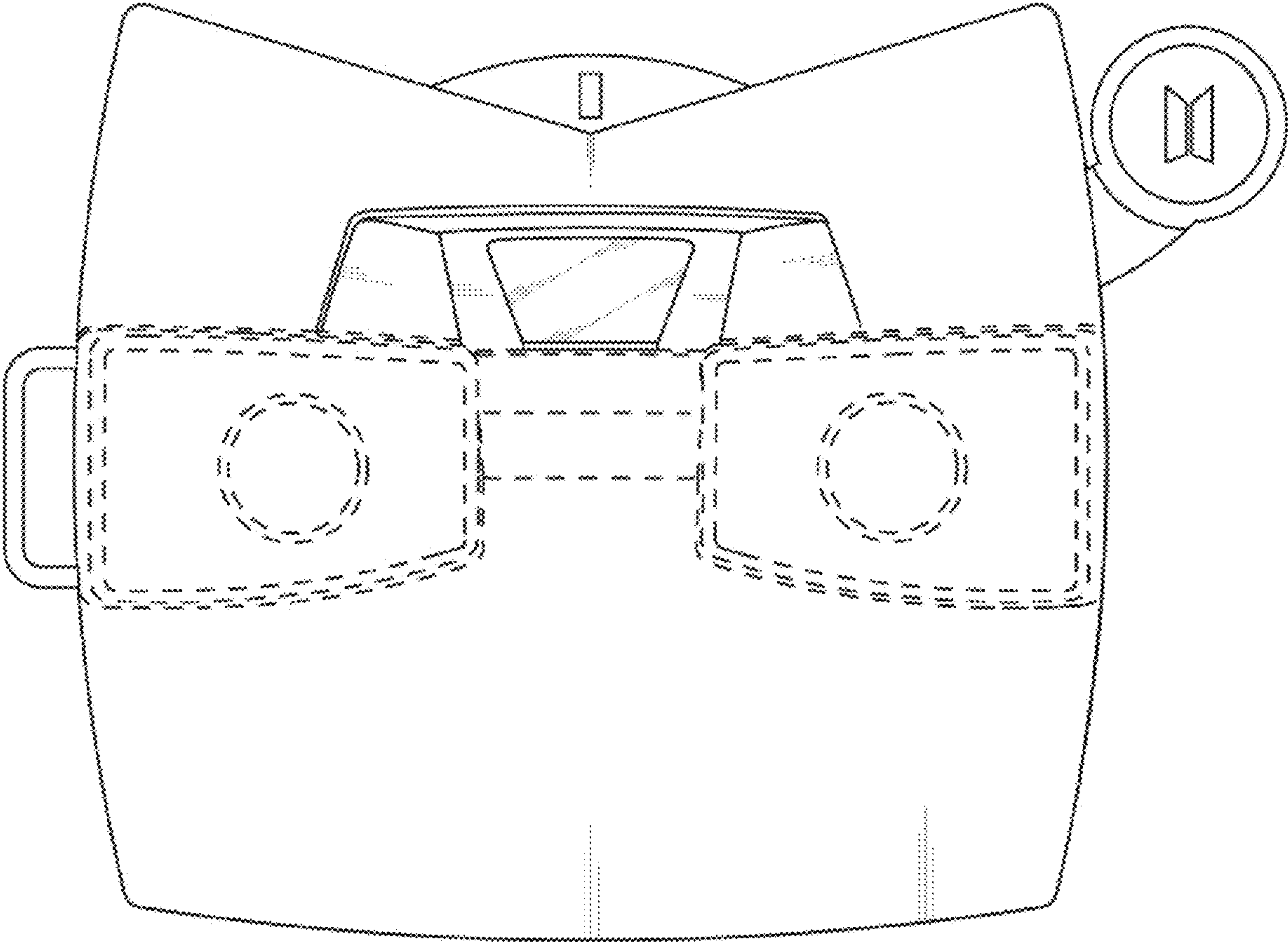


FIG. 1.2

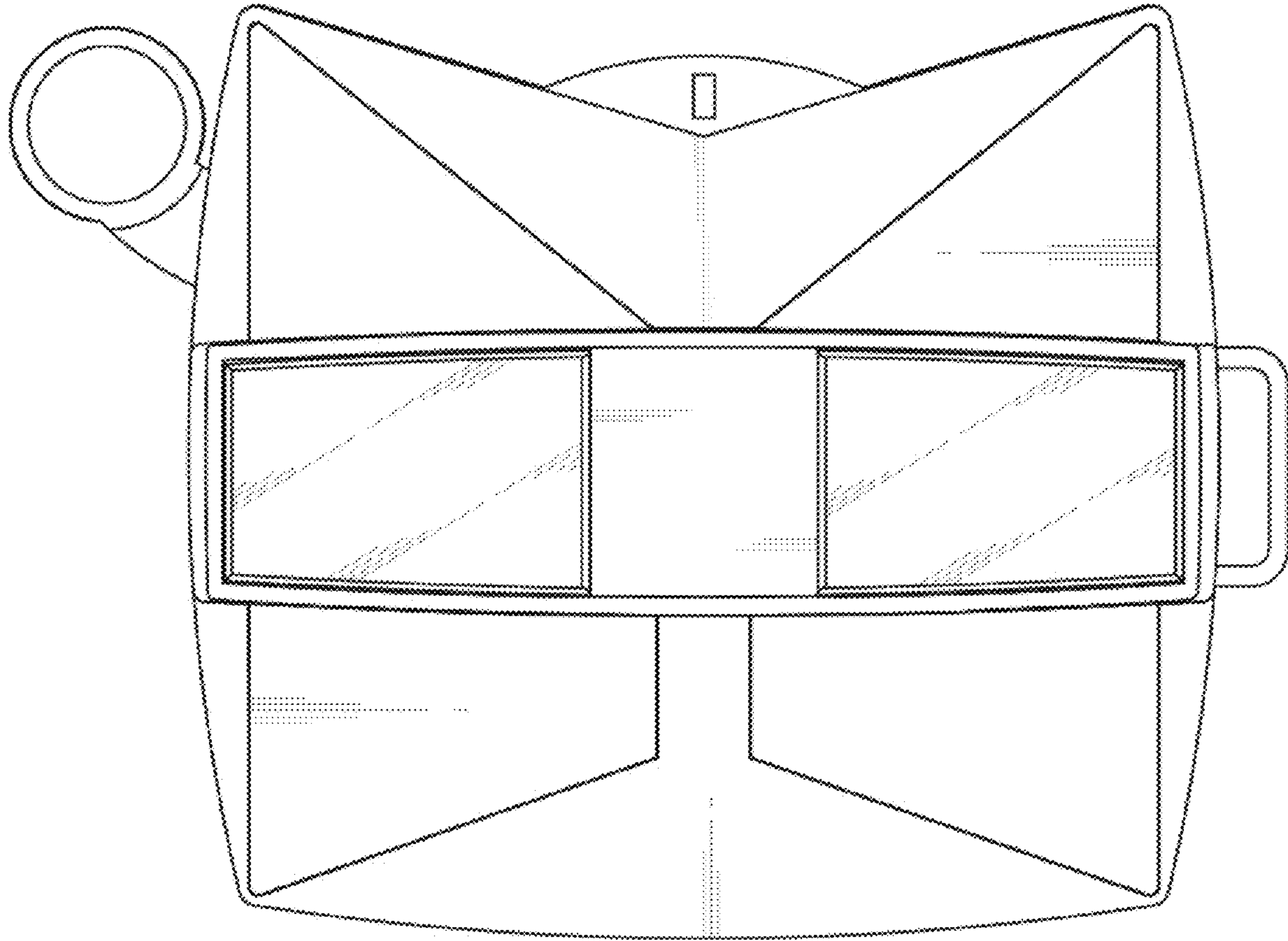


FIG. 1.3

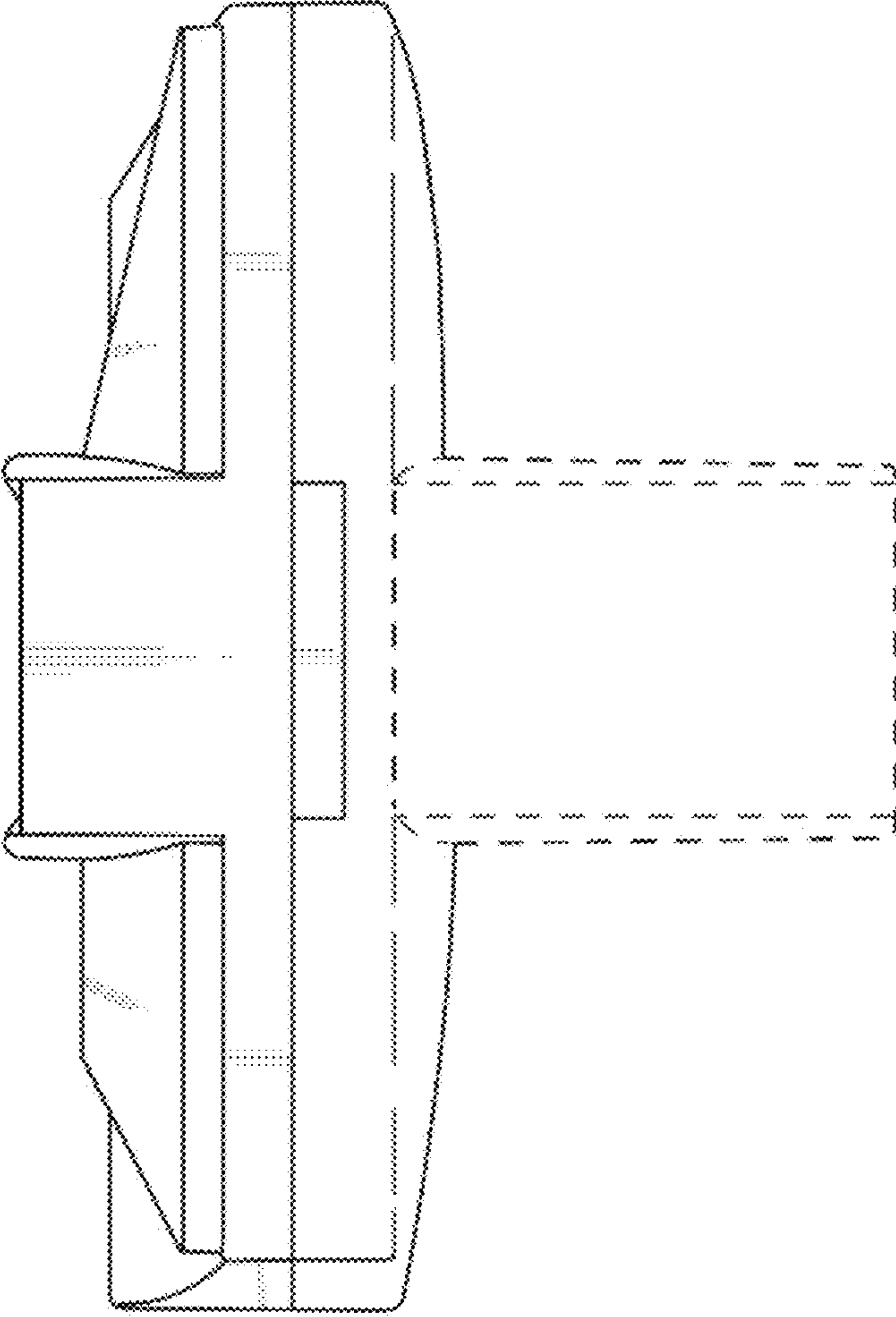


FIG. 1.4

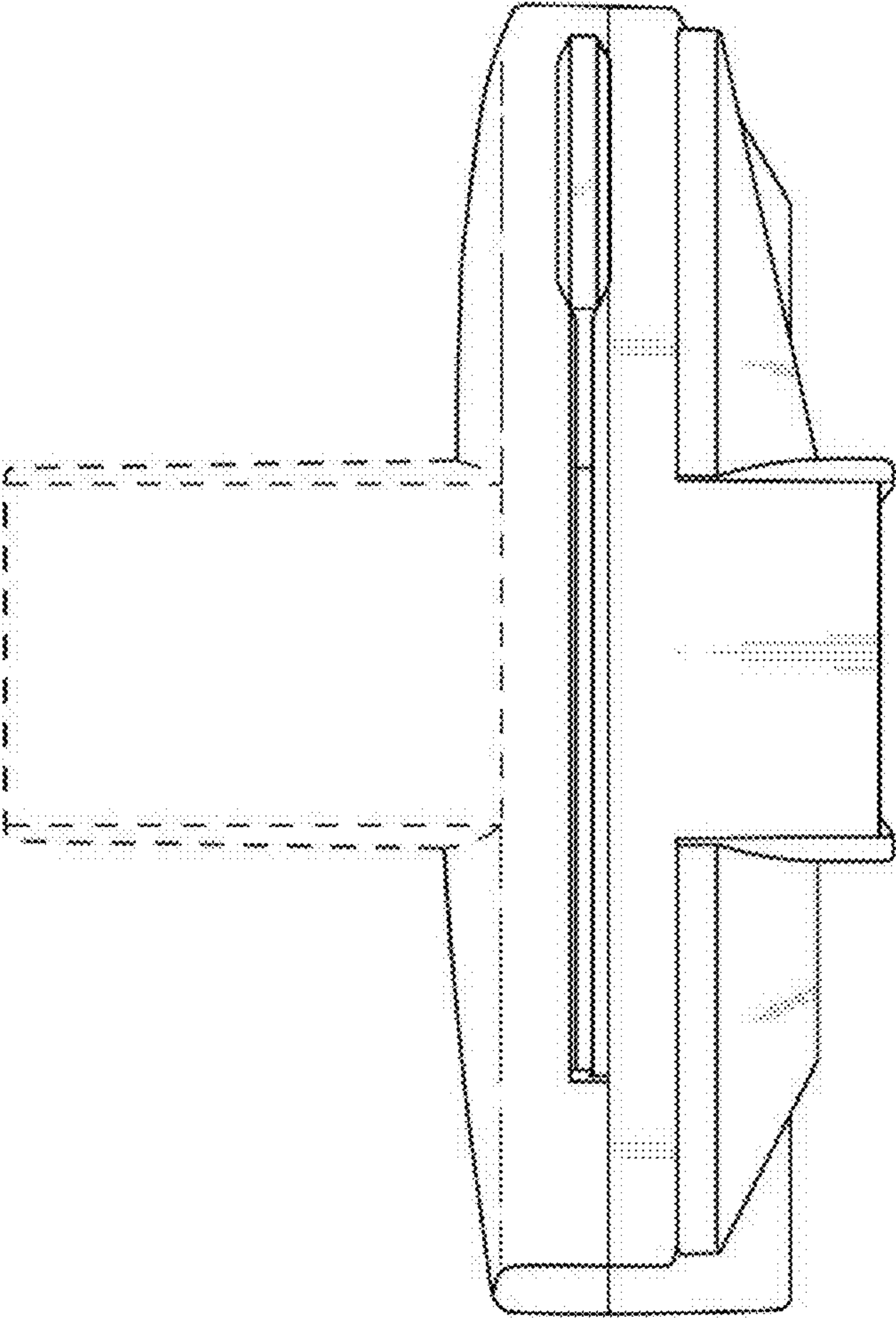


FIG. 1.5

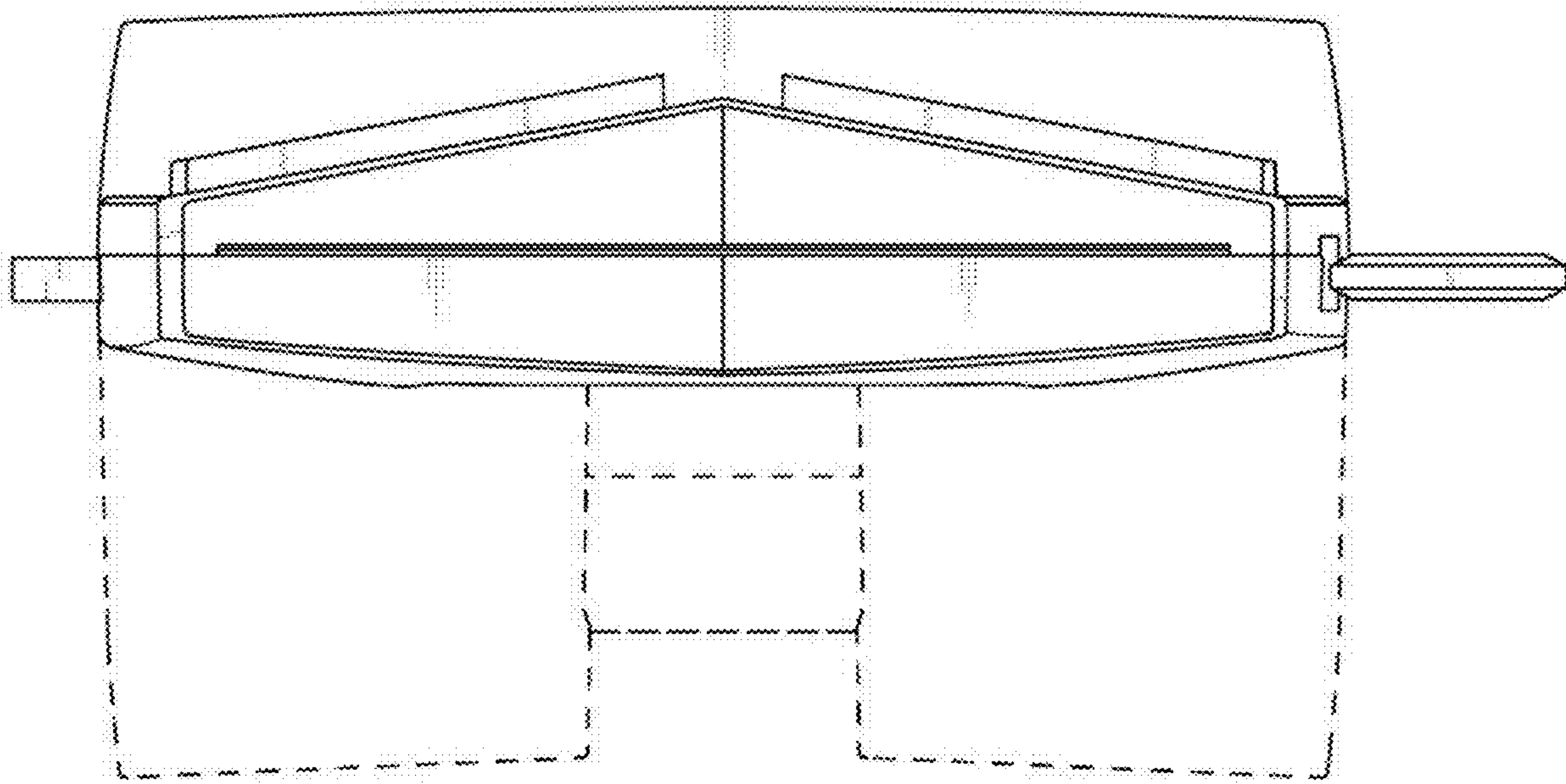


FIG. 1.6

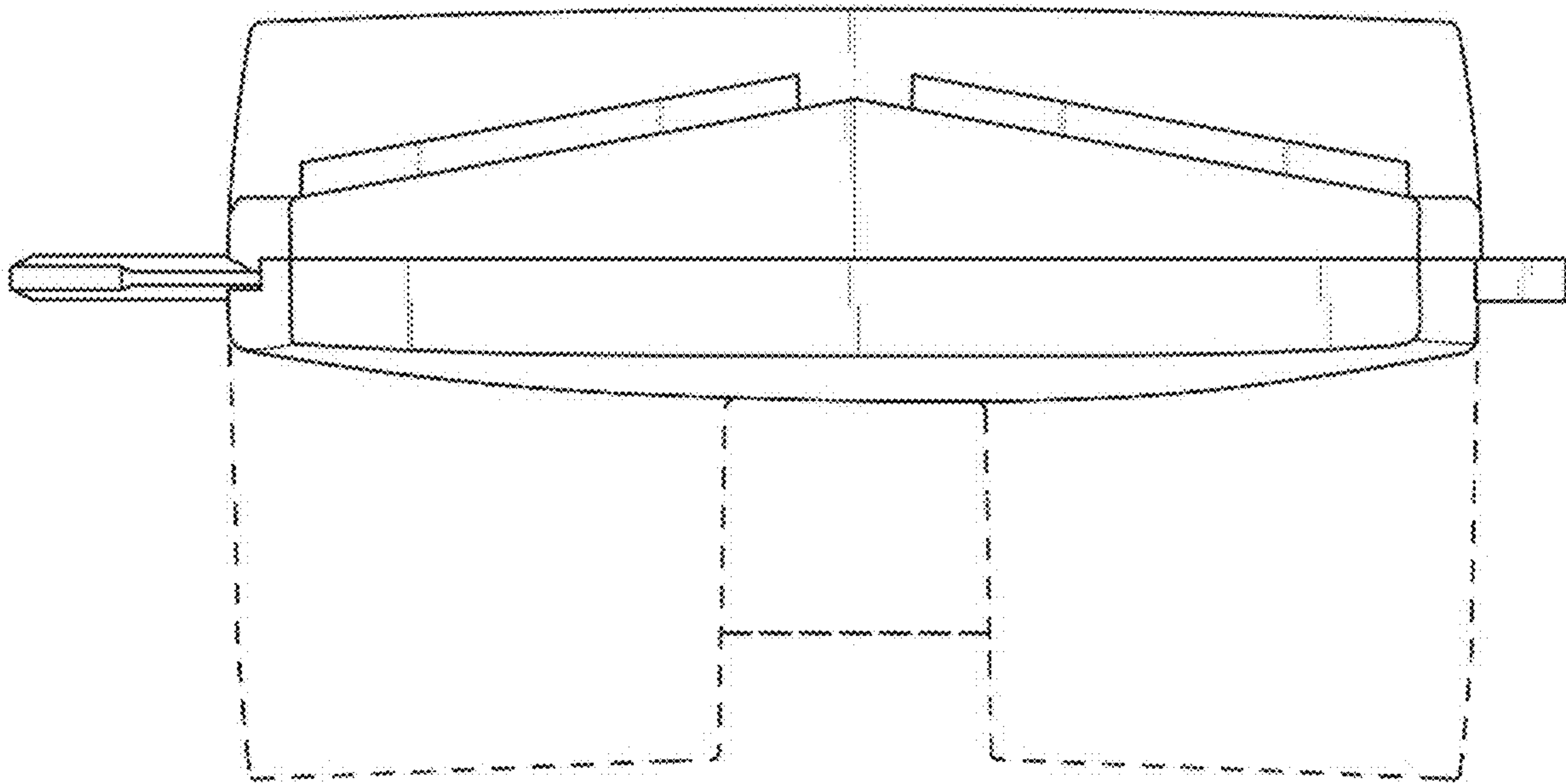


FIG. 1.7

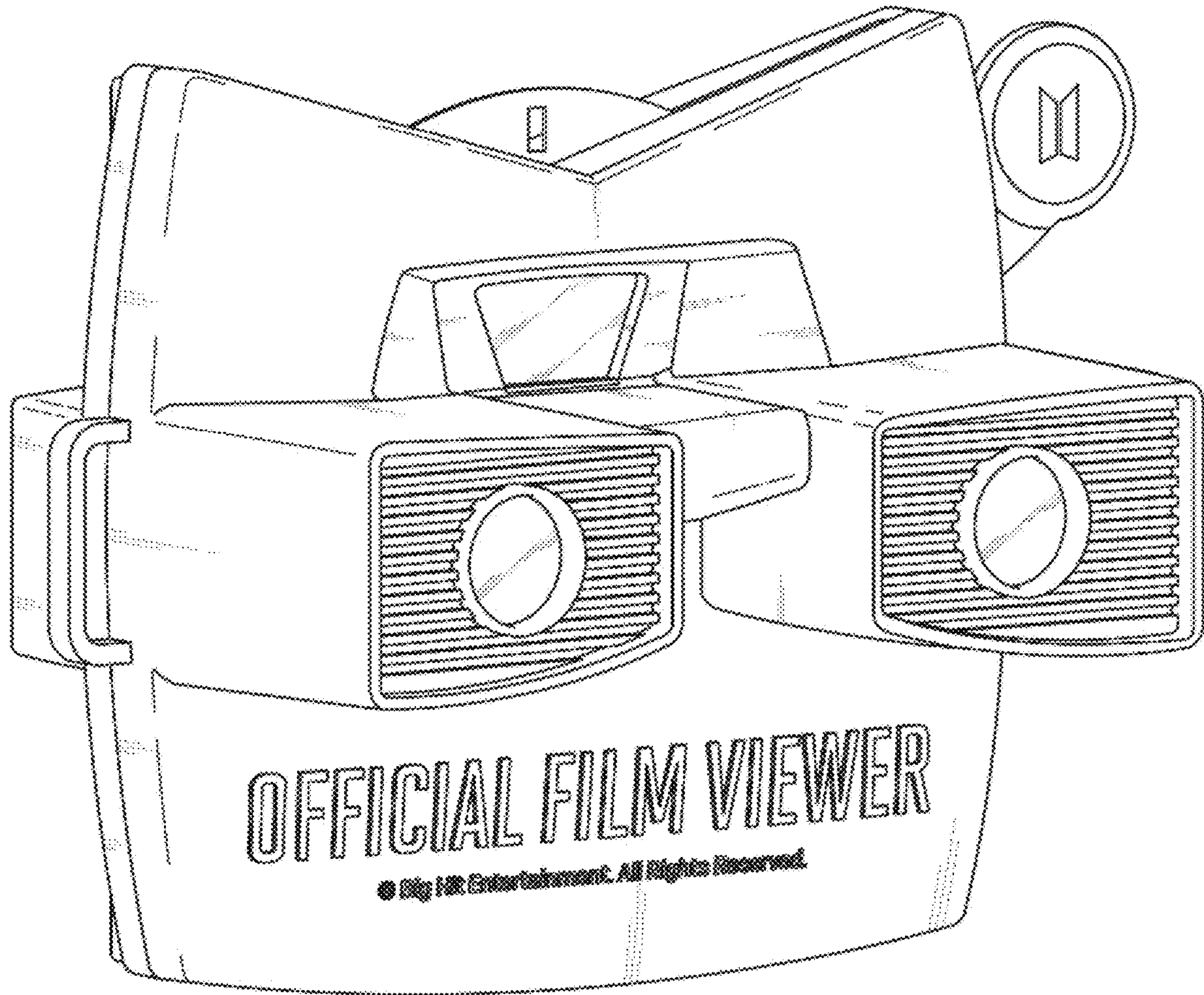


FIG. 1.8