



US00D982651S

(12) **United States Design Patent**  
**Ouyang**

(10) **Patent No.:** **US D982,651 S**

(45) **Date of Patent:** **\*\* Apr. 4, 2023**

(54) **TELEPROMPTER**

(71) Applicant: **Biqin Ouyang**, Shenzhen (CN)

(72) Inventor: **Biqin Ouyang**, Shenzhen (CN)

(\*\*) Term: **15 Years**

(21) Appl. No.: **29/863,584**

(22) Filed: **Dec. 20, 2022**

(51) **LOC (14) Cl.** ..... **16-02**

(52) **U.S. Cl.**  
USPC ..... **D16/221**

(58) **Field of Classification Search**  
USPC ..... D16/221-250; D14/251, 253, 447, 239,  
D14/126

CPC ..... G06F 3/481; G06F 3/485; H04N 5/2222;  
G02B 27/144; G11B 27/34; G03B 21/10;  
G03B 21/28

See application file for complete search history.

(56) **References Cited**

**U.S. PATENT DOCUMENTS**

D339,590 S *	9/1993	Zeper .....	D14/239
9,876,945 B2 *	1/2018	Arce .....	H04N 23/55
D956,028 S *	6/2022	Chen .....	D16/221
D957,373 S	7/2022	Wang et al.	
D958,765 S *	7/2022	Ruan .....	D14/126
D960,963 S *	8/2022	Chen .....	D16/221
D962,185 S *	8/2022	Ruan .....	D14/126
D969,094 S *	11/2022	Ruan .....	D14/126
D971,193 S *	11/2022	Huang .....	D14/239
2009/0256970 A1 *	10/2009	Bilbrey .....	H04N 5/2222 348/722

2014/0063469 A1 *	3/2014	Folcik .....	H04N 5/222 353/94
2017/0064158 A1 *	3/2017	Arce .....	H04N 5/2222
2020/0014823 A1 *	1/2020	Chen .....	G09G 3/20
2021/0278625 A1 *	9/2021	Chen .....	H04M 1/0272

\* cited by examiner

*Primary Examiner* — Mary Shannon Malley

*Assistant Examiner* — Christopher John Suarez La Rosa

(74) *Attorney, Agent, or Firm* — Xiaofang Zhong

(57) **CLAIM**

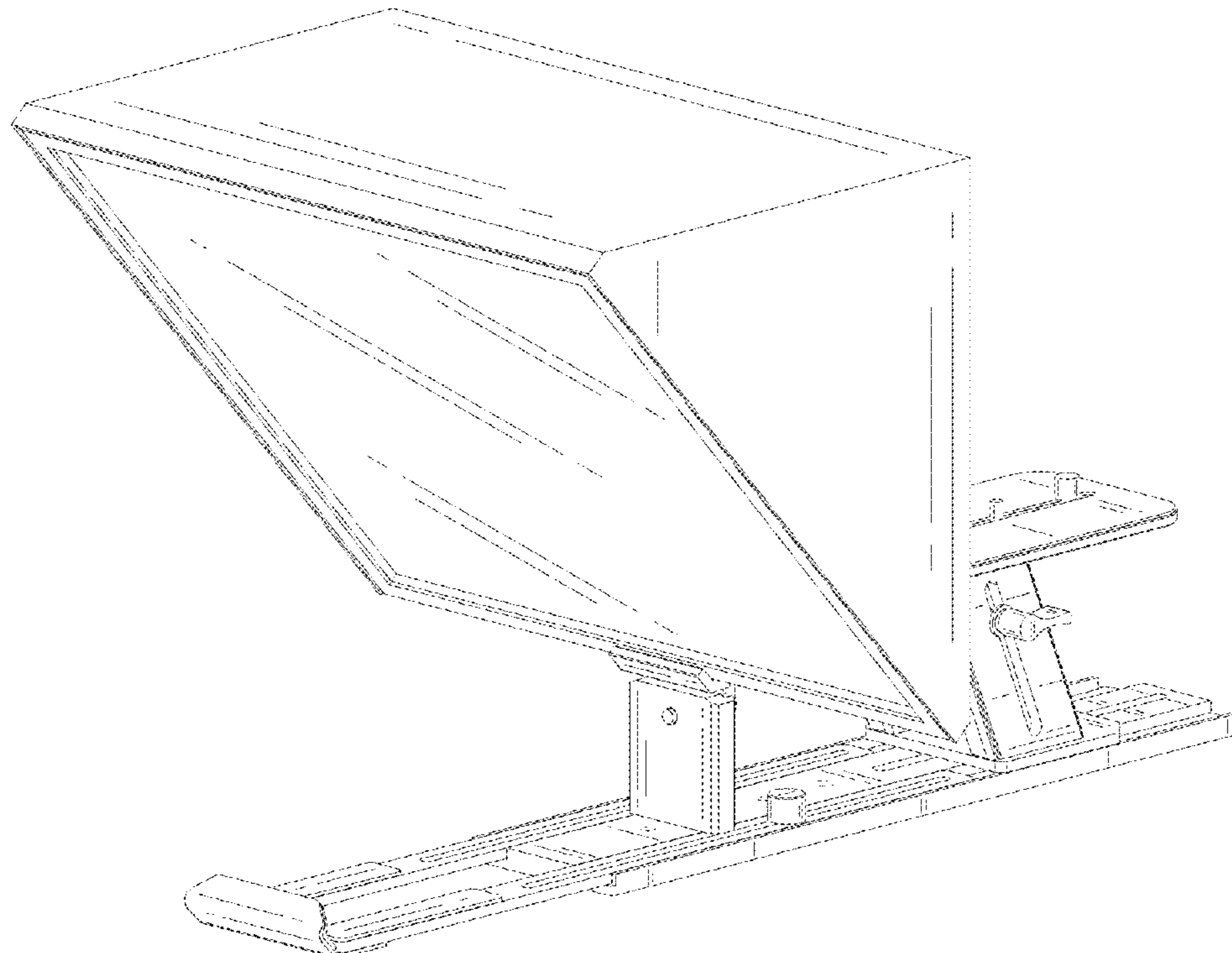
The ornamental design for a teleprompter, as shown and described.

**DESCRIPTION**

FIG. 1 is a front, left and top perspective view of a teleprompter showing my new design;  
 FIG. 2 is a rear, right and bottom perspective view thereof;  
 FIG. 3 is a front elevational view thereof;  
 FIG. 4 is a rear elevational view thereof;  
 FIG. 5 is a left view thereof;  
 FIG. 6 is a right view thereof;  
 FIG. 7 is a top plan view thereof;  
 FIG. 8 is a bottom plan view thereof; and,  
 FIG. 9 is a front, left and top perspective view thereof, showing the bottom parts of the teleprompter in an extended position.

The broken lines illustrate portions of the teleprompter that form no part of the claimed design

**1 Claim, 9 Drawing Sheets**



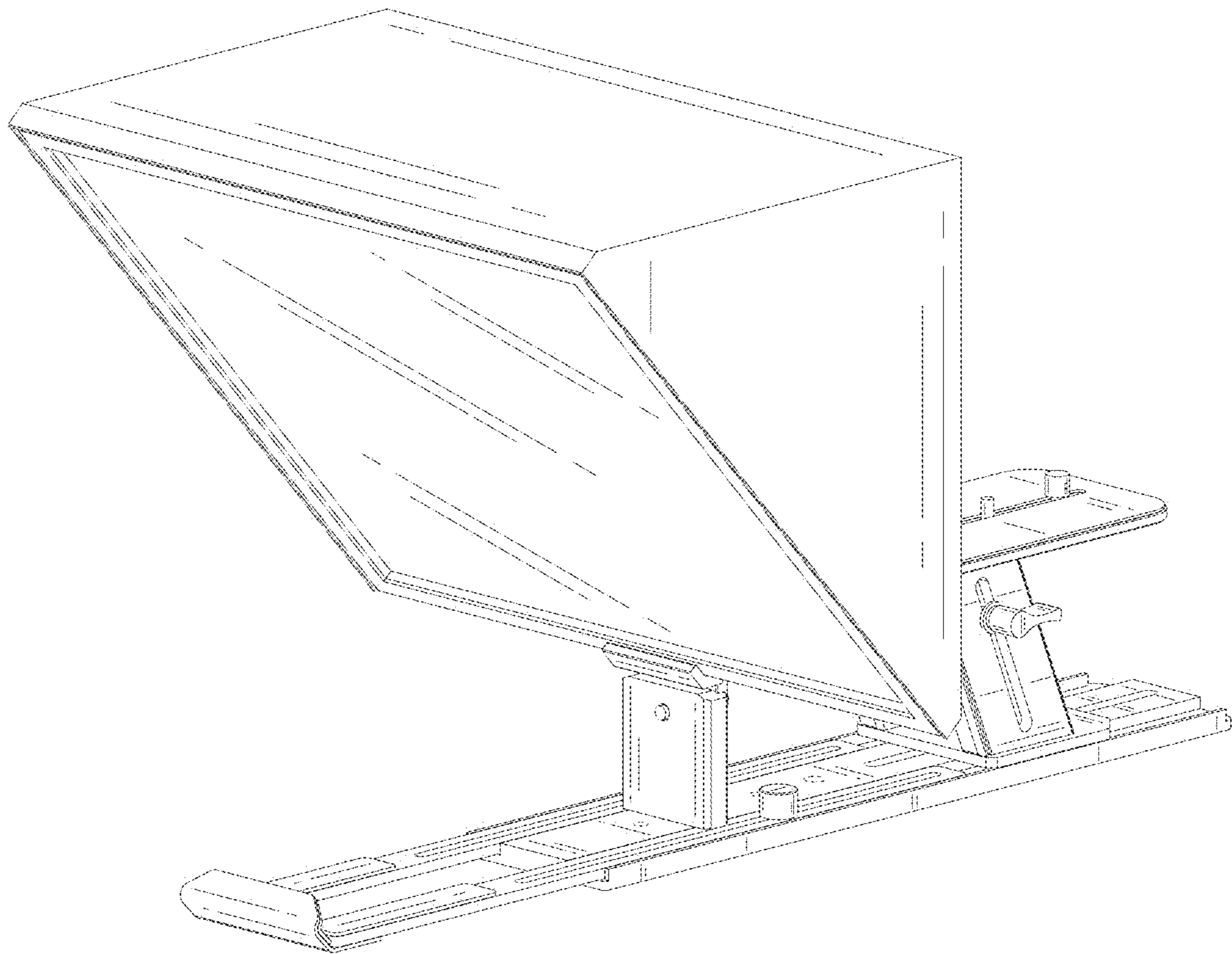


FIG. 1

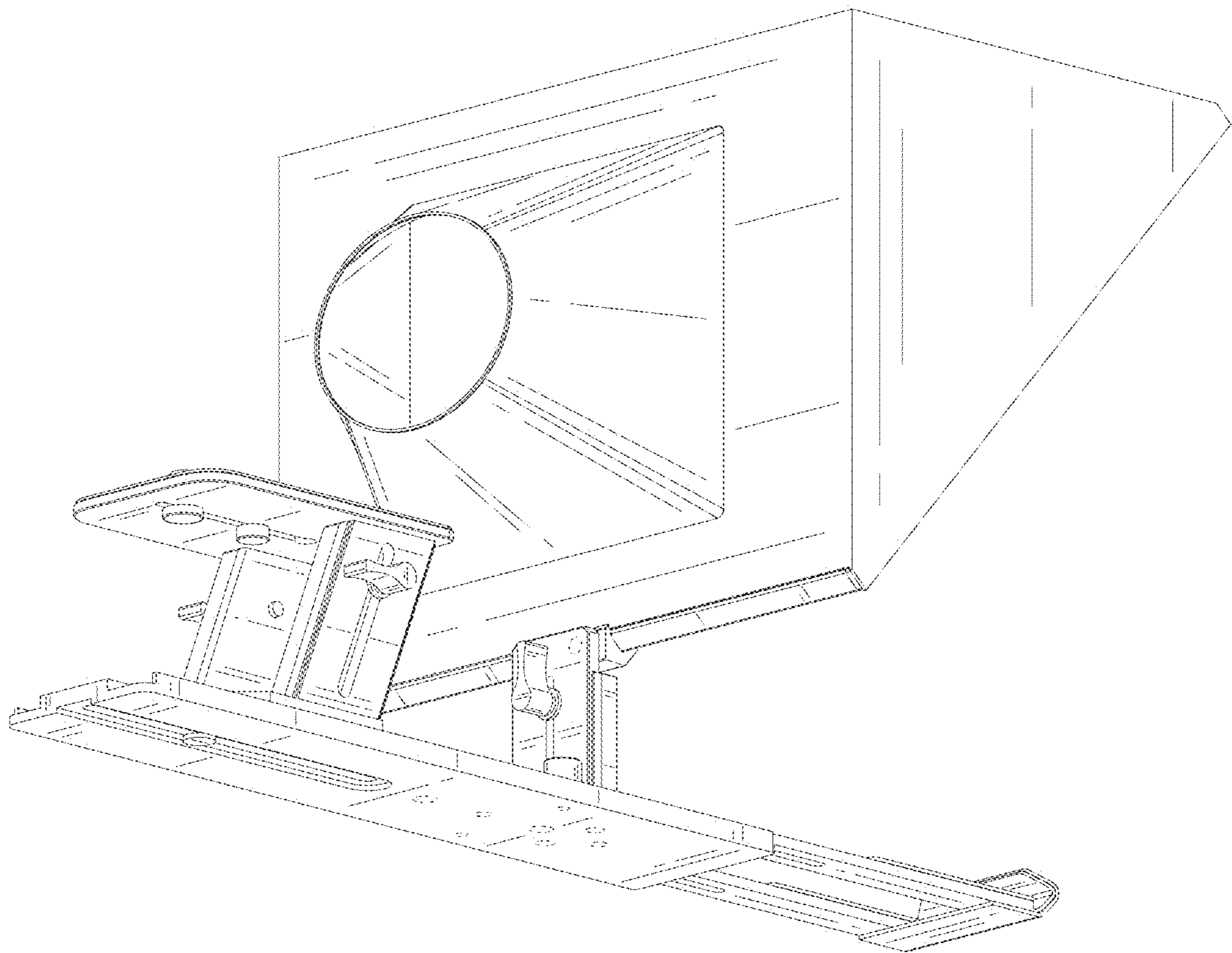


FIG. 2

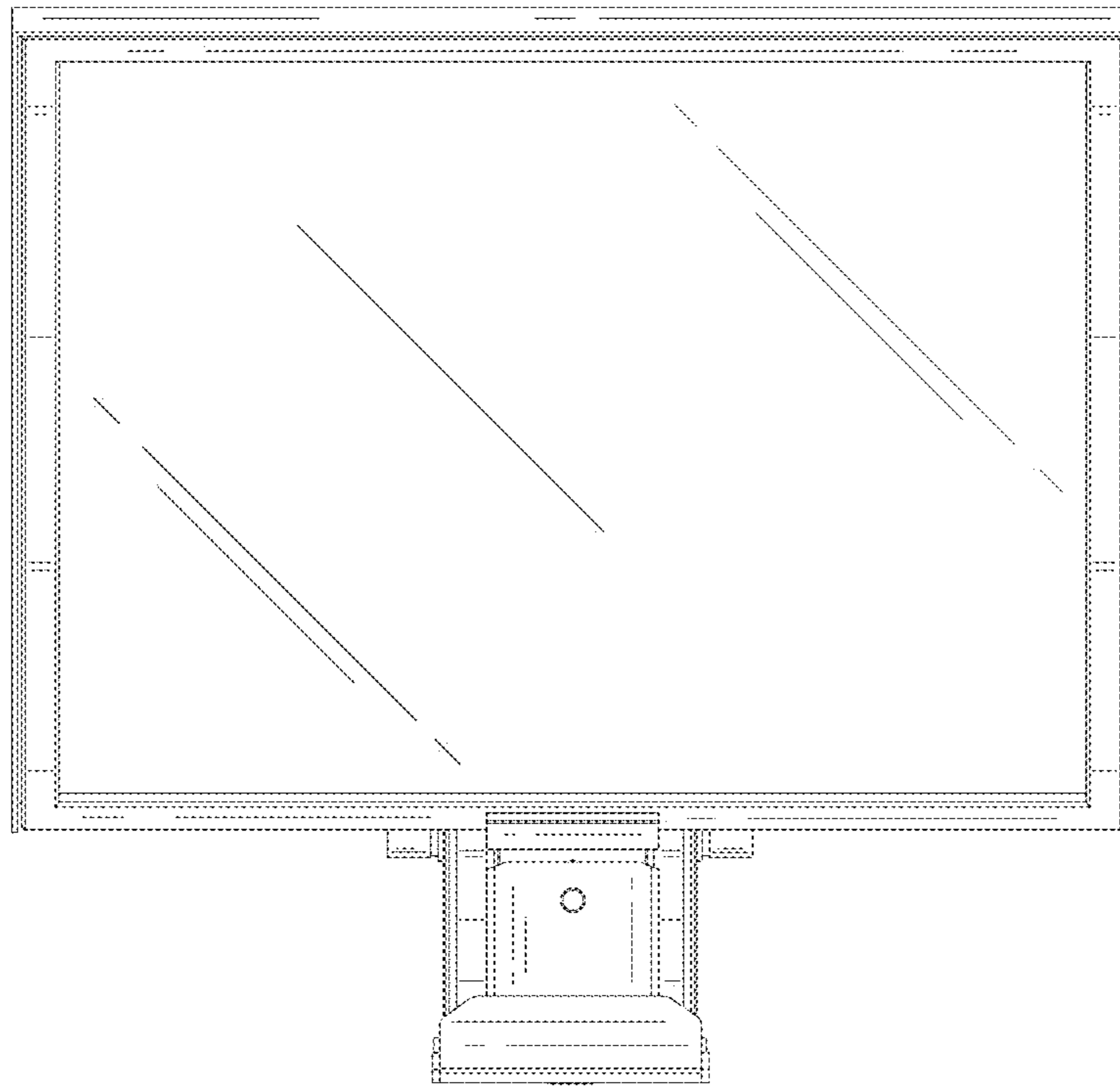


FIG. 3

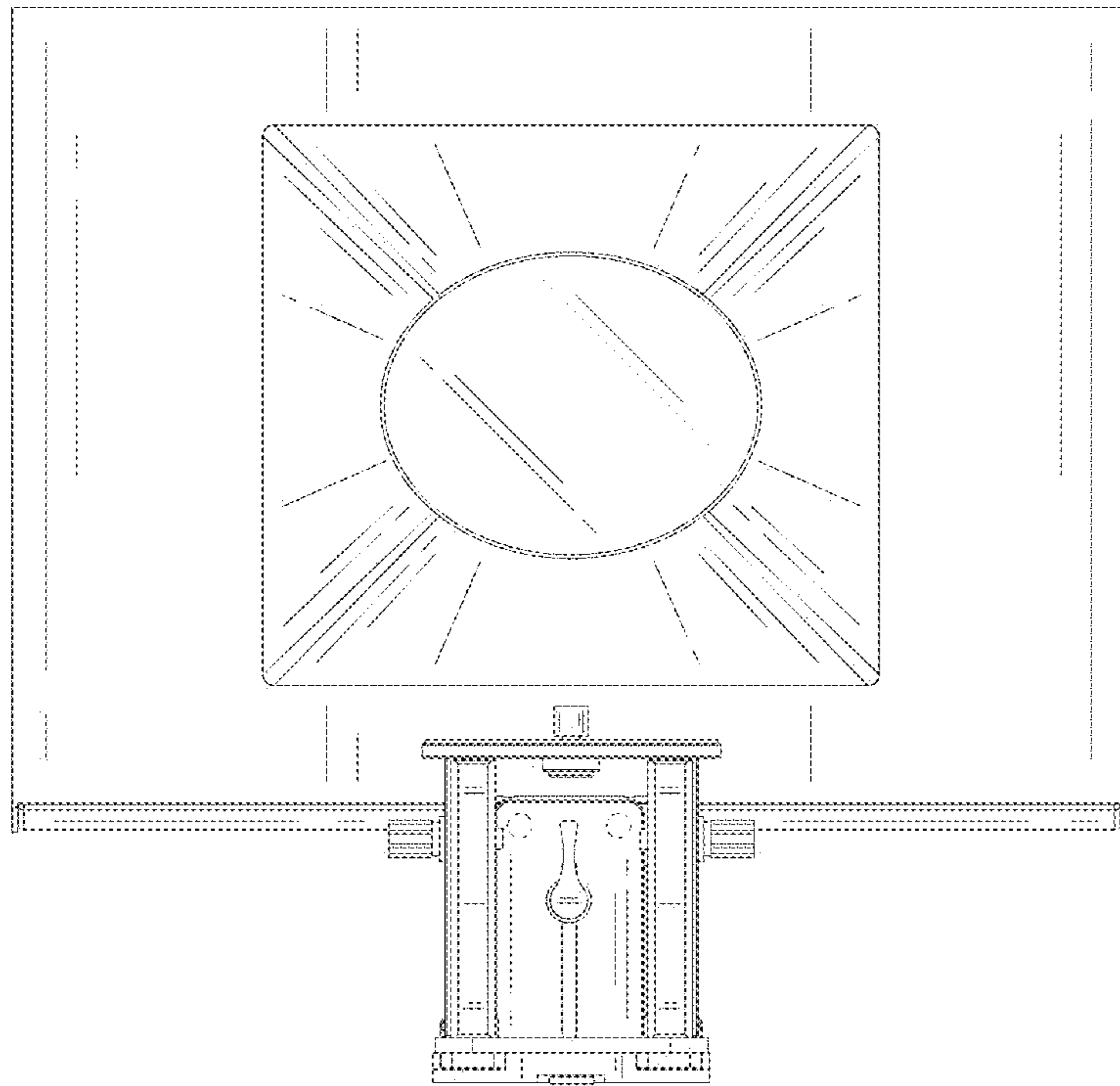


FIG. 4

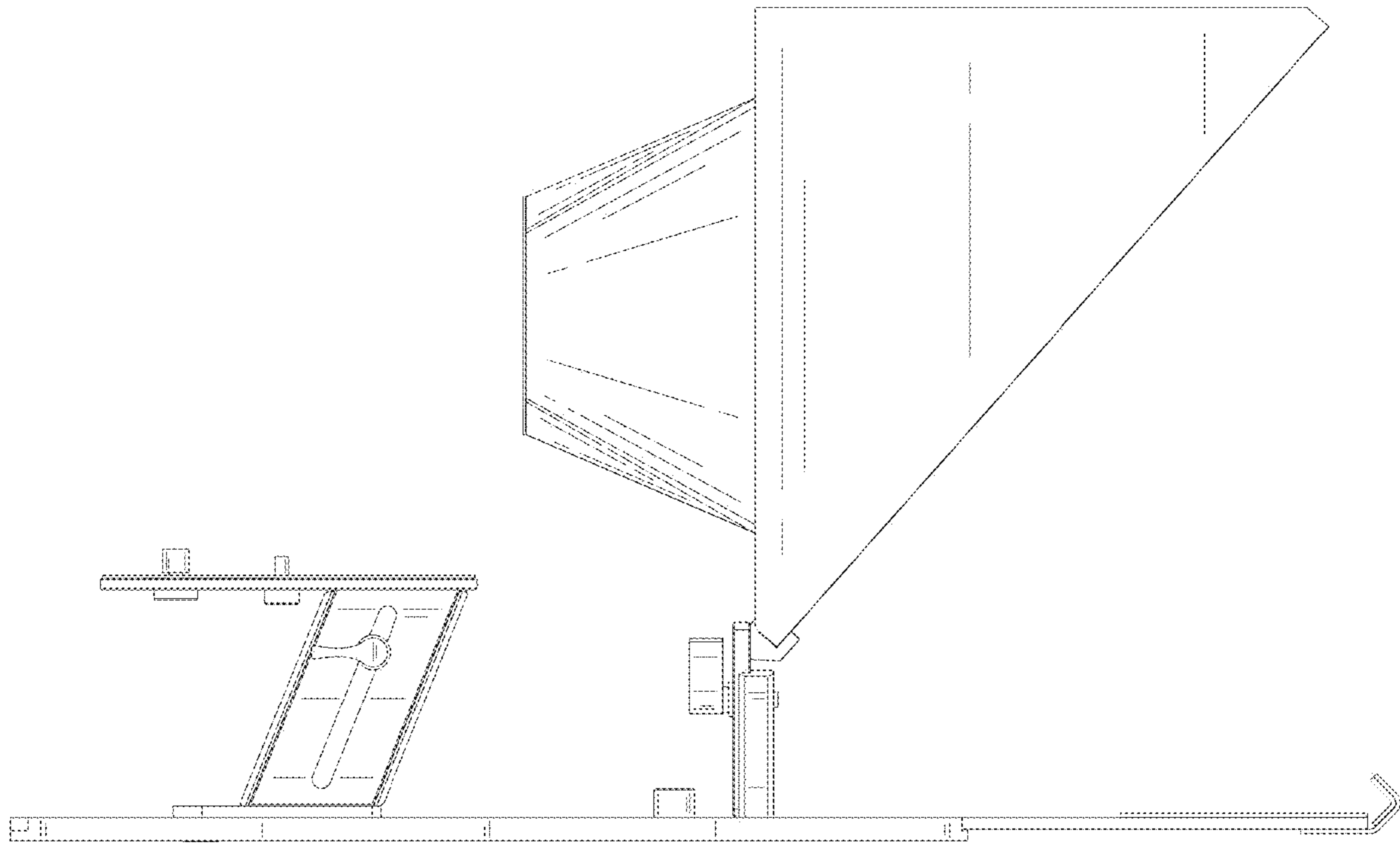


FIG. 5

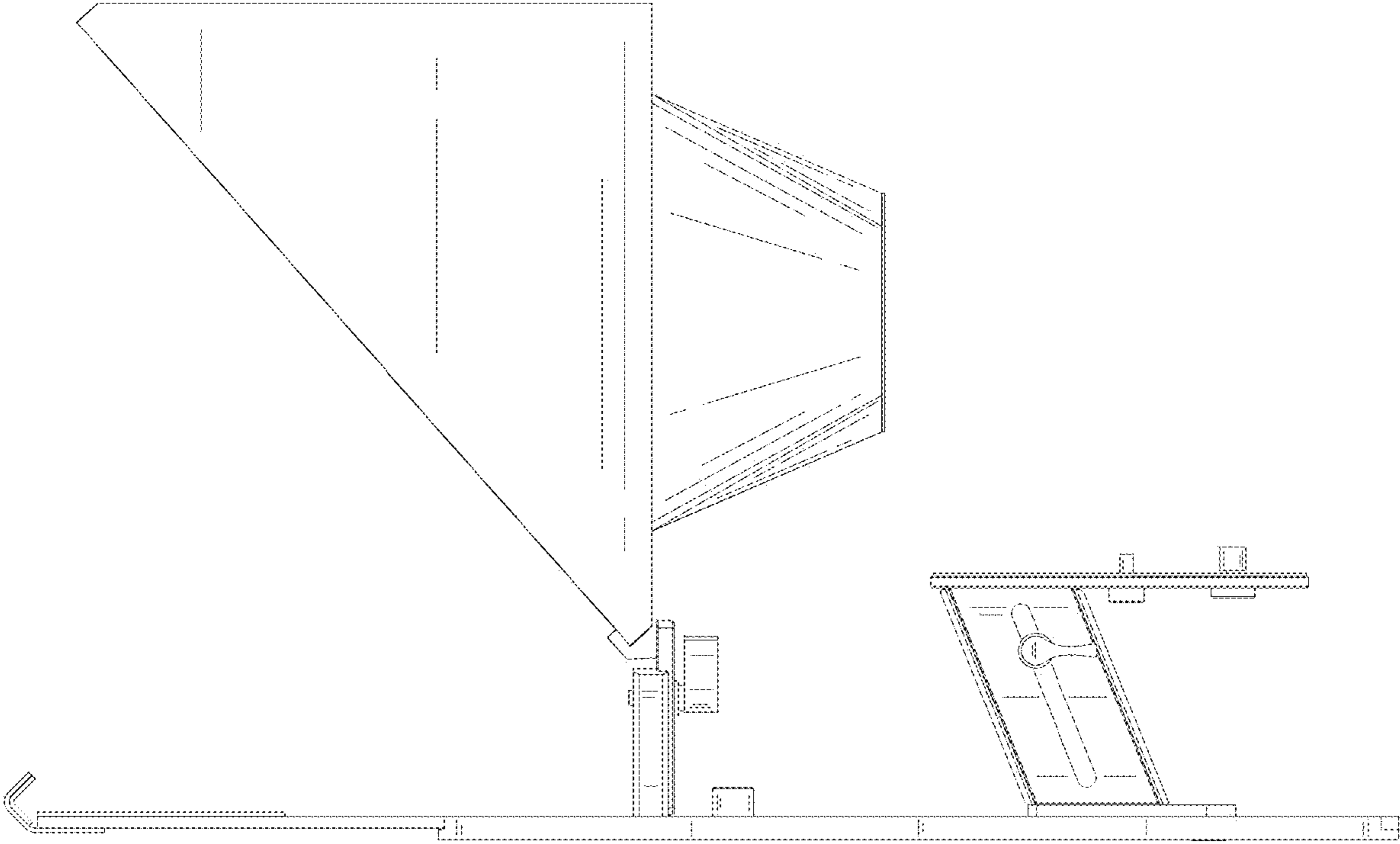


FIG. 6

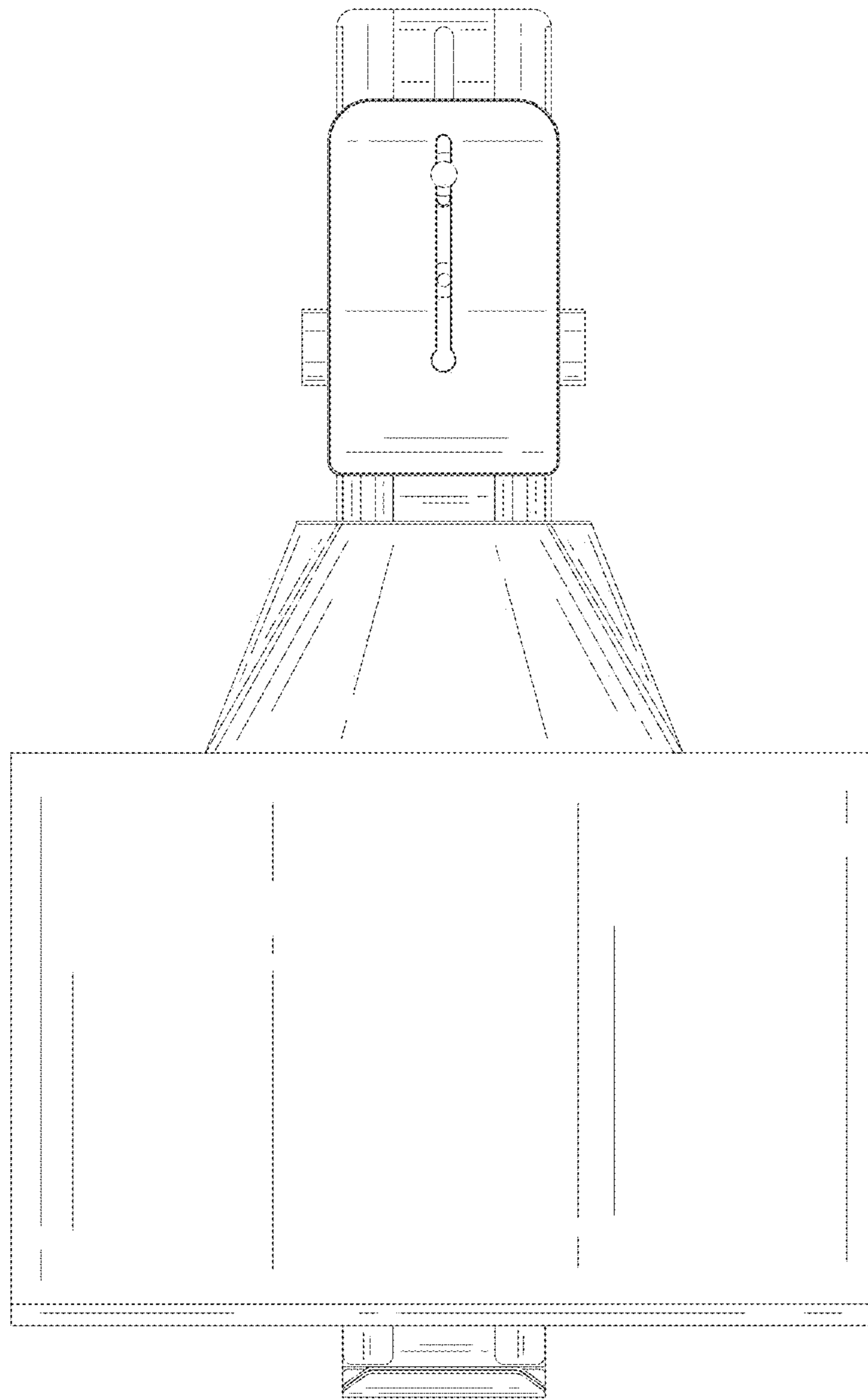


FIG. 7



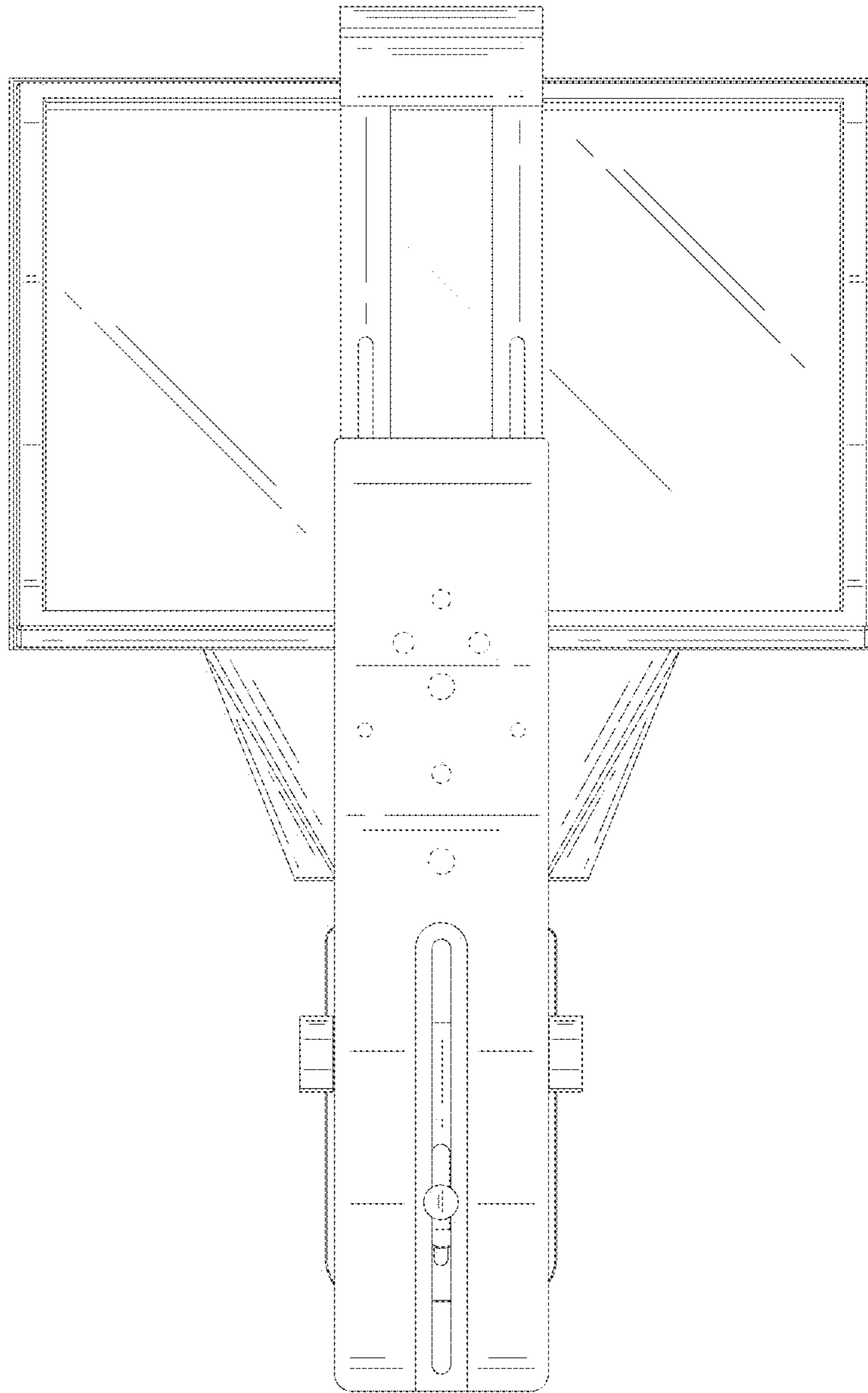


FIG. 8

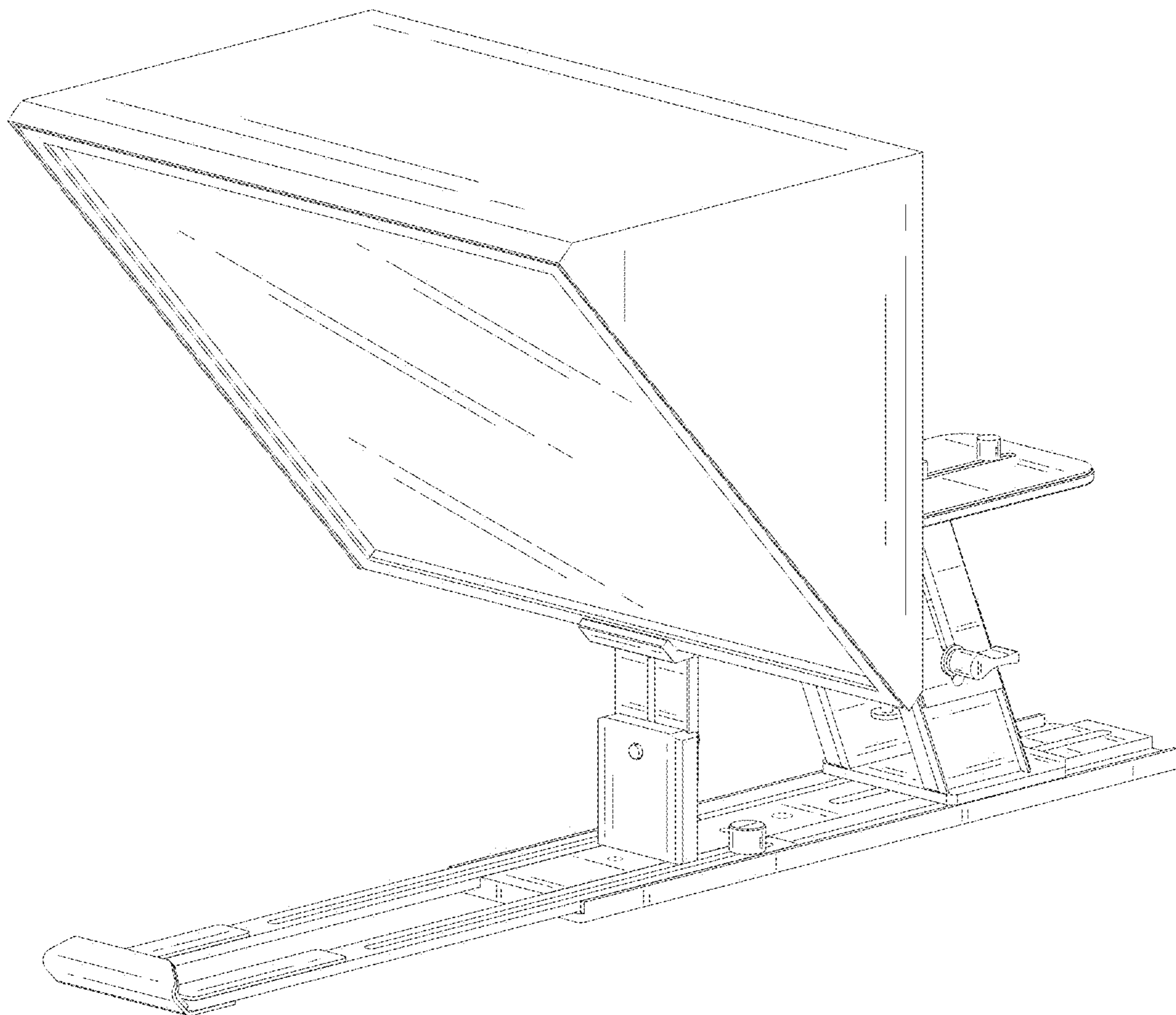


FIG. 9