



US00D982650S

(12) **United States Design Patent**
Ouyang

(10) **Patent No.:** **US D982,650 S**

(45) **Date of Patent:** **** Apr. 4, 2023**

(54) **TELEPROMPTER**

(71) Applicant: **Biqin Ouyang**, Shenzhen (CN)

(72) Inventor: **Biqin Ouyang**, Shenzhen (CN)

(**) Term: **15 Years**

(21) Appl. No.: **29/863,582**

(22) Filed: **Dec. 20, 2022**

(51) **LOC (14) Cl.** **16-02**

(52) **U.S. Cl.**
USPC **D16/221**

(58) **Field of Classification Search**
USPC D16/221-250; D14/251, 253, 447, 239,
D14/126

CPC G06F 3/481; G06F 3/485; H04N 5/2222;
G02B 27/144; G11B 27/34; G03B 21/10;
G03B 21/28

See application file for complete search history.

(56) **References Cited**

U.S. PATENT DOCUMENTS

D339,590 S *	9/1993	Zeper	D14/239
9,876,945 B2 *	1/2018	Arce	H04N 23/55
D956,028 S *	6/2022	Chen	D16/221
D957,373 S	7/2022	Wang et al.		
D958,765 S *	7/2022	Ruan	D14/126
D960,963 S *	8/2022	Chen	D16/221
D962,185 S *	8/2022	Ruan	D14/126
D969,094 S *	11/2022	Ruan	D14/126
D971,193 S *	11/2022	Huang	D14/239
2009/0256970 A1 *	10/2009	Bilbrey	H04N 5/2222 348/722
2014/0063469 A1 *	3/2014	Folcik	H04N 5/222 353/94

2017/0064158 A1 *	3/2017	Arce	H04N 5/2222
2020/0014823 A1 *	1/2020	Chen	G09G 3/20
2021/0278625 A1 *	9/2021	Chen	H04M 1/0272

* cited by examiner

Primary Examiner — Mary Shannon Malley

Assistant Examiner — Christopher John Suarez La Rosa

(74) *Attorney, Agent, or Firm* — Xiaofang Zhong

(57) **CLAIM**

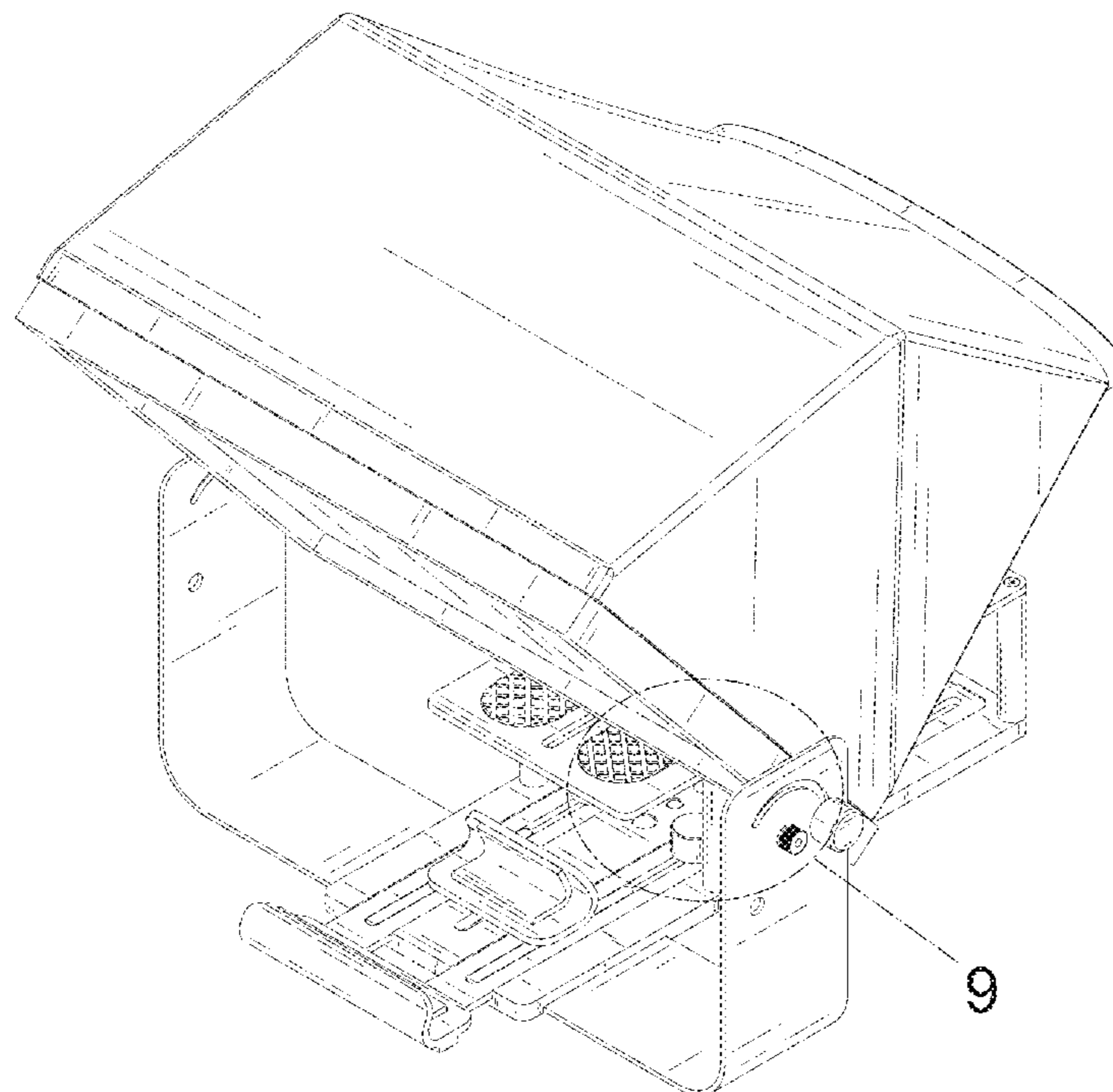
The ornamental design for a teleprompter, as shown and described.

DESCRIPTION

FIG. 1 is a front, left and top perspective view of a teleprompter showing my new design;
 FIG. 2 is a rear, right and bottom perspective view thereof;
 FIG. 3 is a front elevational view thereof;
 FIG. 4 is a rear elevational view thereof;
 FIG. 5 is a left view thereof;
 FIG. 6 is a right view thereof;
 FIG. 7 is a top plan view thereof;
 FIG. 8 is a bottom plan view thereof;
 FIG. 9 is an enlarged view of a portion labeled as 9 on FIG. 1; and,
 FIG. 10 is an enlarged view of a portion labeled as 10 on FIG. 2.

The dash-dash broken lines illustrate portions of the teleprompter that form no part of the claimed design. The long dash-short dash broken lines shown in FIGS. 1, 2, 9, and 10 depict enlargement boundaries that form no part of the claimed design.

1 Claim, 10 Drawing Sheets



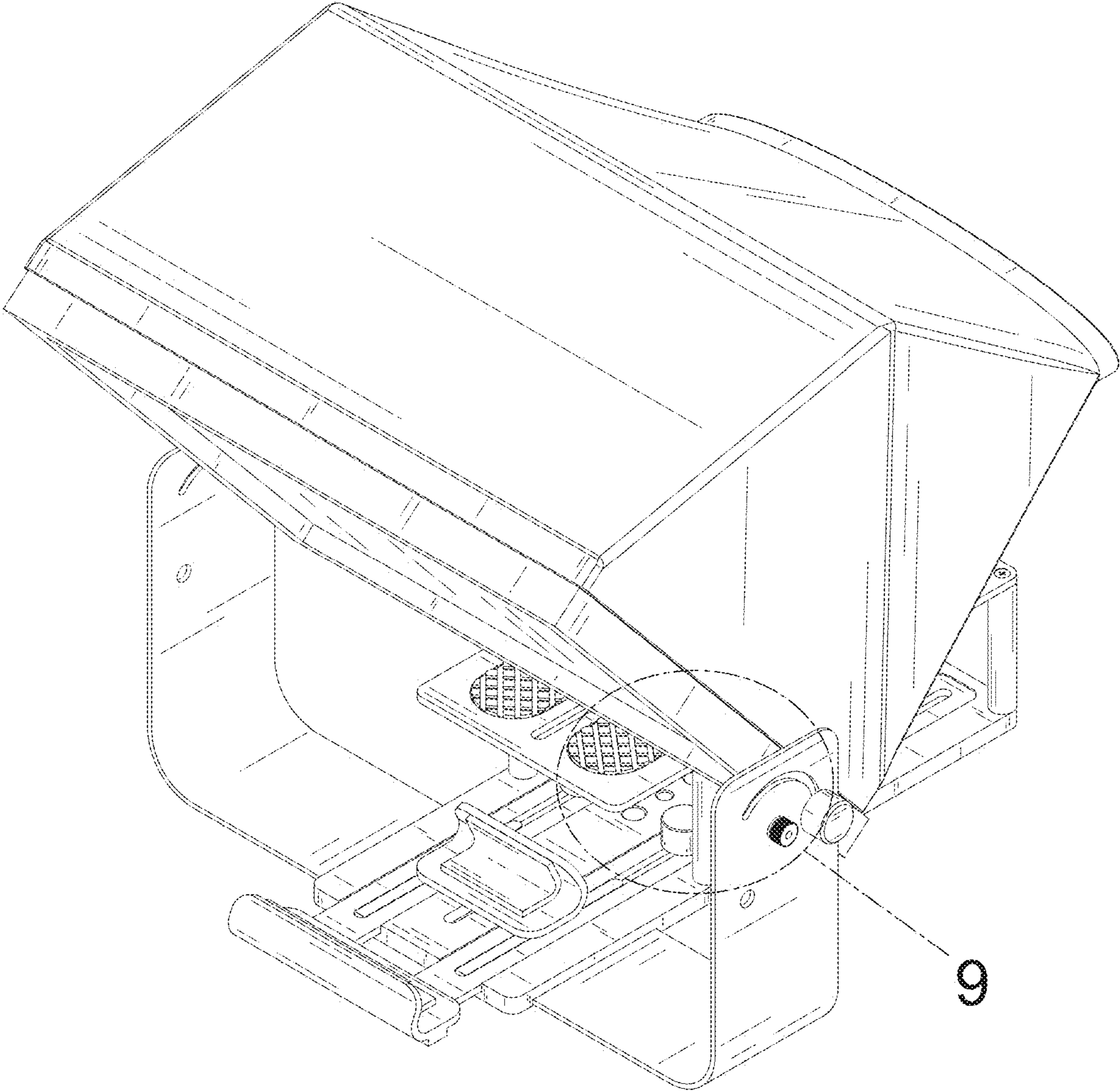


FIG. 1

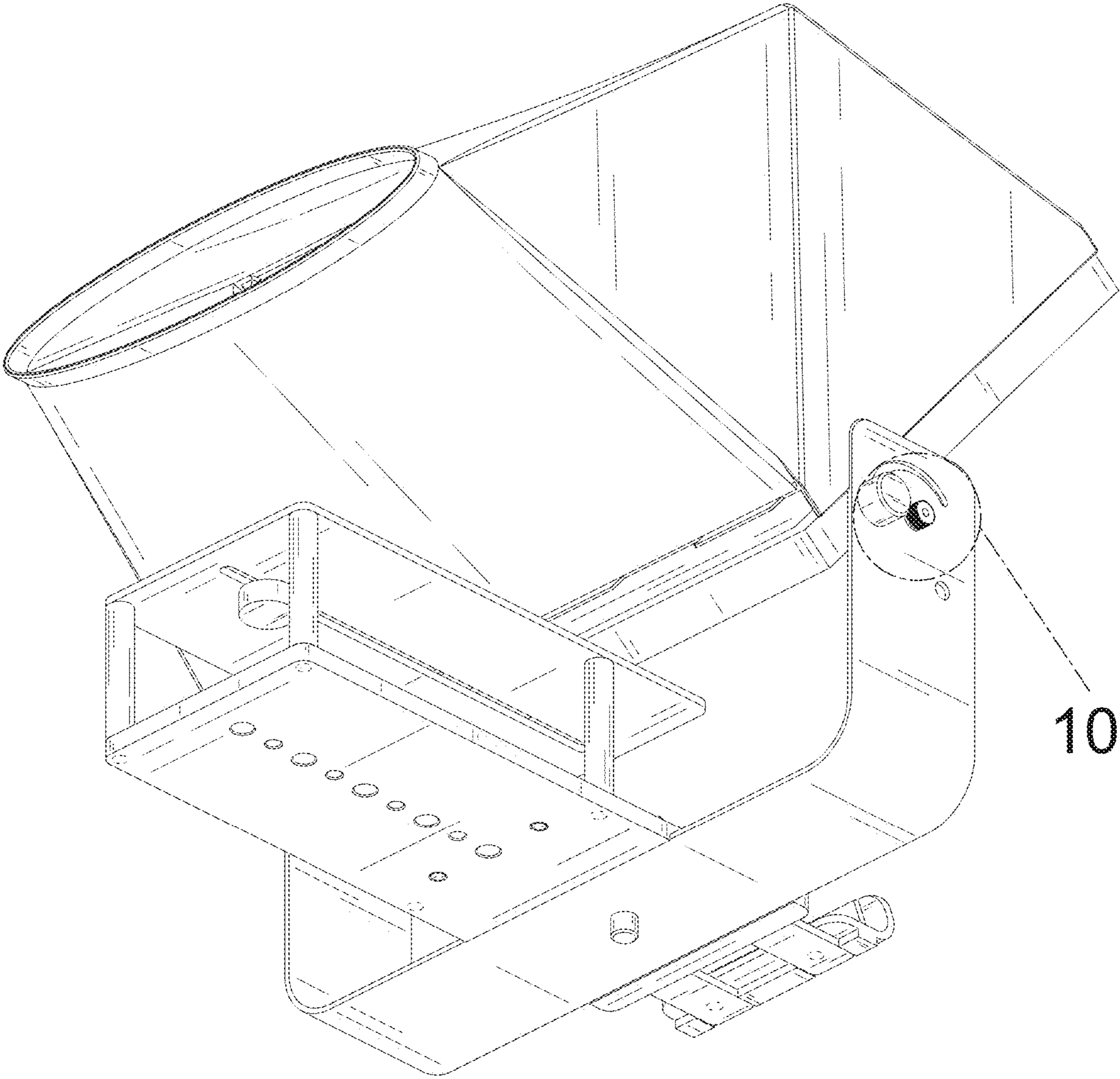


FIG. 2

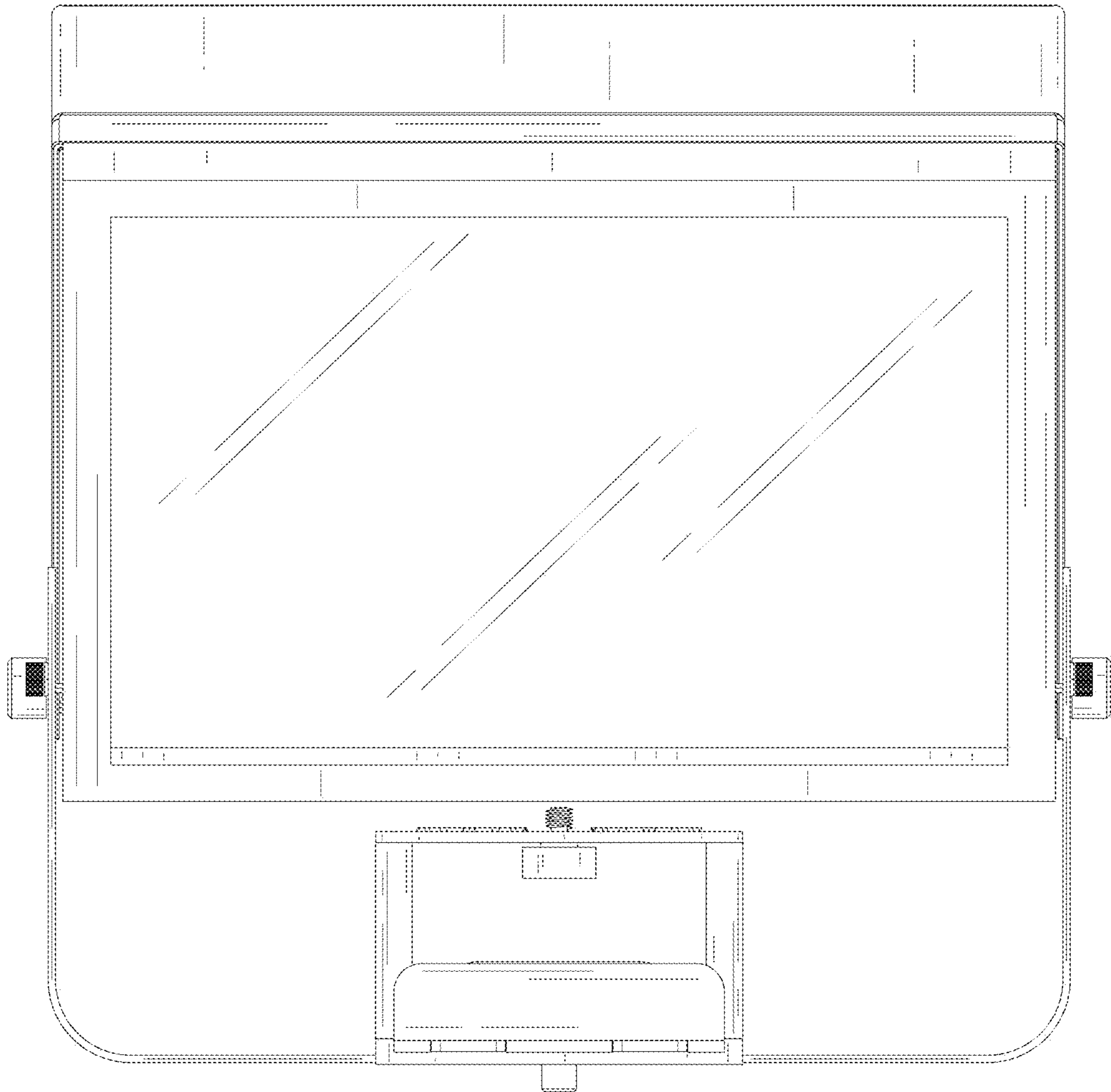


FIG. 3

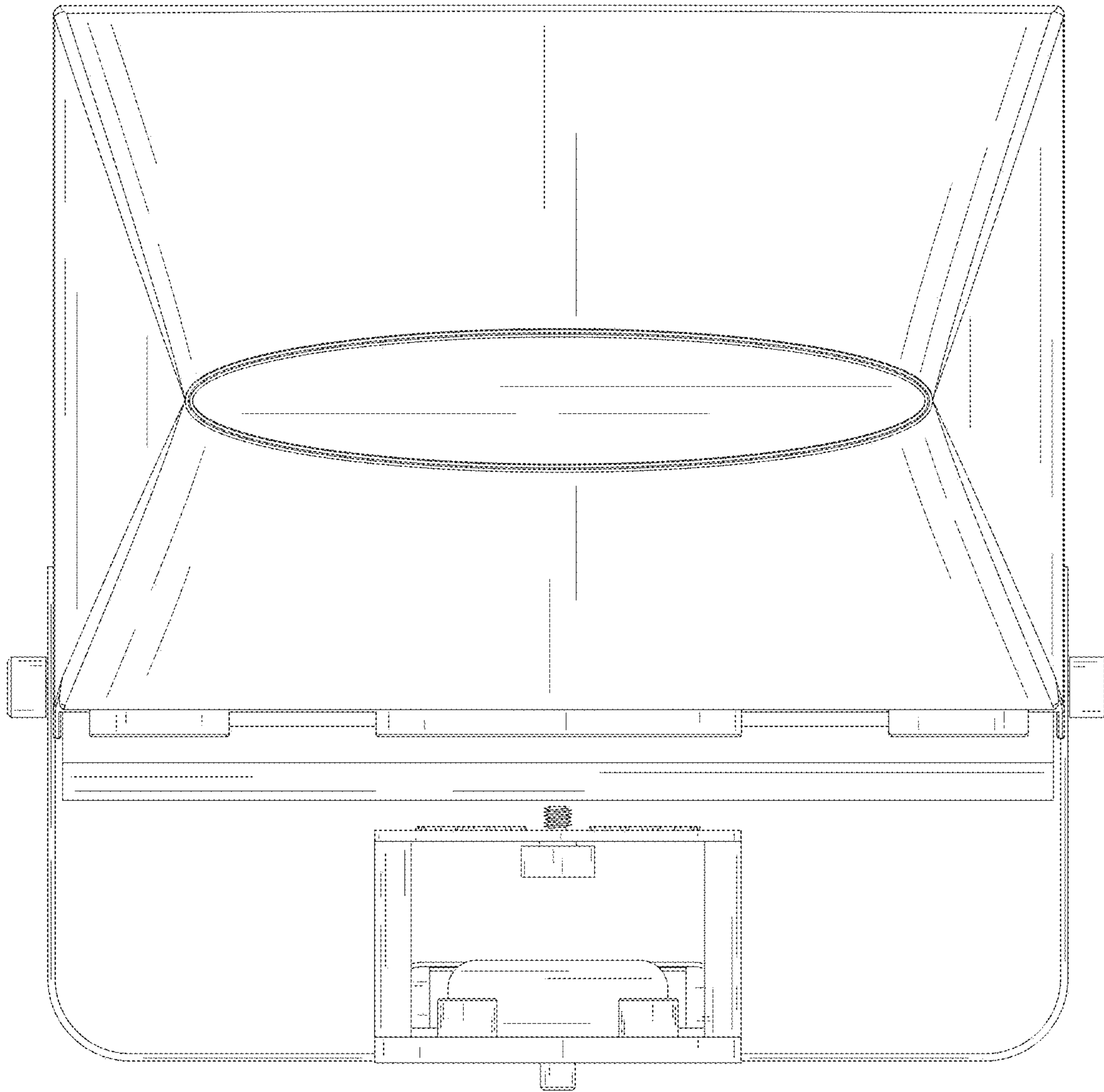


FIG. 4

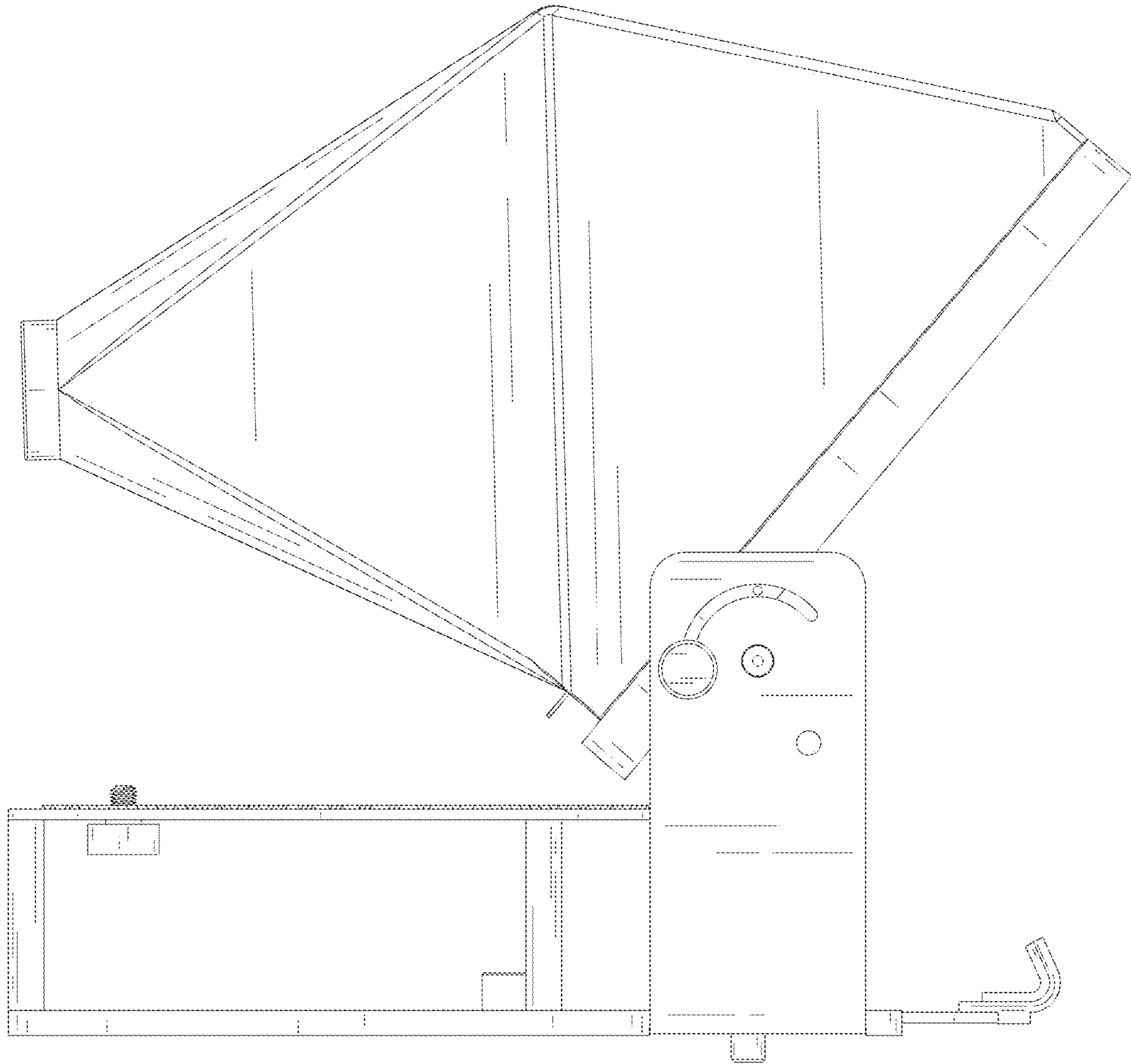


FIG. 5

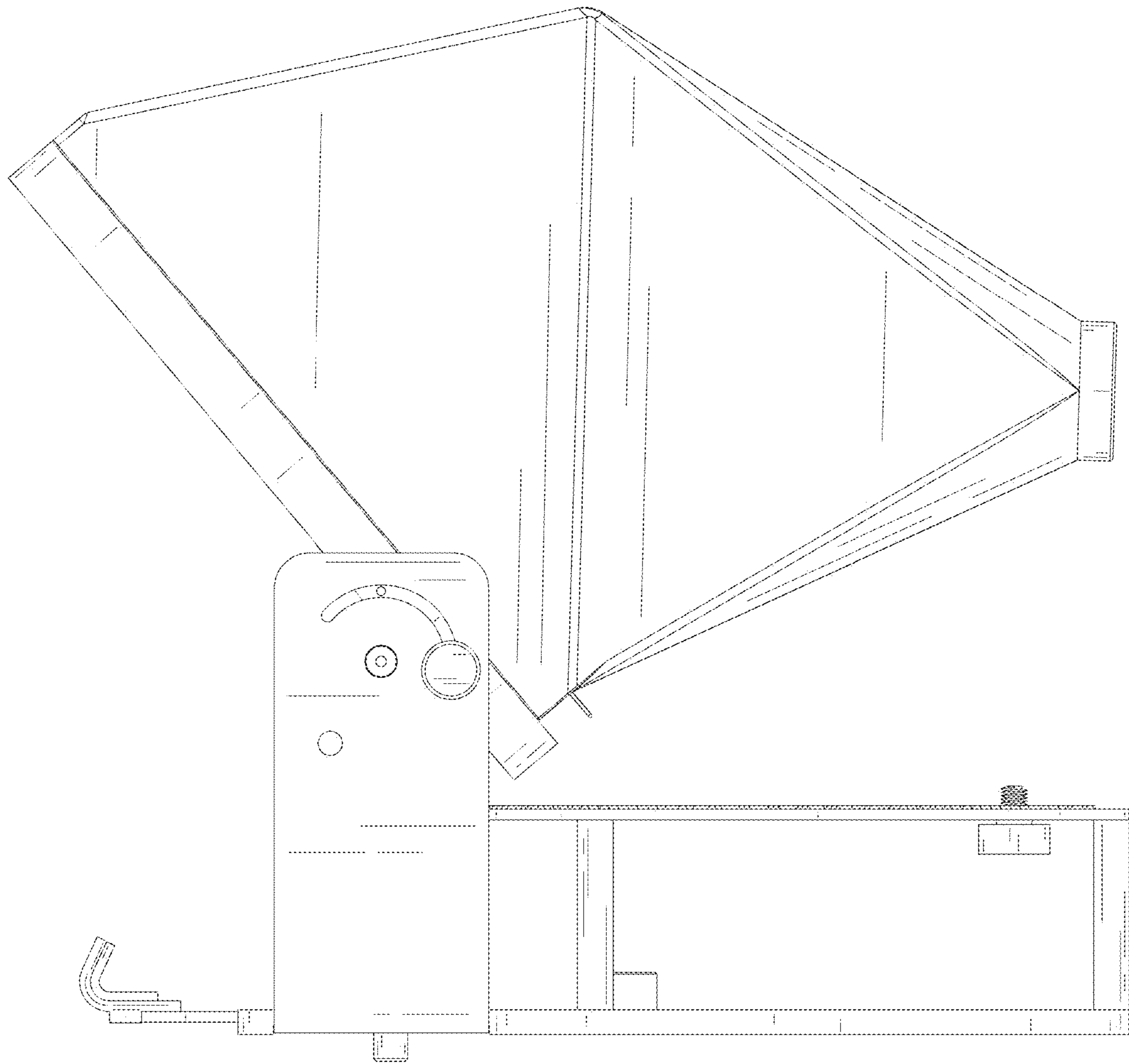


FIG. 6

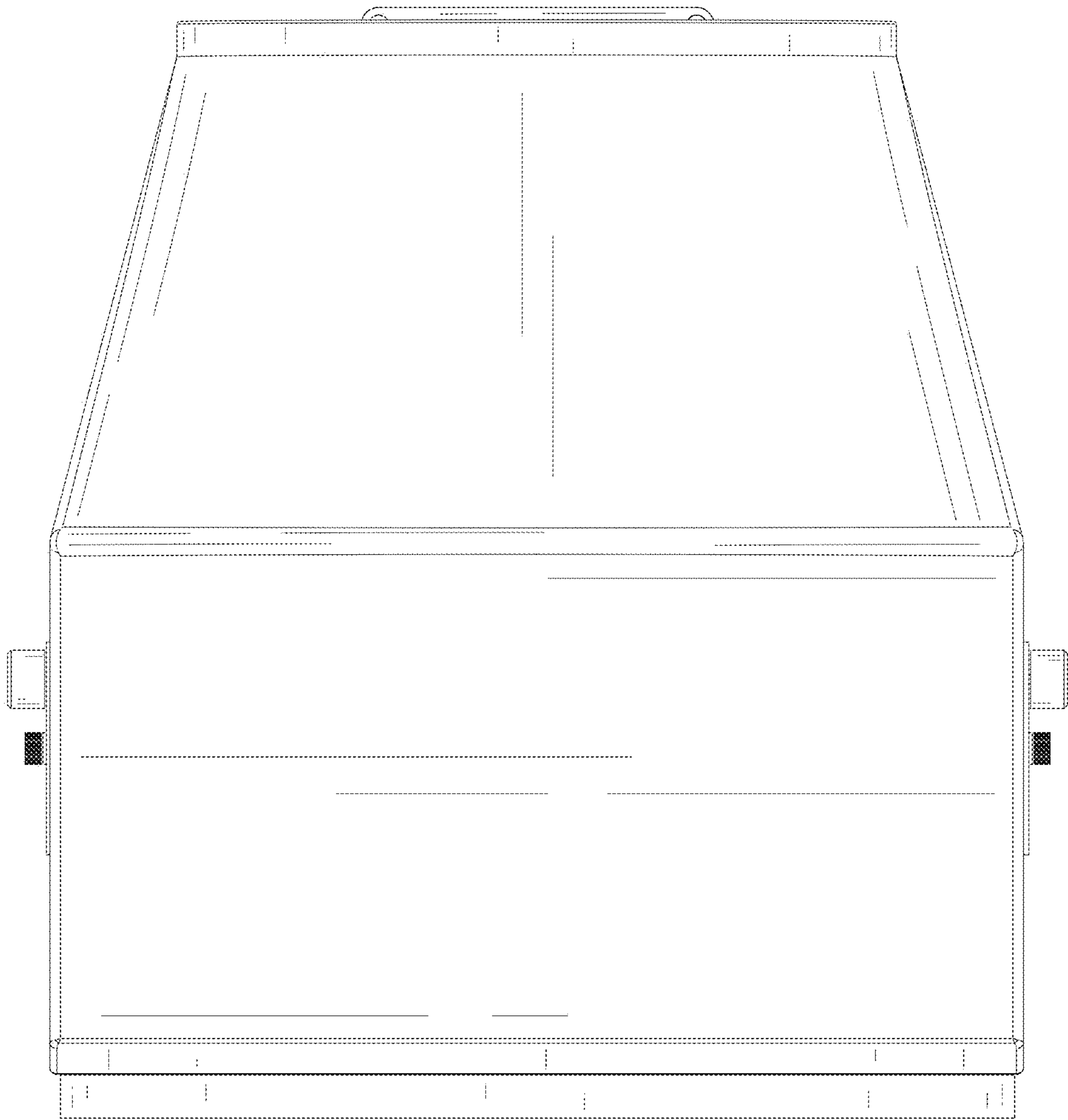


FIG. 7

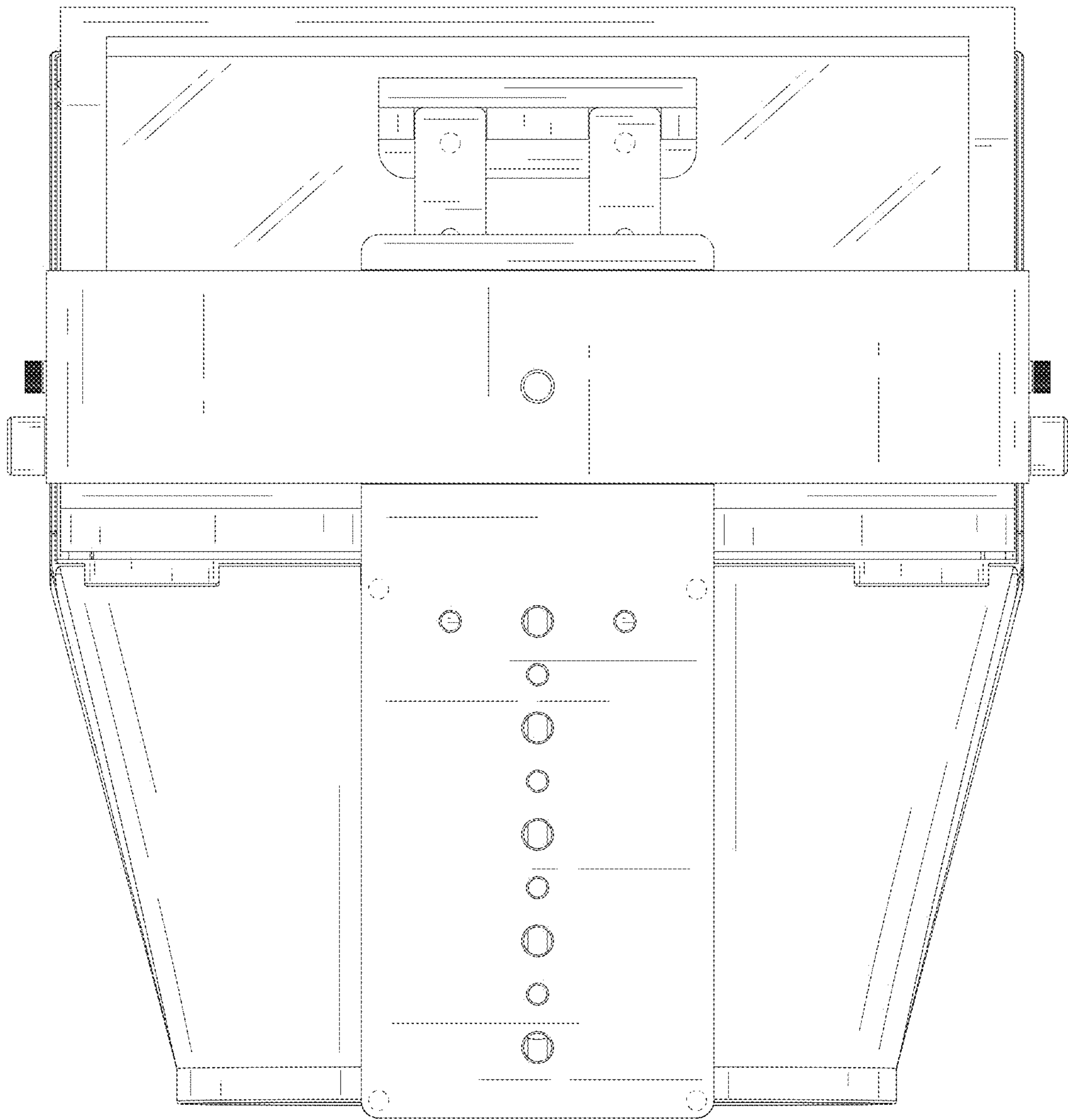


FIG. 8

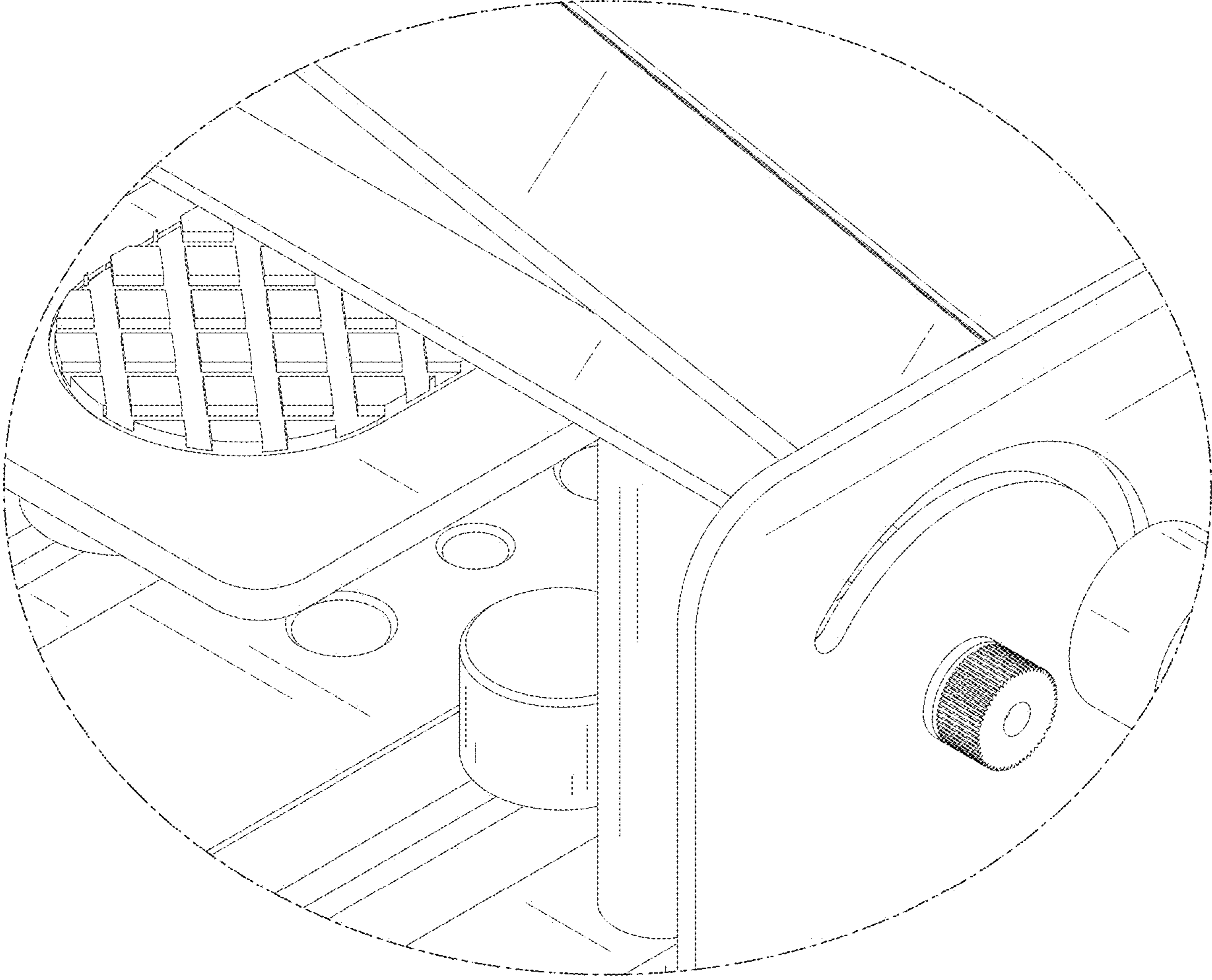


FIG. 9

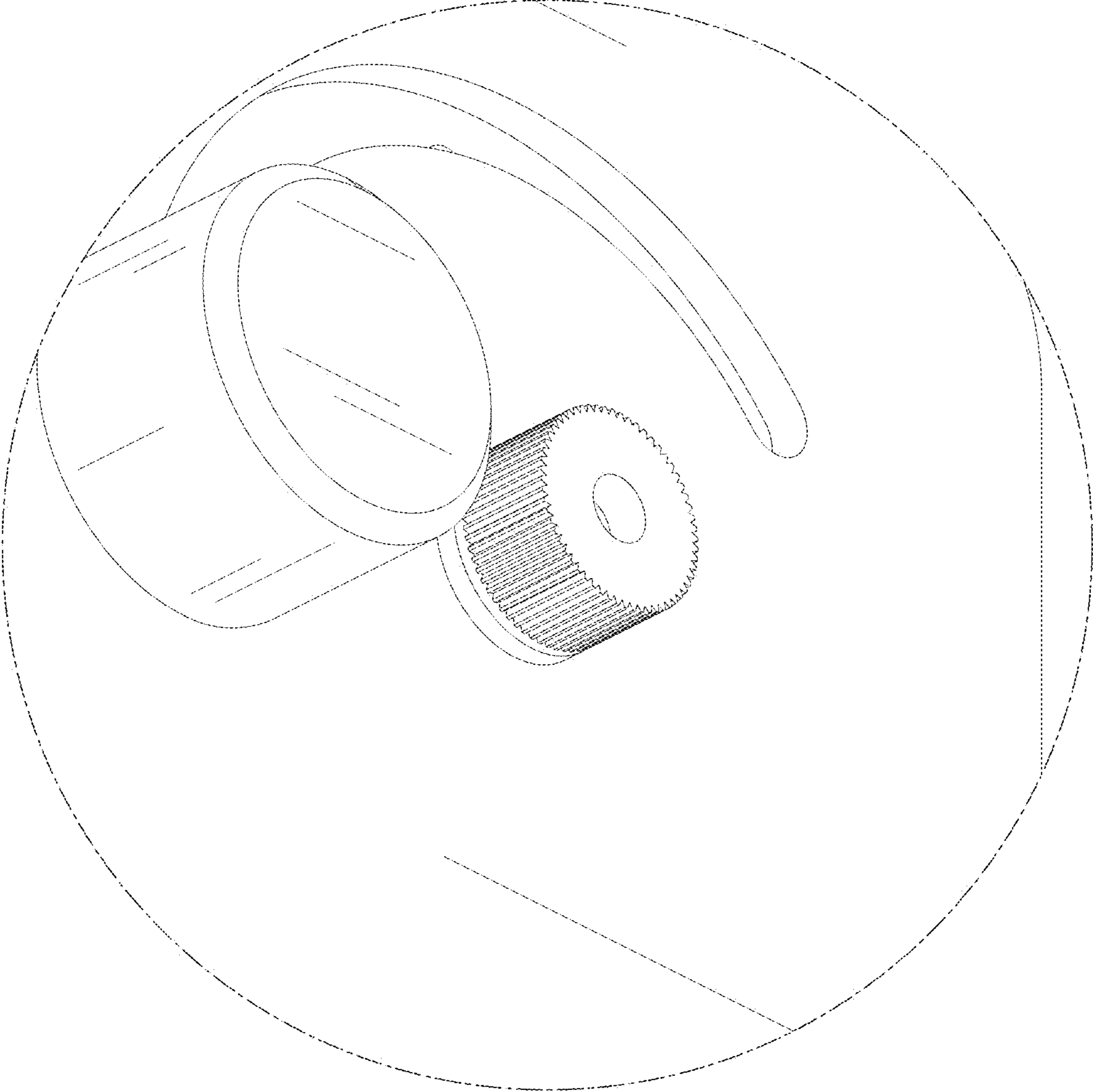


FIG. 10