



US00D982649S

(12) **United States Design Patent**  
**Li**

(10) **Patent No.:** **US D982,649 S**

(45) **Date of Patent:** **\*\* Apr. 4, 2023**

(54) **LENS**

(71) Applicant: **Lingjun Li**, Shenzhen (CN)

(72) Inventor: **Lingjun Li**, Shenzhen (CN)

(\*\*) Term: **15 Years**

(21) Appl. No.: **29/852,051**

(22) Filed: **Sep. 2, 2022**

(51) **LOC (14) Cl.** ..... **16-01**

(52) **U.S. Cl.**

USPC ..... **D16/219**

(58) **Field of Classification Search**

USPC ..... D16/200, 202, 216, 217, 219, 130, 134

CPC ..... G03B 11/00; G03B 11/041; G03B 17/00;

G03B 17/02; G03B 17/56; G03B 17/58;

G03B 19/12; G03B 2217/00; H04N

5/2254

See application file for complete search history.

(56) **References Cited**

**U.S. PATENT DOCUMENTS**

2,323,005	A *	6/1943	Bertele	.....	G03B 19/12
					396/386
D175,401	S *	8/1955	Gottschalk et al.	.....	D16/130
3,128,684	A *	4/1964	Wernertrankner	.....	G03B 19/12
					355/71
3,250,195	A *	5/1966	Maitani	.....	G03B 19/12
					396/386
3,646,868	A *	3/1972	Sekida	.....	G03B 19/12
					396/356
3,783,764	A *	1/1974	Baker	.....	G03B 19/12
					396/386
3,860,940	A *	1/1975	Baker	.....	G03B 19/12
					396/386
D619,633	S *	7/2010	Chen	.....	D16/101
D697,664	S *	1/2014	Castillo	.....	D26/124
D780,820	S	3/2017	Sedazzari		
D813,286	S	3/2018	Sedazzari		
D912,715	S *	3/2021	Suzuki	.....	D13/184
2005/0088562	A1 *	4/2005	Noto	.....	G03B 17/17
					348/335

**FOREIGN PATENT DOCUMENTS**

KR 301135238.0000 \* 11/2021

**OTHER PUBLICATIONS**

“Apixel Professional Macro Photography Lens for Smartphone, Macro Lenses for iPhone, Samsung, Galaxy, Oneplus, Android Phone(Fits for Almost All Phone), Cell Phone Macro Lens Attachment for iPhone 13” from Amazon.com, first available Jun. 26, 2019 from the internet <<https://www.amazon.com/Apixel-Professional-Photography-Samsung-Smartphones/dp/B07TPLKT7D/>> (Year: 2019).\*

\* cited by examiner

*Primary Examiner* — George D. Kirschbaum

*Assistant Examiner* — Lacey Chey Bowman

(74) *Attorney, Agent, or Firm* — Jeenam Park

(57) **CLAIM**

The ornamental design for a lens, as shown and described.

**DESCRIPTION**

FIG. 1 is a front, right and top perspective view of a lens, showing my new design;

FIG. 2 is a rear, left and bottom perspective view thereof;

FIG. 3 is a front view thereof;

FIG. 4 is a rear view thereof;

FIG. 5 is a left side view thereof;

FIG. 6 is a right side view thereof;

FIG. 7 is a top plan view thereof;

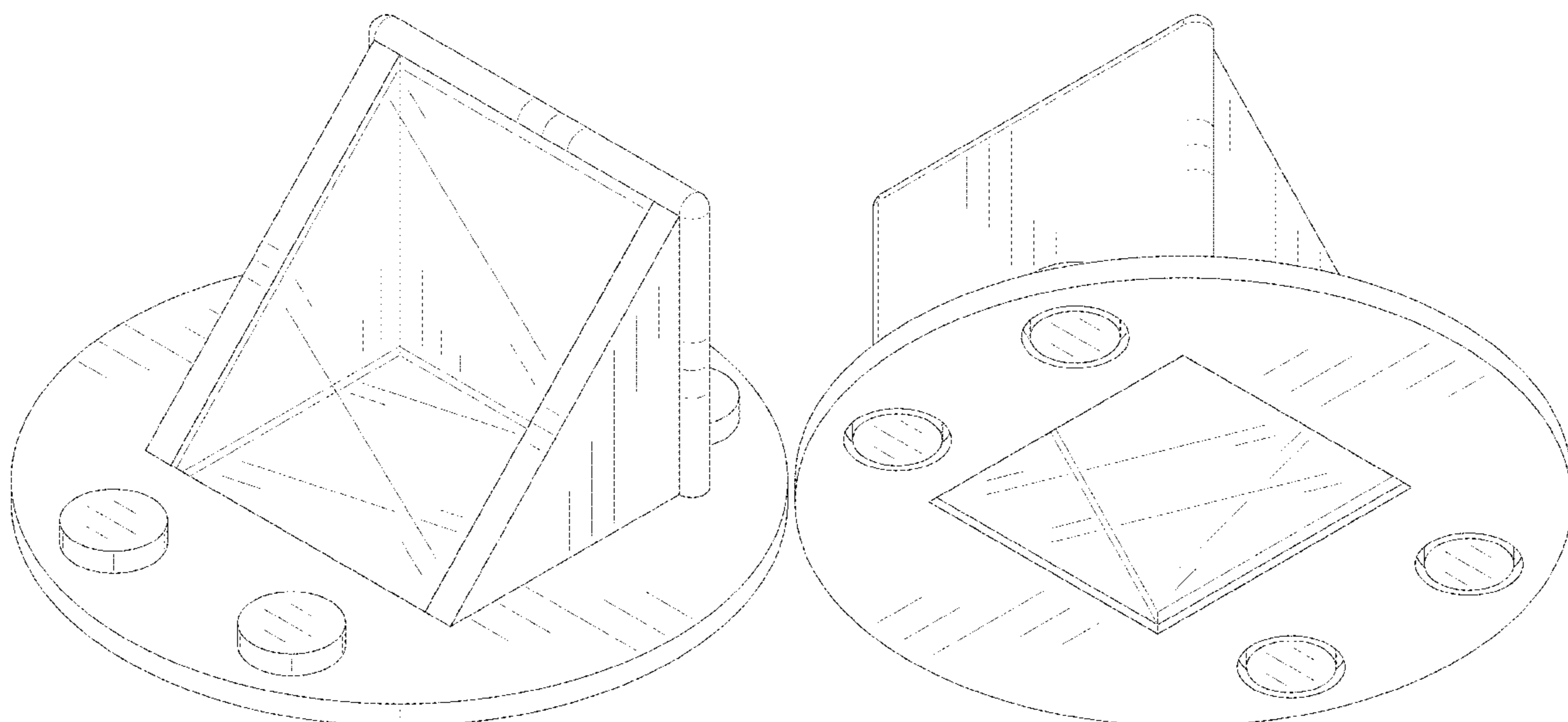
FIG. 8 is a bottom plan view thereof;

FIG. 9 is a perspective view thereof, shown in a used condition; and,

FIG. 10 is another perspective view thereof, shown in a used condition.

The broken lines shown in the drawings illustrate portions of the lens that form no part of the claimed design.

**1 Claim, 10 Drawing Sheets**



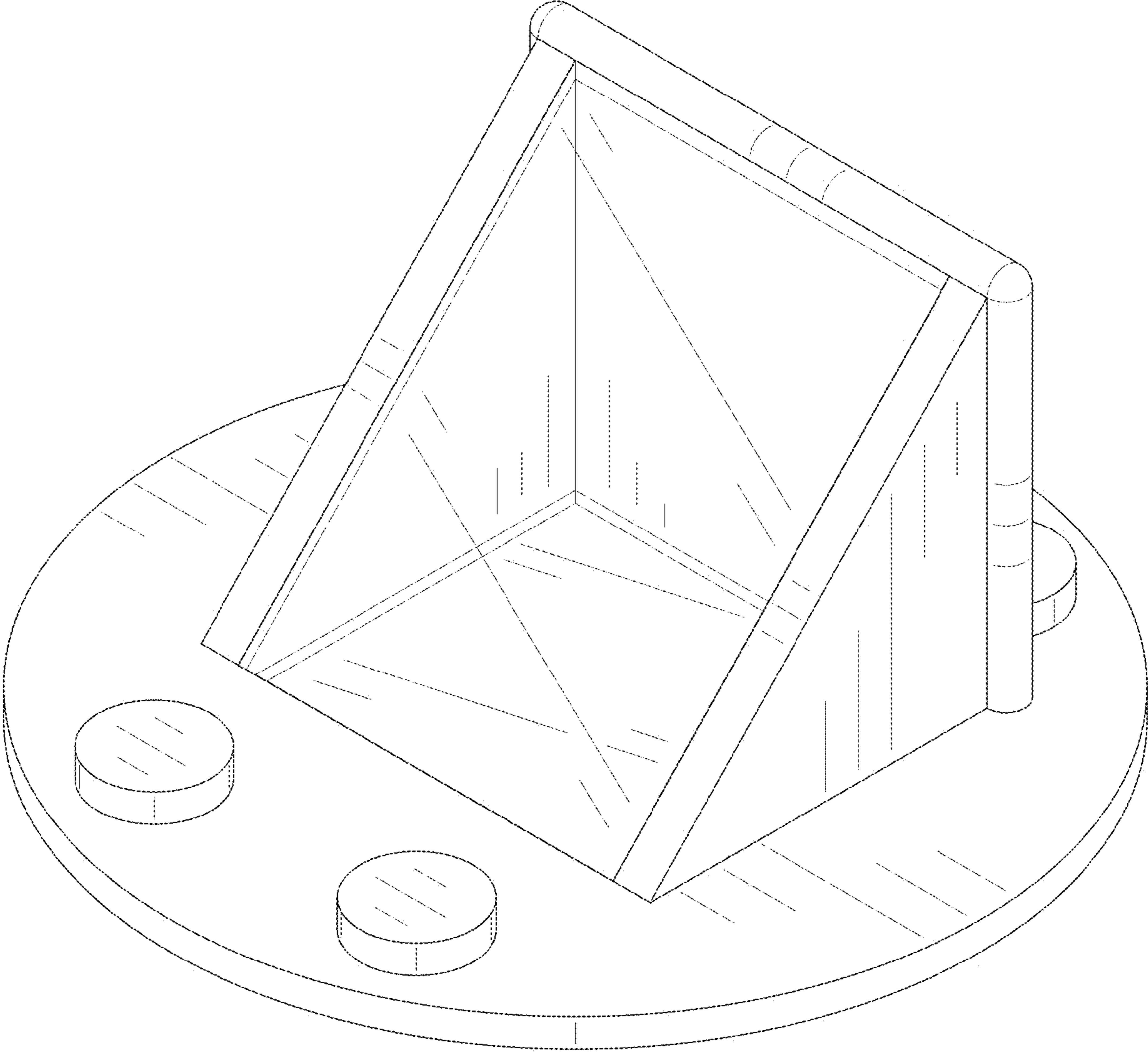


FIG. 1

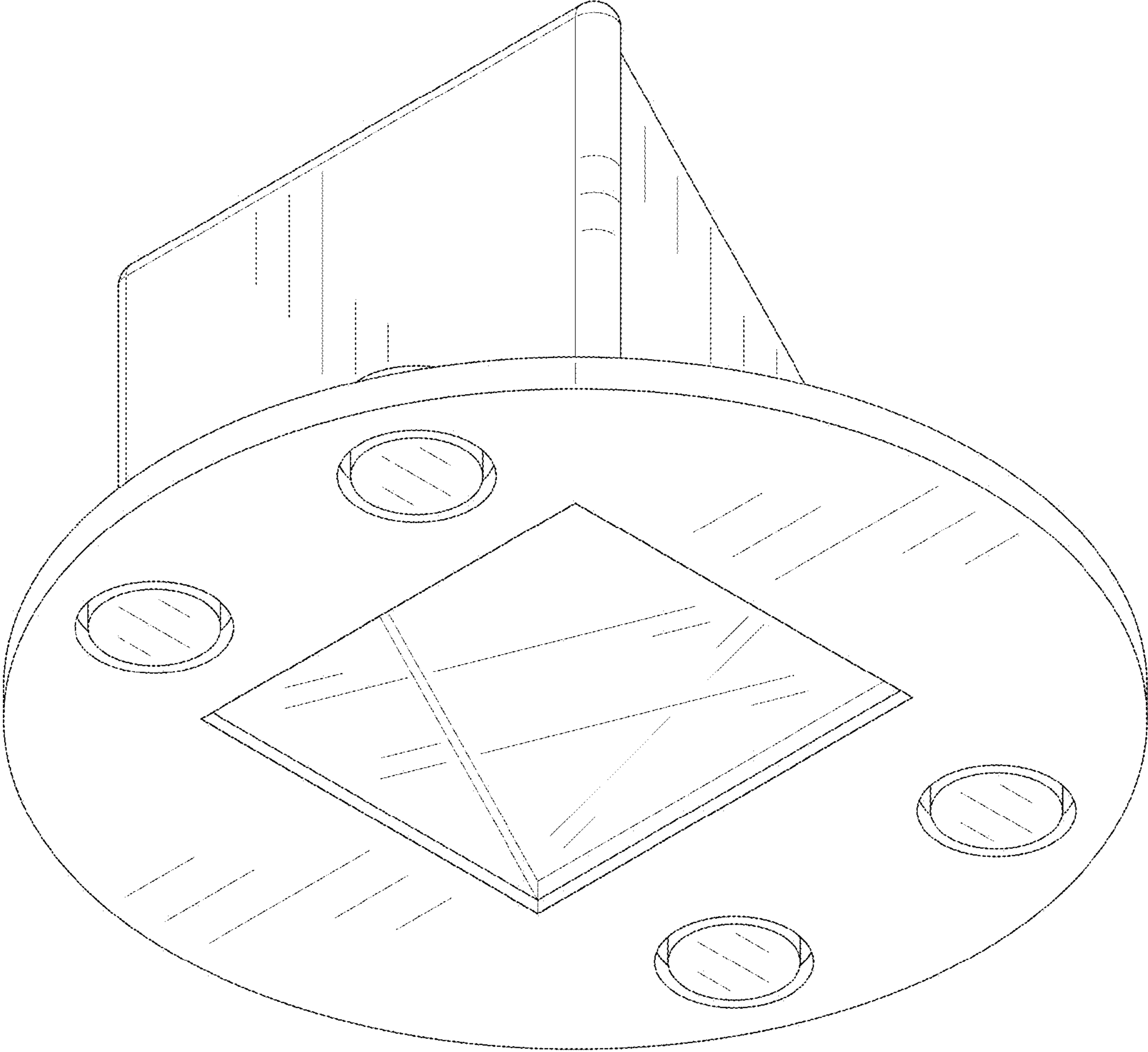


FIG. 2

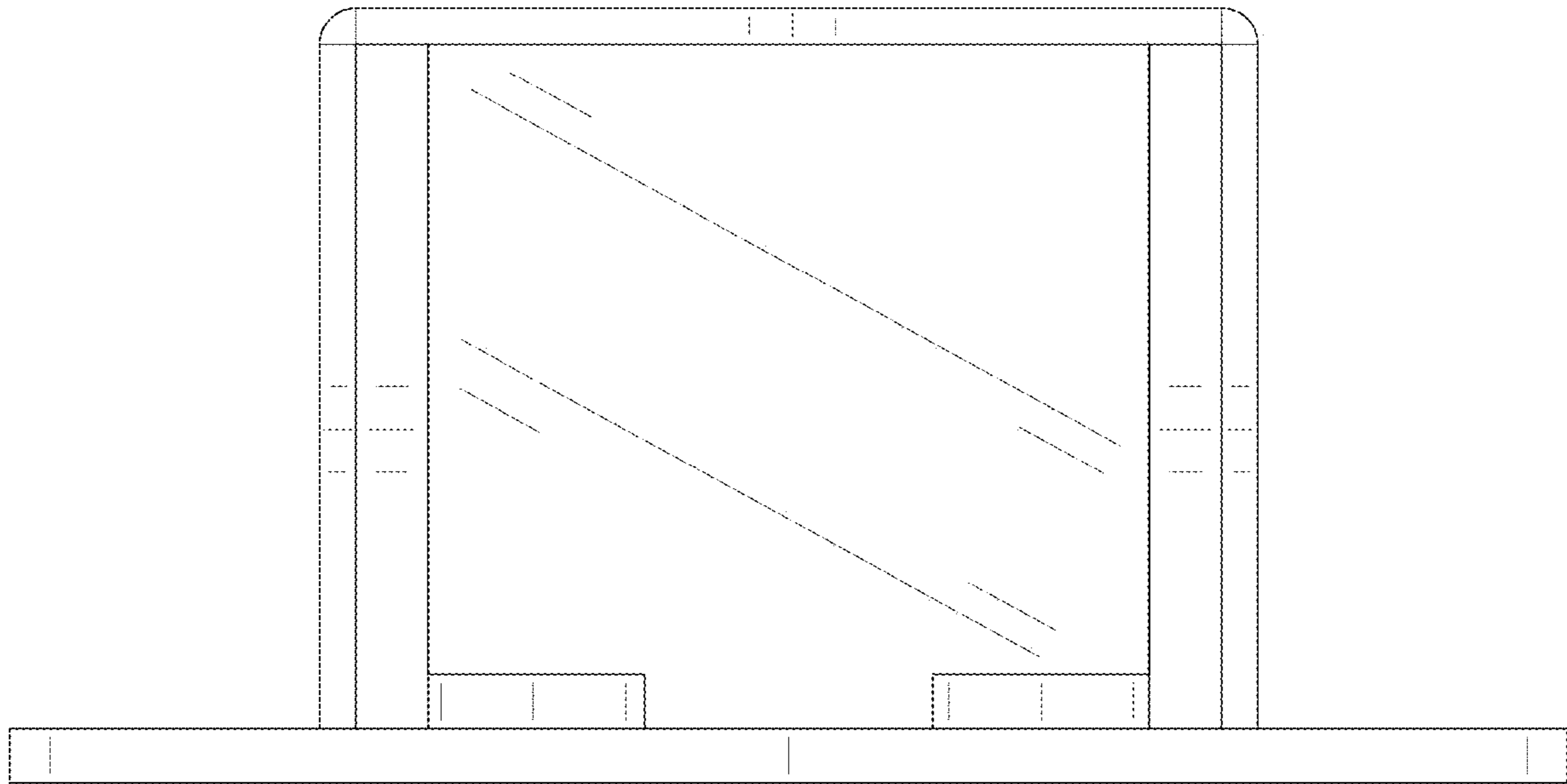


FIG. 3

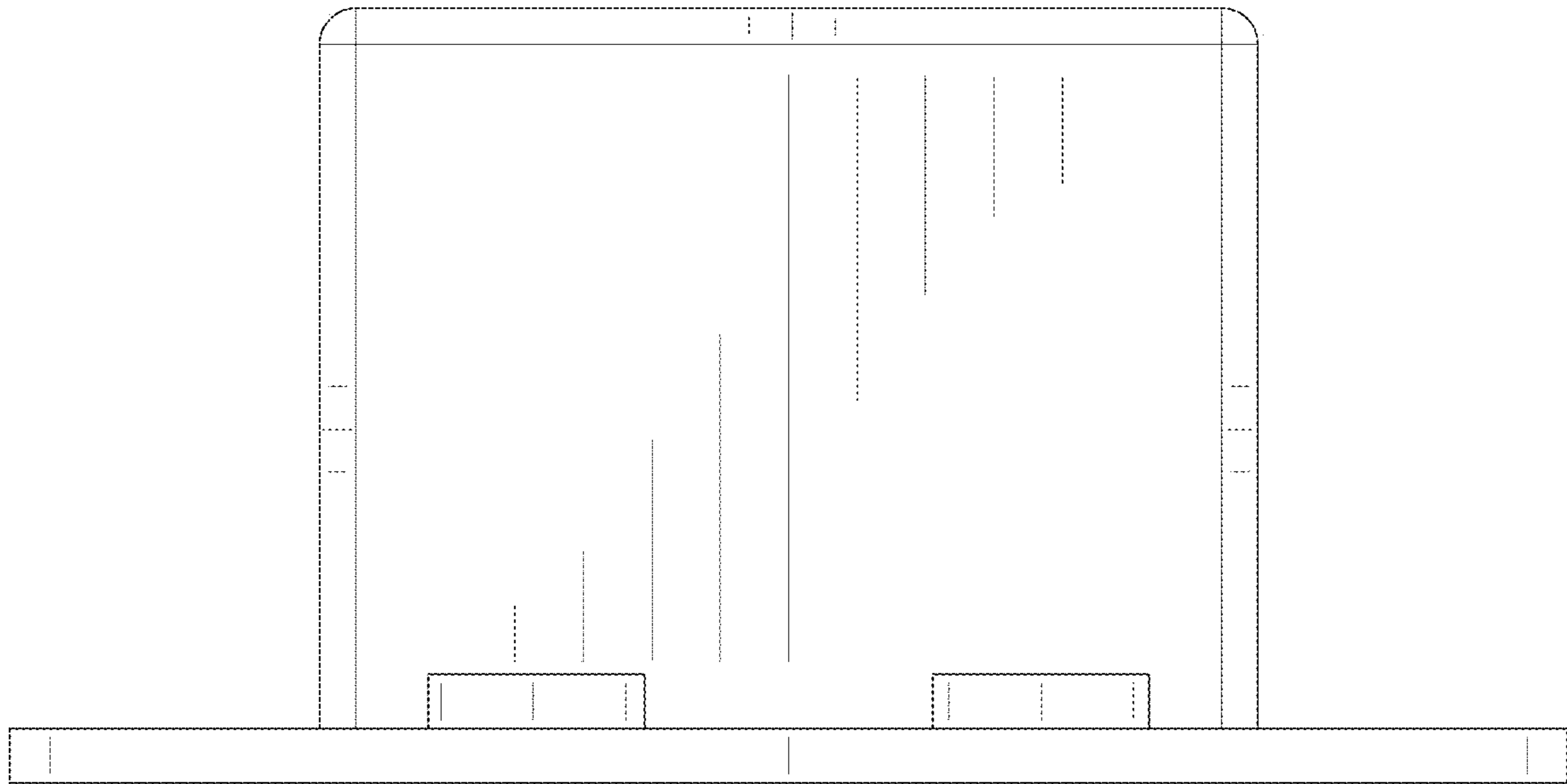


FIG. 4

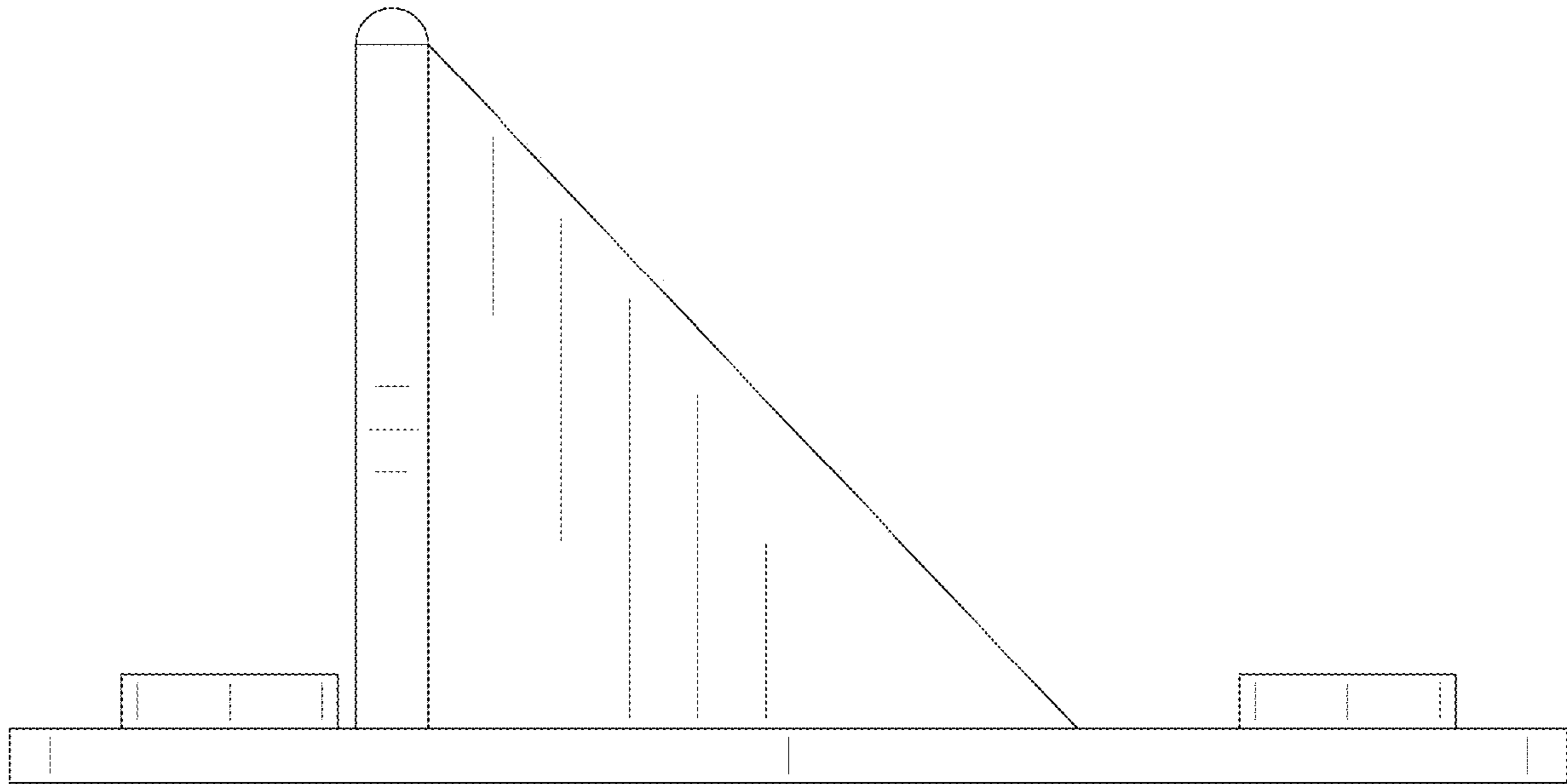


FIG. 5

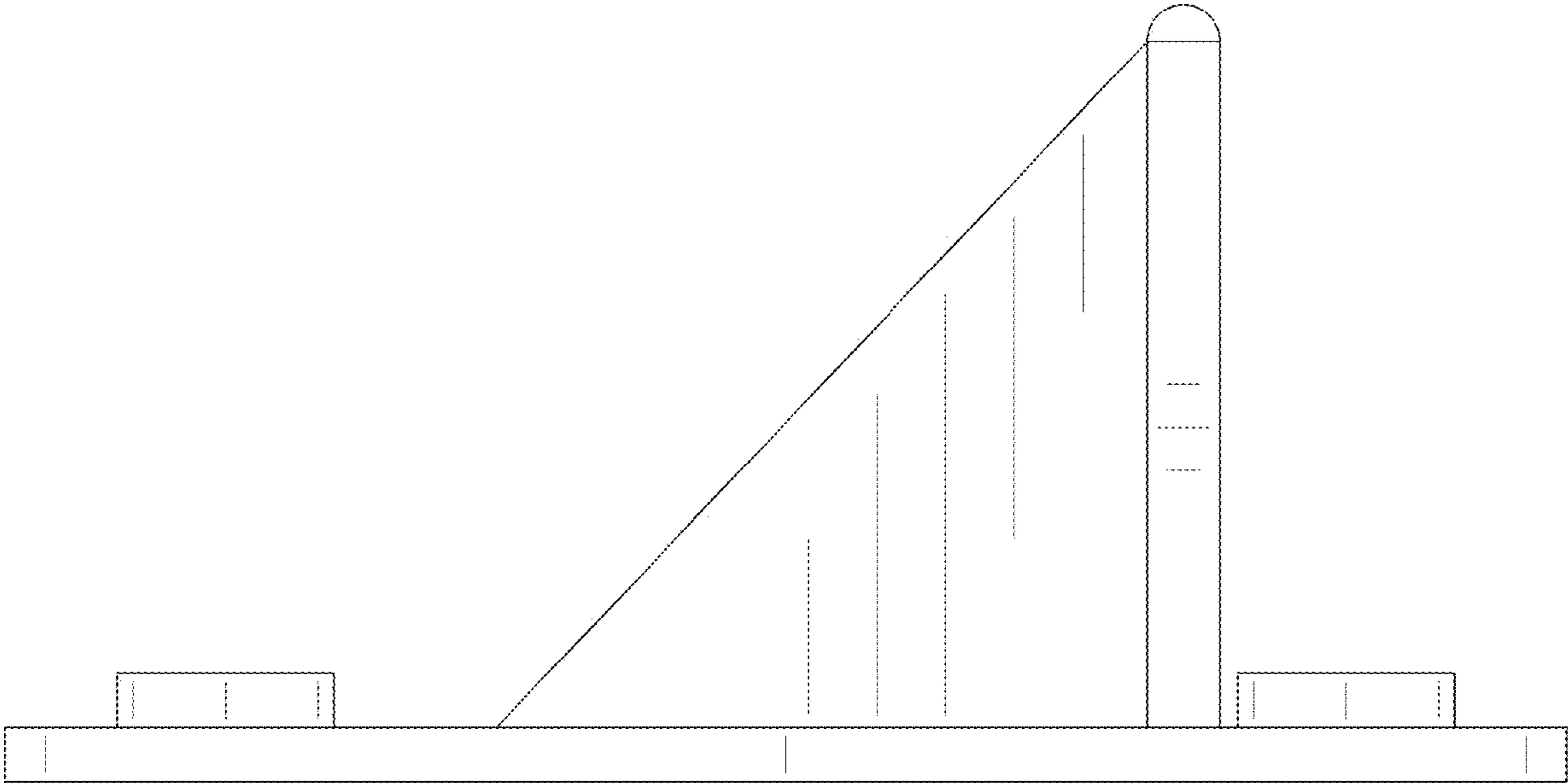


FIG. 6

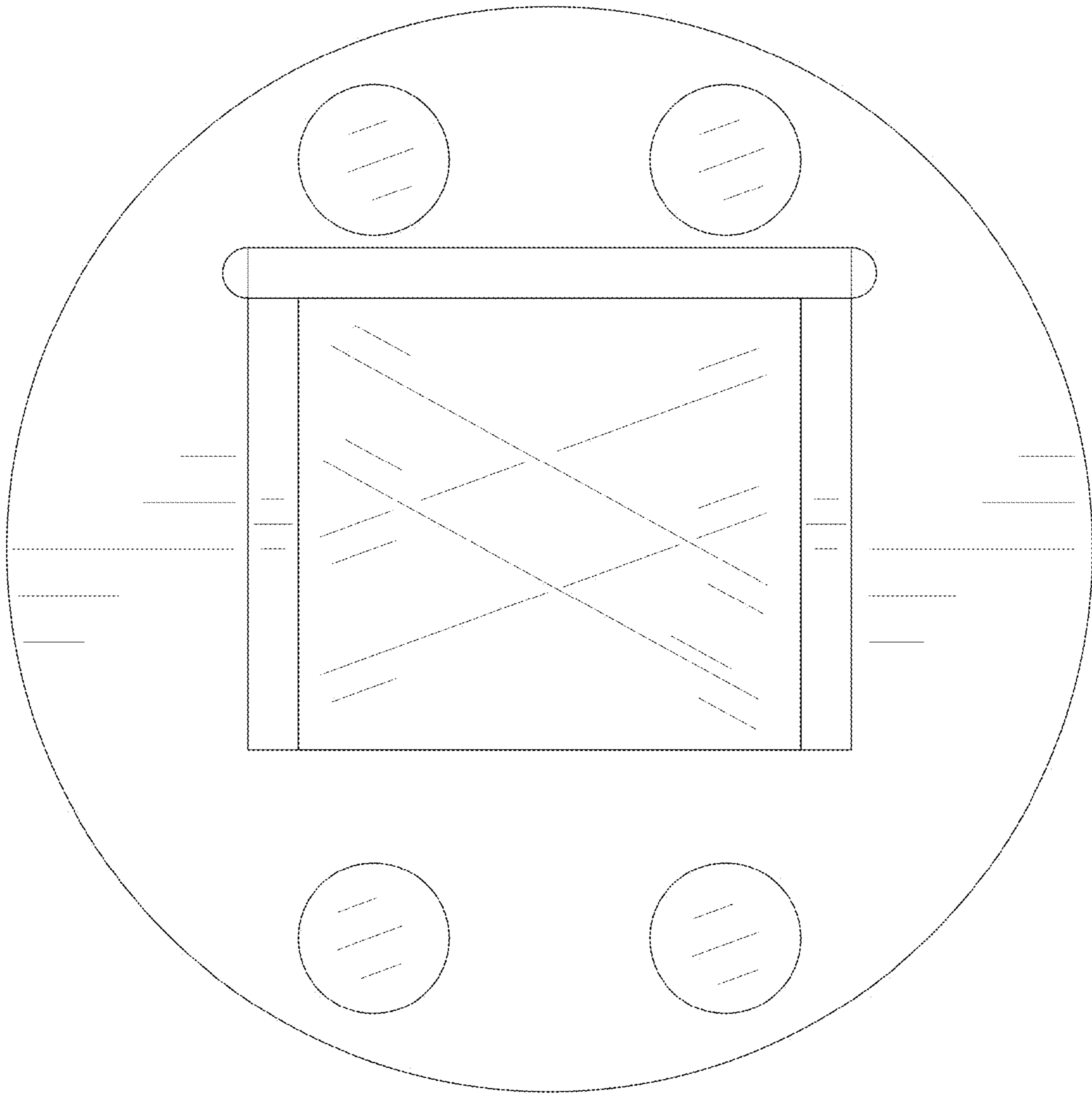


FIG. 7



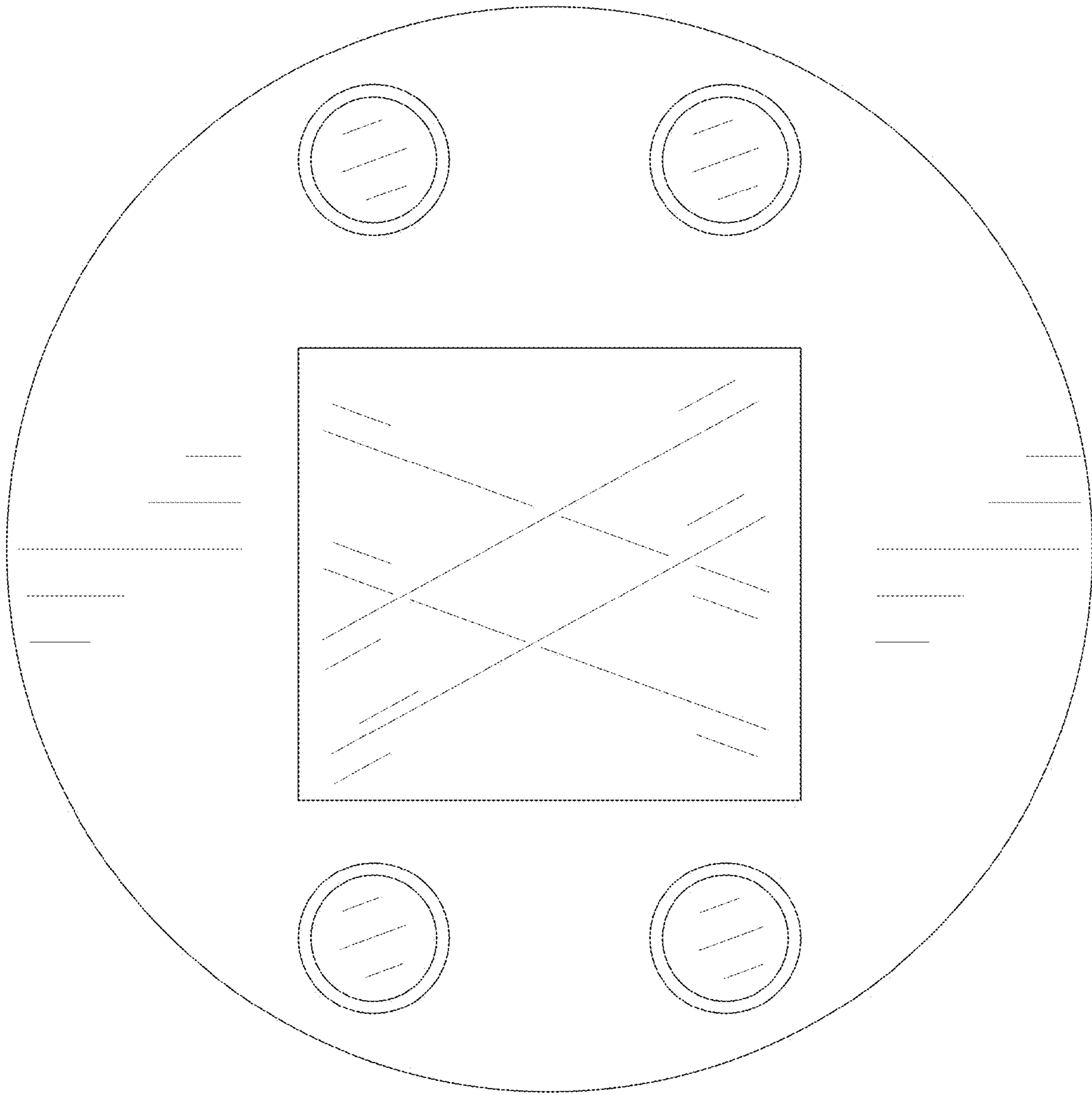


FIG. 8

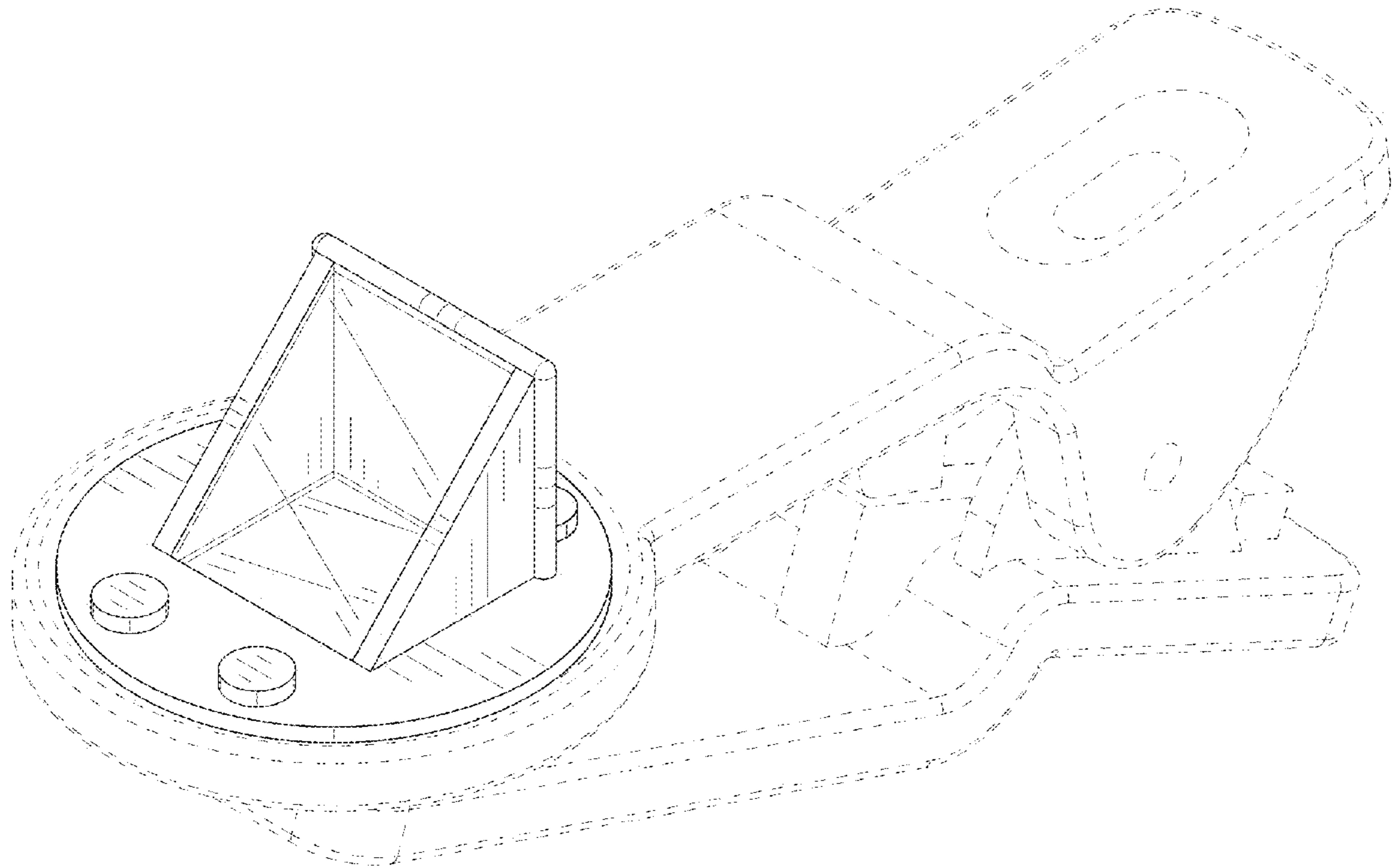


FIG. 9

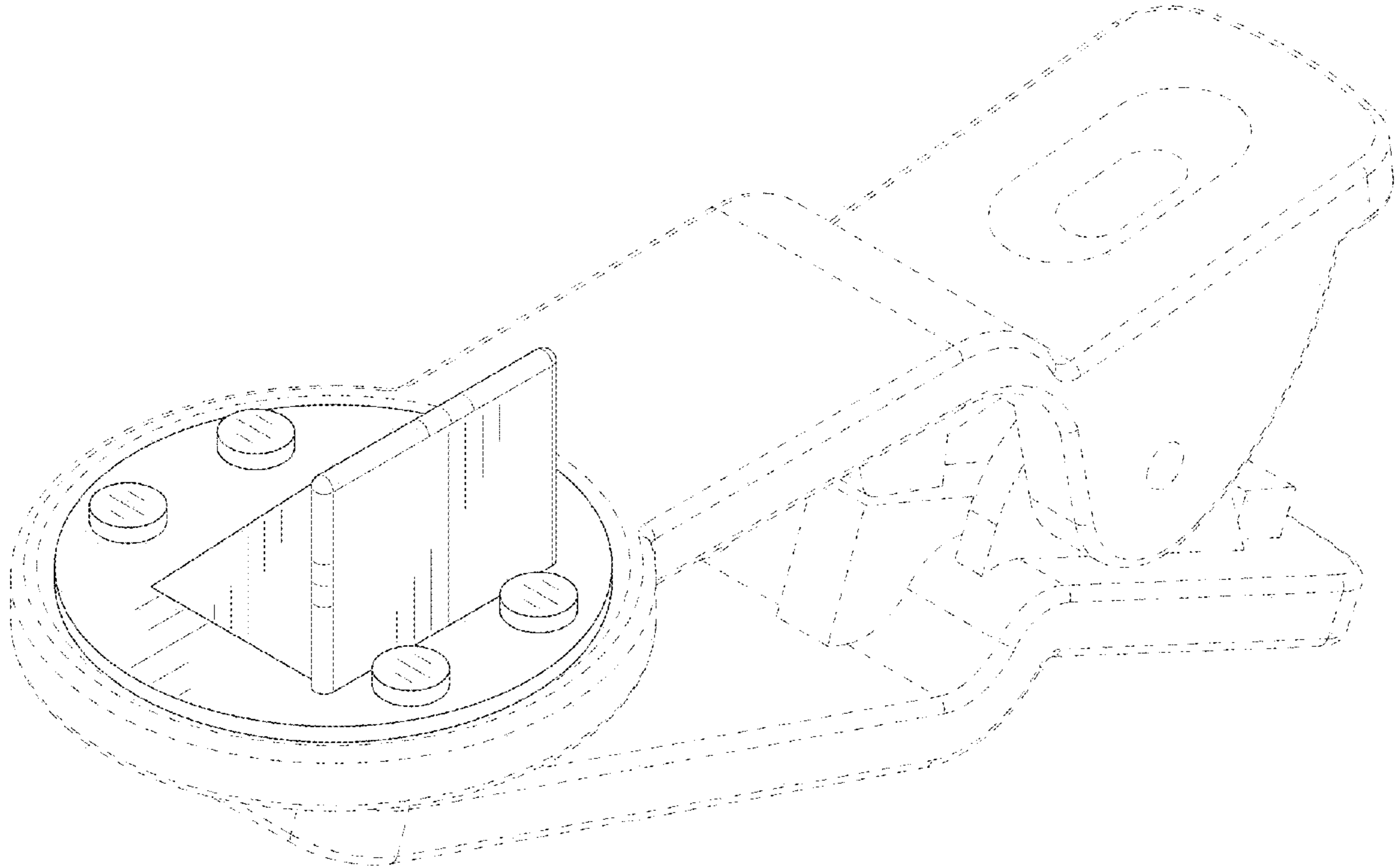


FIG. 10