



US00D982647S

(12) **United States Design Patent** (10) **Patent No.:** **US D982,647 S**
Kamei (45) **Date of Patent:** **** Apr. 4, 2023**

(54) **INSTANT CAMERA**

(71) Applicant: **FUJIFILM Corporation**, Tokyo (JP)

(72) Inventor: **Keita Kamei**, Tokyo (JP)

(73) Assignee: **FUJIFILM Corporation**, Tokyo (JP)

(**) Term: **15 Years**

(21) Appl. No.: **29/803,090**

(22) Filed: **Aug. 10, 2021**

(30) **Foreign Application Priority Data**

Mar. 5, 2021 (JP) 2021-004649 D

(51) **LOC (14) Cl.** **16-01**

(52) **U.S. Cl.**
USPC **D16/209**

(58) **Field of Classification Search**
USPC D16/200, 202, 203, 205, 207-209, 214,
D16/217, 218, 219; D14/125, 130, 140,
D14/496, 172; D10/106.6
CPC G03B 17/00; G03B 17/02; G03B 2217/00;
H04N 5/225; H04N 5/2251; H04N
5/2252

See application file for complete search history.

(56) **References Cited**

U.S. PATENT DOCUMENTS

D182,531 S * 4/1958 Muller D16/218
D185,548 S * 6/1959 Grosso D16/218
D185,995 S * 8/1959 Crapsey D16/218
D196,085 S * 8/1963 Zagara D16/218
3,205,800 A * 9/1965 Peterson G03B 17/02
396/505
3,524,393 A * 8/1970 Greger G03B 17/02
396/539
D234,820 S * 4/1975 Kato D16/218
D240,766 S * 7/1976 Franzmann D16/217
D244,686 S * 6/1977 Hansen D16/218
D270,840 S * 10/1983 Soda D16/209

D272,072 S * 1/1984 Ainslie D16/218
D386,775 S * 11/1997 Shiotani D16/217
D692,939 S * 11/2013 Huang D16/218
D707,746 S * 6/2014 Sakai D16/218
D755,874 S * 5/2016 Yang D16/202
D779,576 S * 2/2017 Ikegame D16/218
D834,084 S * 11/2018 Gredler D16/202
D924,297 S * 7/2021 Imai D16/202
D953,403 S * 5/2022 Kamei D16/200
D960,220 S * 8/2022 Saito D16/200
D967,224 S * 10/2022 Saito D16/200
2020/0112661 A1 * 4/2020 Kamei G06F 40/109
2020/0183257 A1 * 6/2020 Kamei G10L 15/22

OTHER PUBLICATIONS

“Instax mini 40,” announced via press release on Apr. 7, 2021, retrieved Oct. 13, 2022 from <https://www.fujifilm.com/jp/en/news/hq/6417> (Year: 2021).*

* cited by examiner

Primary Examiner — Maria J. Edwards

Assistant Examiner — Dina Michelle Hoeynck

(74) *Attorney, Agent, or Firm* — Studebaker & Brackett PC

(57) **CLAIM**

The ornamental design for an instant camera, as shown and described.

DESCRIPTION

FIG. 1 is a front perspective view of instant camera, showing the new design;

FIG. 2 is a rear perspective view thereof;

FIG. 3 is a front view thereof;

FIG. 4 is a rear view thereof;

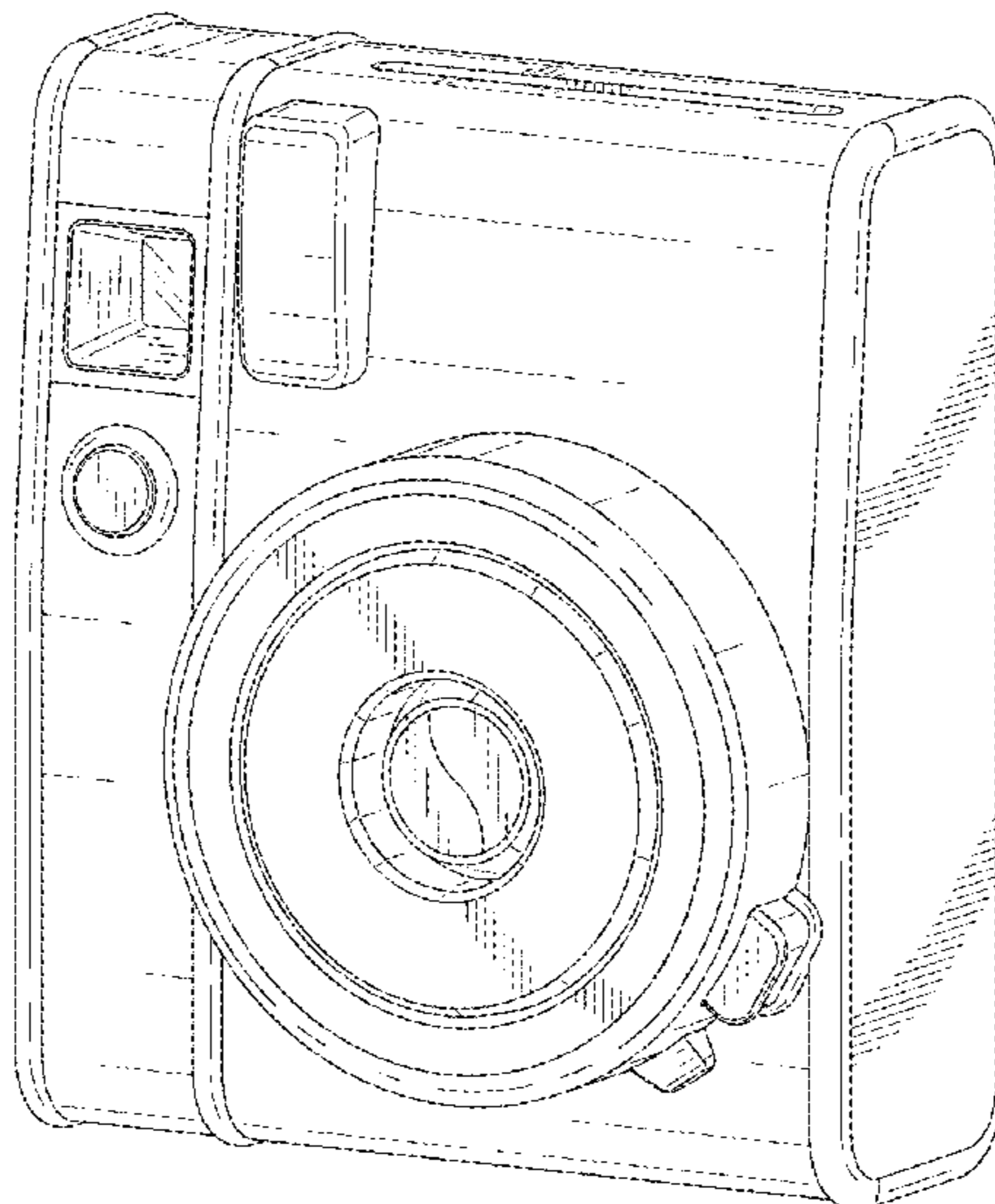
FIG. 5 is a right side view thereof;

FIG. 6 is a left side view thereof;

FIG. 7 is a top view thereof; and,

FIG. 8 is a bottom view thereof.

1 Claim, 8 Drawing Sheets



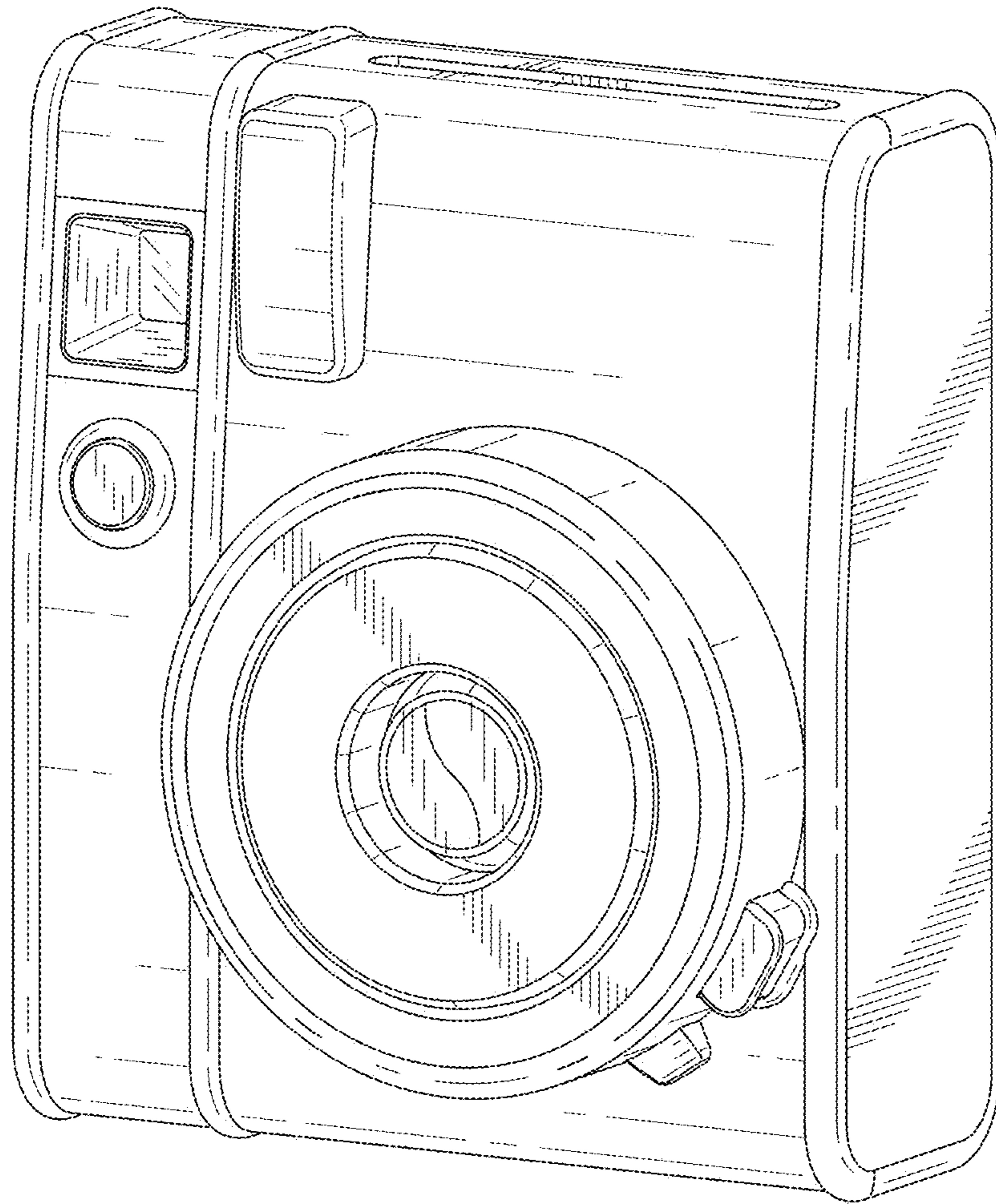


FIG. 1

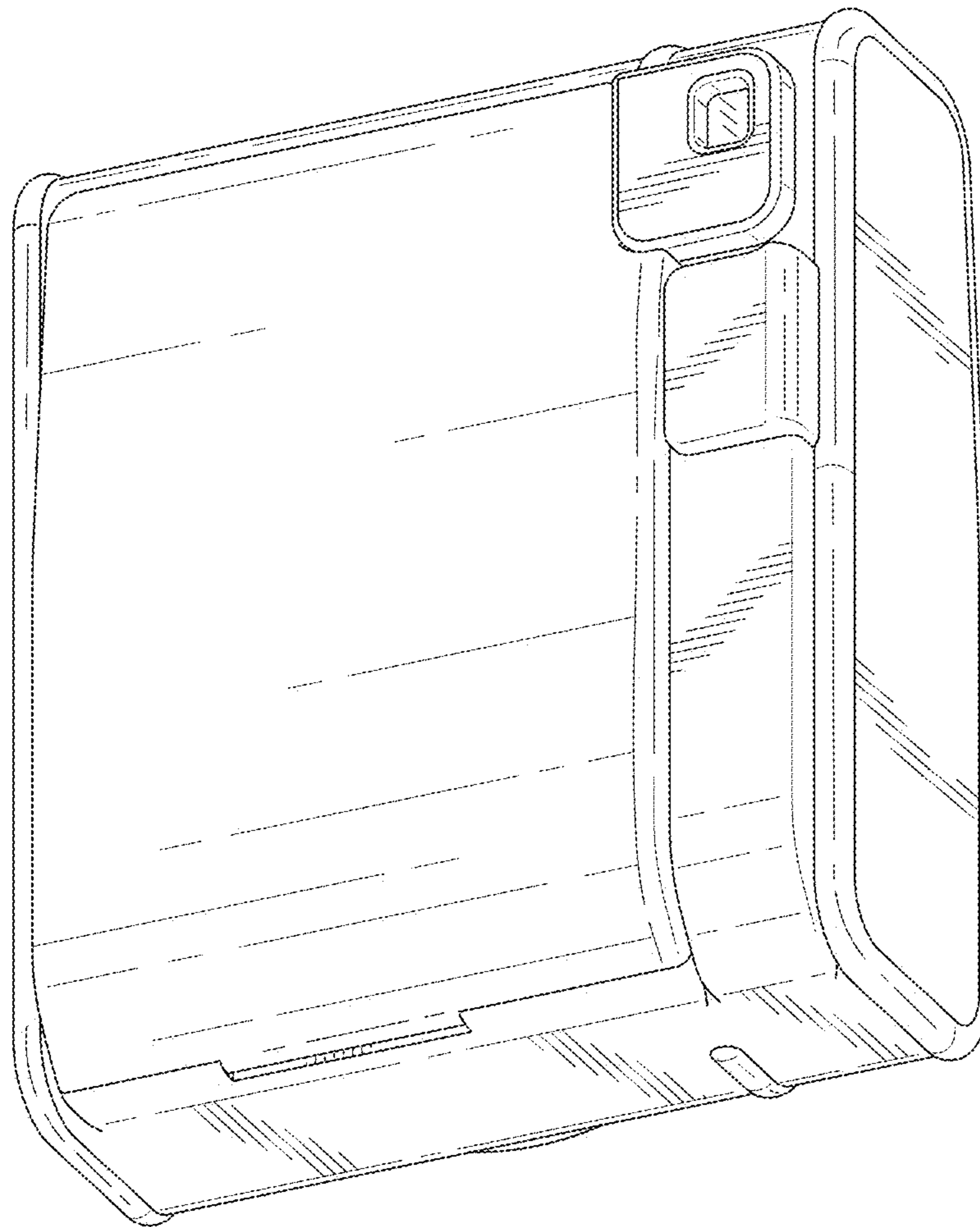


FIG. 2

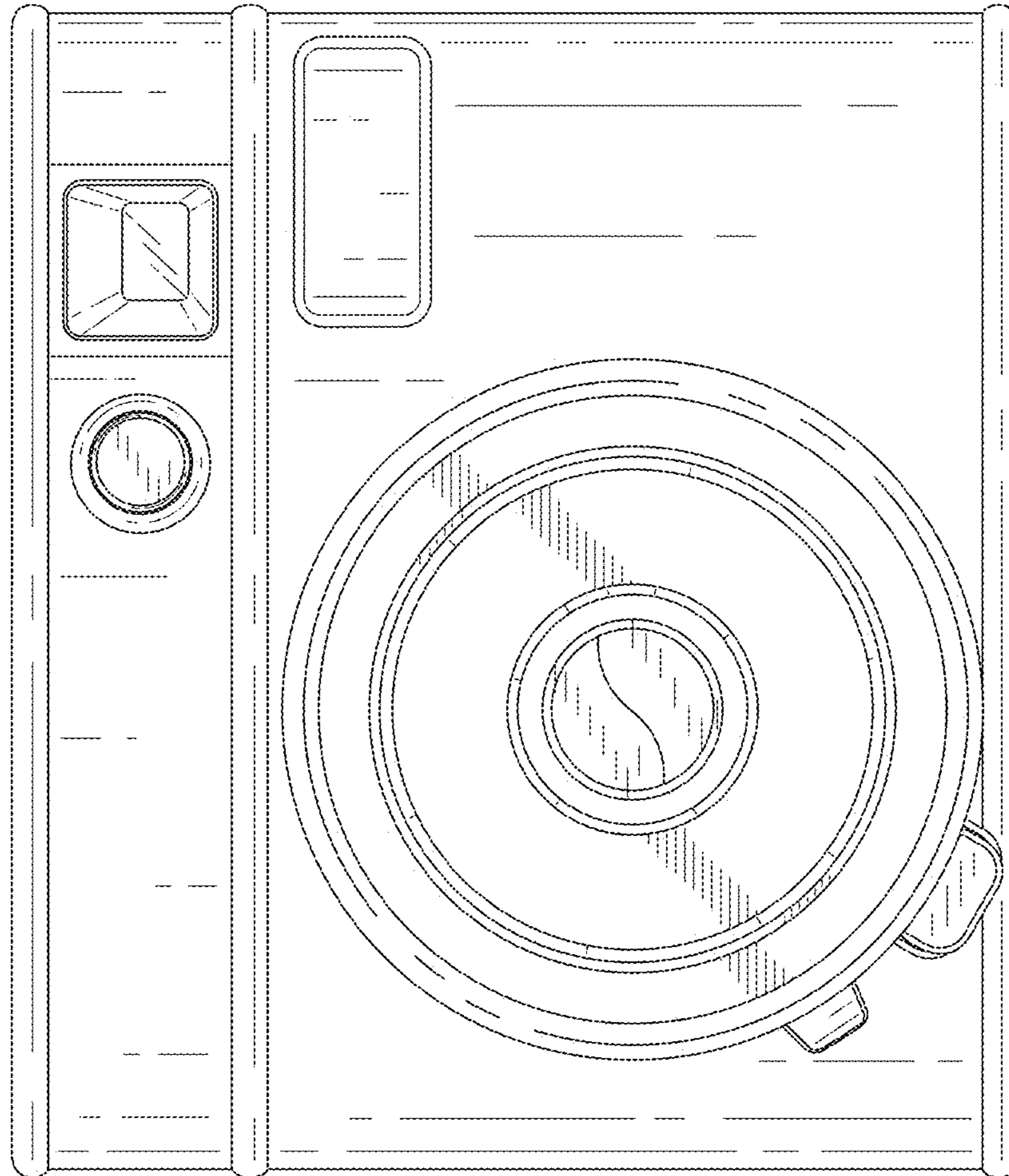


FIG. 3

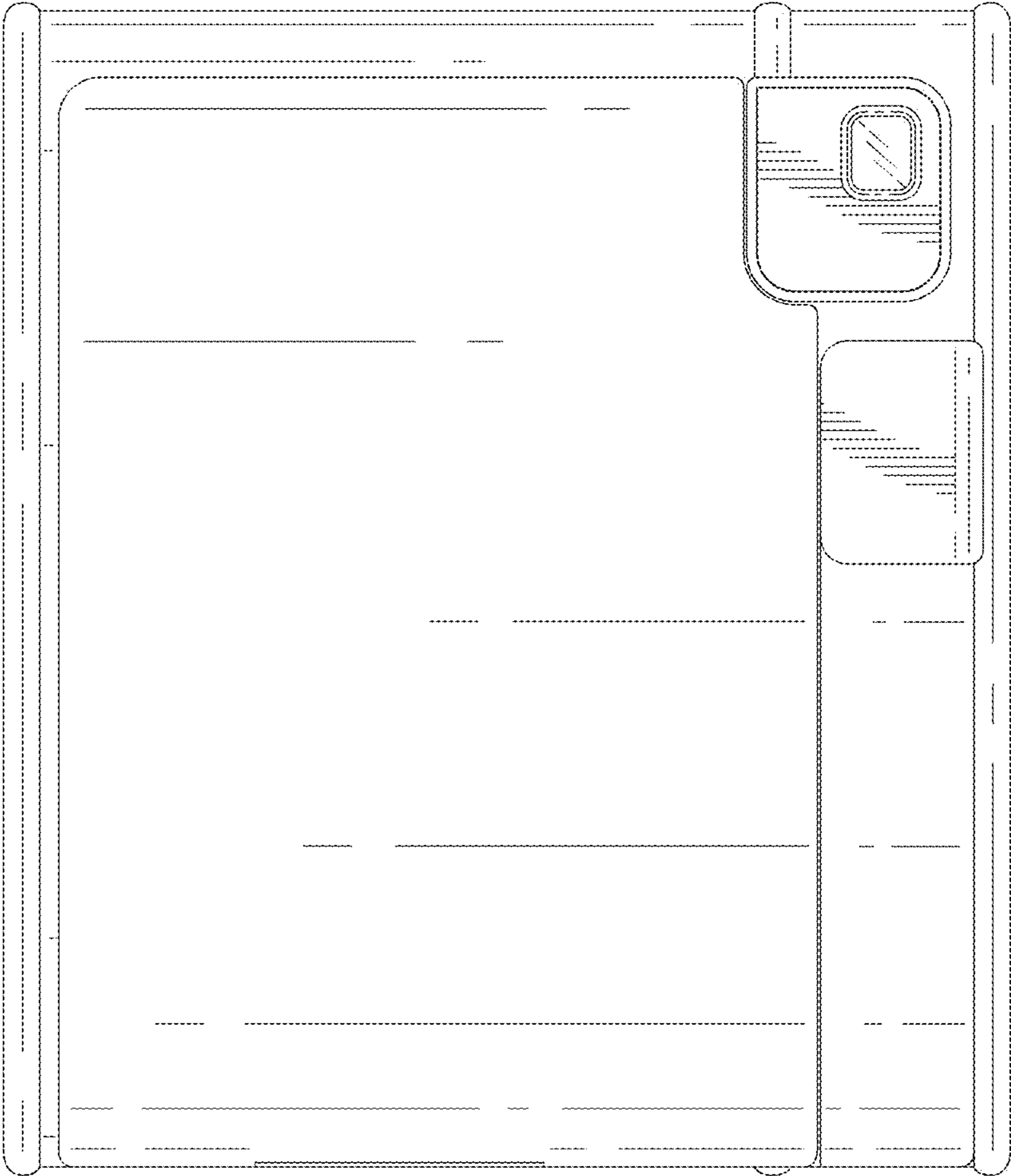


FIG. 4

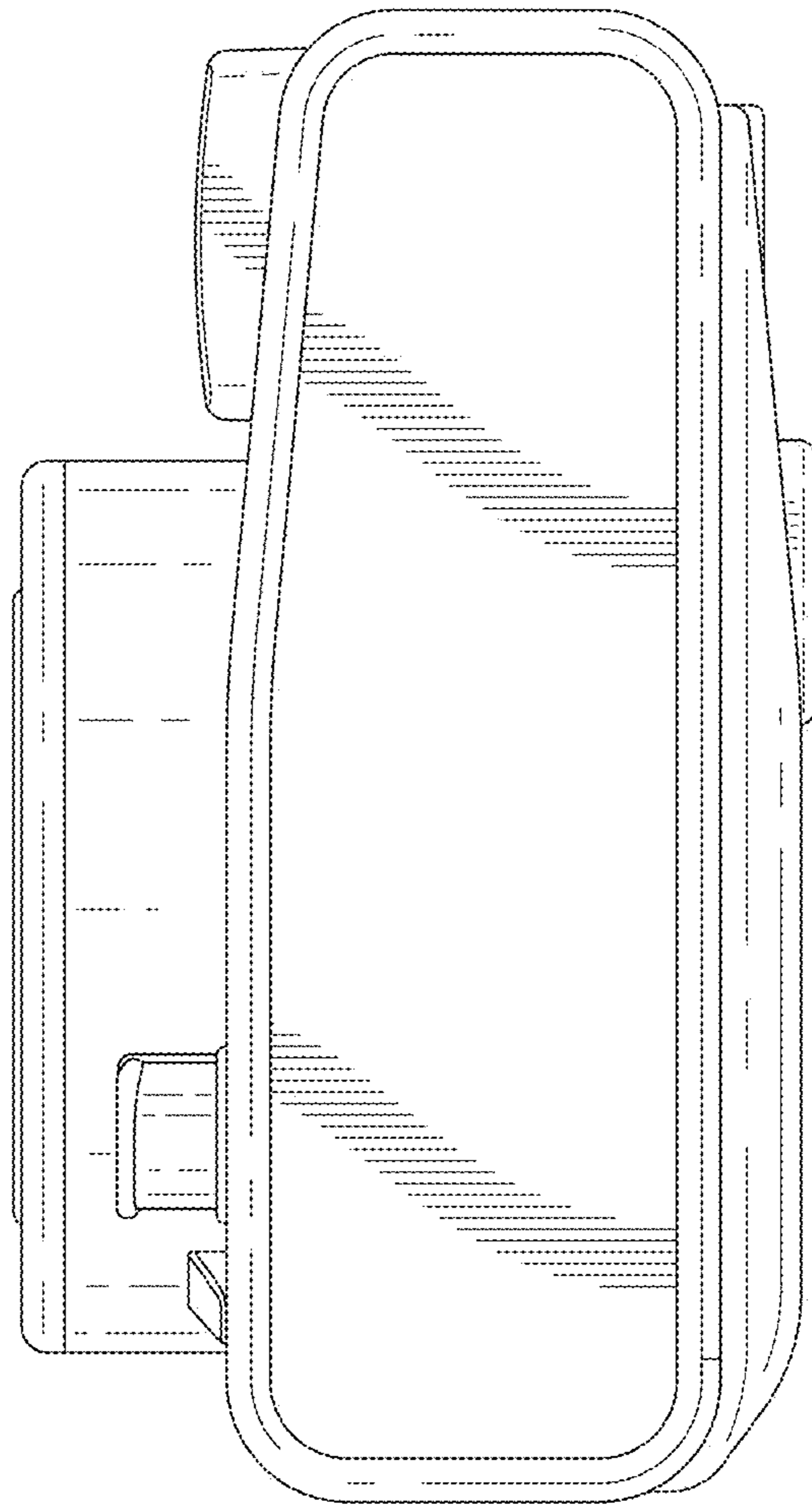


FIG. 5

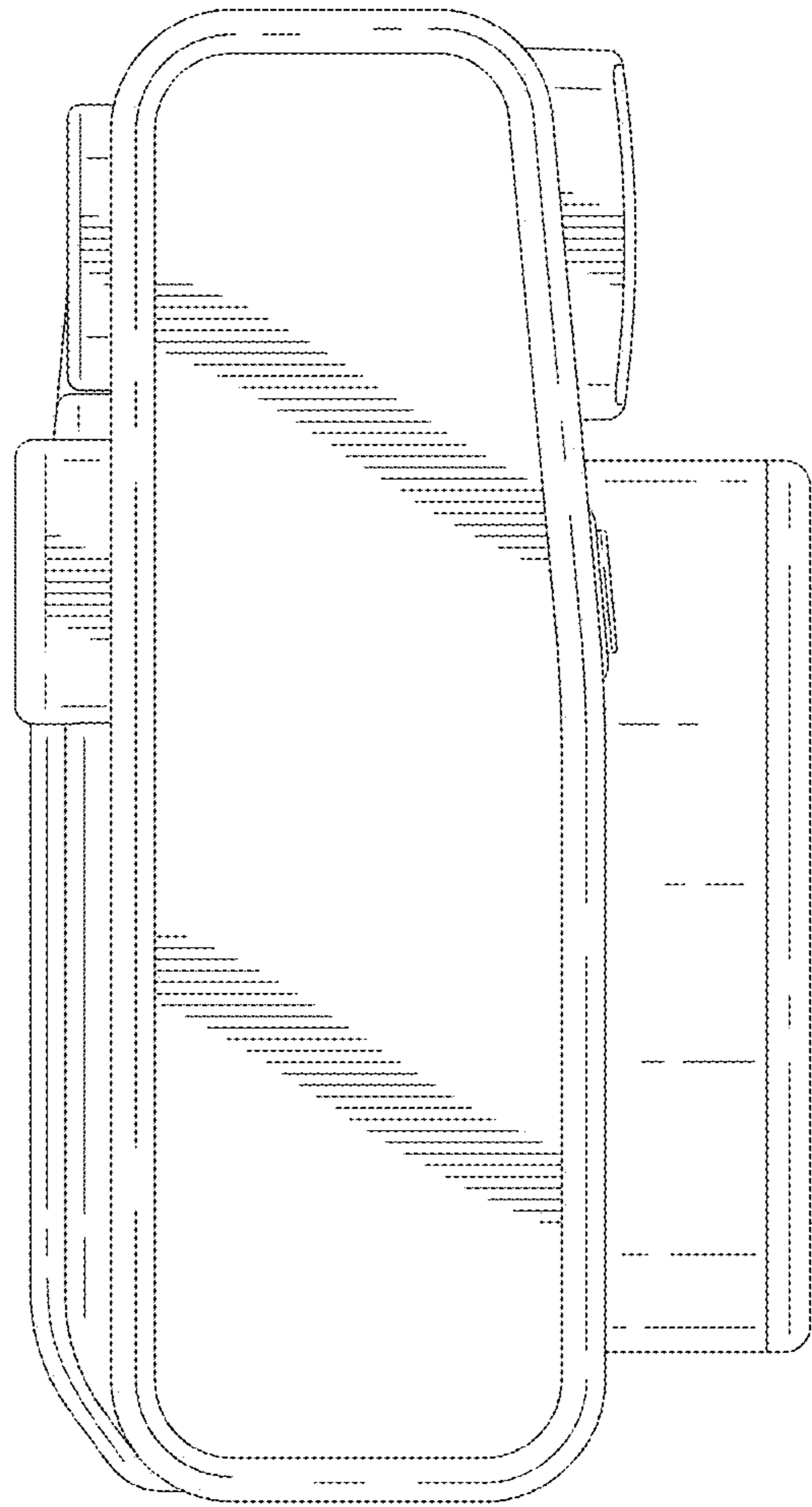


FIG. 6

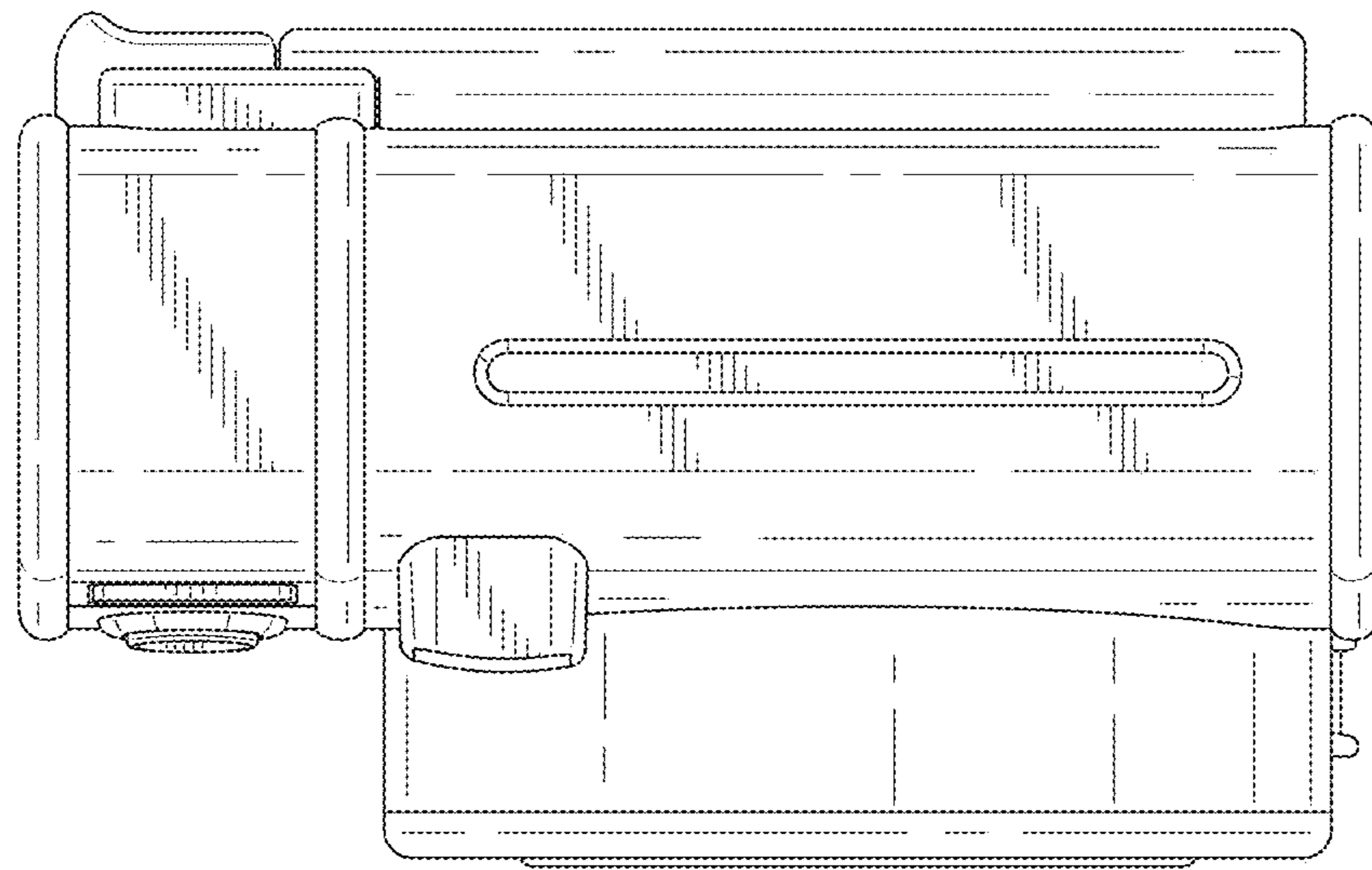


FIG. 7

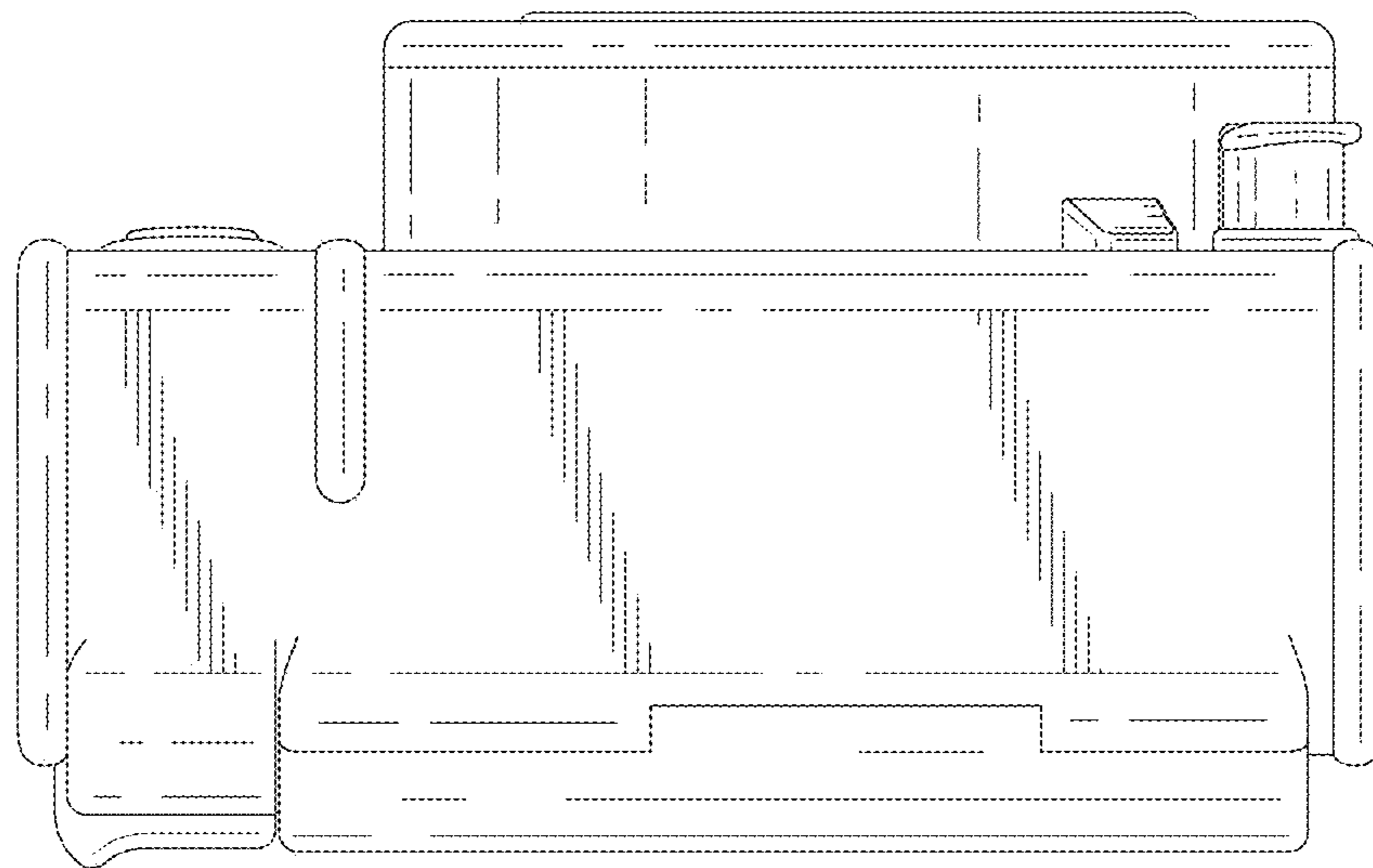


FIG. 8