



US00D982645S

(12) **United States Design Patent**  
**Li**

(10) **Patent No.:** **US D982,645 S**

(45) **Date of Patent:** **\*\* Apr. 4, 2023**

(54) **DUAL CAMERA**

(71) Applicant: **AVerMedia TECHNOLOGIES, INC.**,  
New Taipei (TW)

(72) Inventor: **Tung-Han Li**, New Taipei (TW)

(73) Assignee: **AVerMedia TECHNOLOGIES, INC.**,  
New Taipei (TW)

(\*\*) Term: **15 Years**

(21) Appl. No.: **29/788,836**

(22) Filed: **Aug. 3, 2021**

(30) **Foreign Application Priority Data**

Feb. 9, 2021 (TW) ..... 110300811

(51) **LOC (14) Cl.** ..... **16-01**

(52) **U.S. Cl.**  
USPC ..... **D16/202; D16/207**

(58) **Field of Classification Search**  
USPC ..... D16/200, 202, 203, 205, 207-209, 214,  
D16/217, 218, 219; D14/125, 130, 140,  
D14/496, 172; D10/106.6  
CPC .... G03B 17/00; G03B 17/02; G03B 2217/00;  
H04N 5/225; H04N 5/2251; H04N  
5/2252

See application file for complete search history.

(56) **References Cited**

**U.S. PATENT DOCUMENTS**

D554,683 S \* 11/2007 Jones ..... D16/208  
D581,441 S \* 11/2008 Kim ..... D16/218  
D709,117 S \* 7/2014 Gan ..... D16/202  
D776,740 S \* 1/2017 Okawa ..... D16/203  
D800,201 S \* 10/2017 Song ..... D16/202  
D811,465 S \* 2/2018 Nokuo ..... D16/218  
D842,358 S \* 3/2019 Puric ..... D16/203  
D848,502 S \* 5/2019 Puric ..... D16/203  
D849,086 S \* 5/2019 Russo ..... D16/202  
D865,025 S \* 10/2019 Siminoff ..... D16/203

D865,026 S \* 10/2019 Siminoff ..... D16/203  
D867,419 S \* 11/2019 Liu ..... D16/202  
D867,422 S \* 11/2019 Song ..... D16/202  
D894,250 S \* 8/2020 Hur ..... D16/202  
D896,295 S \* 9/2020 Lee ..... D16/202  
D943,655 S \* 2/2022 Ogishita ..... D16/202

(Continued)

**FOREIGN PATENT DOCUMENTS**

CN 306894167 \* 10/2021

**OTHER PUBLICATIONS**

“AVerMedia PW313D,” first available Oct. 26, 2021, retrieved Oct. 27, 2022 from <https://www.amazon.com/AVerMedia-PW313D-Autofocus-1080p30fps-Conferencing/dp/B09J7Q2H5H> (Year: 2021).\*

(Continued)

*Primary Examiner* — Maria J. Edwards

*Assistant Examiner* — Dina Michelle Hoeynck

(74) *Attorney, Agent, or Firm* — CKC & Partners Co., LLC

(57) **CLAIM**

The ornamental design for a dual camera, as shown and described.

**DESCRIPTION**

FIG. 1 is a perspective view of a dual camera showing my new design;

FIG. 2 is a front elevational view thereof;

FIG. 3 is a rear elevational view thereof;

FIG. 4 is a left side elevational view thereof;

FIG. 5 is a right side elevational view thereof;

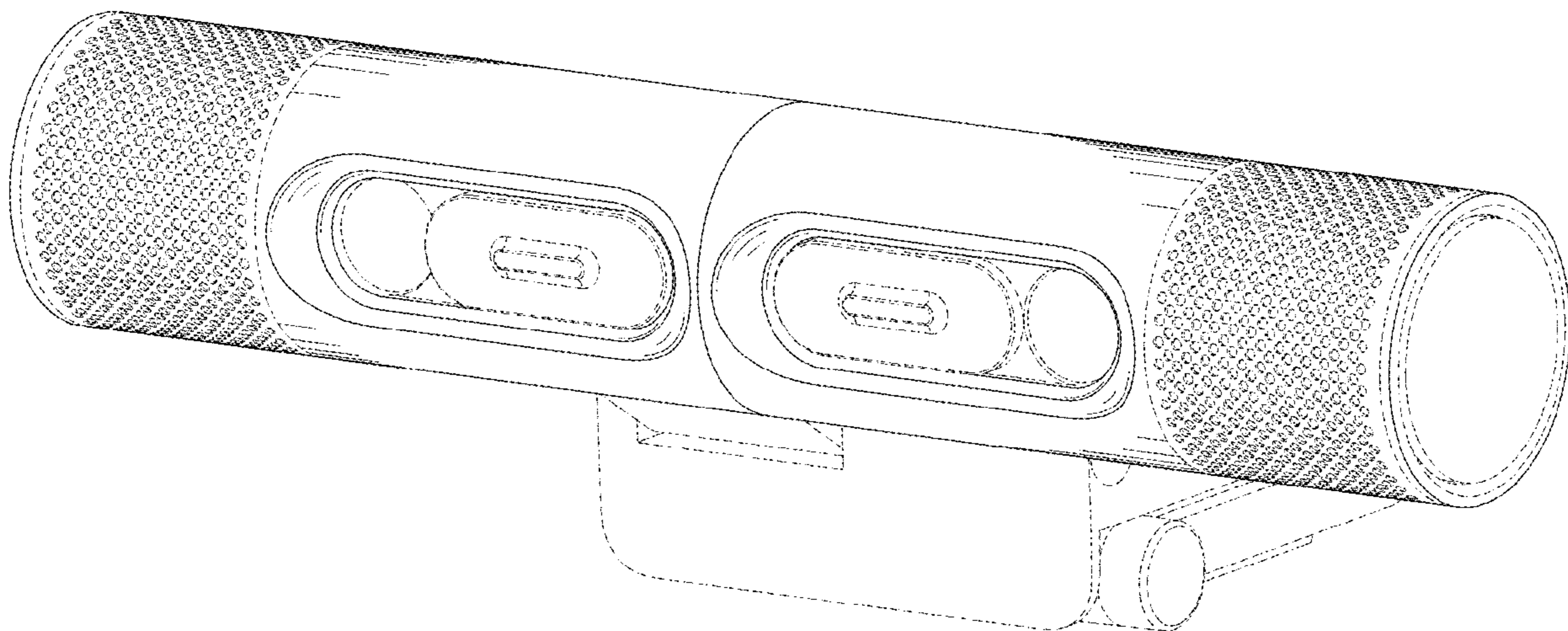
FIG. 6 is a top plan view thereof;

FIG. 7 is a bottom plan view thereof; and,

FIG. 8 is another perspective view thereof.

The broken lines in the drawings illustrate portions of the dual camera which form no part of the claimed design.

**1 Claim, 8 Drawing Sheets**



(56)

**References Cited**

U.S. PATENT DOCUMENTS

2015/0035963 A1\* 2/2015 Kirschner ..... H04N 17/002  
348/78  
2016/0195799 A1\* 7/2016 Koyama ..... H04N 5/247  
396/428

OTHER PUBLICATIONS

“Avermedia CAM 313,” first available Jul. 19, 2019, retrieved Oct. 27, 2022 from <https://www.amazon.com/AVerMedia-Live-Streamer-CAM-313/dp/B07TS9C499> (Year: 2019).\*

\* cited by examiner

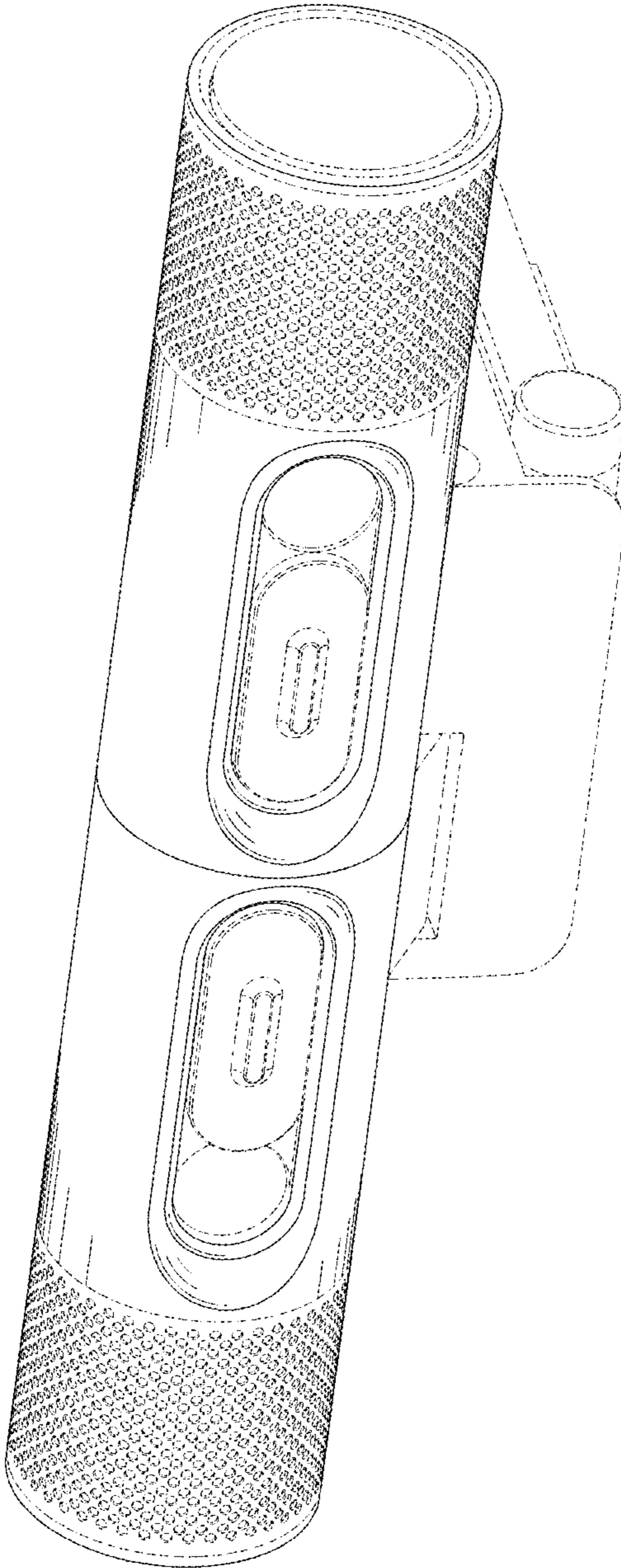


Fig. 1

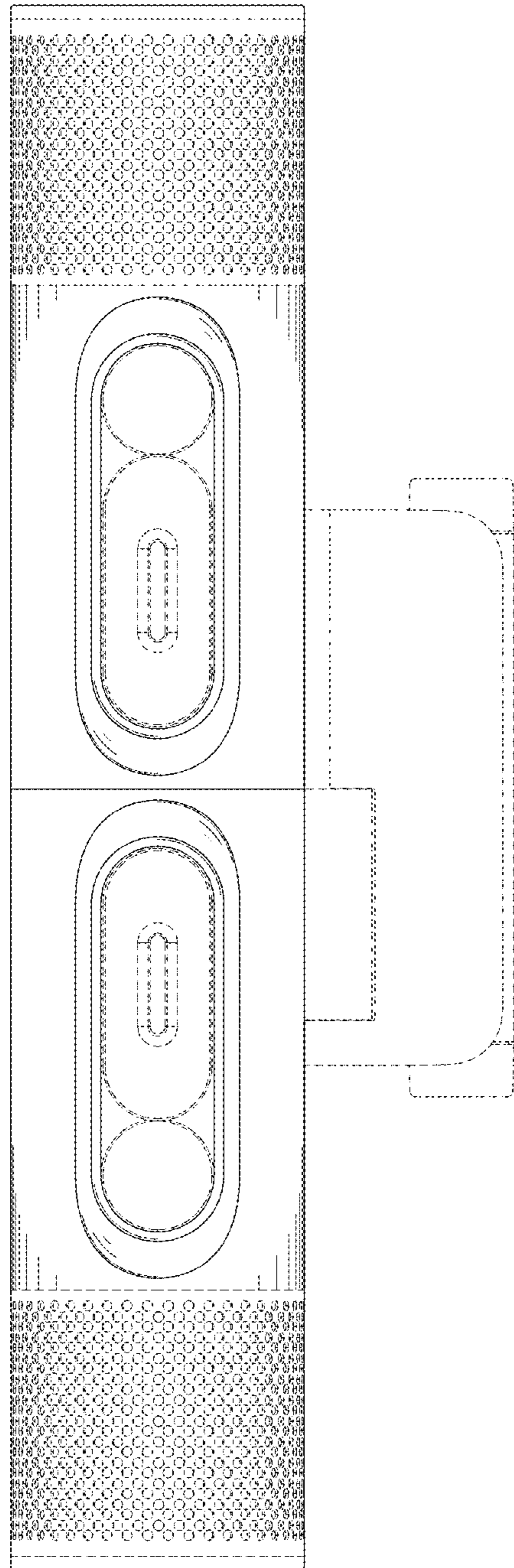


Fig. 2

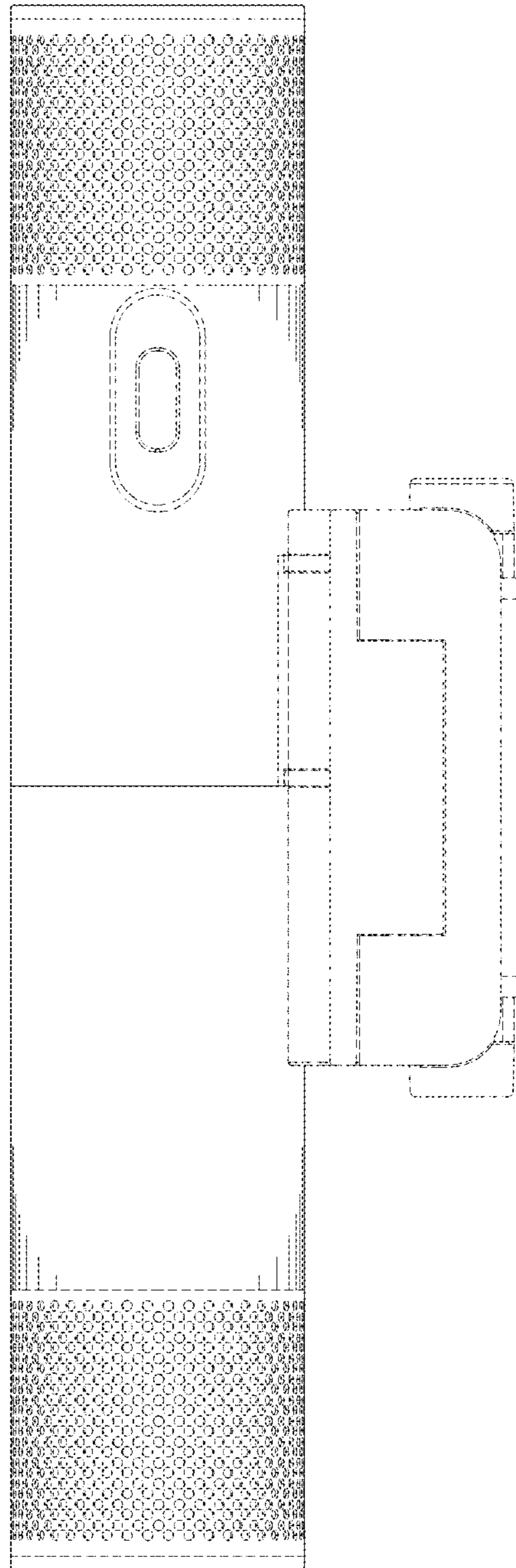


Fig. 3

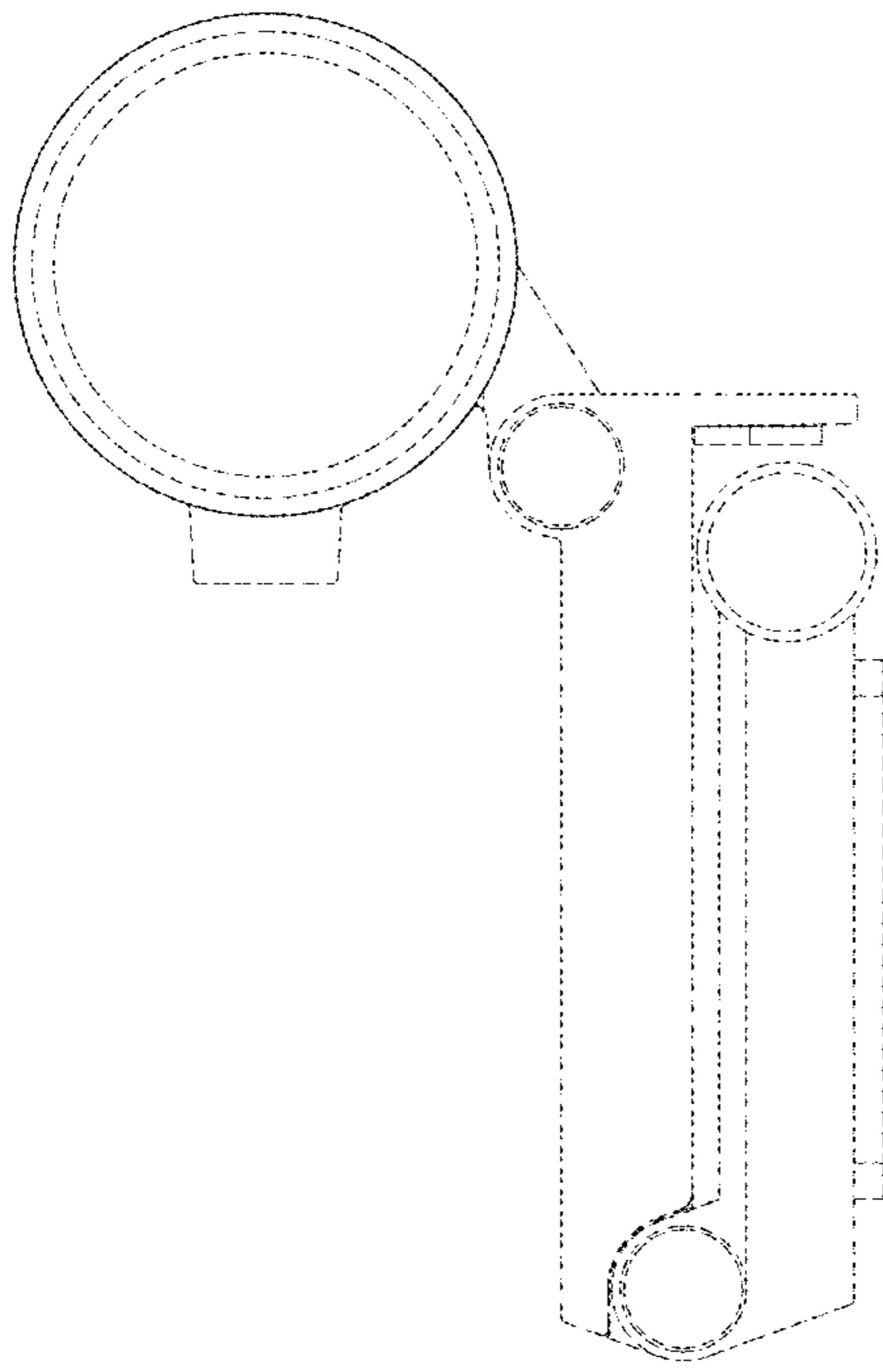


Fig. 4

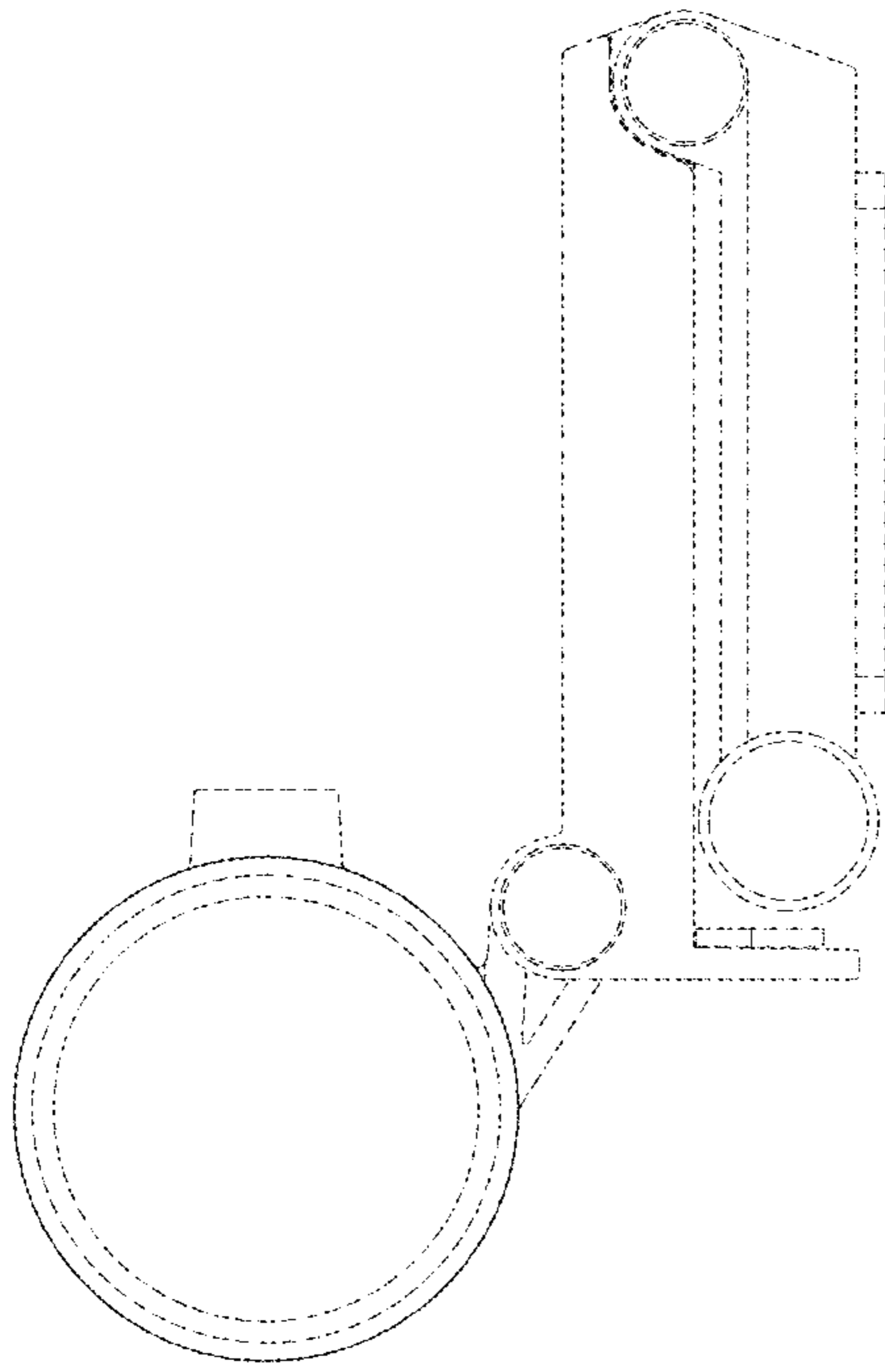


Fig. 5

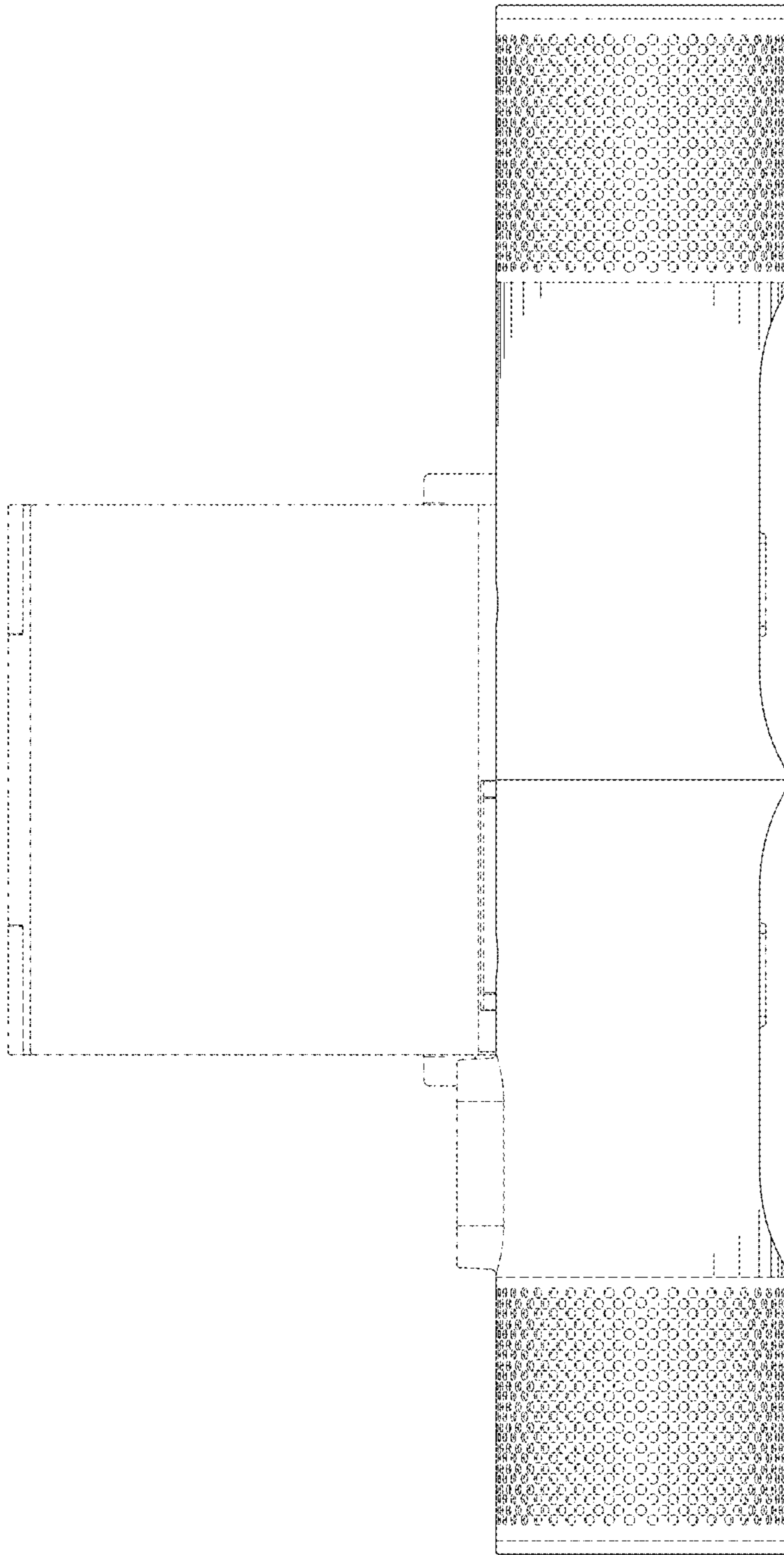


Fig. 6



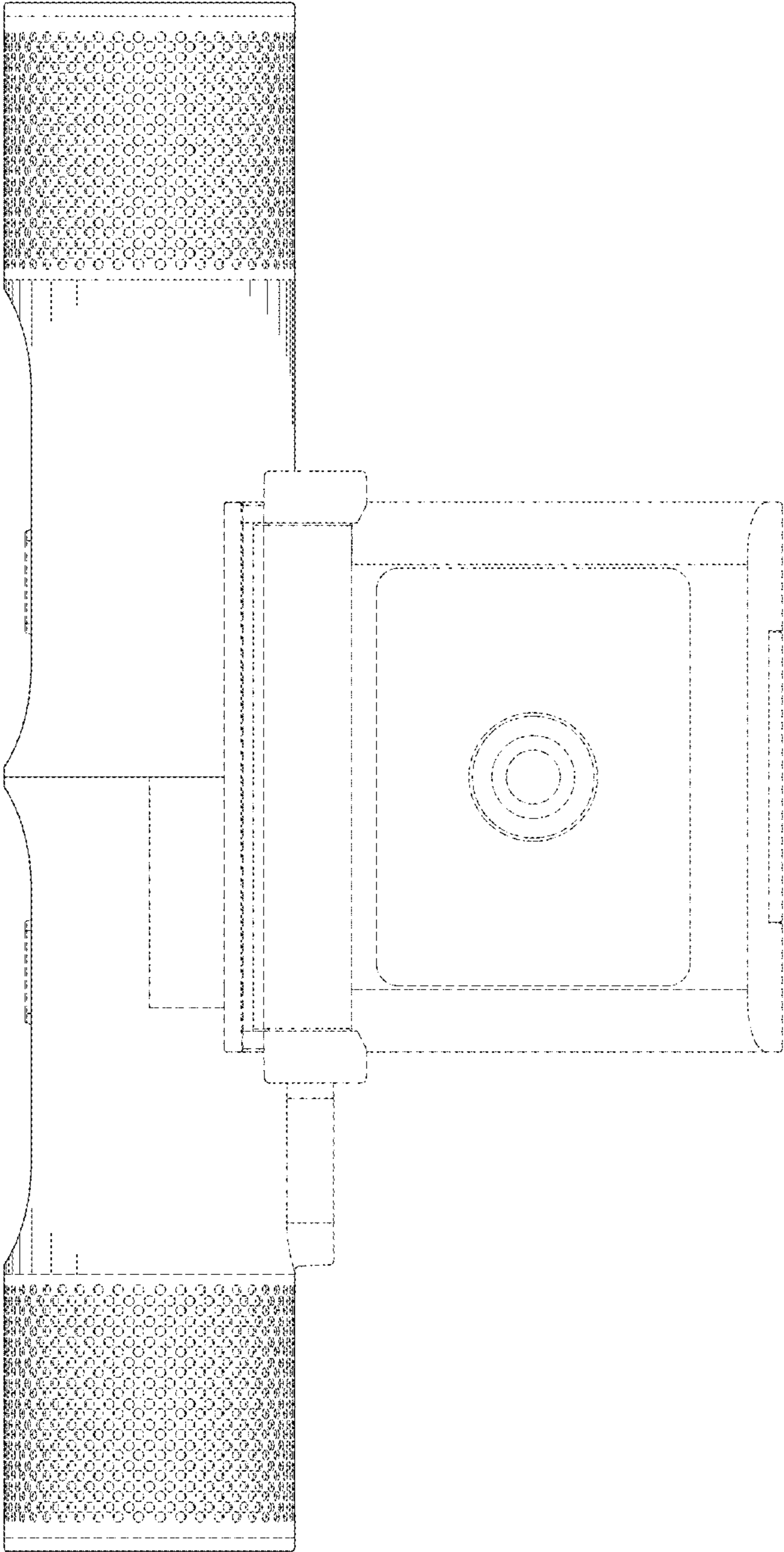


Fig. 7

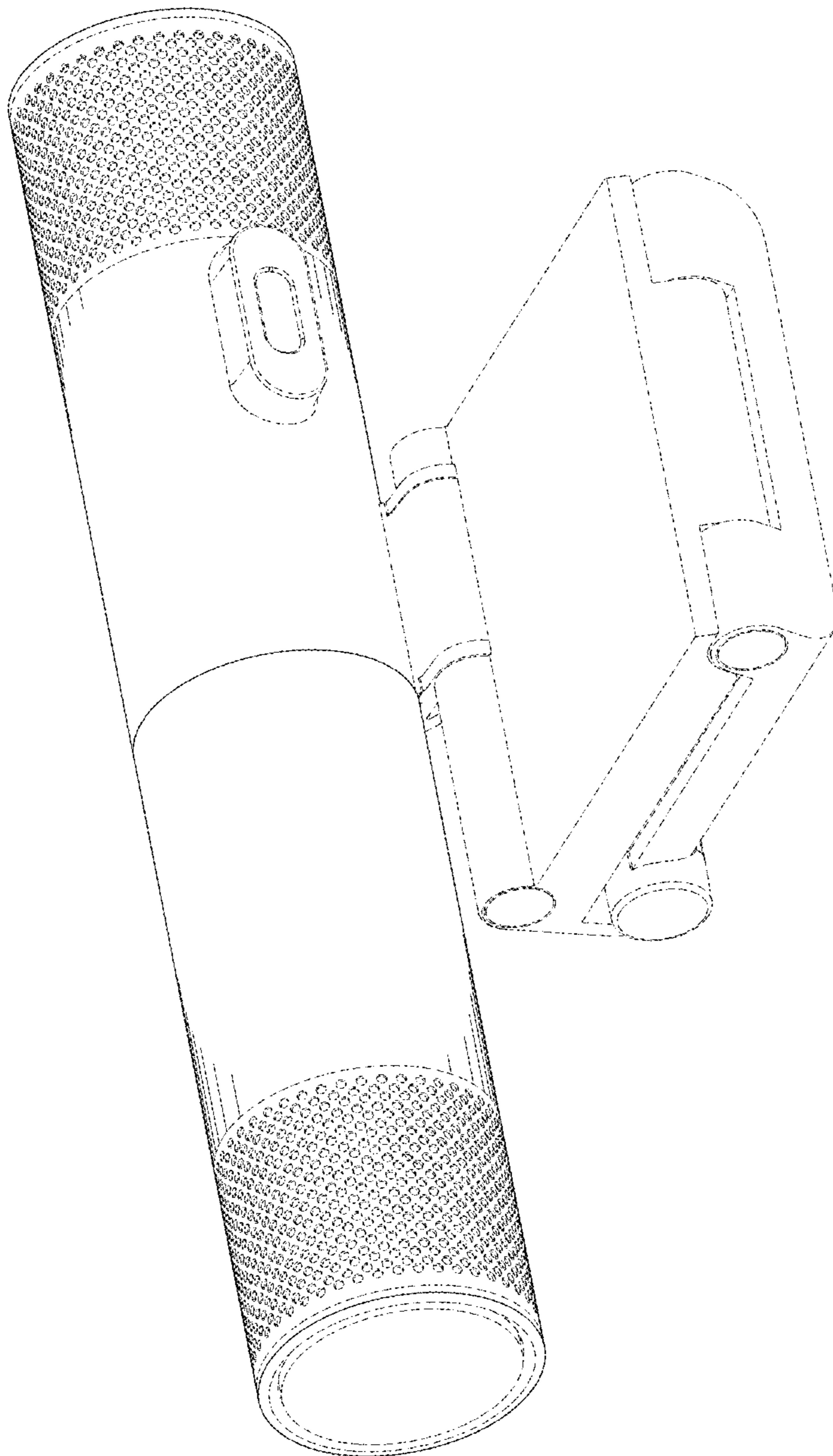


Fig. 8