



US00D982644S

(12) **United States Design Patent** (10) **Patent No.:** **US D982,644 S**
Su et al. (45) **Date of Patent:** **** Apr. 4, 2023**

(54) **CAMERA**

D940,313 S * 1/2022 Heine D24/133
D963,493 S * 9/2022 Harris D10/57
D966,387 S * 10/2022 Kawa D16/200
D968,254 S * 11/2022 Qin D10/118.2

(71) Applicant: **ARASHI VISION INC.**, Shenzhen (CN)

(72) Inventors: **Wen Su**, Shenzhen (CN); **Kehui He**, Shenzhen (CN); **Jingkang Liu**, Shenzhen (CN); **Fei Gao**, Shenzhen (CN); **Zhuo Guo**, Shenzhen (CN)

(73) Assignee: **ARASHI VISION INC.**, Shenzhen (CN)

(**) Term: **15 Years**

(21) Appl. No.: **29/769,644**

(22) Filed: **Feb. 7, 2021**

(30) **Foreign Application Priority Data**

Aug. 7, 2020 (CN) 202030447671.9

(51) **LOC (14) Cl.** **16-01**

(52) **U.S. Cl.**
USPC **D16/200**

(58) **Field of Classification Search**
USPC D10/104.1, 104.2; D14/317; D16/200, D16/202, 203, 207, 208, 213, 214
CPC .. G03B 2219/00; G03B 19/00; H04N 5/2252; H04N 2101/00
See application file for complete search history.

(56) **References Cited**

U.S. PATENT DOCUMENTS

D767,568 S * 9/2016 McWilliam D14/358
D809,411 S * 2/2018 Dwivedula D10/106.9
D828,863 S * 9/2018 Wang D16/218
D848,298 S * 5/2019 Taheri D10/118.2
D898,802 S * 10/2020 Liu D16/218
D910,735 S * 2/2021 Wexler D16/218
D922,236 S * 6/2021 Tan D10/118.2

FOREIGN PATENT DOCUMENTS

CN 305286873 * 8/2019
CN 307401061 * 6/2022
EM 008208276-0002 * 10/2020

OTHER PUBLICATIONS

Amazon Insta360Go, earliest pictured Dec. 4, 2019, [online], [site visited Dec. 7, 2022]. Available via Internet, <URL:https://www.amazon.com/dp/B0816HBCZK?tag=lyrbg-20&geniuslink=true> (Year: 2019).*

(Continued)

Primary Examiner — Sanjeev Paul
Assistant Examiner — Breana Copeland

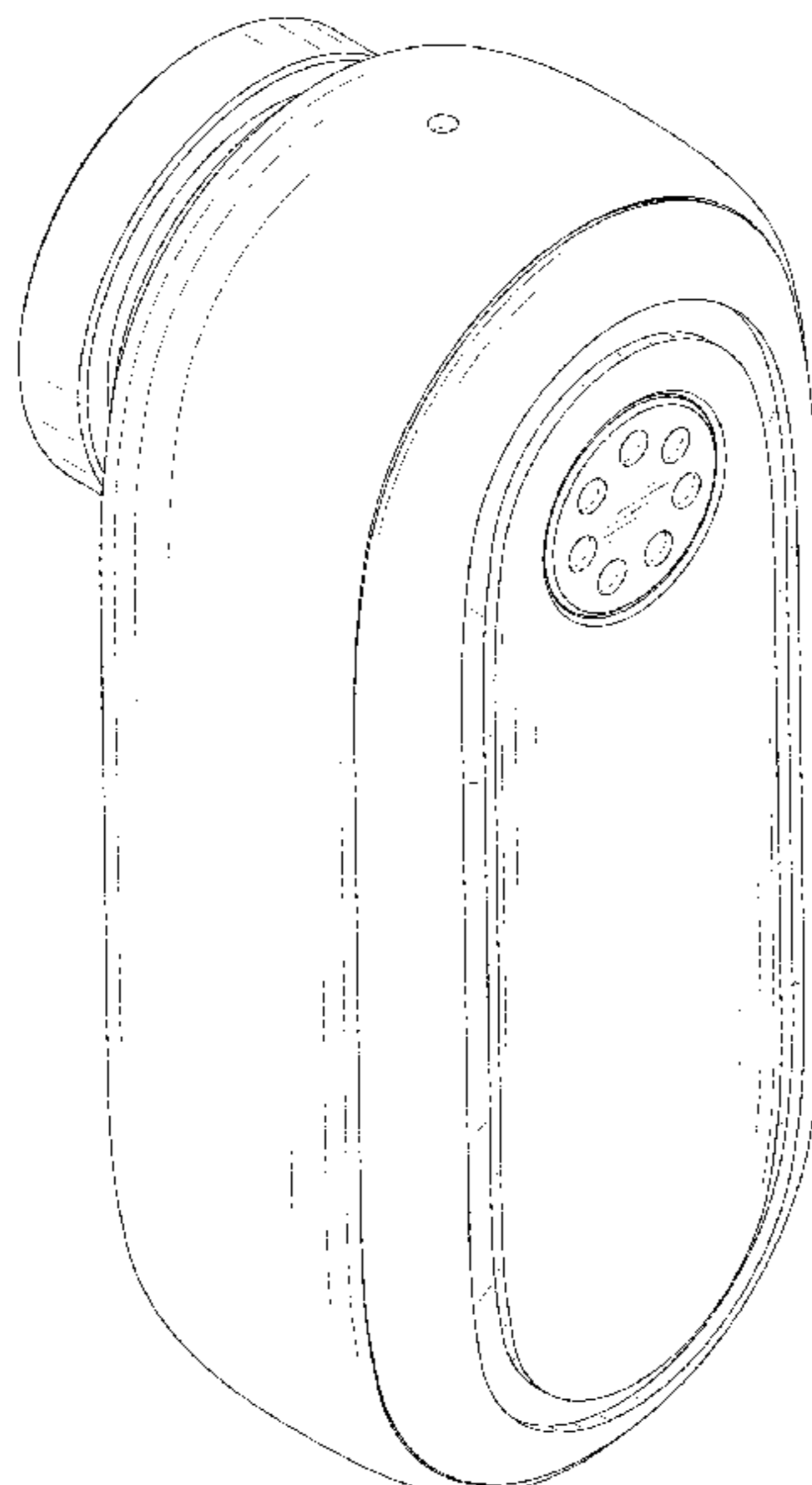
(57) **CLAIM**

The ornamental design for a camera, as shown and described.

DESCRIPTION

FIG. 1 is a perspective view of a camera showing our new design;
FIG. 2 is another perspective view thereof;
FIG. 3 is a front elevational view thereof;
FIG. 4 is a rear elevational view thereof;
FIG. 5 is a left side elevational view thereof;
FIG. 6 is a right side elevational view thereof;
FIG. 7 is a top plan view thereof; and,
FIG. 8 is a bottom plan view thereof.
The broken lines in the drawings depict portions of the camera that form no part of the claimed design.

1 Claim, 8 Drawing Sheets



(56)

References Cited

OTHER PUBLICATIONS

Insta360 Insta360 GO2, earliest pictured Mar. 9, 2021, [online], [site visited Dec. 7, 2022]. Available via Internet, <URL:<https://www.insta360.com/product/insta360-go2>> (Year: 2021).*

Amazon Brathird Mini Body Camera, earliest pictured May 29, 2022, [online], [site visited Dec. 7, 2022]. Available via Internet, <URL:https://www.amazon.com/dp/B09XXBZ5Z2?ref_=cm_sw_r_cp_ud_dp_4K392B2928PVSF336H6P> (Year: 2022).*

Google Search, [online], [site visited Dec. 7, 2022]. Available via Internet, <URL:https://www.google.com/search?q=wearable+camera&rlz=1C1GCEA_enUS1001US1001&source=lnms&tbm=isch&sa=X&ved=2ahUKEwikkJeJyef7A%E2%80%A6> (Year: 2022).*

* cited by examiner

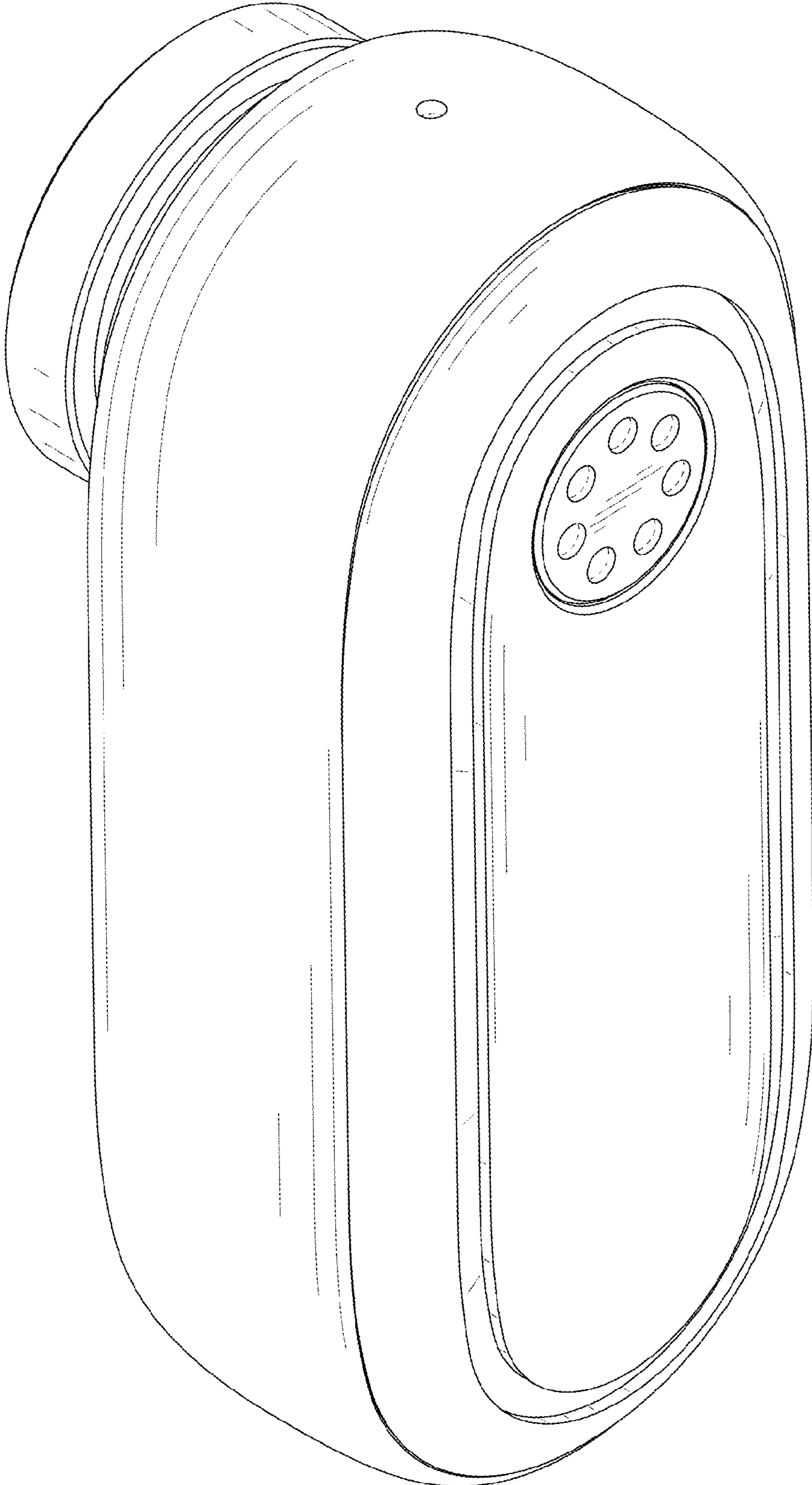


FIG. 1

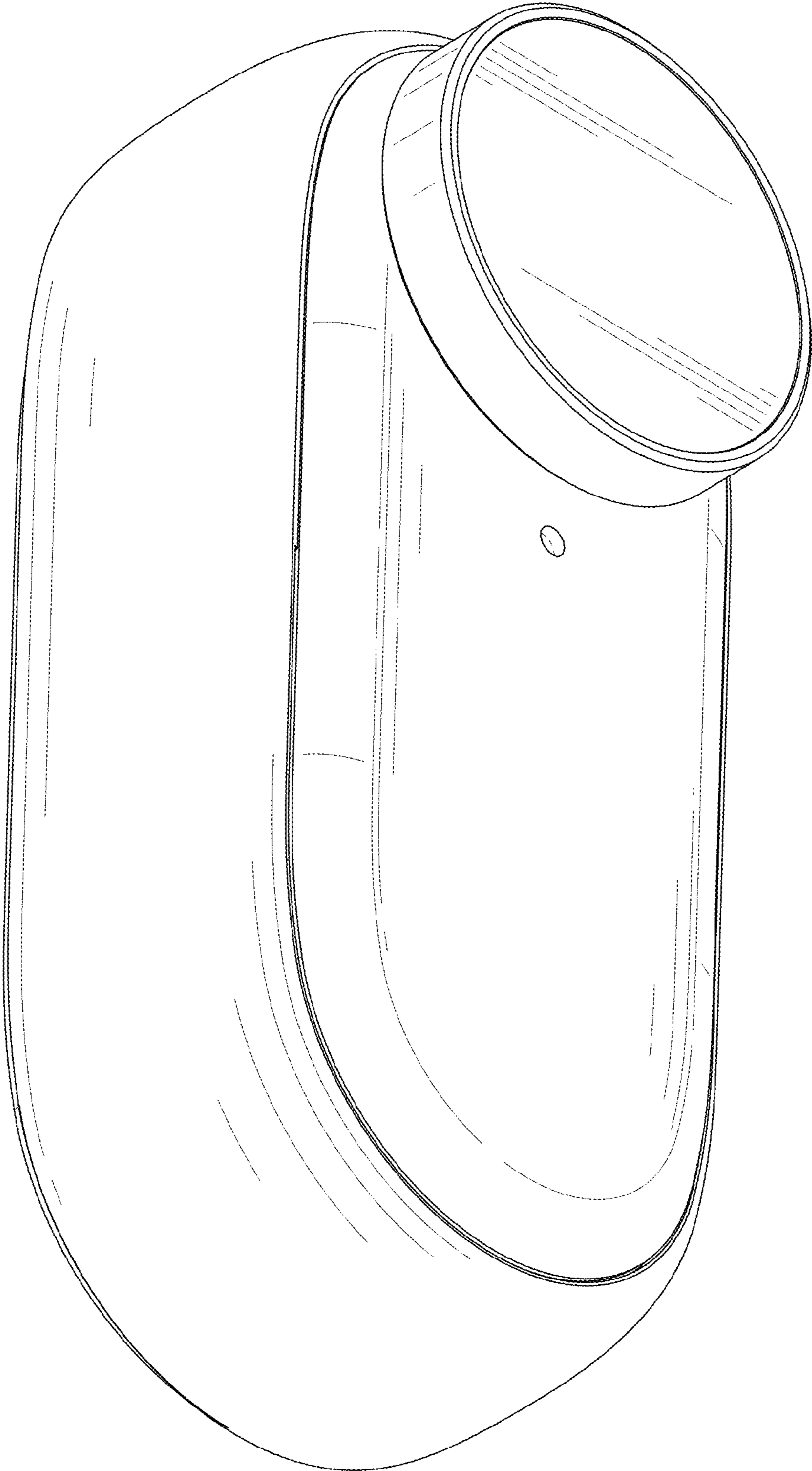


FIG. 2

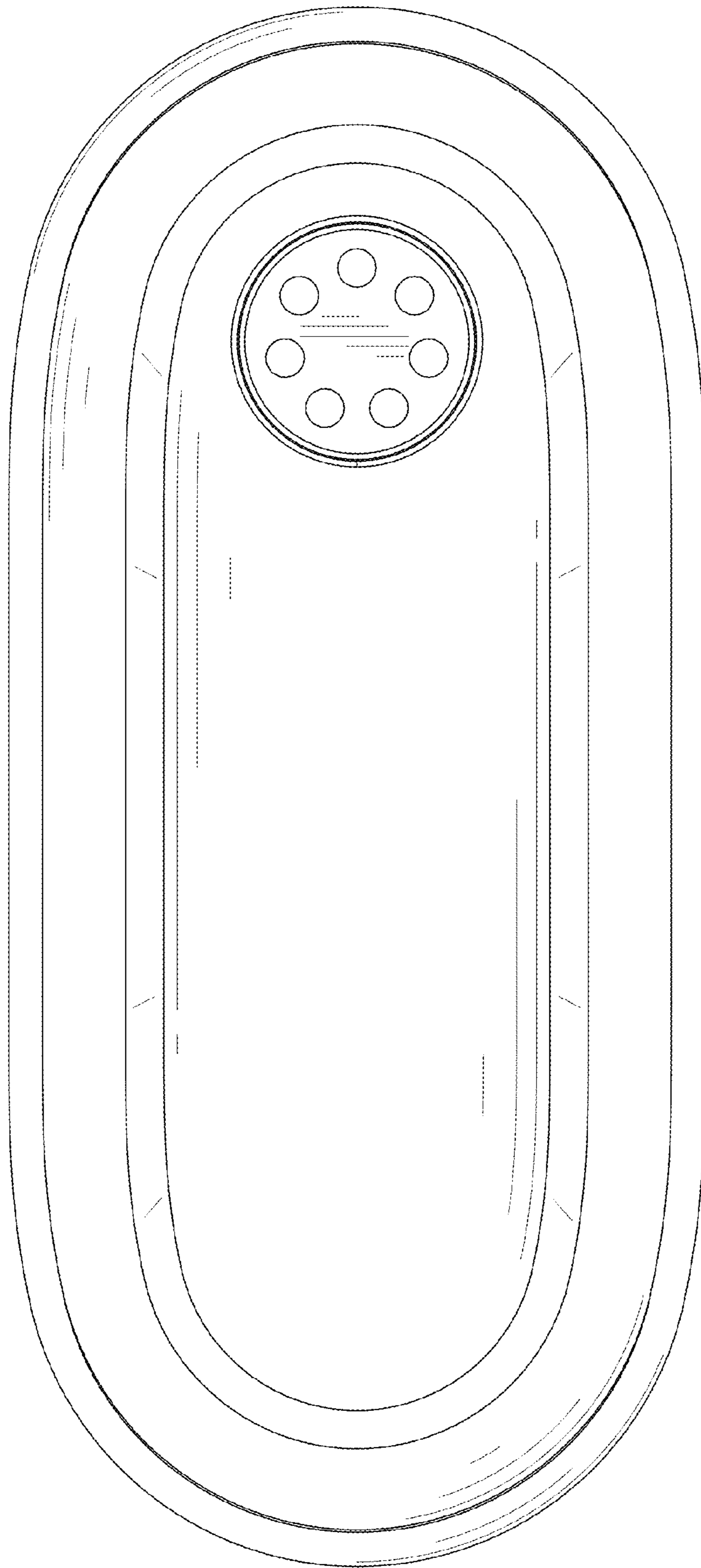


FIG. 3

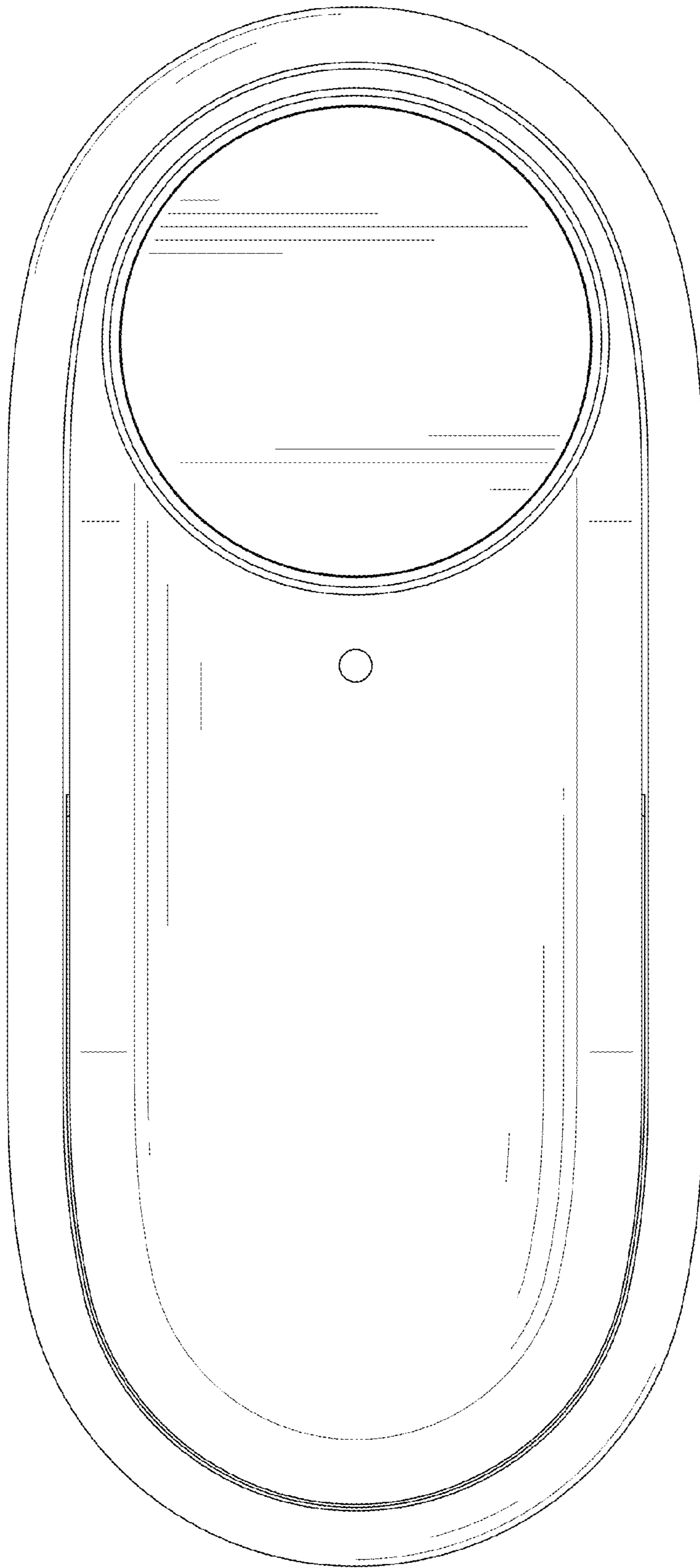


FIG. 4

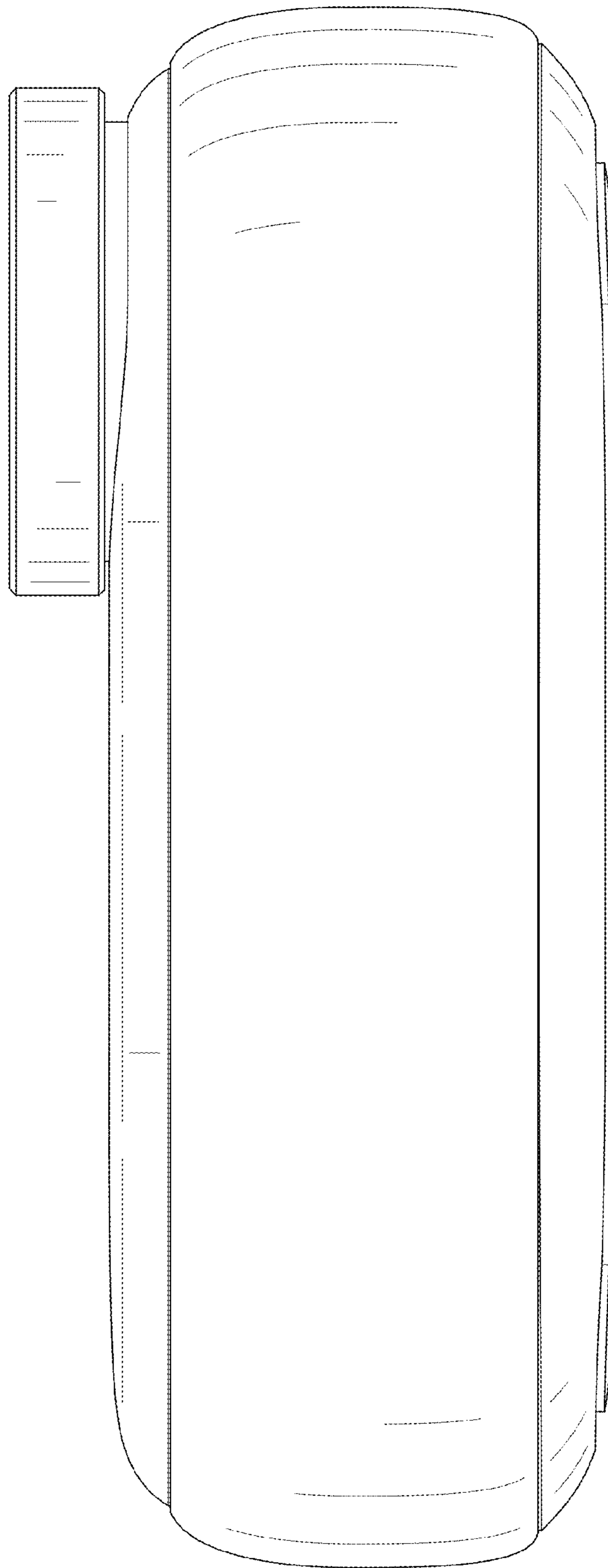


FIG. 5

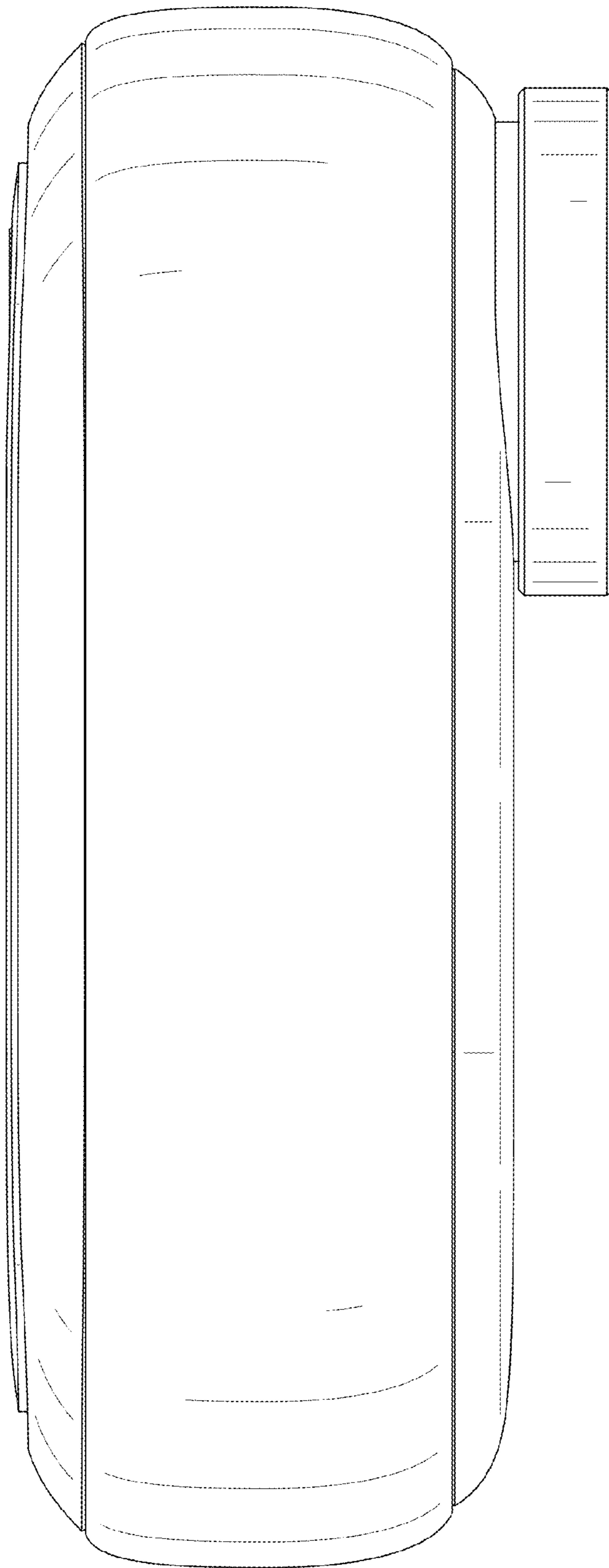


FIG. 6

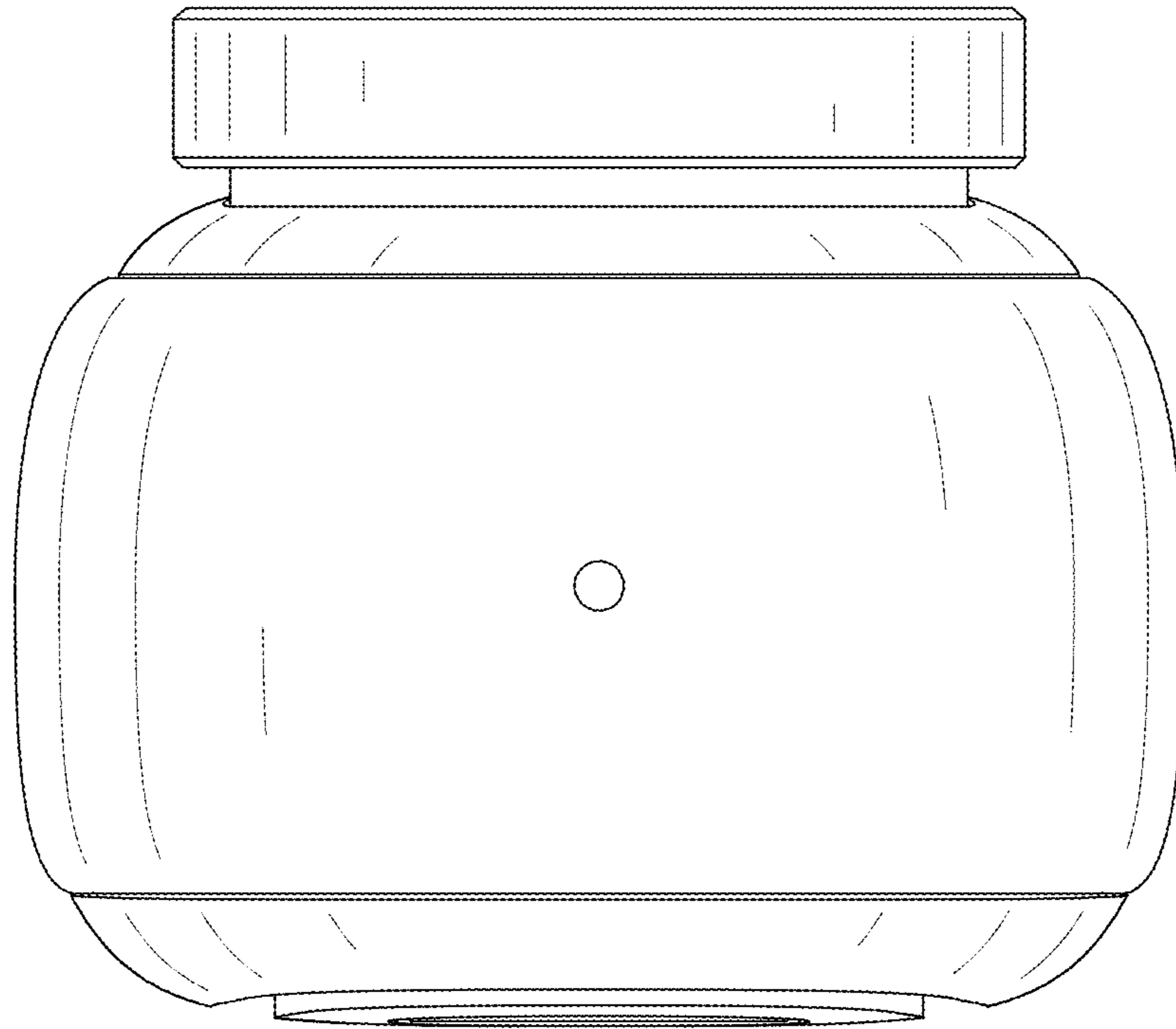


FIG. 7

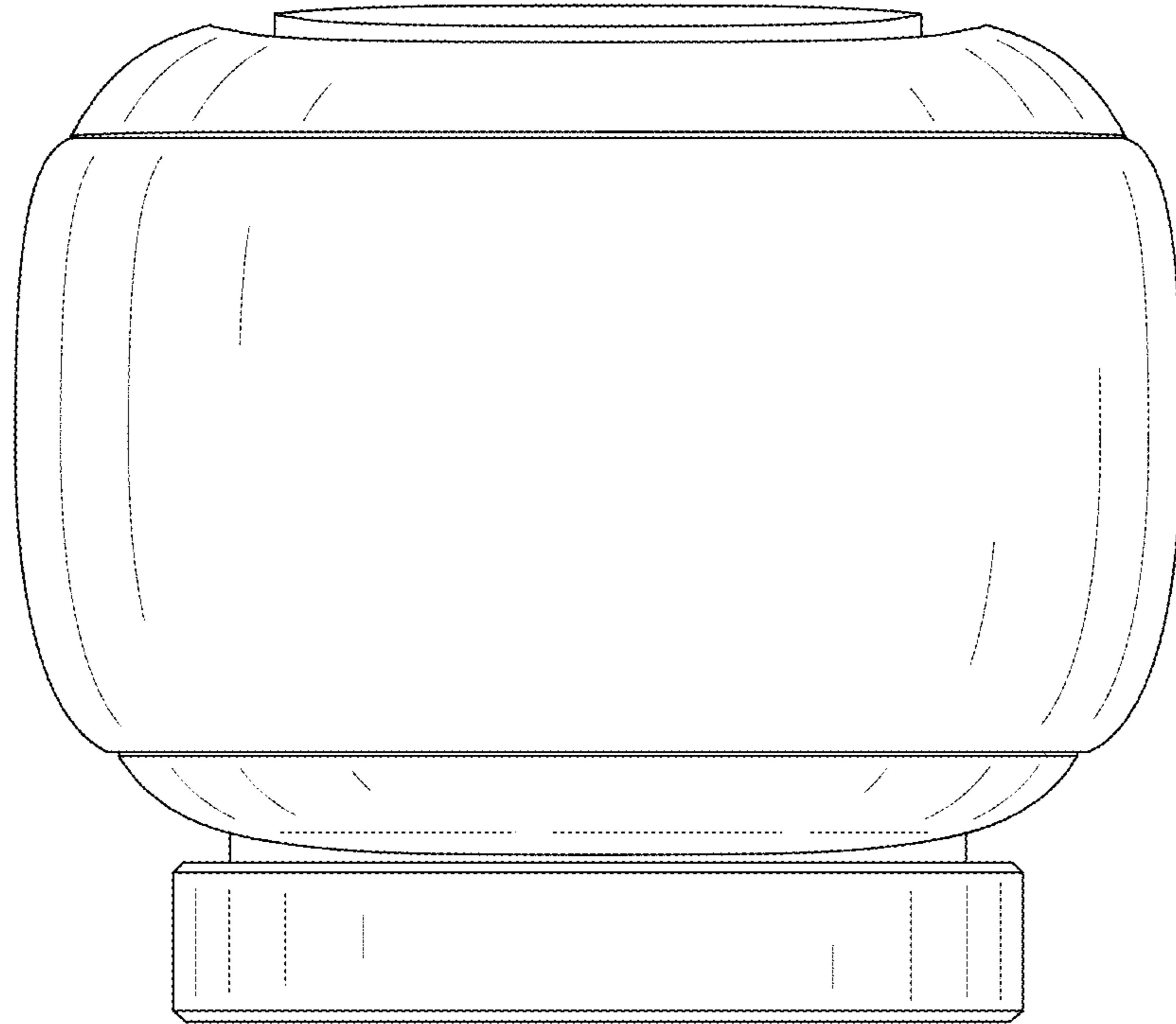


FIG. 8