



US00D982643S

(12) **United States Design Patent**  
**Sjögren et al.**

(10) **Patent No.:** **US D982,643 S**

(45) **Date of Patent:** **\*\* Apr. 4, 2023**

(54) **CAMERA**

(71) Applicant: **Axis AB**, Lund (SE)

(72) Inventors: **Jonas Sjögren**, Lund (SE); **Mathias Walter**, Lund (SE); **Mariano Vozzi**, Lund (SE); **Sebastian Engwall**, Lund (SE); **Daisuke Sasaki**, Tokyo (JP); **Hiroyuki Ide**, Tokyo (JP); **Akira Tagaya**, Tokyo (JP); **Ryoko Moriya**, Tokyo (JP); **Masatake Matsuo**, Tokyo (JP)

(73) Assignee: **AXIS AB**, Lund (SE)

(\*\*) Term: **15 Years**

(21) Appl. No.: **29/762,639**

(22) Filed: **Dec. 17, 2020**

(30) **Foreign Application Priority Data**

Jun. 25, 2020 (EM) ..... 008021406

(51) **LOC (14) Cl.** ..... **16-01**

(52) **U.S. Cl.**  
USPC ..... **D16/200**; D16/203

(58) **Field of Classification Search**  
USPC ..... D16/200–203, 208, 217; D10/28, 46,  
D10/104.1, 106.1, 106.2, 109.2;  
D14/203.1, 204, 474, 496, 510  
CPC .... G03B 17/00; G03B 17/02; G03B 2217/00;  
H04N 5/2251; H04N 5/2252; H04N  
5/225

See application file for complete search history.

(56) **References Cited**

**U.S. PATENT DOCUMENTS**

D279,554 S \* 7/1985 Hicks ..... D10/74  
D558,811 S \* 1/2008 Higgins ..... D16/208  
D700,231 S \* 2/2014 Berkmortel ..... D16/203  
D747,380 S \* 1/2016 Fish, Jr. .... D14/230  
D754,777 S \* 4/2016 Fish, Jr. .... D16/242

D757,146 S \* 5/2016 Walter ..... D16/203  
D812,669 S \* 3/2018 Huang ..... D16/202  
D887,473 S \* 6/2020 Park ..... D16/203

(Continued)

**FOREIGN PATENT DOCUMENTS**

EM 003371426-0001 S 9/2016  
JP D1426200 S 10/2011  
JP D1507911 S 9/2014

(Continued)

**OTHER PUBLICATIONS**

“Montavue MTZ4040 4MP Pan-Tilt-Zoom (PTZ) Speed Dome Camera with 2K HD Resolution, 4x Zoom, and Low Light Color Optics” from Montavue.com, first retrieved Oct. 6, 2022 from the internet <[https://montavue.com/products/montavue-mtz4040-4mp-pan-tilt-zoom-ptz-speed-dome-camera-with-2k-hd-resolution-4x-zoom-and-color-night-optics?variant=37681160782000&utm\\_source=GoogleShopping&utm\\_medium=AdWords&utm\\_campaign=ShoppingFeed&utm1&gc\\_id=18225136727&gclid=EAlalQobChM15tPrpdzL-gIV6GJyCh0hDQL3EAQYDCABEgKklfD\\_BwE](https://montavue.com/products/montavue-mtz4040-4mp-pan-tilt-zoom-ptz-speed-dome-camera-with-2k-hd-resolution-4x-zoom-and-color-night-optics?variant=37681160782000&utm_source=GoogleShopping&utm_medium=AdWords&utm_campaign=ShoppingFeed&utm1&gc_id=18225136727&gclid=EAlalQobChM15tPrpdzL-gIV6GJyCh0hDQL3EAQYDCABEgKklfD_BwE)> (Year: 2022).\*

(Continued)

*Primary Examiner* — Elizabeth J Oswecki

*Assistant Examiner* — Lacey Chey Bowman

(74) *Attorney, Agent, or Firm* — Tucker Ellis LLP

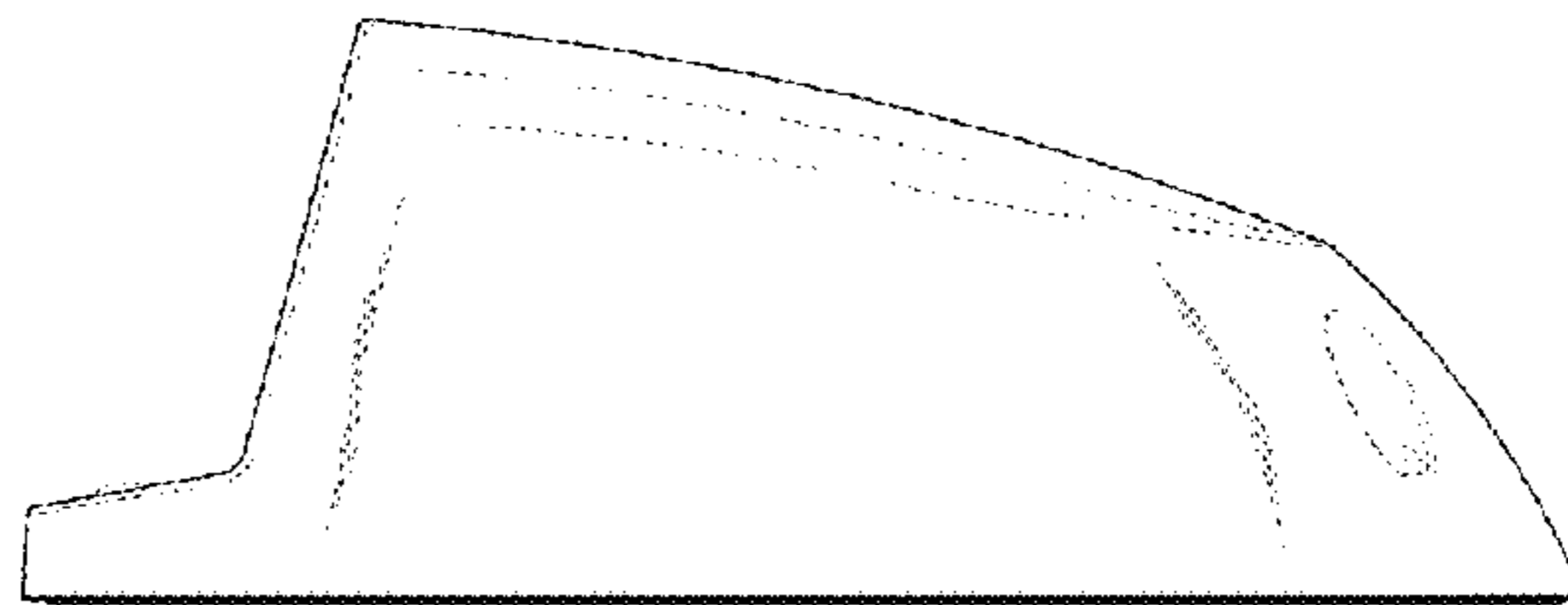
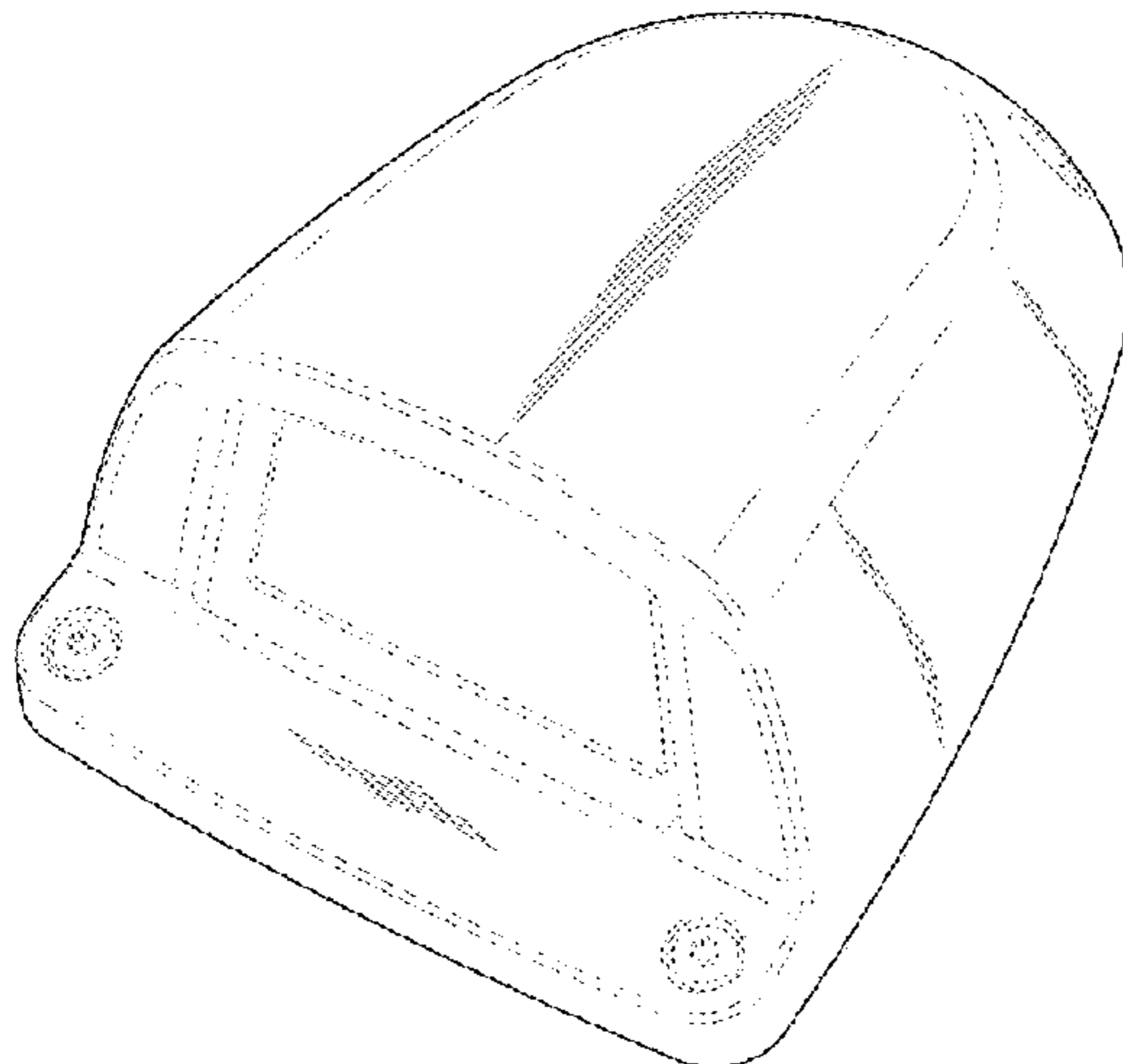
(57) **CLAIM**

The ornamental design for a camera, as shown and described.

**DESCRIPTION**

FIG. 1 is a front, left side, top perspective view of a camera showing our new design;  
FIG. 2 is a front view thereof;  
FIG. 3 is a rear view thereof;  
FIG. 4 is a left side view thereof;  
FIG. 5 is a right side view thereof;  
FIG. 6 is a top view thereof; and,  
FIG. 7 is a bottom view thereof.

(Continued)



The broken lines in the drawings illustrate portions of the camera that form no part of the claimed design.

**1 Claim, 4 Drawing Sheets**

(56)

**References Cited**

U.S. PATENT DOCUMENTS

D962,192 S \* 8/2022 D'Ascanio ..... D14/204  
2022/0094821 A1 \* 3/2022 Tagaya ..... H04N 5/232

FOREIGN PATENT DOCUMENTS

JP D1691885 \* 8/2021  
JP D1691886 \* 8/2021  
KR 3004158720000 S 5/2006  
KR 300962196.0000 \* 6/2018  
TW D125001 S 9/2008  
TW 173720-0001 \* 2/2016  
TW D173720 S 2/2016

OTHER PUBLICATIONS

“Alliance 2MP HD Fixed Lens 4-in-1 Covert Smoke Detector” from Securitycameraking.com, first retrieved Oct. 6, 2022 from the internet <<https://www.securitycameraking.com/product/alliance-2mp-hd-over-coax-1080p-covert-smoke-detector-camera-2-8mm/>> (Year: 2022).\*

\* cited by examiner

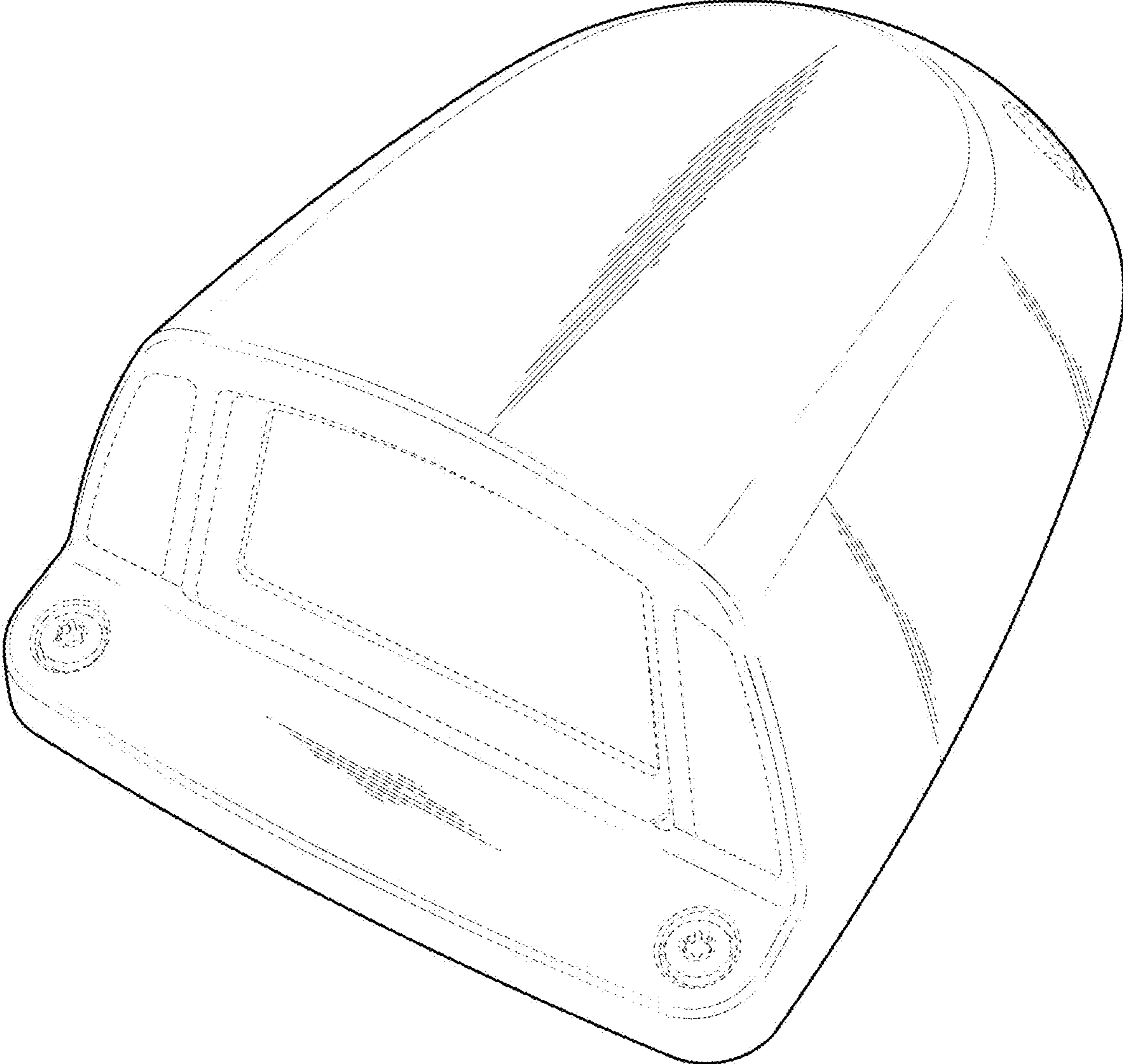


FIG. 1

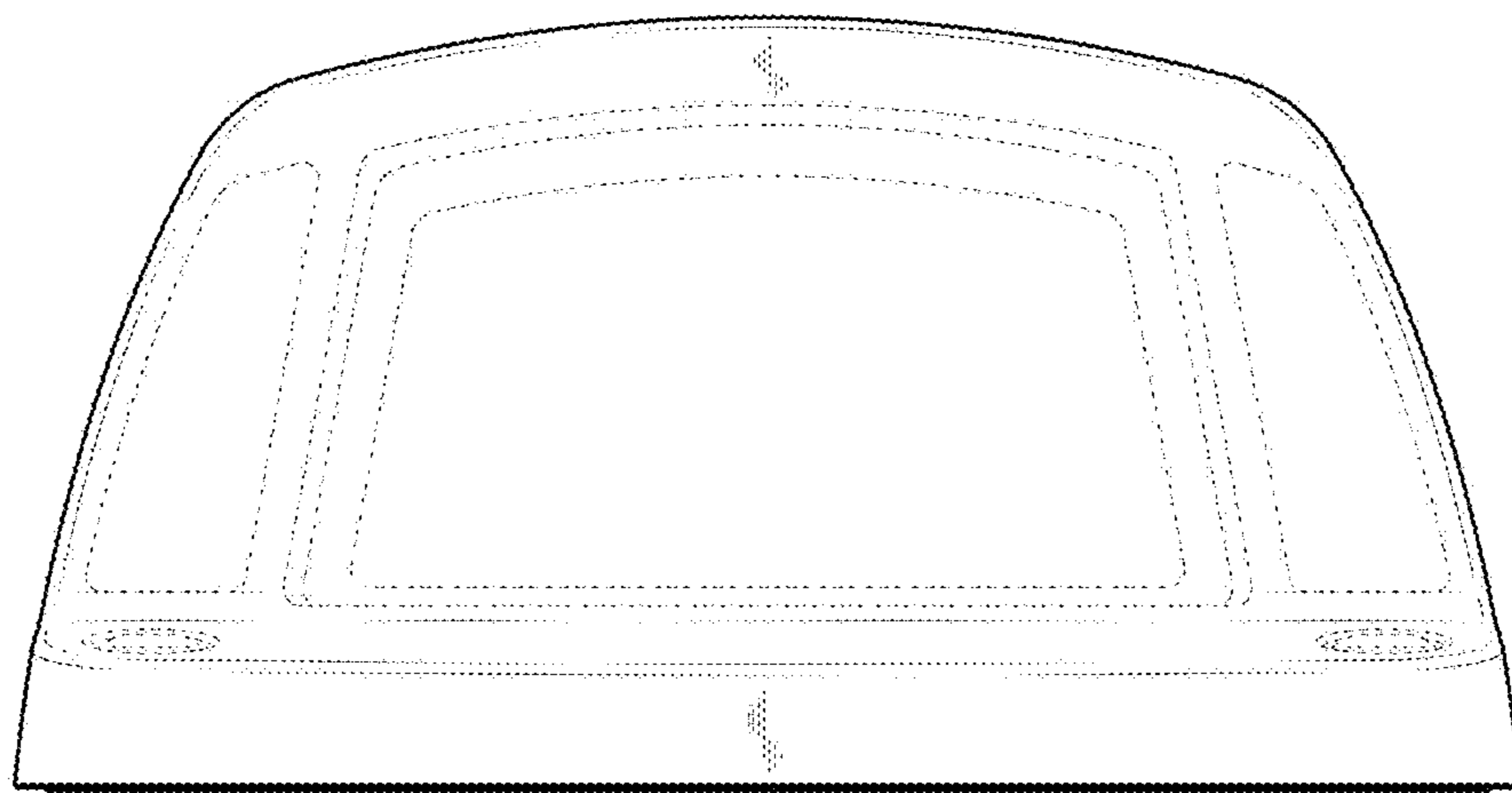


FIG. 2

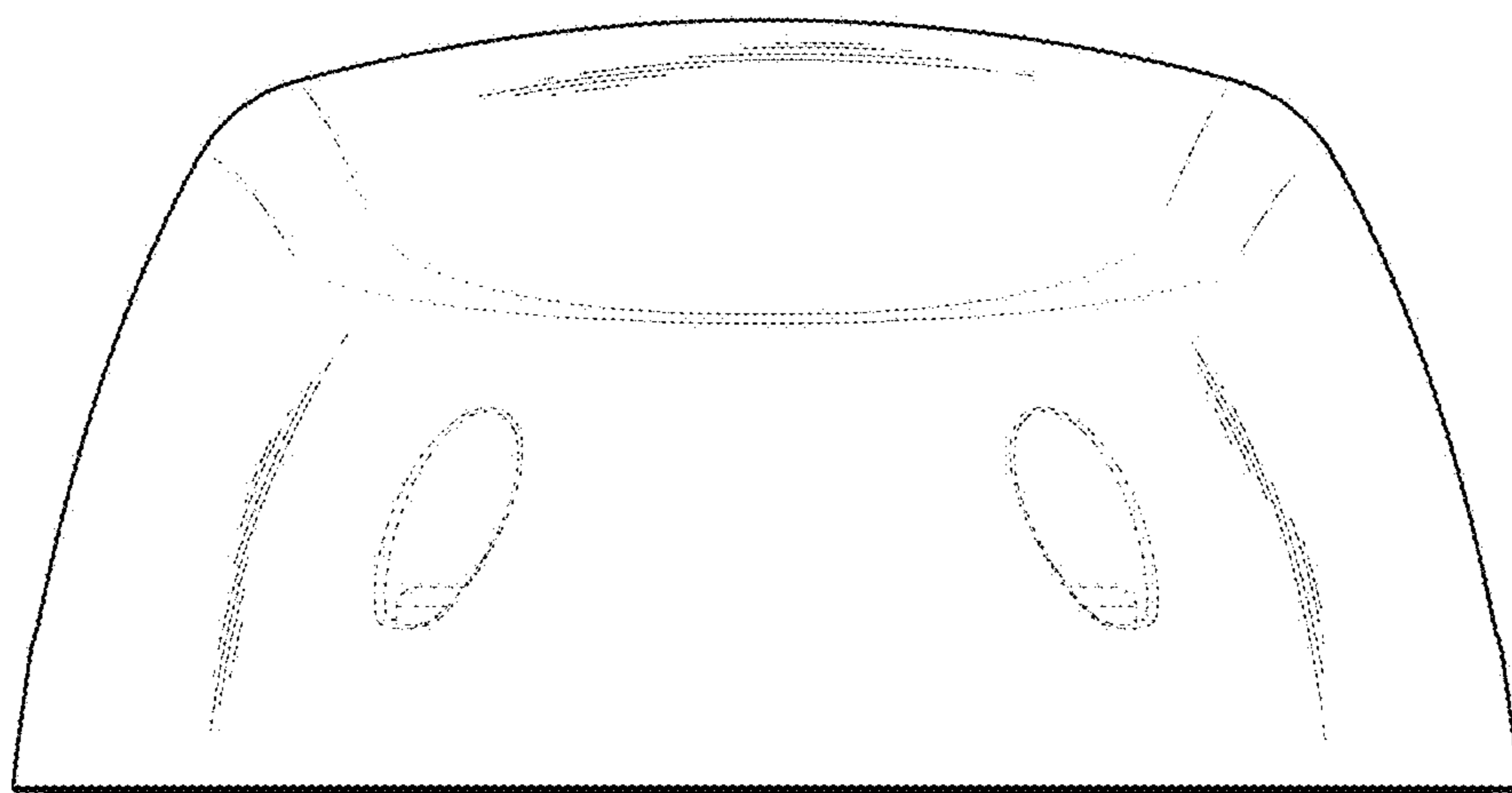


FIG. 3

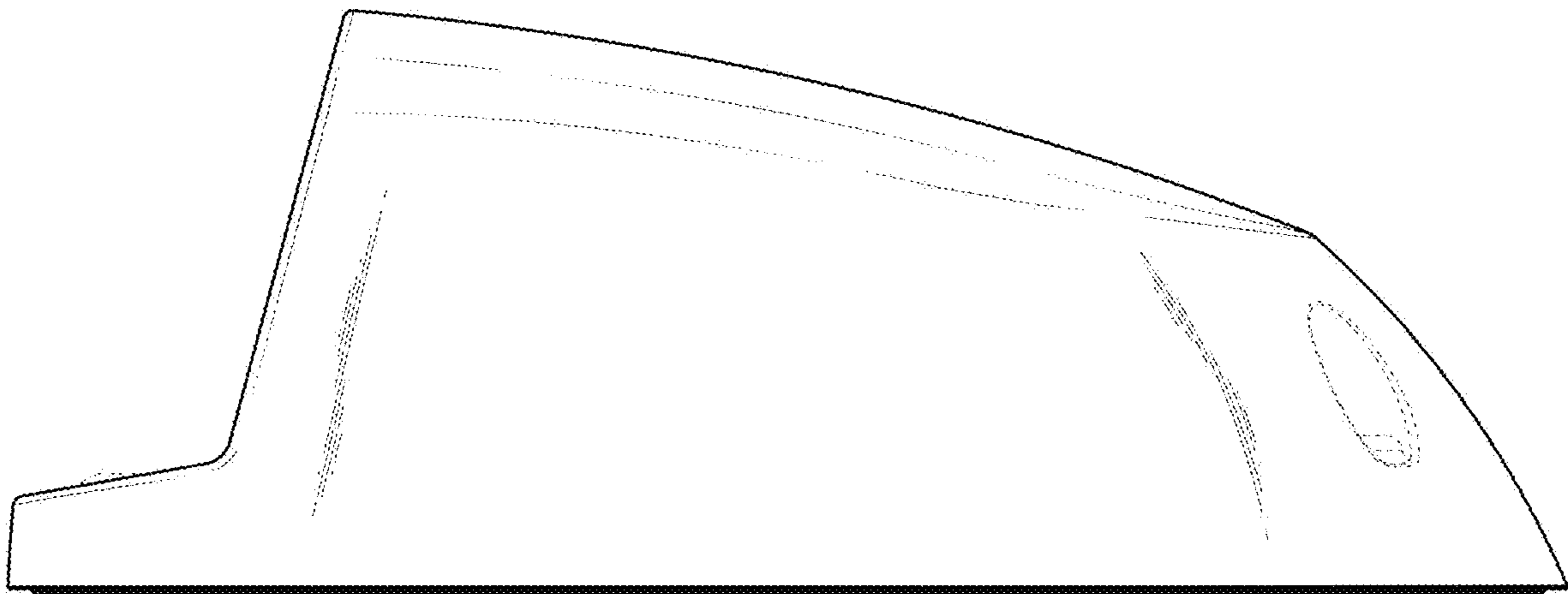


FIG. 4

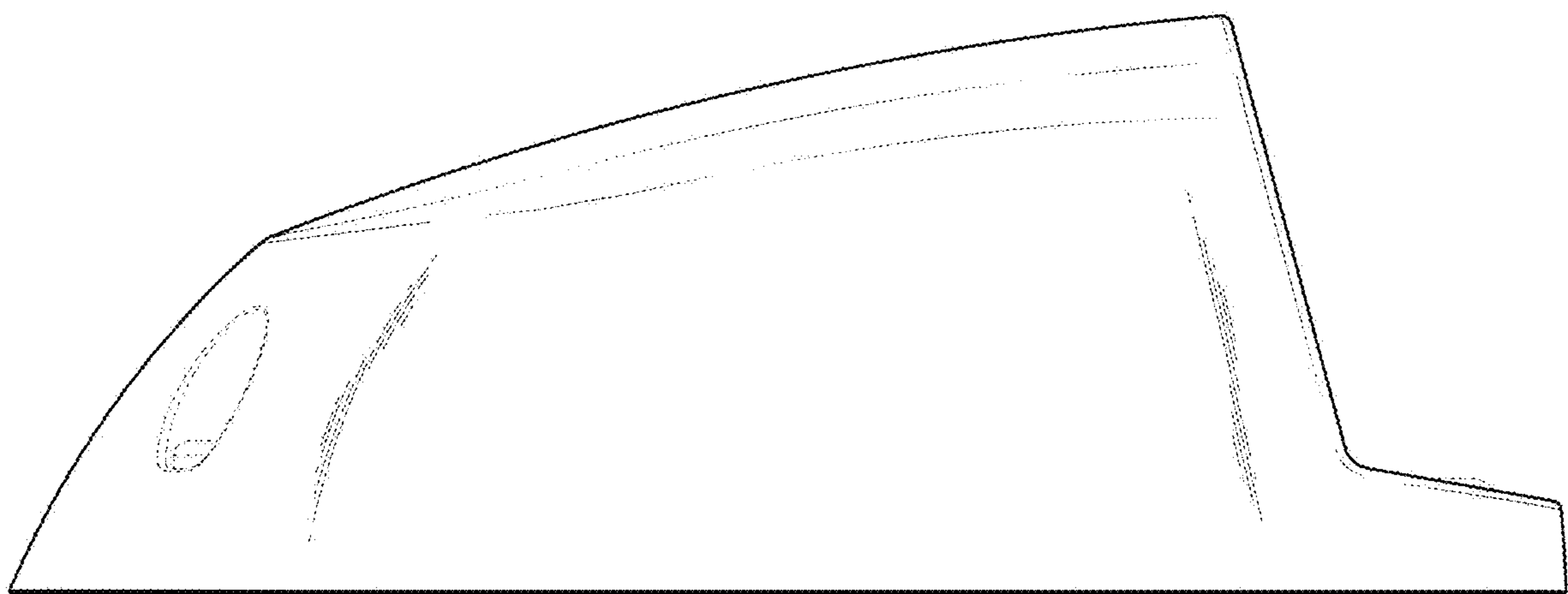


FIG. 5

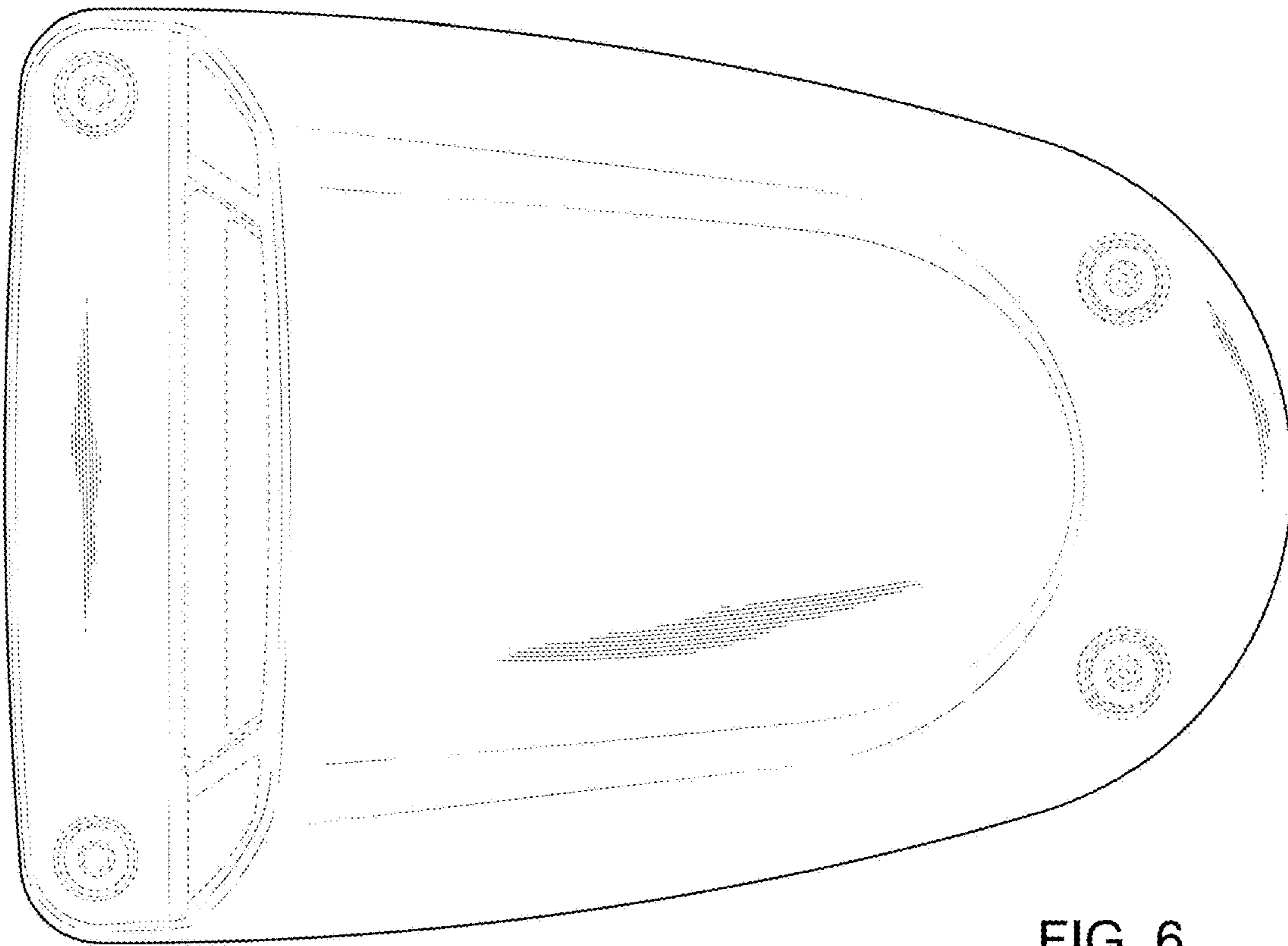


FIG. 6

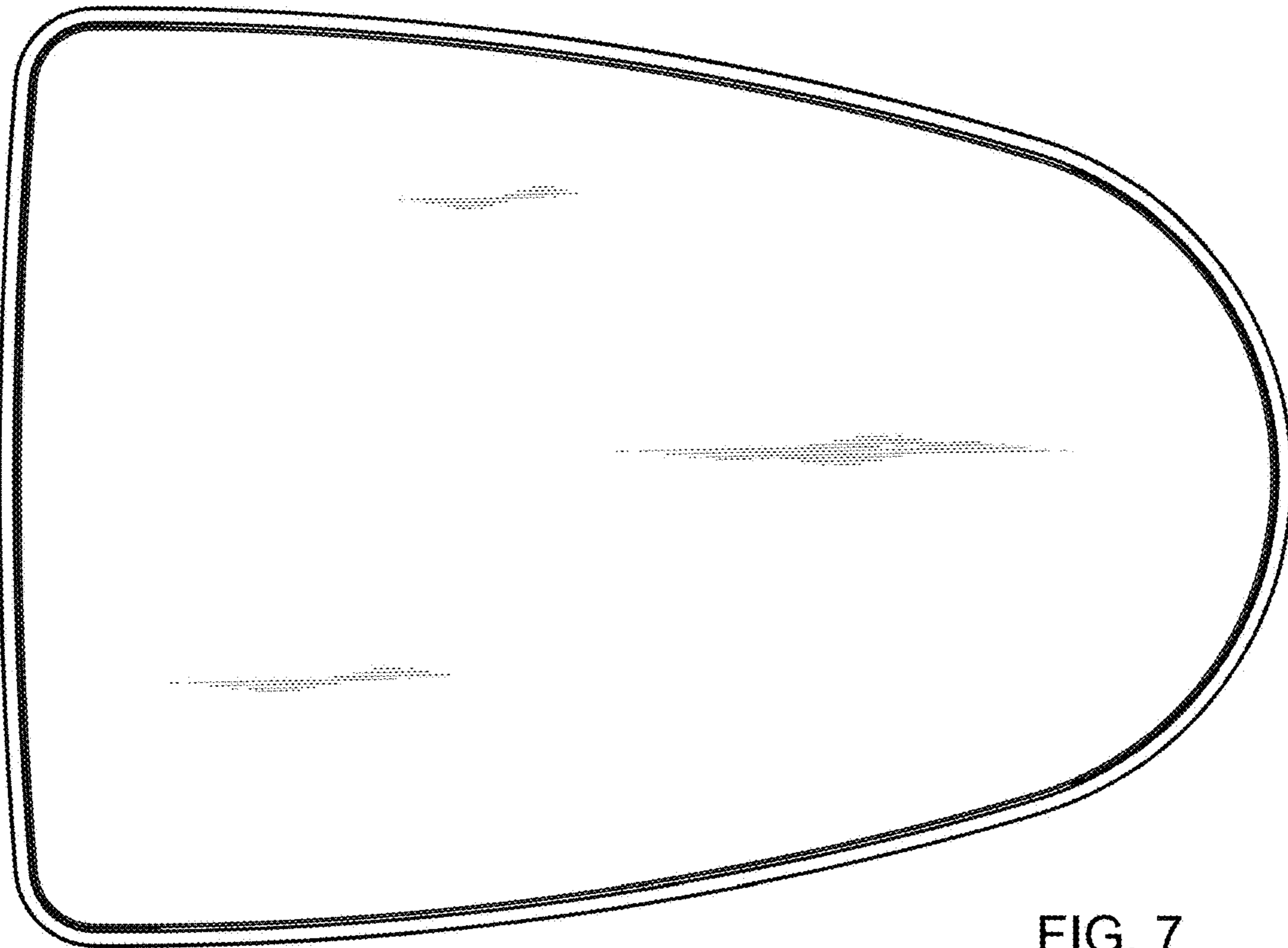


FIG. 7