



US00D982642S

(12) **United States Design Patent**
Wang

(10) **Patent No.:** **US D982,642 S**

(45) **Date of Patent:** **** Apr. 4, 2023**

(54) **NIGHT VISION MONOCULAR**

(71) Applicant: **Peng Wang**, Hunan (CN)

(72) Inventor: **Peng Wang**, Hunan (CN)

(**) Term: **15 Years**

(21) Appl. No.: **29/848,330**

(22) Filed: **Aug. 1, 2022**

(51) **LOC (14) Cl.** **16-06**

(52) **U.S. Cl.**
USPC **D16/132**

(58) **Field of Classification Search**
USPC D10/70, 109.1, 109.2; D16/130–136,
D16/237, 239, 241, 242, 250, 221, 222,
D16/225, 229, 235, 236, 200, 203, 204,
D16/208, 214, 218, 219, 220; D22/108,
D22/109

CPC ... G01C 3/00; G01C 3/02; G01C 3/04; G01C
3/06; G01C 3/08; G01C 3/085; G01C
3/10; G01C 3/12; G01C 3/16; G01C
3/18; G01C 3/20; G01C 3/22; G01C
3/24; G01C 3/26; G01C 3/28; G01C
3/30; G01C 3/32; G02B 23/00; G02B
23/04; G02B 23/12; G02B 23/14; G02B
23/18; F41G 1/00

See application file for complete search history.

(56) **References Cited**

U.S. PATENT DOCUMENTS

D362,257 S	9/1995	Palmer	
D472,256 S *	3/2003	Schick	D16/132
D616,956 S *	6/2010	Hamilton	D22/108
D704,297 S *	5/2014	Cheng	D22/109
D726,804 S *	4/2015	Voss	D16/237
10,408,571 B2 *	9/2019	Nobes	F41G 11/001
D895,050 S *	9/2020	Larsson	D22/109
D939,006 S	12/2021	Suzuki	
D953,474 S *	5/2022	Kim	D22/109

D956,121 S *	6/2022	Wang	D16/132
D957,495 S *	7/2022	Wang	D16/133
2017/0038177 A1 *	2/2017	Sun	F41G 11/003

OTHER PUBLICATIONS

Oneleaf.ai Commander NV100 Night Vision Goggles, <https://www.amazon.com/oneleaf-ai-Commander-Vision-Goggle-Watching/dp/B09YHRHKD7/>, Apr. 21, 2022 (Year: 2022).*

Oneleaf additional imagery, <https://www.amazon.com/oneleaf-ai-Commander-Vision-Goggle-Watching/dp/B09YHRHKD7/>, Apr. 21, 2022 (Year: 2022).*

* cited by examiner

Primary Examiner — Richard Kearney

Assistant Examiner — Benjamin M Weeks

(74) *Attorney, Agent, or Firm* — ScienBiziP, P.C.

(57) **CLAIM**

The ornamental design for a night vision monocular, as shown and described.

DESCRIPTION

FIG. 1 is a front, right and top perspective view of a night vision monocular, showing my design.

FIG. 2 is a rear, left and bottom perspective view thereof.

FIG. 3 is a front elevation view thereof.

FIG. 4 is a rear elevation view thereof.

FIG. 5 is a left side elevation view thereof.

FIG. 6 is a right side elevation view thereof.

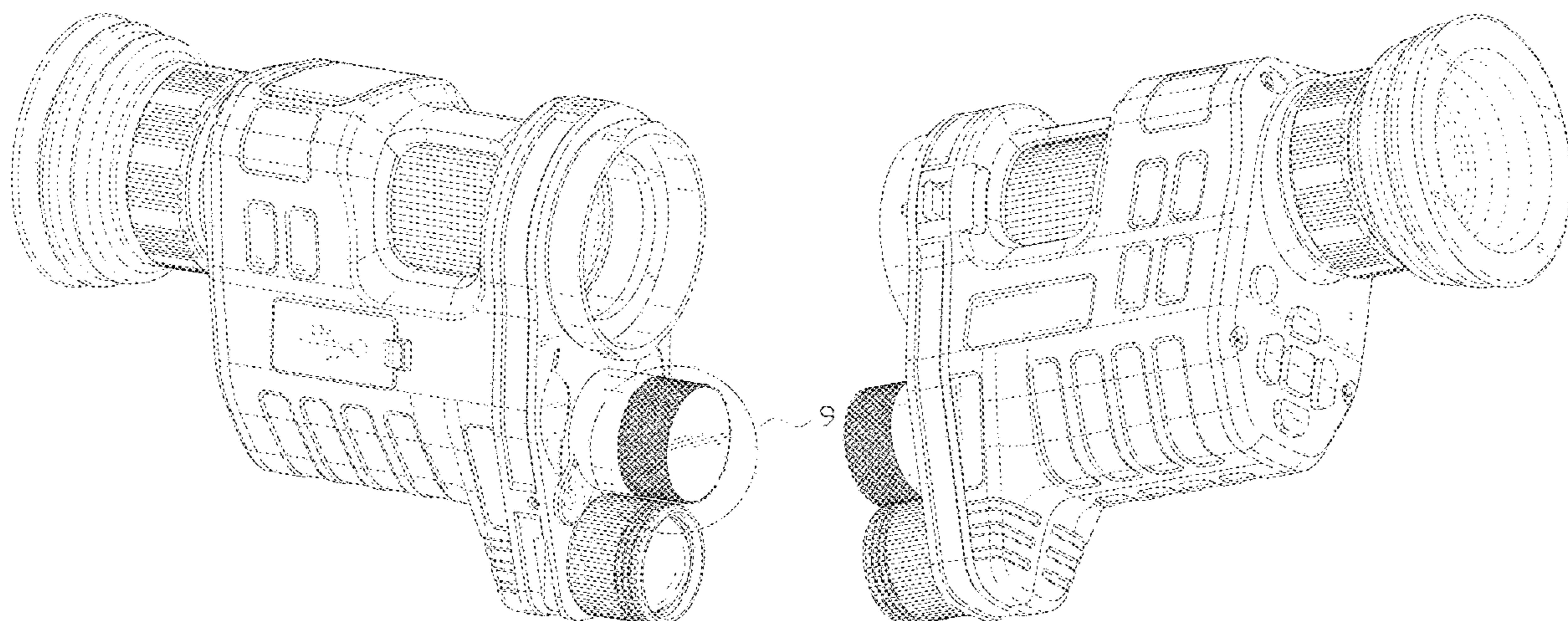
FIG. 7 is a top plan view thereof.

FIG. 8 is a bottom plan view thereof; and,

FIG. 9 is a partial enlarged view of an area labeled 9 in FIG. 1.

The broken lines shown in the drawings are included for the purpose of illustrating portions of the night vision monocular that form no part of the claimed design. In addition, the dot-dash broken lines in FIGS. 1 and 9 depict the boundaries of the enlargements that form no part of the claimed design.

1 Claim, 9 Drawing Sheets



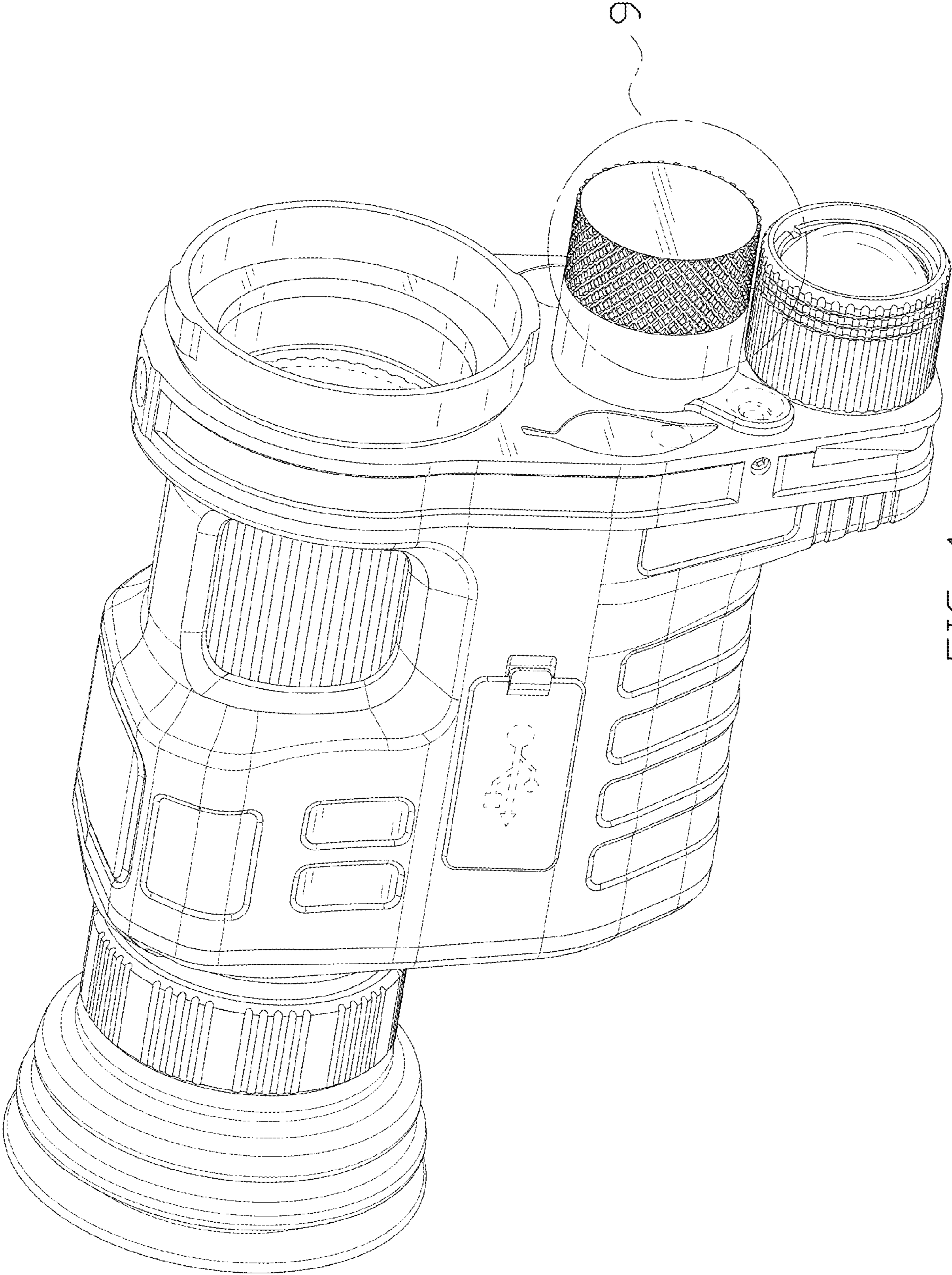


FIG. 1

Attorney Docket No. US006566W

2/9

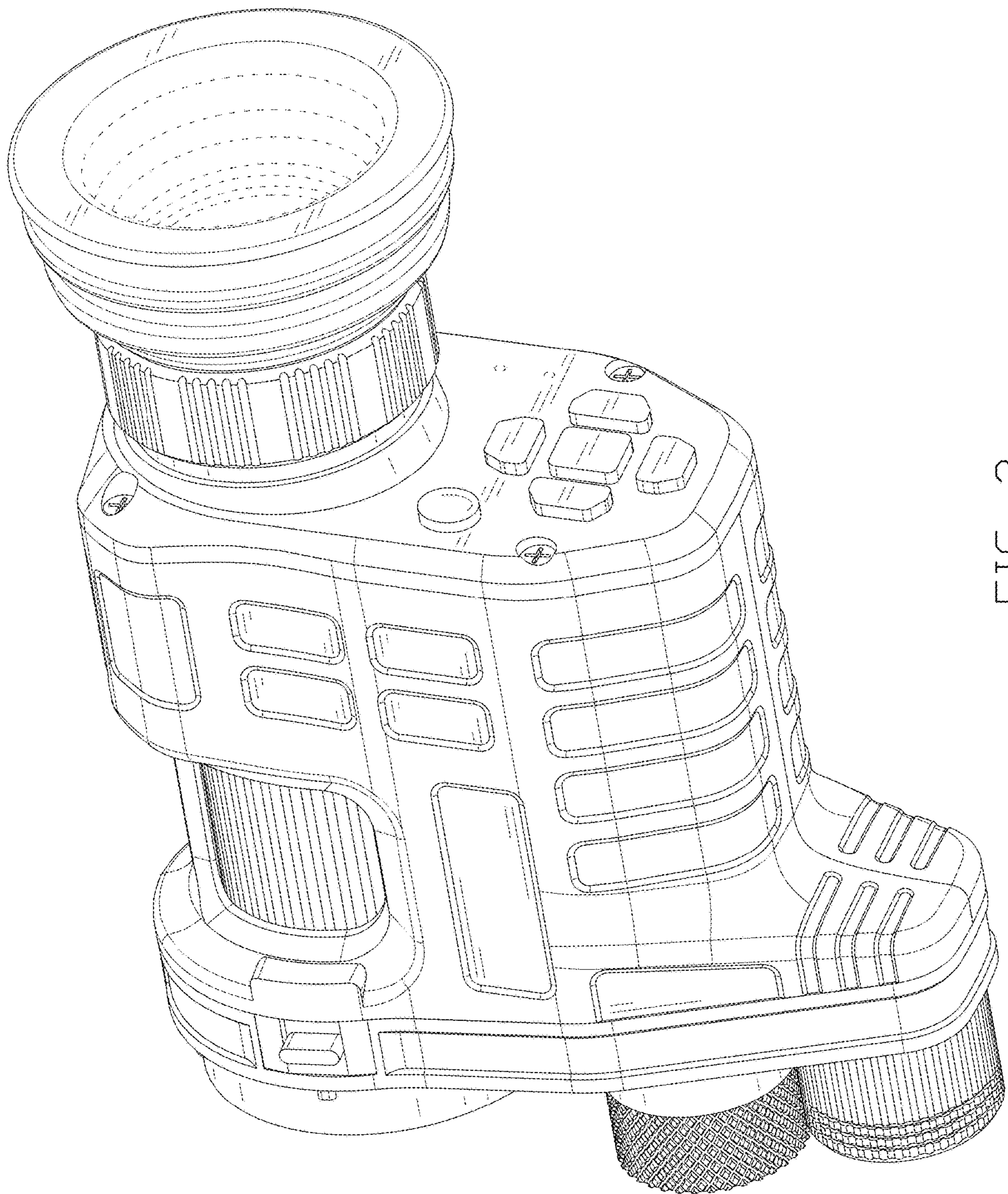


FIG. 2

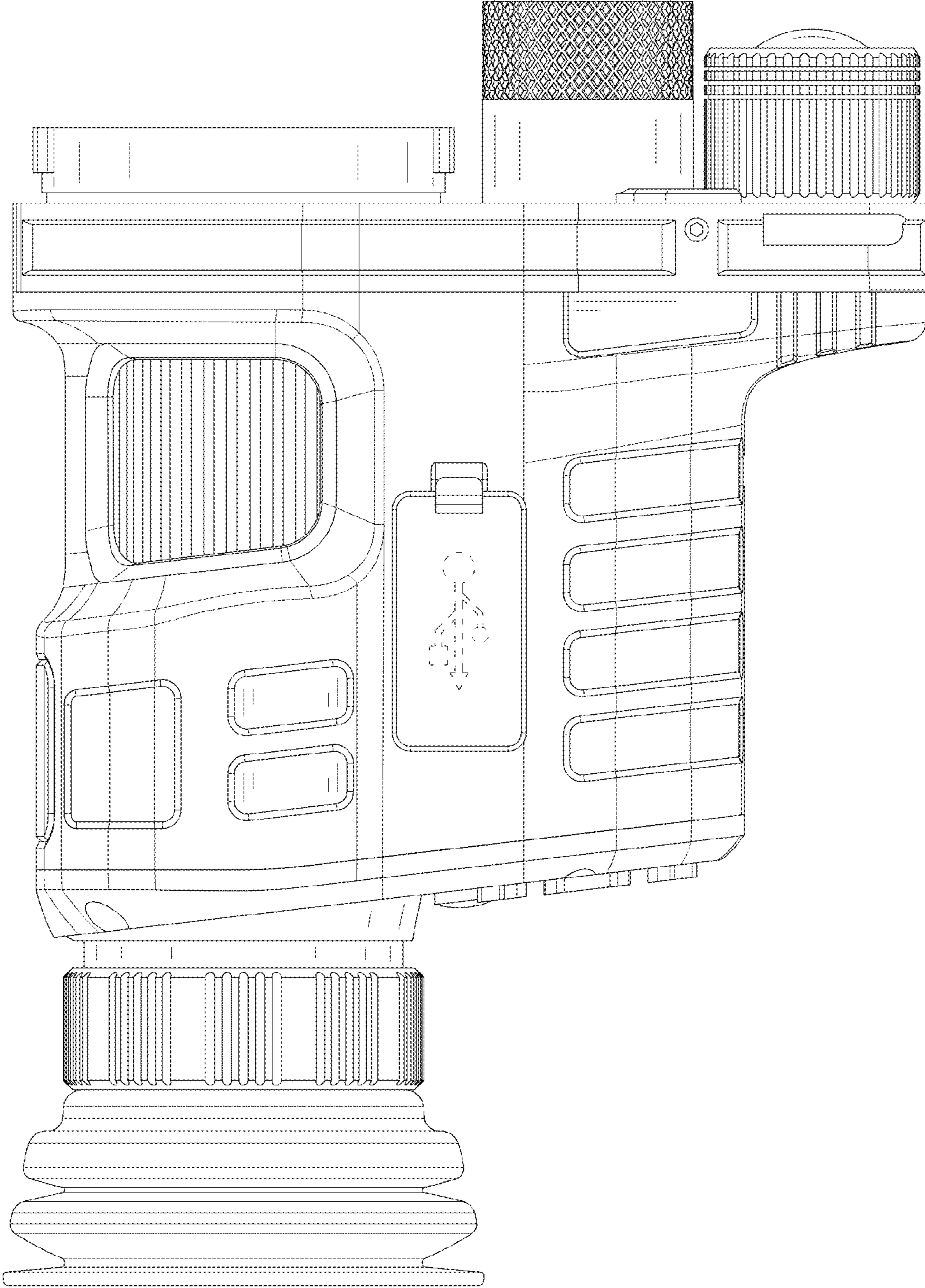


FIG. 3

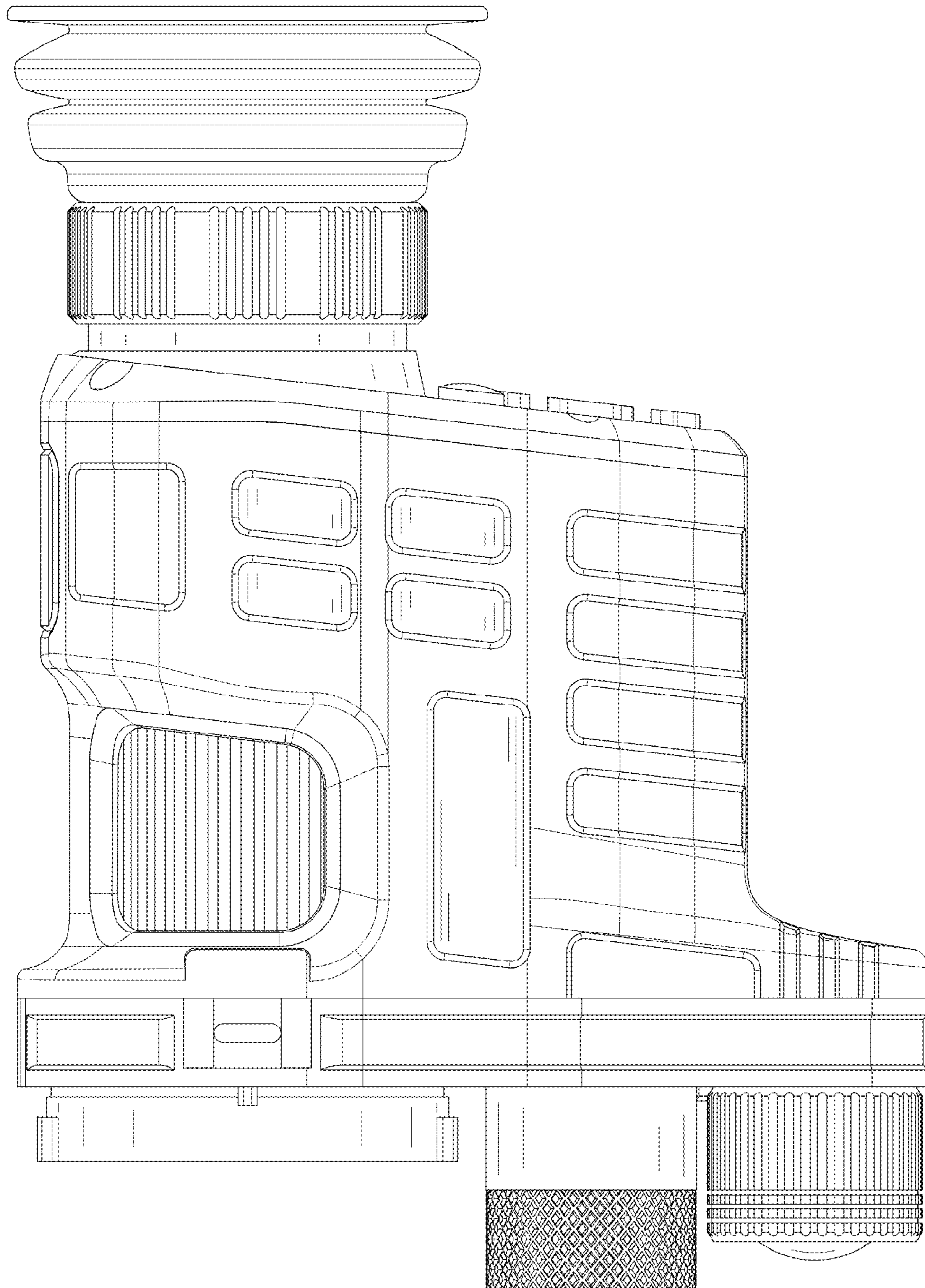


FIG. 4

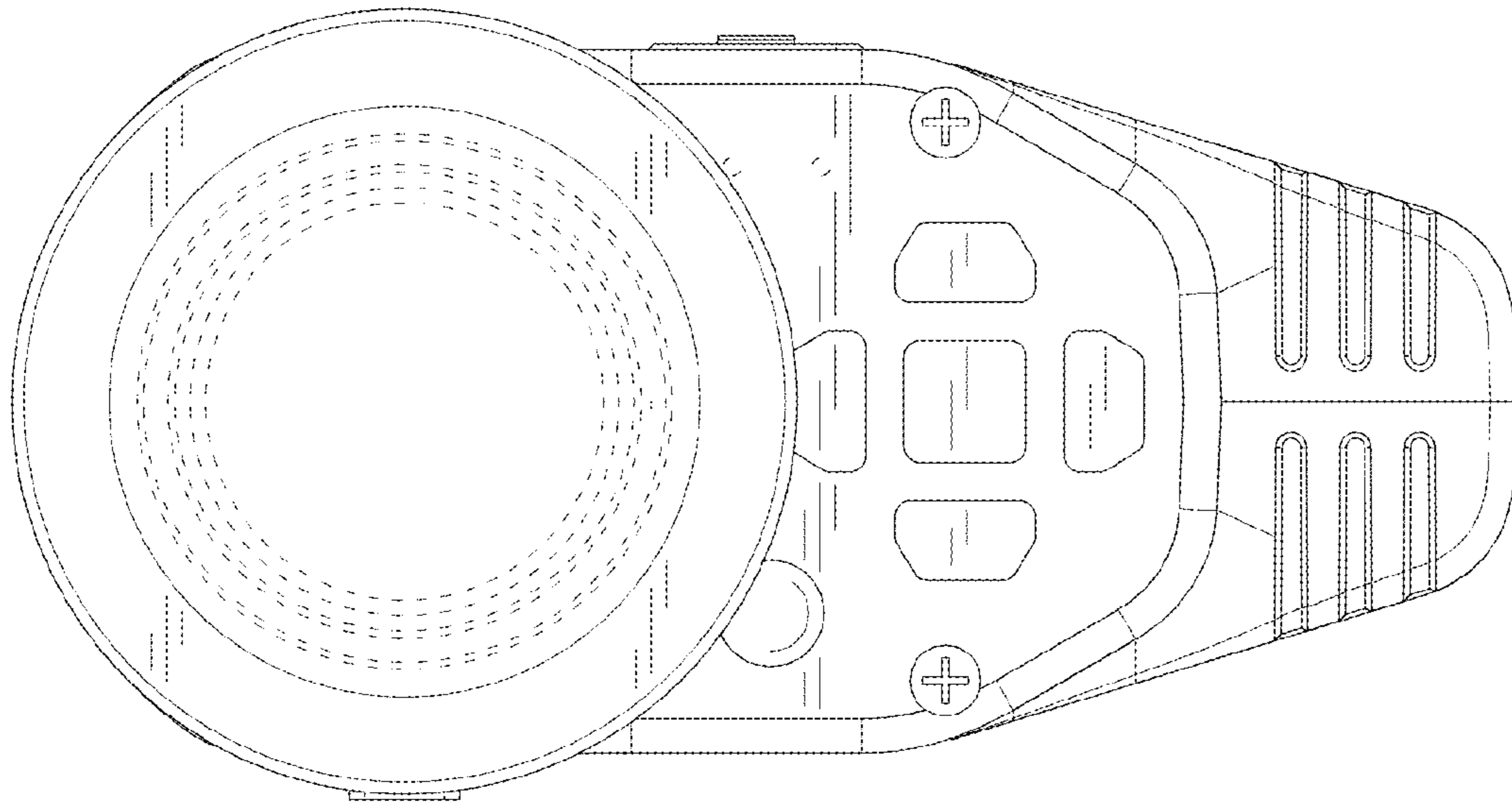


FIG. 5

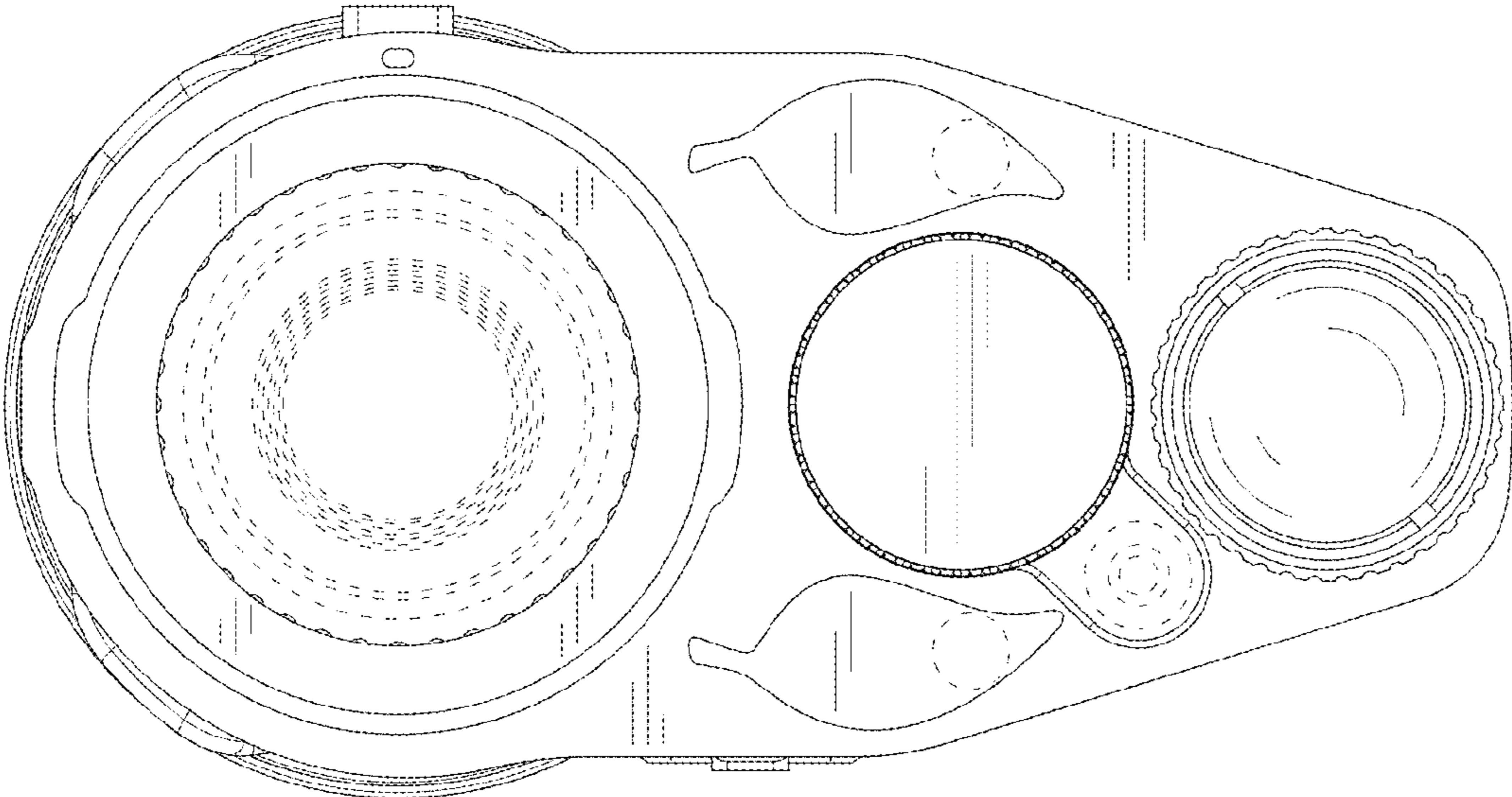


FIG. 6

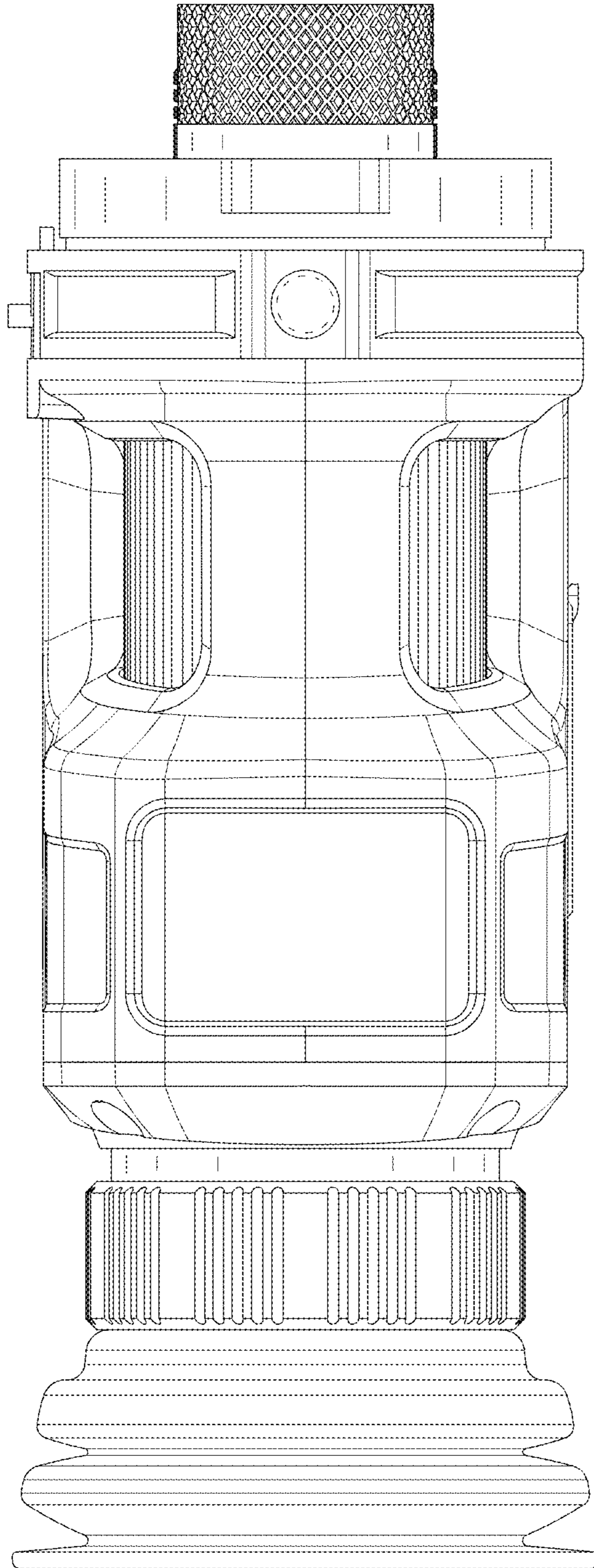


FIG. 7

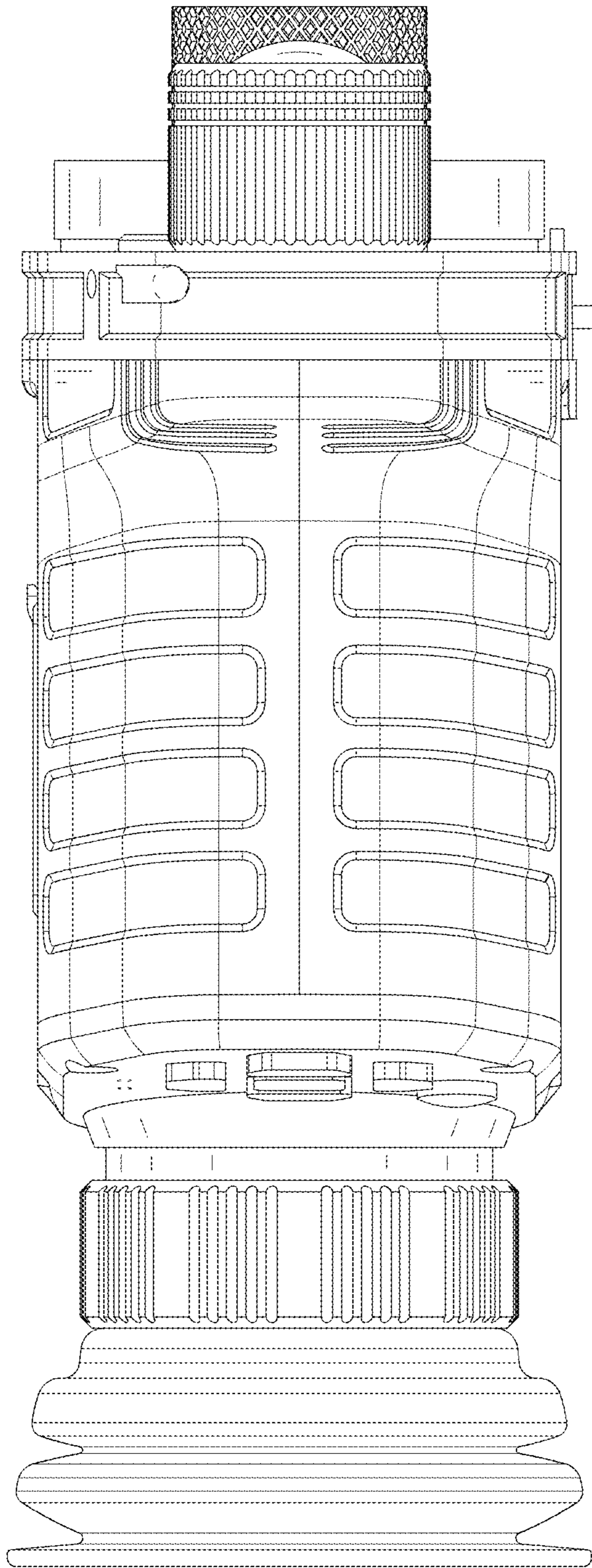


FIG. 8

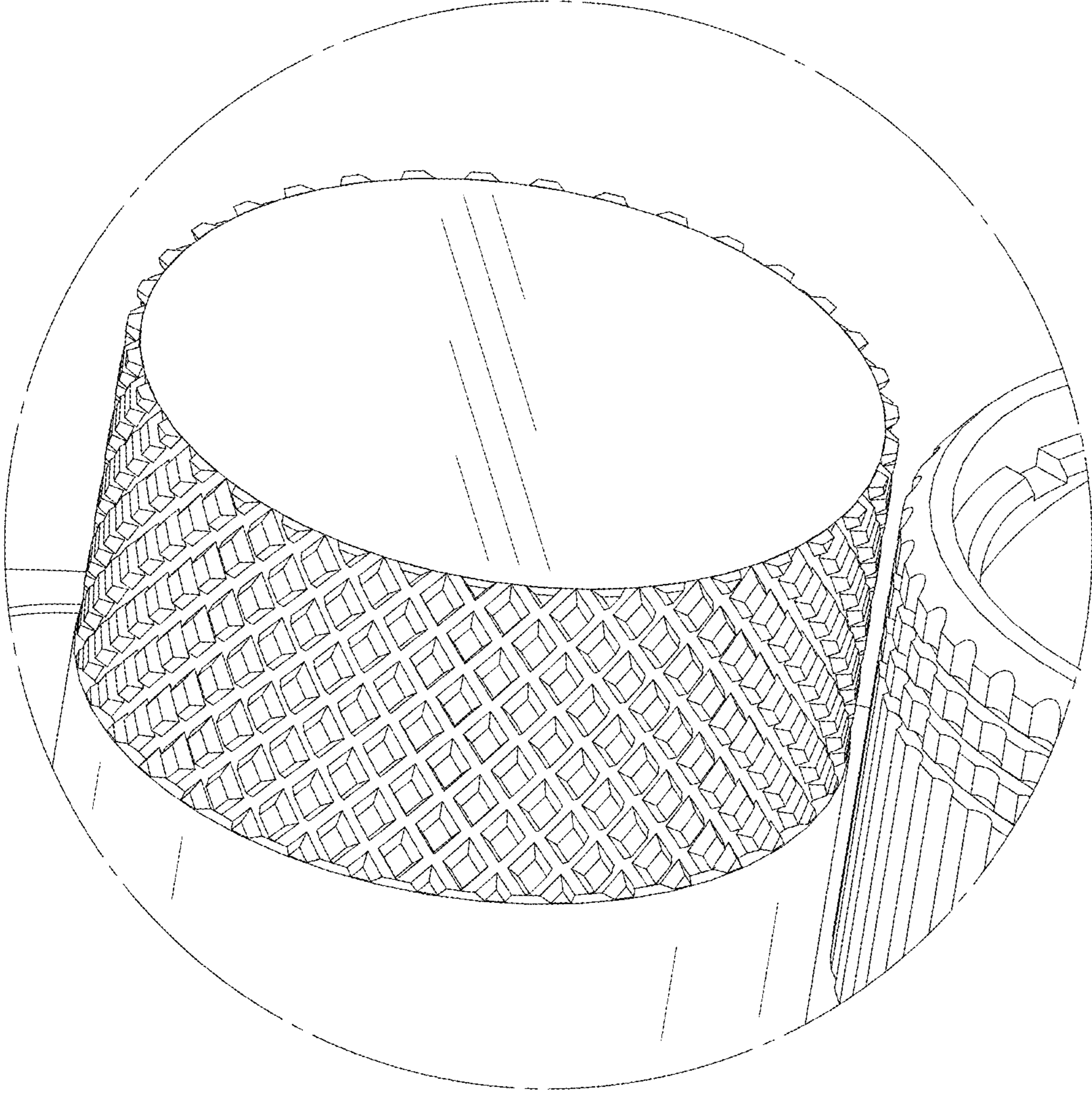


FIG. 9