



US00D982638S

(12) **United States Design Patent**  
**Luo et al.**

(10) **Patent No.:** **US D982,638 S**

(45) **Date of Patent:** **\*\* Apr. 4, 2023**

(54) **HARMONIC ACTUATOR**

(71) Applicant: **CloudMinds Robotics Co., Ltd.**,  
Shanghai (CN)

(72) Inventors: **Cheng Luo**, Shanghai (CN); **Wenshan Deng**, Shanghai (CN); **Boyu Cui**,  
Shanghai (CN)

(\*\*) Term: **15 Years**

(21) Appl. No.: **35/514,709**

(22) Filed: **Jun. 30, 2022**

(80) **Hague Agreement Data**

Int. Filing Date: **Jun. 30, 2022**

Int. Reg. No.: **DM/222003**

Int. Reg. Date: **Jun. 30, 2022**

Int. Reg. Pub. Date: **Jul. 15, 2022**

(30) **Foreign Application Priority Data**

Dec. 30, 2021 (CN) ..... 202130877359.8

(51) **LOC (14) Cl.** ..... **15-99**

(52) **U.S. Cl.**  
USPC ..... **D15/199**

(58) **Field of Classification Search**

USPC ..... D15/7, 9, 138, 148, 149, 199; D23/223

CPC .. F16H 49/001; F16H 2049/003; H02K 7/116

See application file for complete search history.

(56) **References Cited**

**U.S. PATENT DOCUMENTS**

D288,934 S *	3/1987	Brown	.....	D15/148
D329,441 S *	9/1992	Yee	.....	D15/138
D490,819 S *	6/2004	Wahlberg	.....	D15/7
D505,961 S *	6/2005	Chu	.....	D15/9
D506,763 S *	6/2005	Chu	.....	D15/9
D522,029 S *	5/2006	Moune	.....	D15/199

D522,548 S *	6/2006	Moune	.....	D15/199
D571,383 S *	6/2008	Ota	.....	D15/138
D571,831 S *	6/2008	Ota	.....	D15/138
D571,832 S *	6/2008	Ota	.....	D15/138
D571,833 S *	6/2008	Ota	.....	D15/138
D582,949 S *	12/2008	Yamashita	.....	D15/138
D583,394 S *	12/2008	Ota	.....	D15/138
D583,395 S *	12/2008	Ueda	.....	D15/138
D631,066 S *	1/2011	Itadani	.....	D15/9
D685,000 S *	6/2013	Chen	.....	D15/9
D685,001 S *	6/2013	Chen	.....	D15/9
D685,002 S *	6/2013	Chen	.....	D15/9

(Continued)

**OTHER PUBLICATIONS**

“Custom Harmonic solutions” [online]. Cone Drive Harmonic Solutions. [Retrieved on Dec. 8, 2022]. Retrieved from the Internet: <<https://conedrive.com/products/harmonic-2/harmonic-2-2-4/>>.\*

(Continued)

*Primary Examiner* — Mojtaba Tehrani

(57) **CLAIM**

The ornamental design for a harmonic actuator, as shown and described.

**DESCRIPTION**

1. Harmonic actuator

1.1 : Perspective

1.2 : Perspective

1.3 : Front

1.4 : Back

1.5 : Left

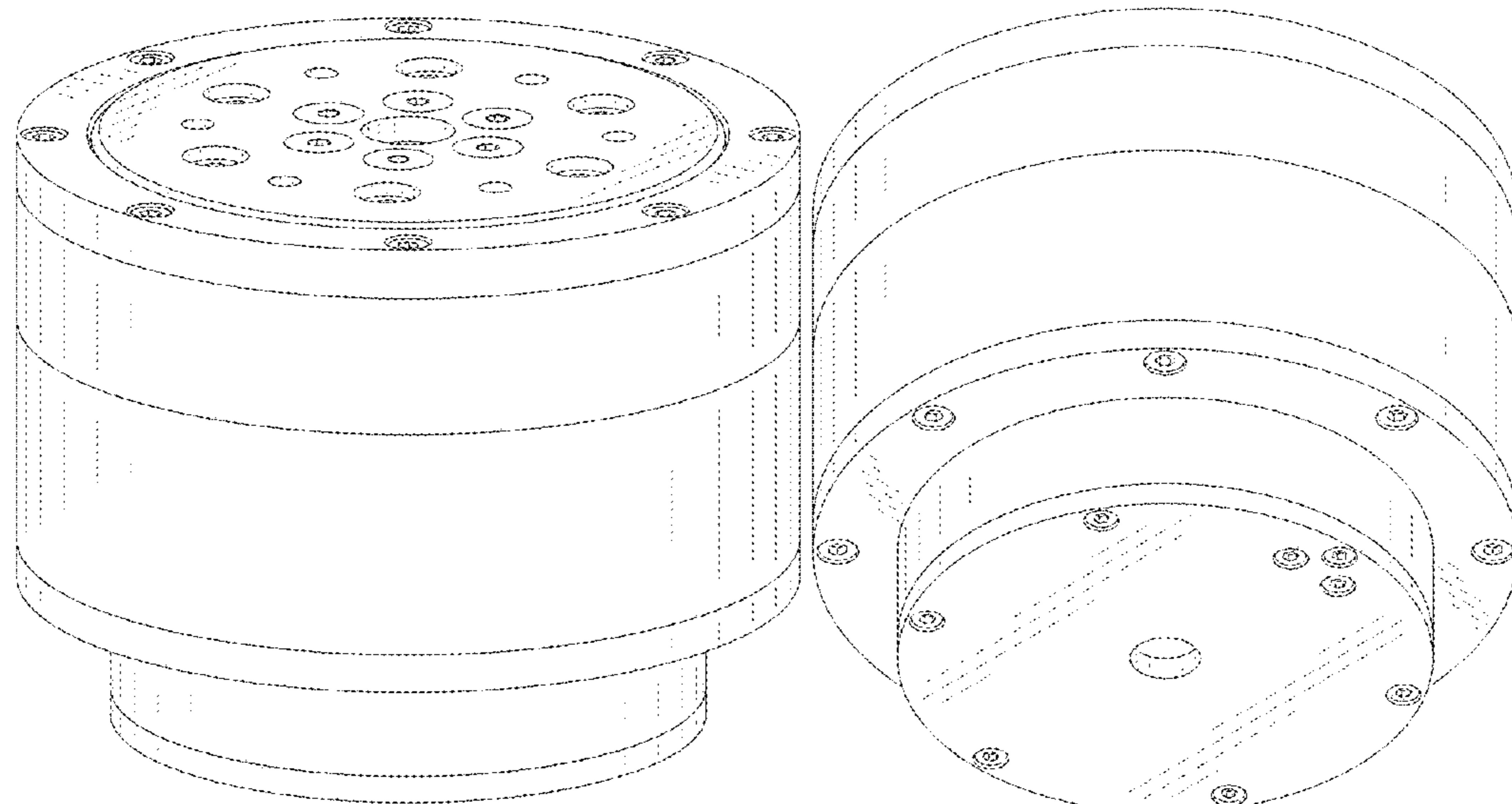
1.6 : Right

1.7 : Top

1.8 : Bottom

A harmonic actuator is used in many fields such as bionic robots, industrial robots, conveying robots, etc.; The broken lines in the drawings depict portions of the actuator for the caster that form no part of the claimed design.

**1 Claim, 8 Drawing Sheets**



(56)

References Cited

U.S. PATENT DOCUMENTS

D685,003 S \* 6/2013 Chen ..... D15/9  
 D685,004 S \* 6/2013 Chen ..... D15/9  
 D700,215 S \* 2/2014 Ueda ..... D15/9  
 D711,445 S \* 8/2014 Creager ..... D15/148  
 D714,836 S \* 10/2014 Chen ..... D15/9  
 D726,877 S \* 4/2015 Trent ..... D23/233  
 D781,943 S \* 3/2017 Ries ..... D15/199  
 D789,432 S \* 6/2017 Tokuda ..... D15/148  
 D790,616 S \* 6/2017 Tokuda ..... D15/148  
 D790,617 S \* 6/2017 Tokuda ..... D15/148  
 D816,122 S \* 4/2018 Mish ..... D15/9  
 D851,693 S \* 6/2019 Wood ..... D15/139  
 D862,539 S \* 10/2019 Wood ..... D15/138  
 D884,746 S \* 5/2020 Tsuji ..... F16J 15/128  
 D895,704 S \* 9/2020 Johansen ..... D15/199  
 D895,705 S \* 9/2020 Johansen ..... D15/199  
 D895,706 S \* 9/2020 Johansen ..... D15/199  
 D937,332 S \* 11/2021 Kimura ..... D15/149  
 D940,205 S \* 1/2022 Bulant ..... F04D 7/00  
 D956,839 S \* 7/2022 Yamamoto ..... D15/149  
 D967,219 S \* 10/2022 Nakayama ..... D15/199

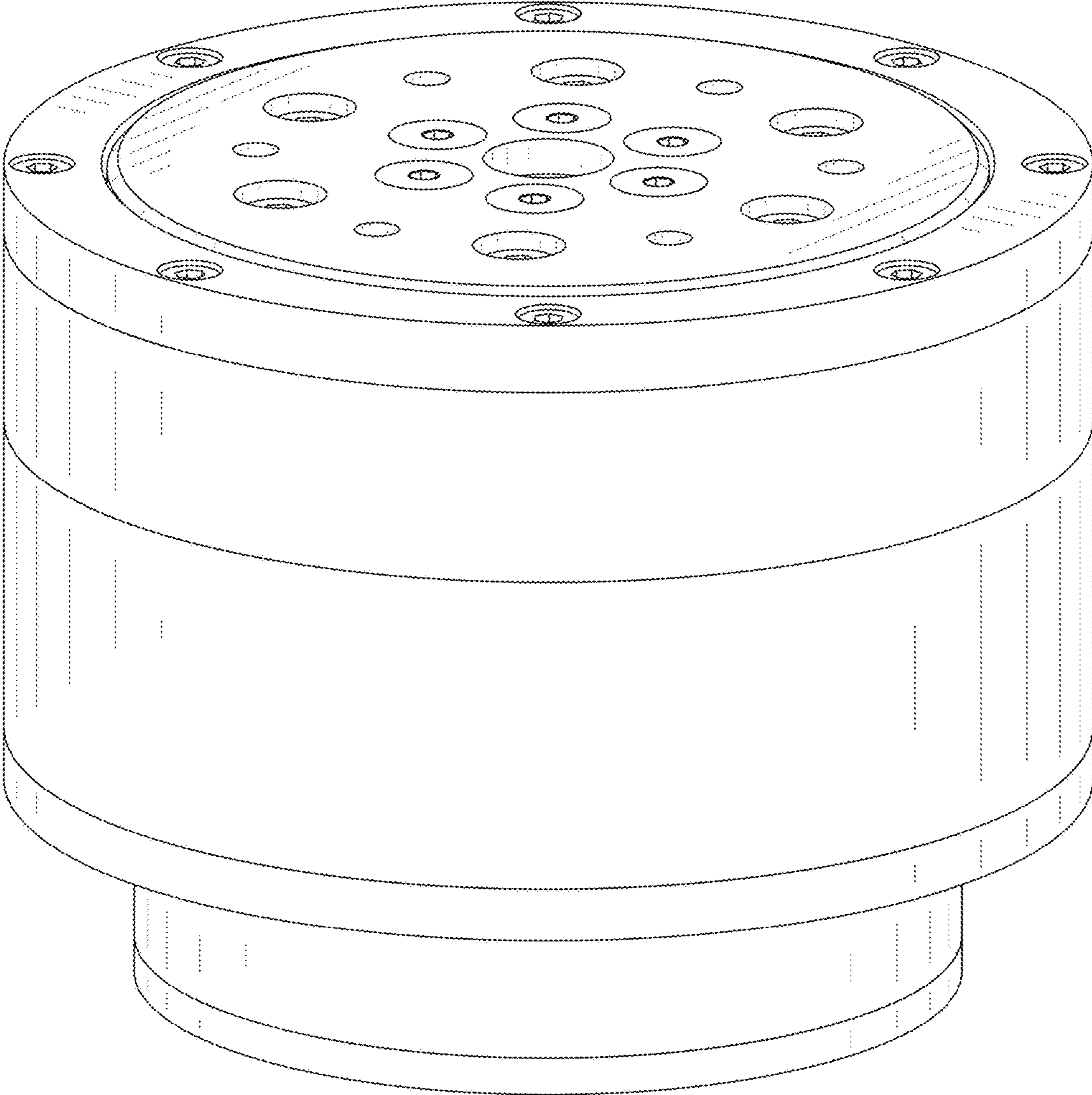
2013/0247716 A1\* 9/2013 Takahashi ..... F16H 49/001  
 74/640  
 2015/0240929 A1\* 8/2015 Kobayashi ..... F16H 49/001  
 74/413  
 2015/0316134 A1\* 11/2015 Hoshina ..... F16H 49/001  
 74/640  
 2016/0226338 A1\* 8/2016 Bugge ..... F42B 10/64  
 2018/0180153 A1\* 6/2018 Lin ..... G01L 3/108  
 2018/0372205 A1\* 12/2018 Preuss ..... F16H 49/001  
 2019/0063578 A1\* 2/2019 Bloxham ..... H02K 7/116  
 2020/0256445 A1\* 8/2020 Ikeguchi ..... F16H 49/001  
 2021/0164555 A1\* 6/2021 Noda ..... F16C 19/06

OTHER PUBLICATIONS

“Harmonic Drive Servo Actuators | Harmonic Drive SE” [online]. Harmonic Drive SE. [Published on Apr. 5, 2014]. Retrieved from the Internet: <<https://www.youtube.com/watch?v=kZNHwd0nL3I>>.\*  
 “Innfos Displays Smart Compliant Actuator Series at 2019 World Robotics Conference” [online]. Businesswire. [Published on Aug. 29, 2019]. Retrieved from the Internet: <<https://www.businesswire.com/news/home/20190829005301/en/INNFOS-Displays-Smart-Compliant-Actuator-Series-at-2019-World-Robotics-Conference>>.\*

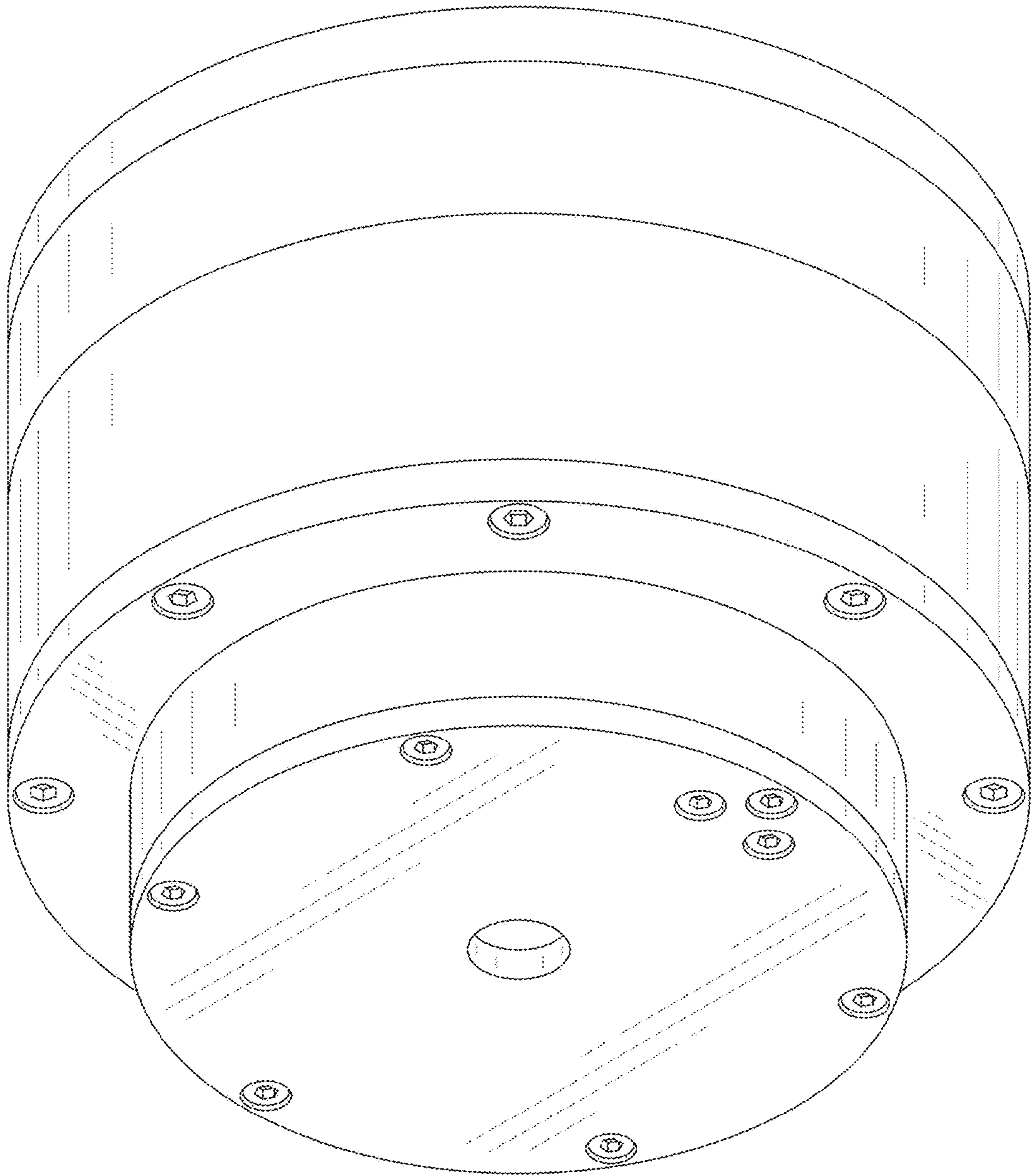
\* cited by examiner

1.1

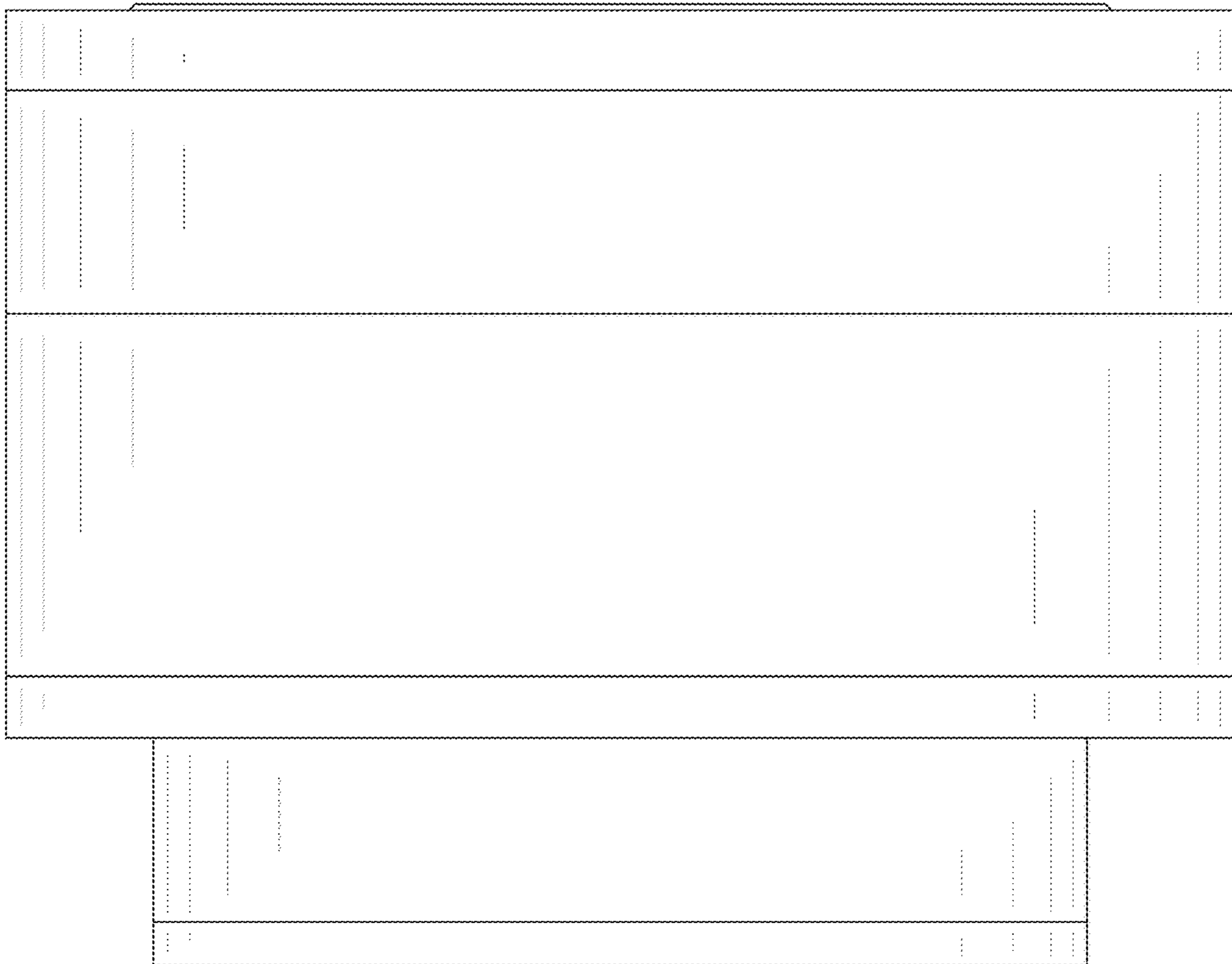




1.2



1.3



1.4



1.5

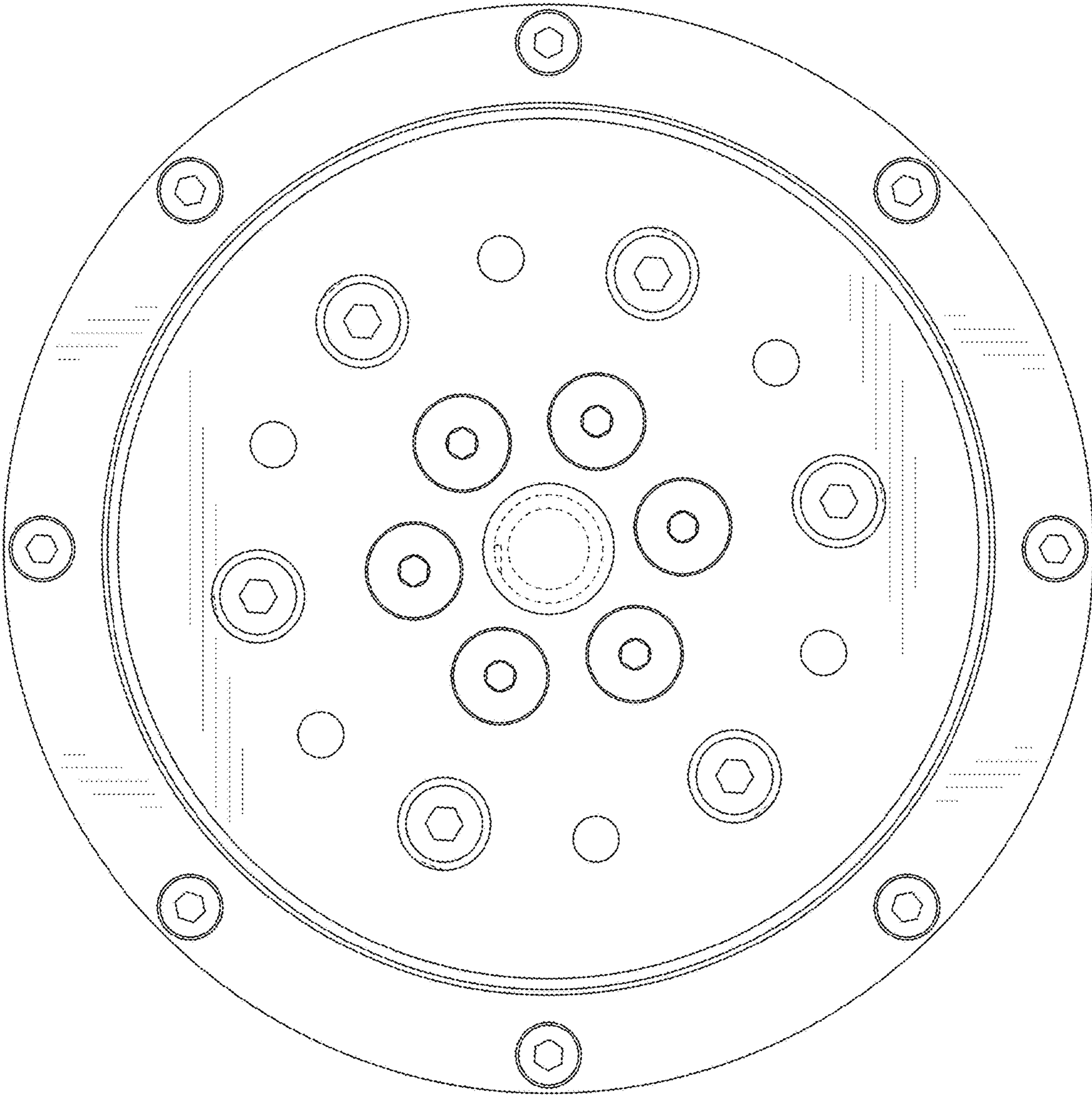


1.6





1.7



1.8

