



US00D982635S

(12) **United States Design Patent** (10) **Patent No.:** **US D982,635 S**
Kobayashi et al. (45) **Date of Patent:** **** Apr. 4, 2023**

(54) **DELIVERY ROBOT**
(71) Applicant: **TOYOTA JIDOSHA KABUSHIKI KAISHA**, Toyota (JP)
(72) Inventors: **Hiroyuki Kobayashi**, Mitaka (JP); **Zixun Mei**, Edogawa-ku (JP); **Takashi Nishimura**, Chofu (JP)
(73) Assignee: **Toyota Jidosha Kabushiki Kaisha**, Toyota (JP)

D826,302 S * 8/2018 Tsukamoto D15/199
10,041,504 B2 * 8/2018 Stewart F04D 29/646
D834,080 S * 11/2018 Tsukamoto D15/199
D883,354 S * 5/2020 Jafarzadeh D15/199
D888,220 S * 6/2020 Peet D23/370
D888,928 S * 6/2020 Hodgson D23/370
D917,592 S * 4/2021 Mei D15/199
2013/0028763 A1 * 1/2013 Staniforth F04D 29/705
417/423.5
2015/0084214 A1 * 3/2015 Wilson F04D 25/08
261/32
2018/0194411 A1 * 7/2018 Liivik B60G 5/01

(**) Term: **15 Years**

(21) Appl. No.: **29/801,682**

(22) Filed: **Jul. 30, 2021**

(30) **Foreign Application Priority Data**

Feb. 3, 2021 (JP) 2021-002399 D

(51) **LOC (14) Cl.** **15-99**

(52) **U.S. Cl.**
USPC **D15/199**

(58) **Field of Classification Search**
USPC D7/605, 606, 629; D12/14, 86, 88, 90,
D12/91; D15/199, 578; D34/34
CPC B25J 5/007; B25J 11/008; B60G 2300/07;
B66F 9/063; G05D 1/0238; G05D
1/0214; G06Q 10/0832; Y10S 901/00;
Y10S 901/01; Y10S 901/08
See application file for complete search history.

(56) **References Cited**

U.S. PATENT DOCUMENTS

D165,195 S * 11/1951 Schlumbohm 296/181.1
D401,407 S * 11/1998 Bro D3/271.12
D598,532 S * 8/2009 Dyson F04D 25/08
D23/370
D745,144 S * 12/2015 Aylmer D24/128
D821,265 S * 6/2018 Mäkelä D3/271.12
D822,736 S * 7/2018 Kato D15/199

OTHER PUBLICATIONS

Toyota Global Newsroom: <https://global.toyota.jp/newsroom/toyota/30070346.html>; Toyota; Toyota e-4me; available on at least Oct. 23, 2019.
IT media News; <https://www.itmedia.co.jp/news/articles/2012/15/news098.html>; Amazon Zoox; Zoox robotaxi; available on at least Dec. 15, 2020.

* cited by examiner

Primary Examiner — Patricia A Palasik
(74) *Attorney, Agent, or Firm* — Finnegan, Henderson, Farabow, Garrett & Dunner, LLP

(57) **CLAIM**

The ornamental design for a delivery robot, as shown and described.

DESCRIPTION

FIG. 1 is a front perspective view for a delivery robot showing our new design;
FIG. 2 is a rear perspective view thereof;
FIG. 3 is a front view thereof;
FIG. 4 is a rear view thereof;
FIG. 5 is a right side view thereof
FIG. 6 is a left side view thereof;
FIG. 7 is a top view thereof; and,
FIG. 8 is a bottom view thereof.

1 Claim, 8 Drawing Sheets

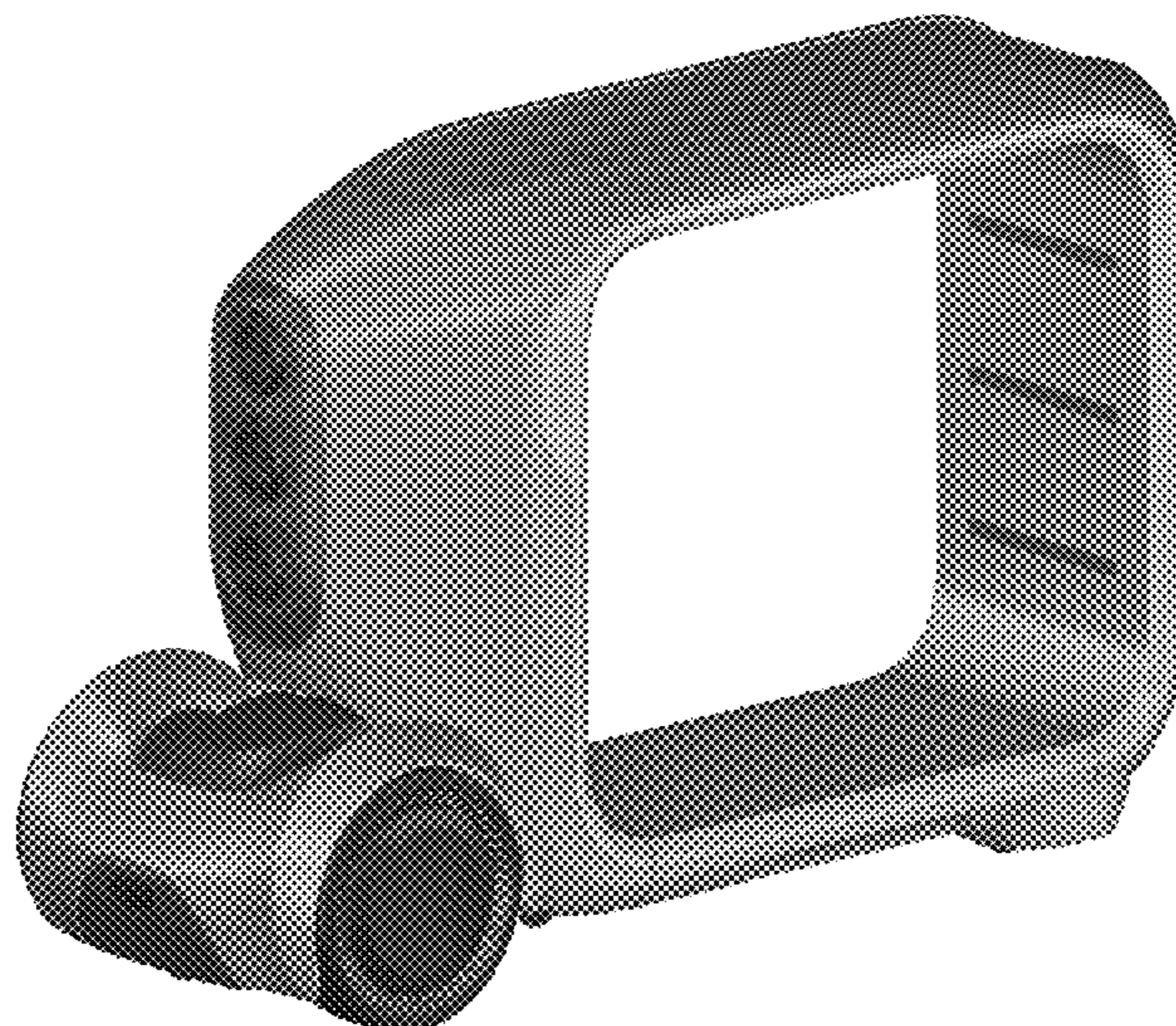




FIG. 1



FIG. 2

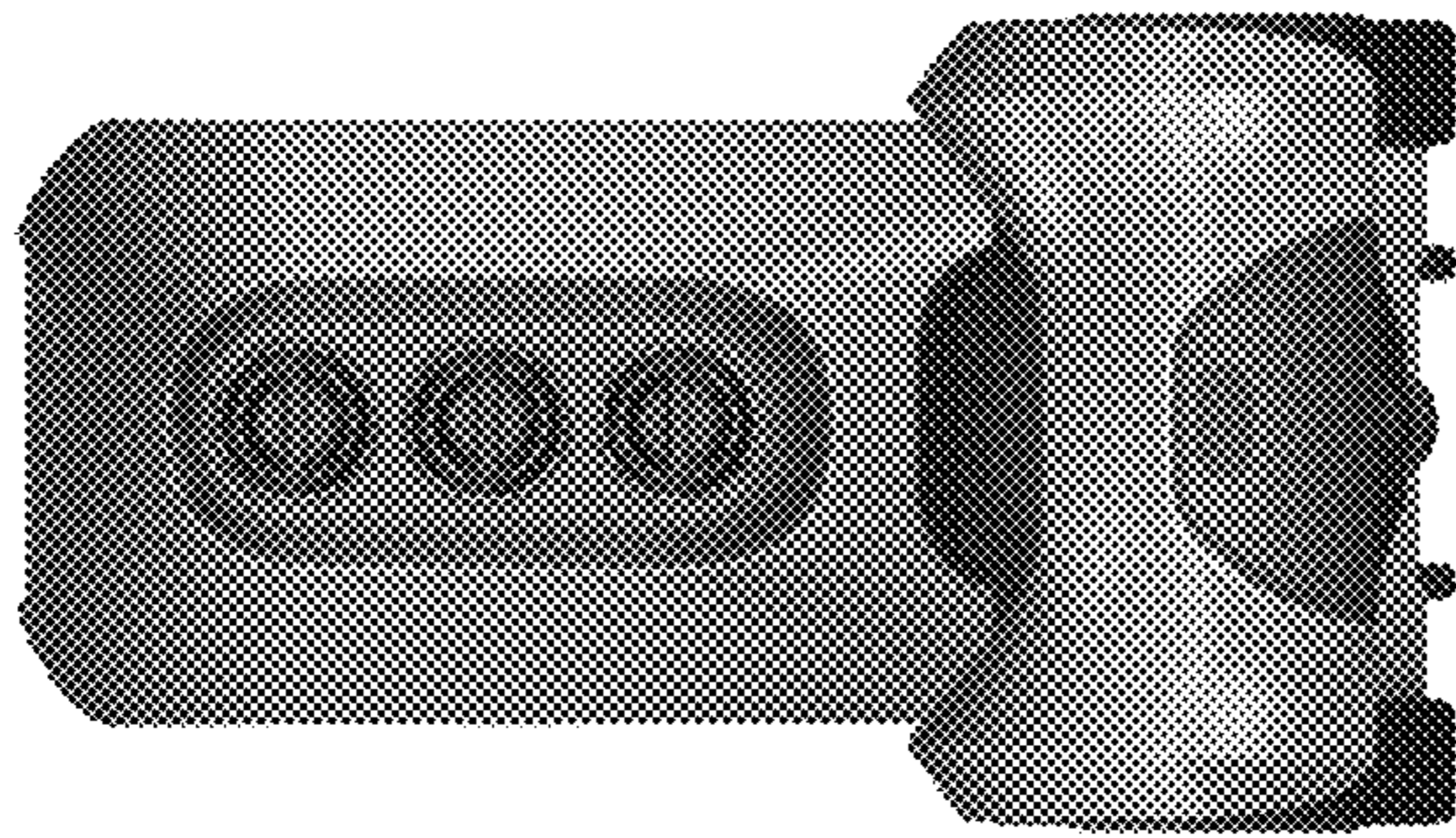


FIG. 3

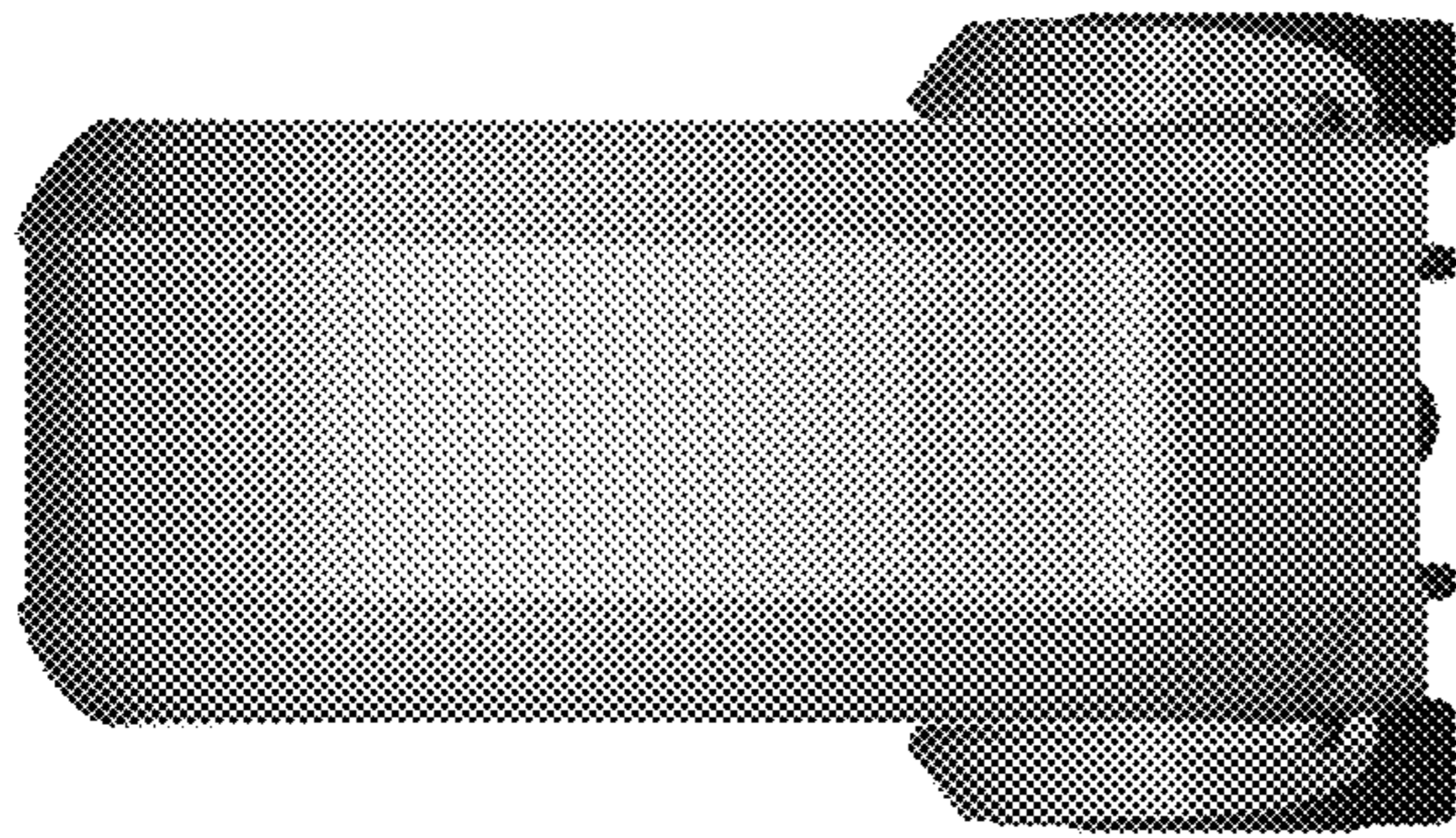


FIG. 4

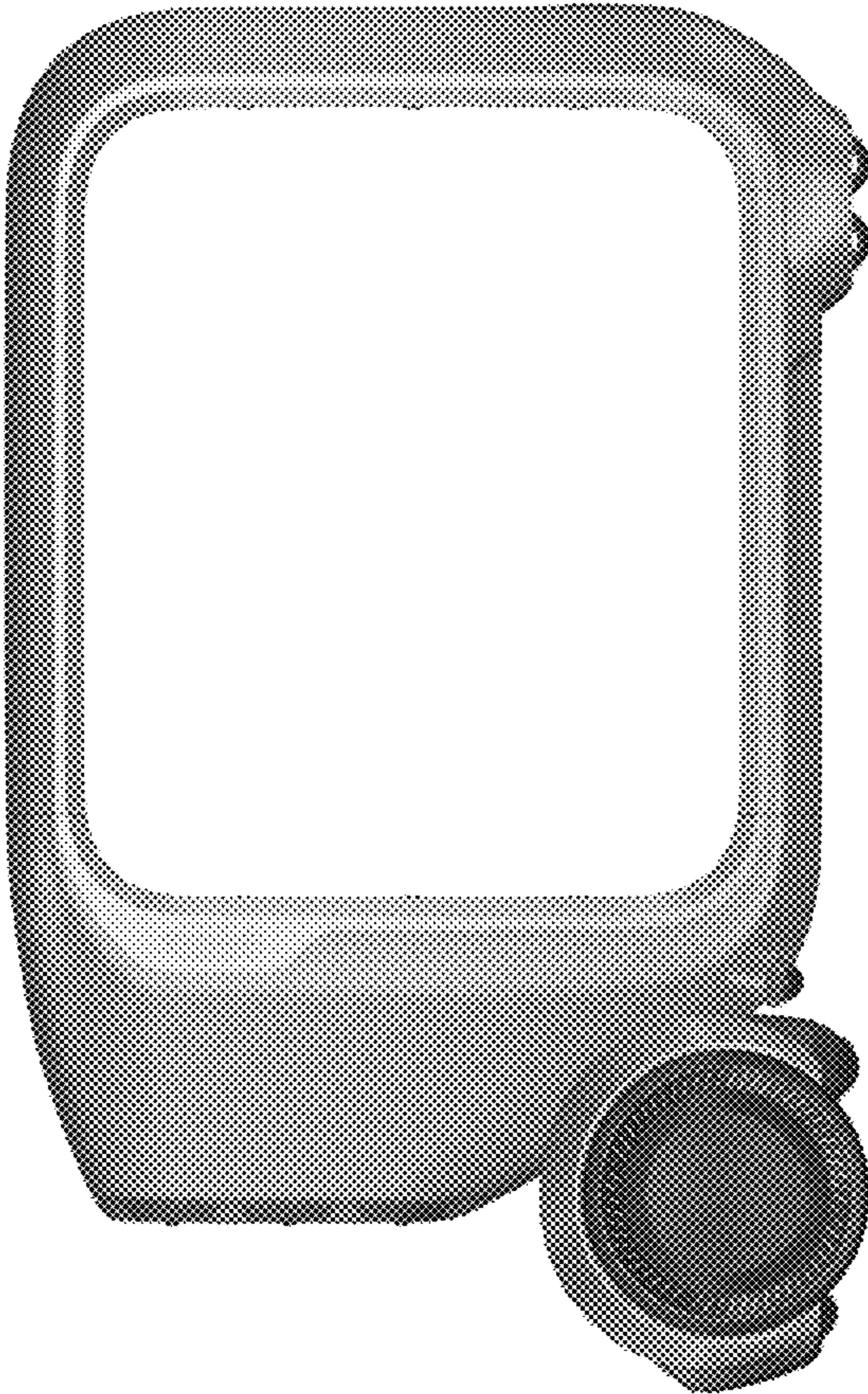


FIG. 5

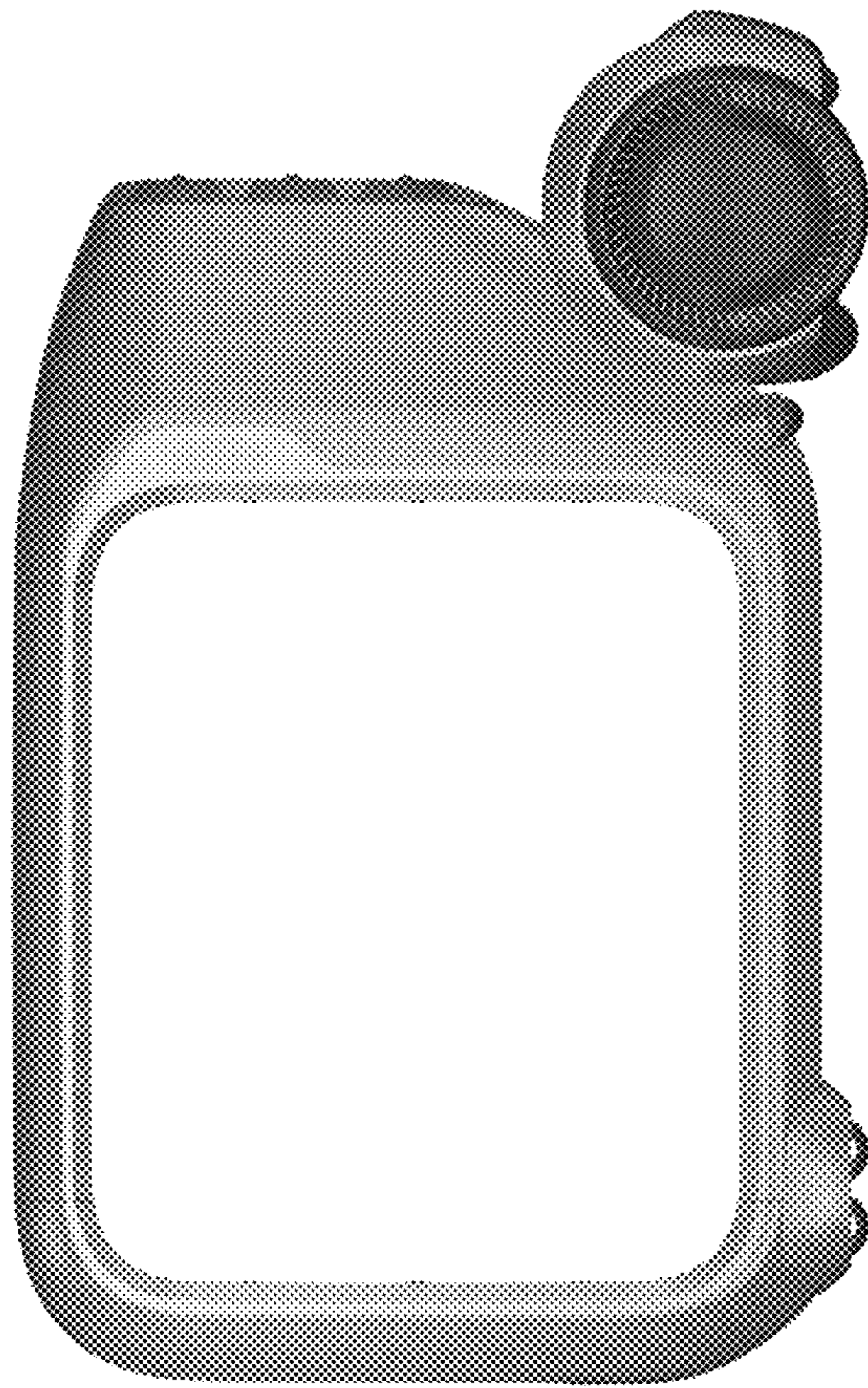


FIG. 6

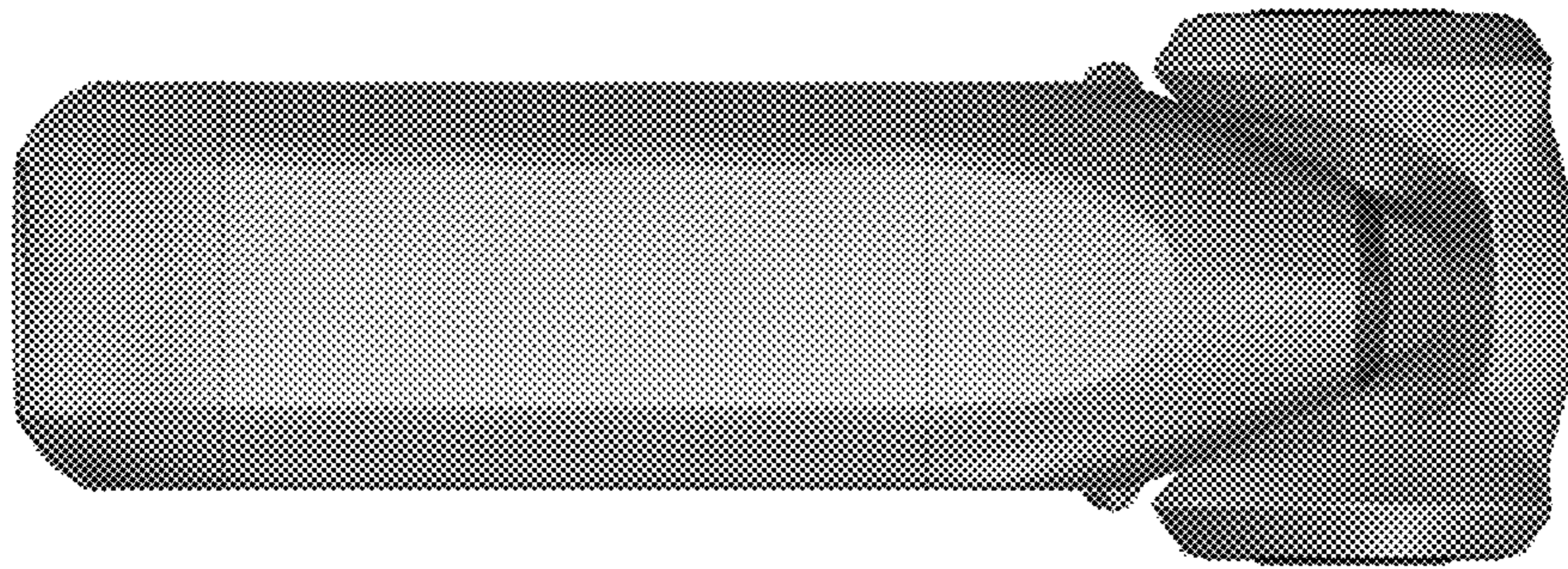


FIG. 7

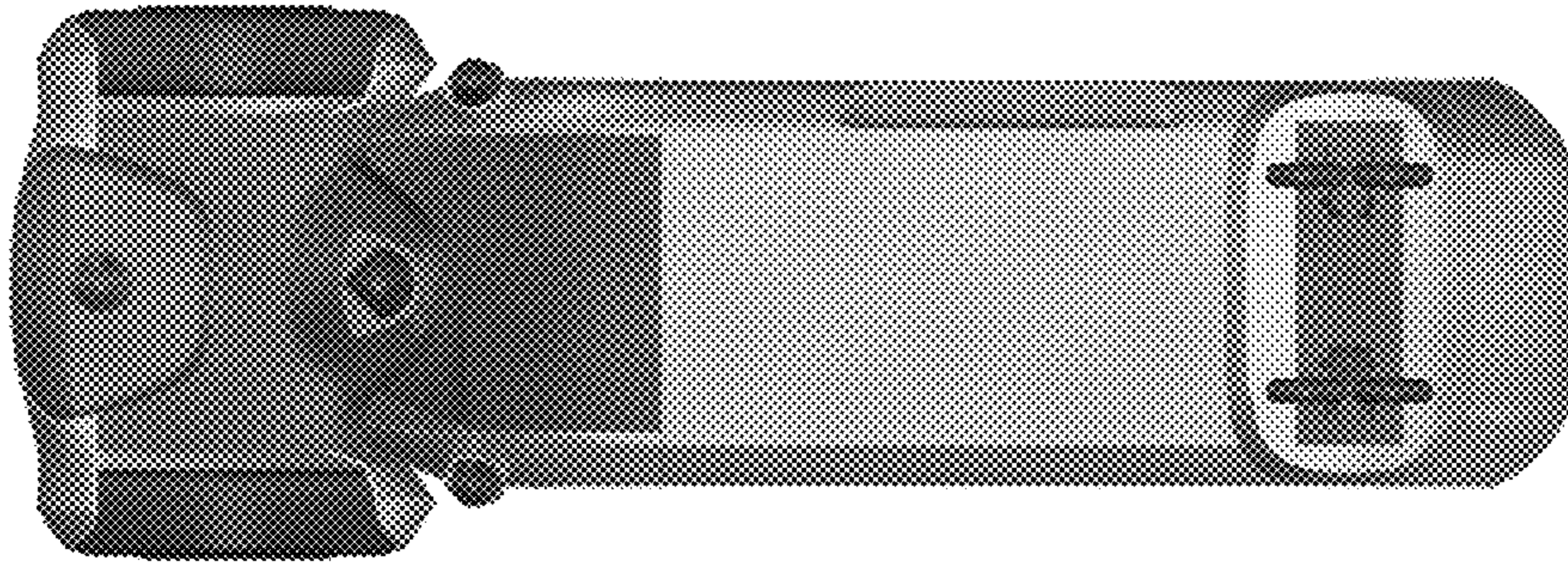


FIG. 8