



US00D982634S

(12) **United States Design Patent** (10) **Patent No.:** **US D982,634 S**
Bichler et al. (45) **Date of Patent:** **** Apr. 4, 2023**

(54) **WELDING MACHINE**

(71) Applicant: **FRONIUS INTERNATIONAL GMBH**, Pettenbach (AT)

(72) Inventors: **Thomas Bichler**, Pettenbach (AT);
Thomas Schabetsberger, Pettenbach (AT)

(73) Assignee: **Fronius International GmbH**, Pettenbach (AT)

(**) Term: **15 Years**

(21) Appl. No.: **29/768,006**

(22) Filed: **Jan. 27, 2021**

(30) **Foreign Application Priority Data**

Jul. 28, 2020 (EM) 008053680-0001
Jul. 28, 2020 (EM) 008053680-0002

(51) **LOC (14) Cl.** **15-09**

(52) **U.S. Cl.**
USPC **D15/144**

(58) **Field of Classification Search**
USPC D8/29.1, 30, 107; D15/144, 144.1, 144.2
CPC B23K 9/32; B23K 9/028; B23K 9/1006;
B23K 9/1735; B23K 11/28; B23K 37/053
See application file for complete search history.

6,489,591 B1 * 12/2002 Achtner B23K 9/32
219/130.1

D497,163 S * 10/2004 Andre D14/349

D520,038 S * 5/2006 Ljungfeldt D15/144.1

D569,883 S * 5/2008 Wang D15/144

D569,884 S * 5/2008 Shu D15/144

D665,833 S * 8/2012 Raymond D15/144

D827,687 S * 9/2018 Lin D15/144

(Continued)

Primary Examiner — Patricia A Palasik
(74) *Attorney, Agent, or Firm* — Collard & Roe, P.C.

(57) **CLAIM**

The ornamental design for a welding machine, as shown and described.

DESCRIPTION

The patent or application file contains a least one drawing executed in color. Copies of this patent or patent application publication with color drawing(s) will be provided by the Office upon request and payment of the necessary fee.

FIG. 1 is a front, top and left side perspective view of a welding machine, showing our new design;

FIG. 2 is a left side view thereof;

FIG. 3 is a right side view thereof;

FIG. 4 is a top view thereof;

FIG. 5 is a bottom view thereof;

FIG. 6 is a rear view thereof; and

FIG. 7 is a front view thereof

FIG. 8 is a front, top and left side perspective view of another embodiment of the welding machine, with the rear, top and right side view being identical;

FIG. 9 is a left side view thereof;

FIG. 10 is a right side view thereof;

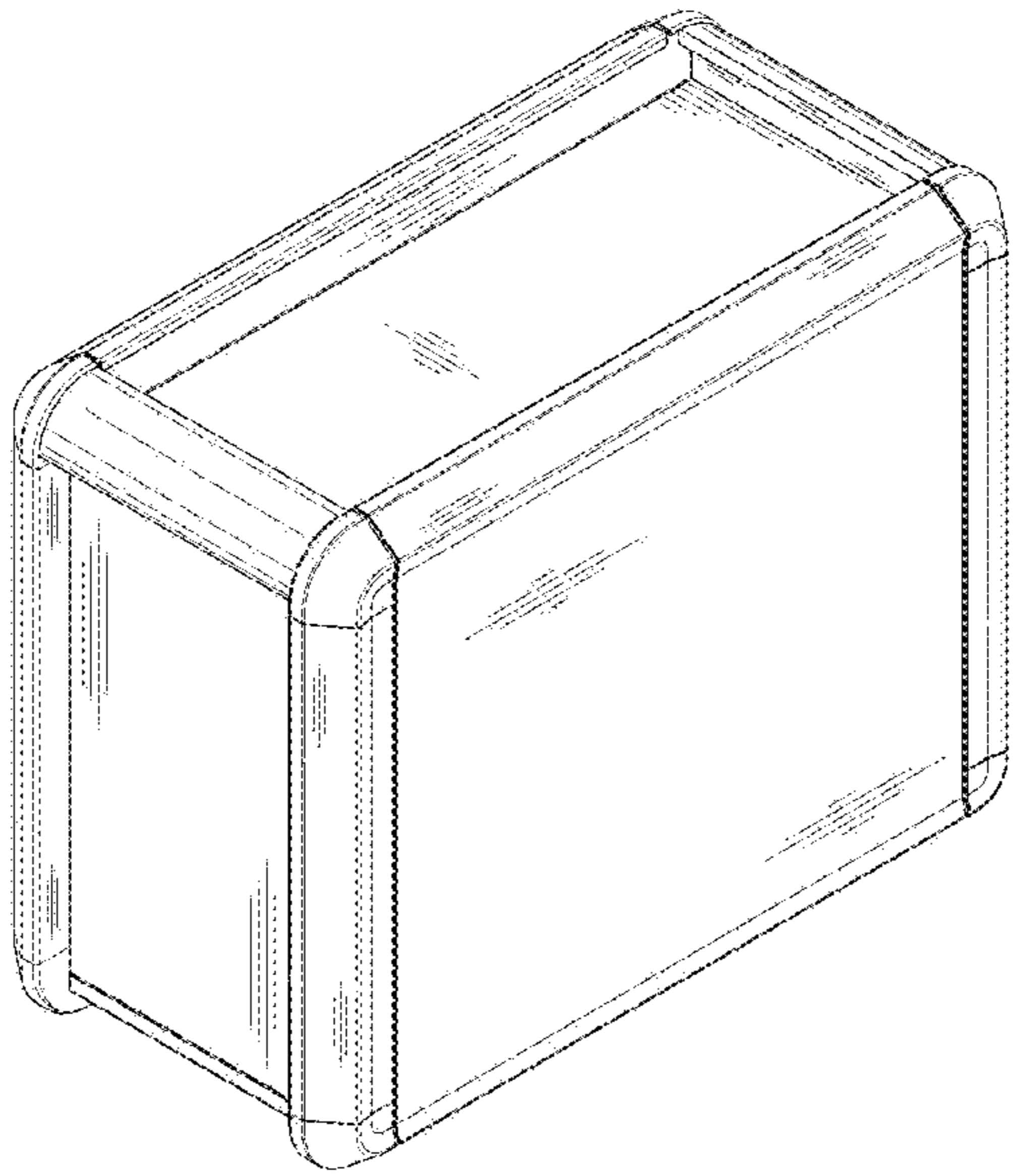
FIG. 11 is a top view thereof;

FIG. 12 is a bottom view thereof;

FIG. 13 is a rear view thereof; and,

FIG. 14 is a front view thereof.

1 Claim, 8 Drawing Sheets
(4 of 8 Drawing Sheet(s) Filed in Color)



(56)

References Cited

U.S. PATENT DOCUMENTS

| | | | | | | |
|--------------|----|---|---------|----------|-------|----------------------|
| D853,457 | S | * | 7/2019 | Lin | | D15/144 |
| D853,458 | S | * | 7/2019 | Lin | | D15/144 |
| D854,593 | S | * | 7/2019 | Shu | | D15/144 |
| D855,092 | S | * | 7/2019 | Shu | | D15/144 |
| D862,545 | S | * | 10/2019 | Lin | | D15/144 |
| D914,071 | S | * | 3/2021 | Dekker | | D15/144 |
| 2006/0274499 | A1 | * | 12/2006 | Andersen | | B23K 9/32 361/688 |
| 2011/0114611 | A1 | * | 5/2011 | Cole | | B23K 9/32 219/136 |

* cited by examiner



FIG. 1

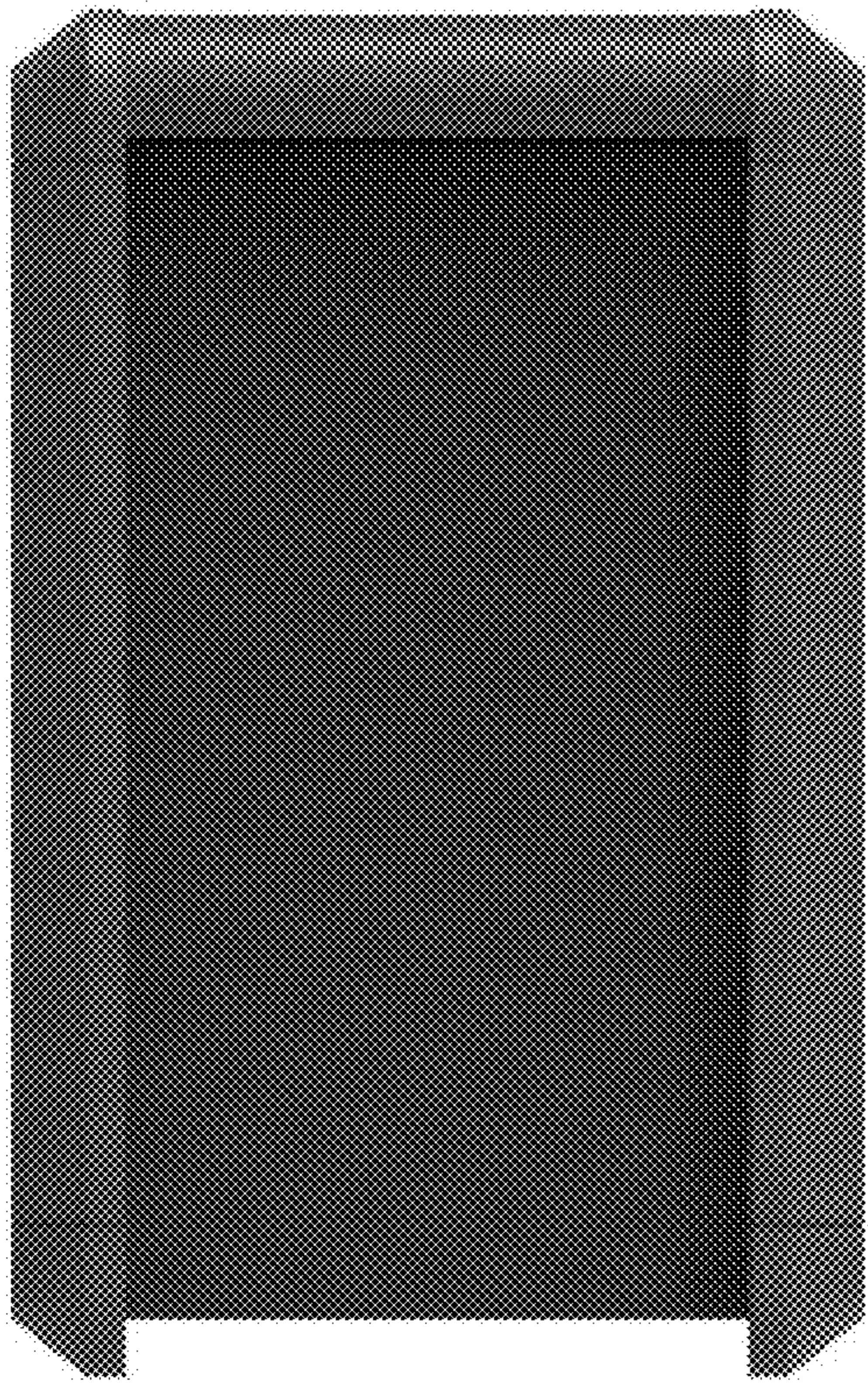


FIG. 2

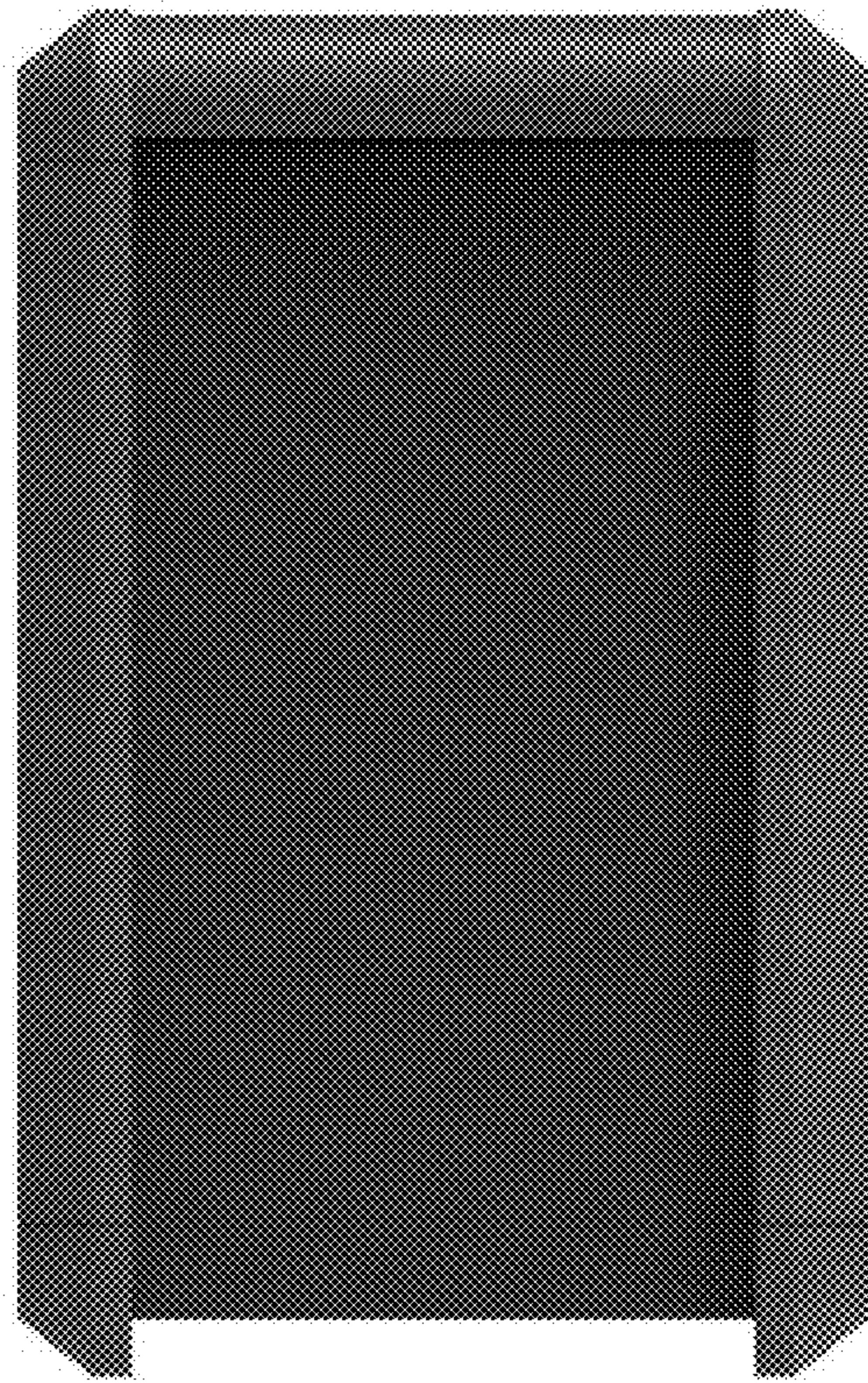


FIG. 3

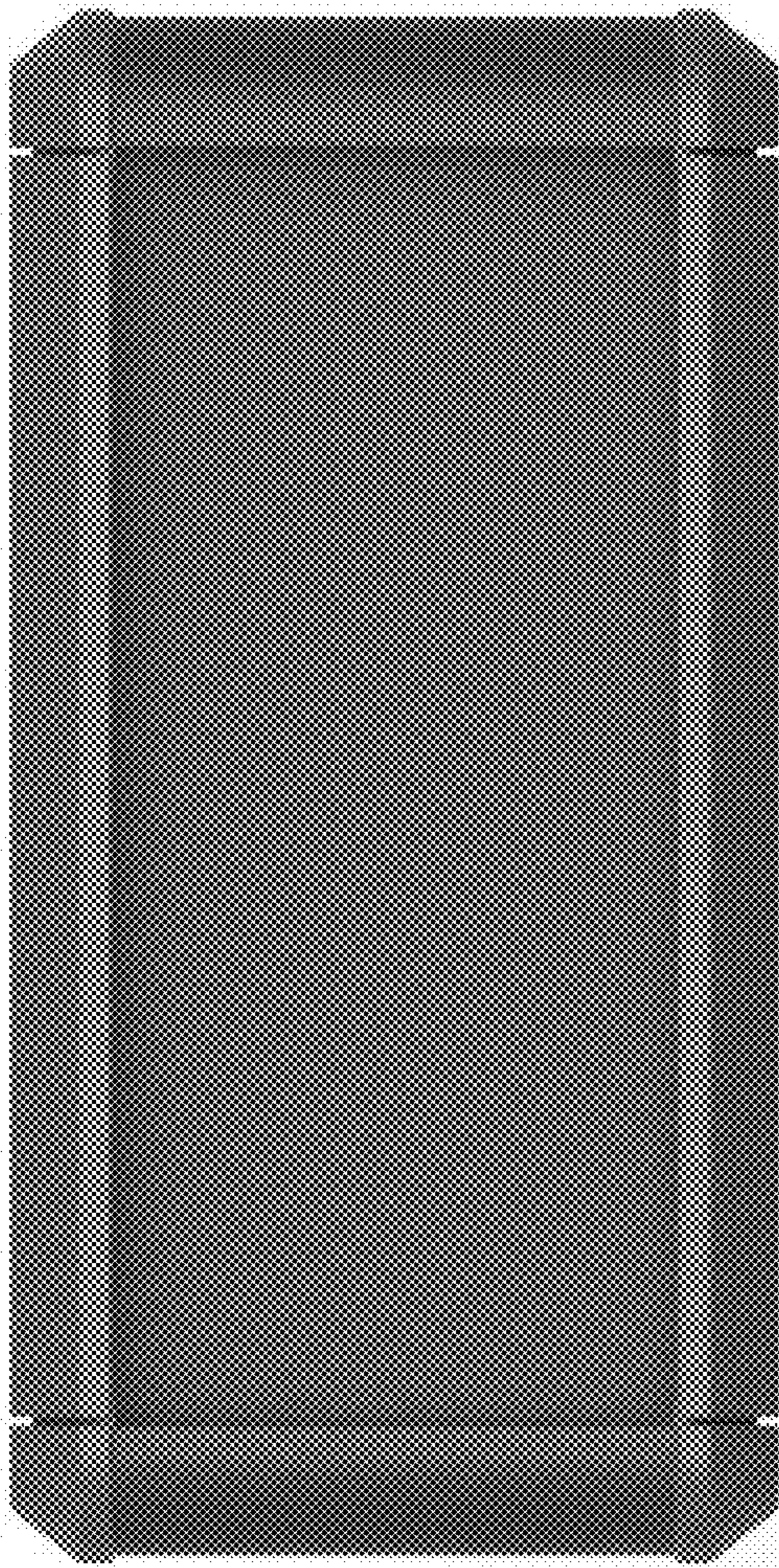


FIG. 4

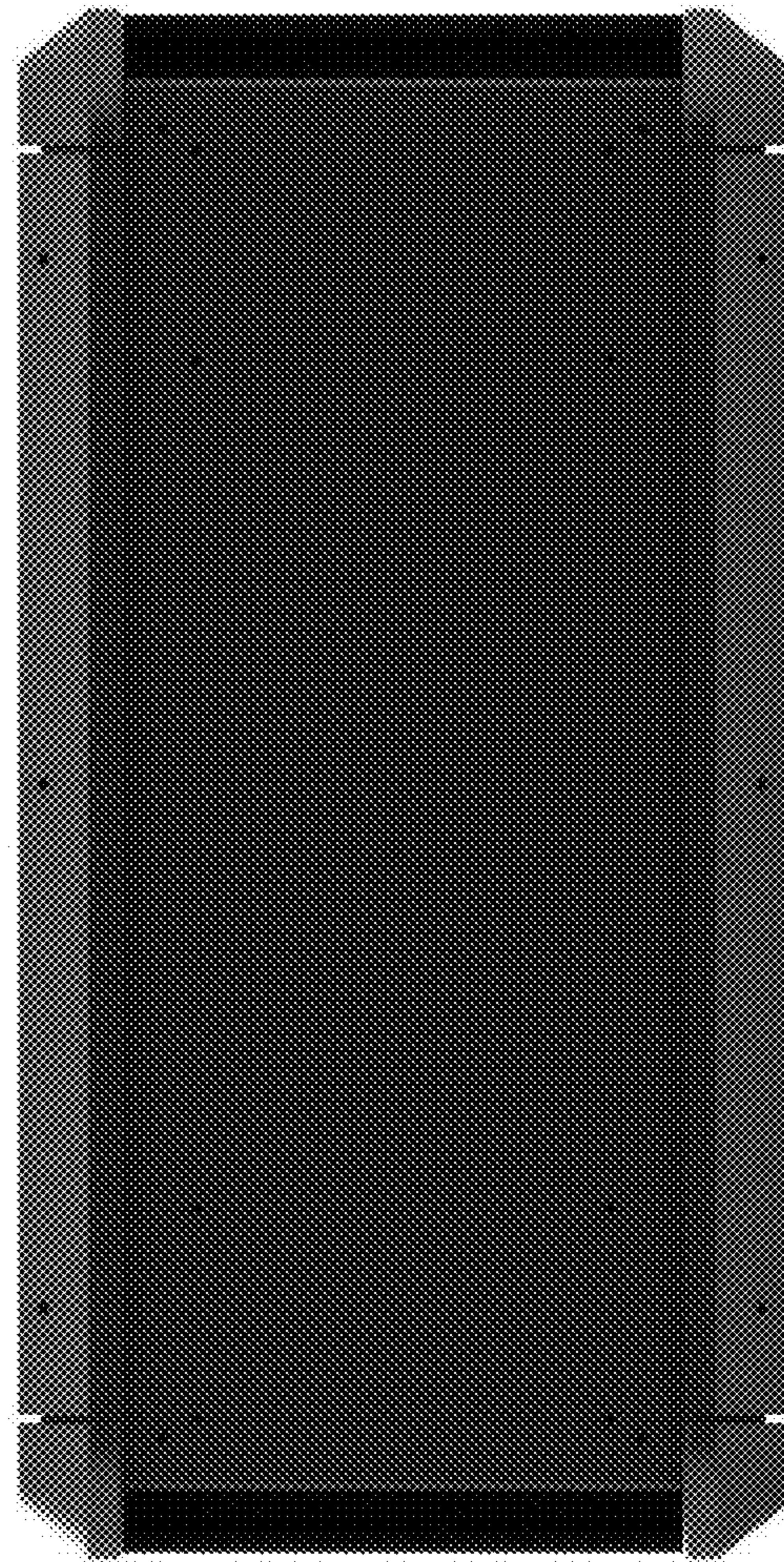


FIG. 5

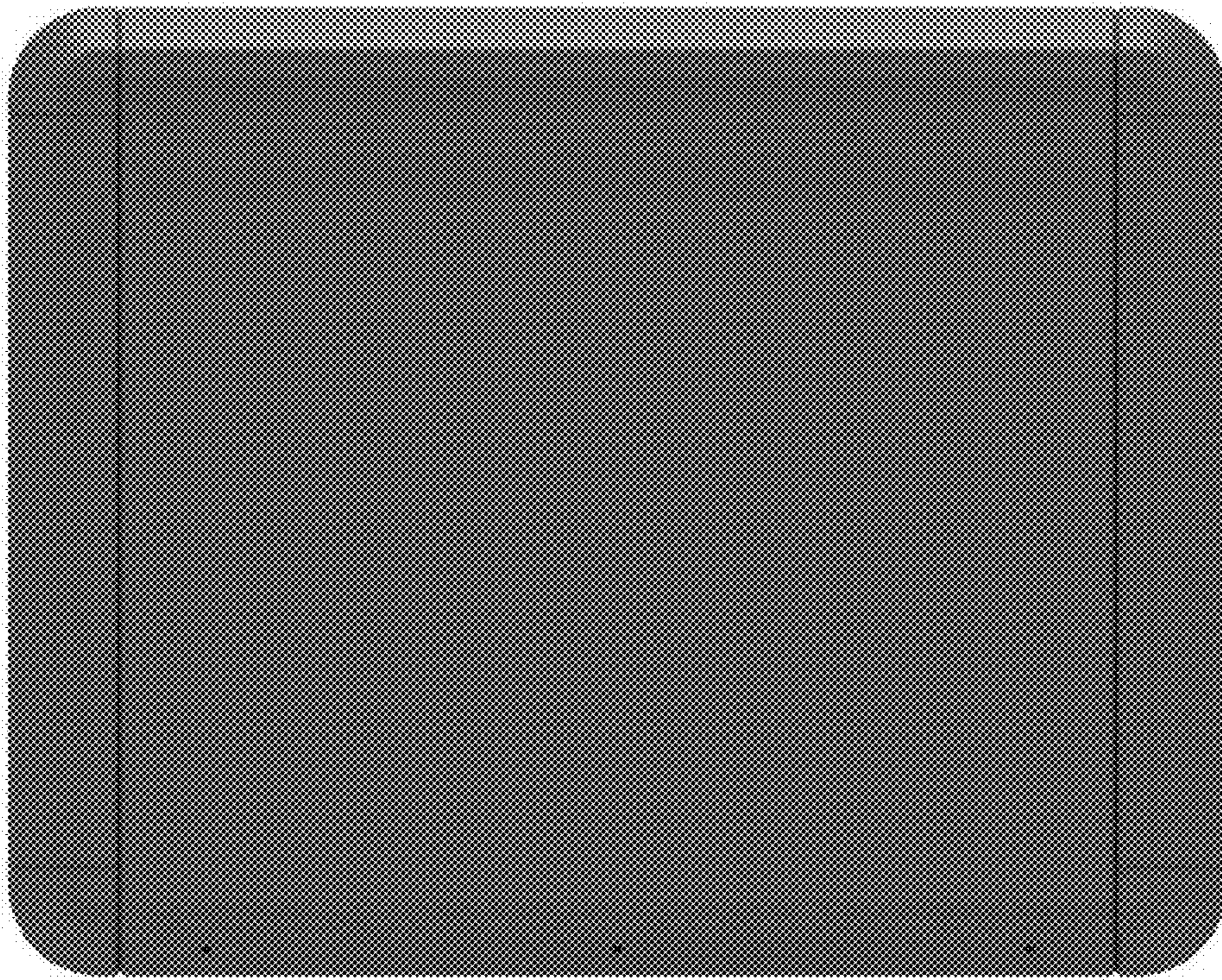


FIG. 6

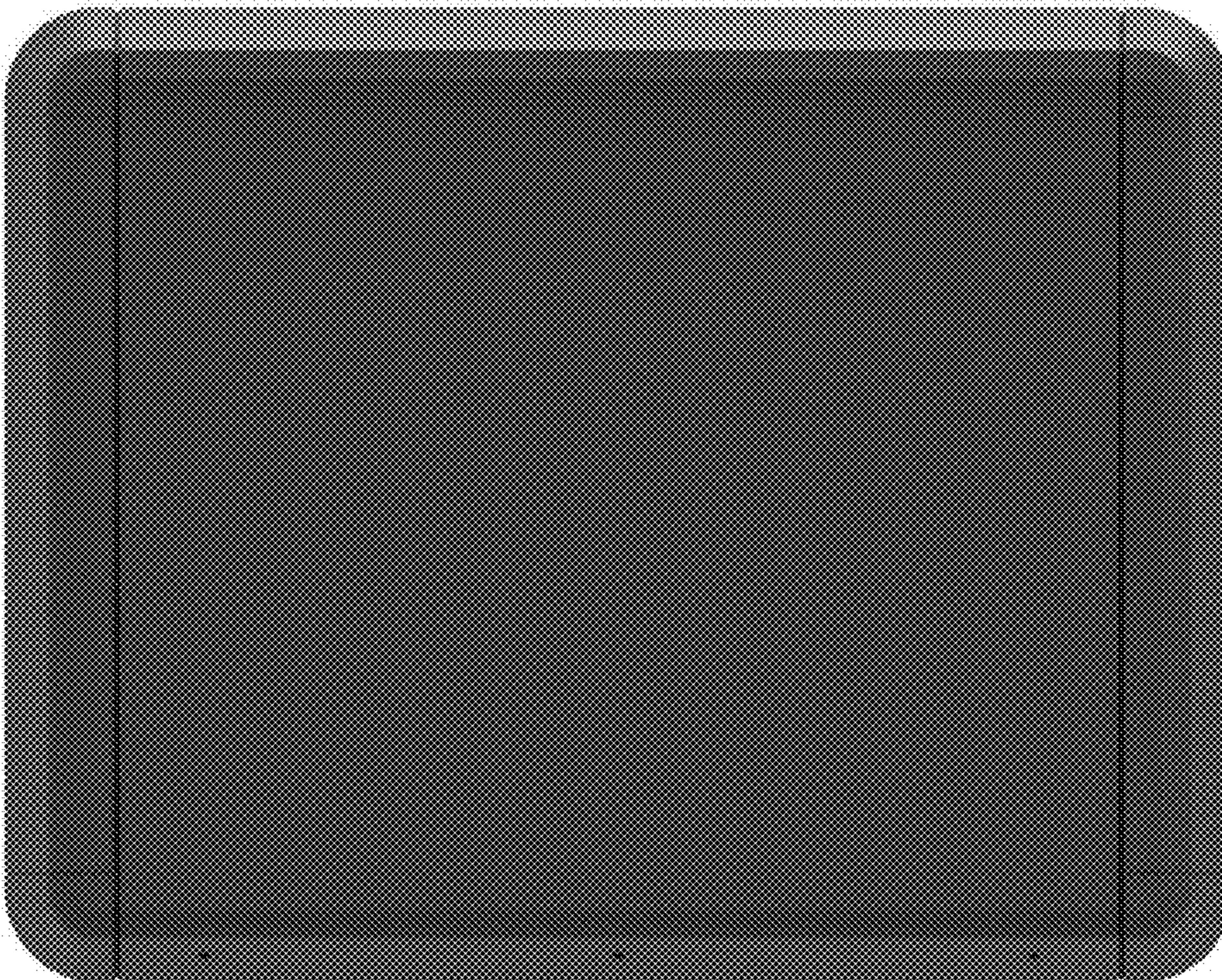


FIG. 7

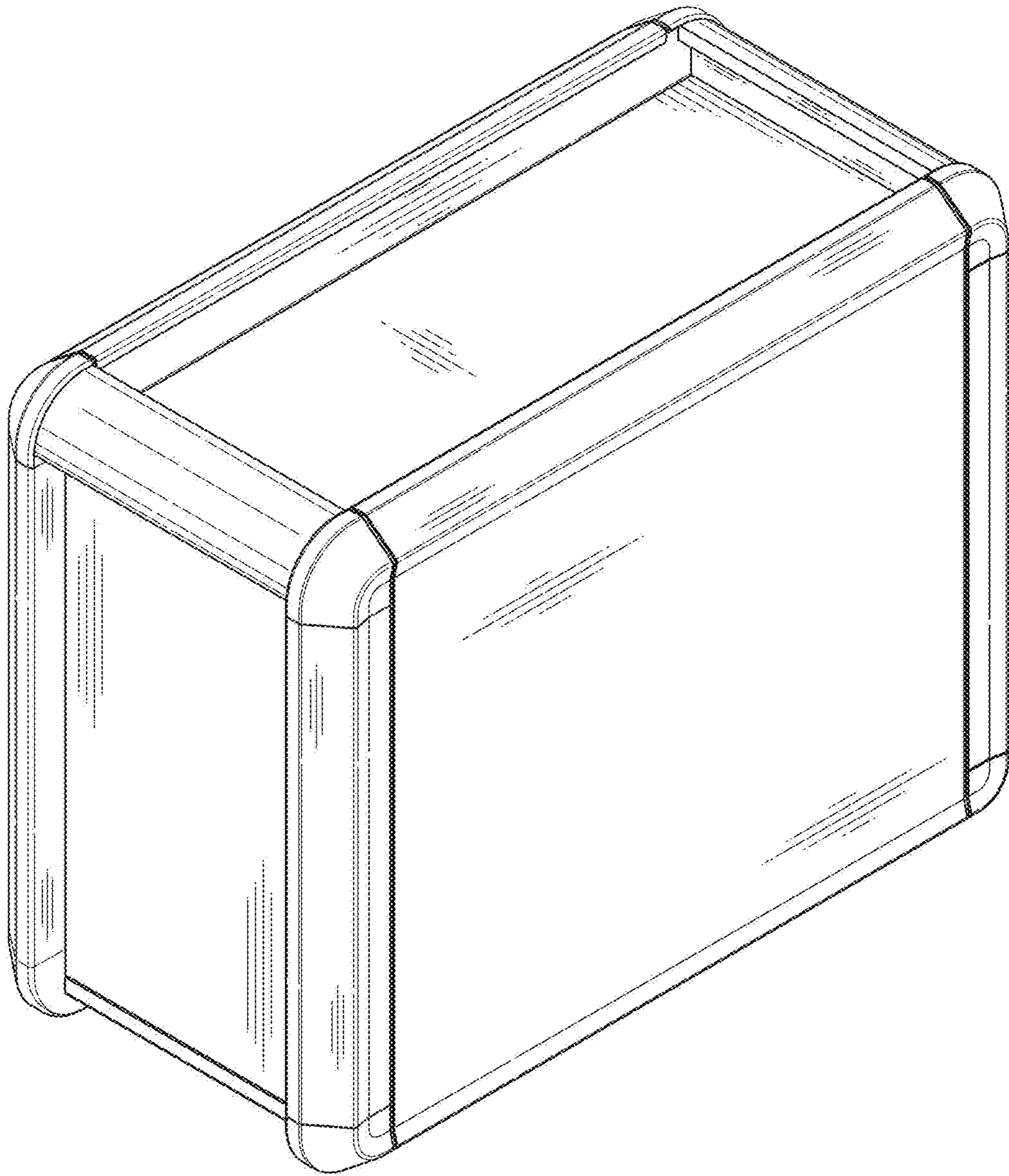


FIG. 8

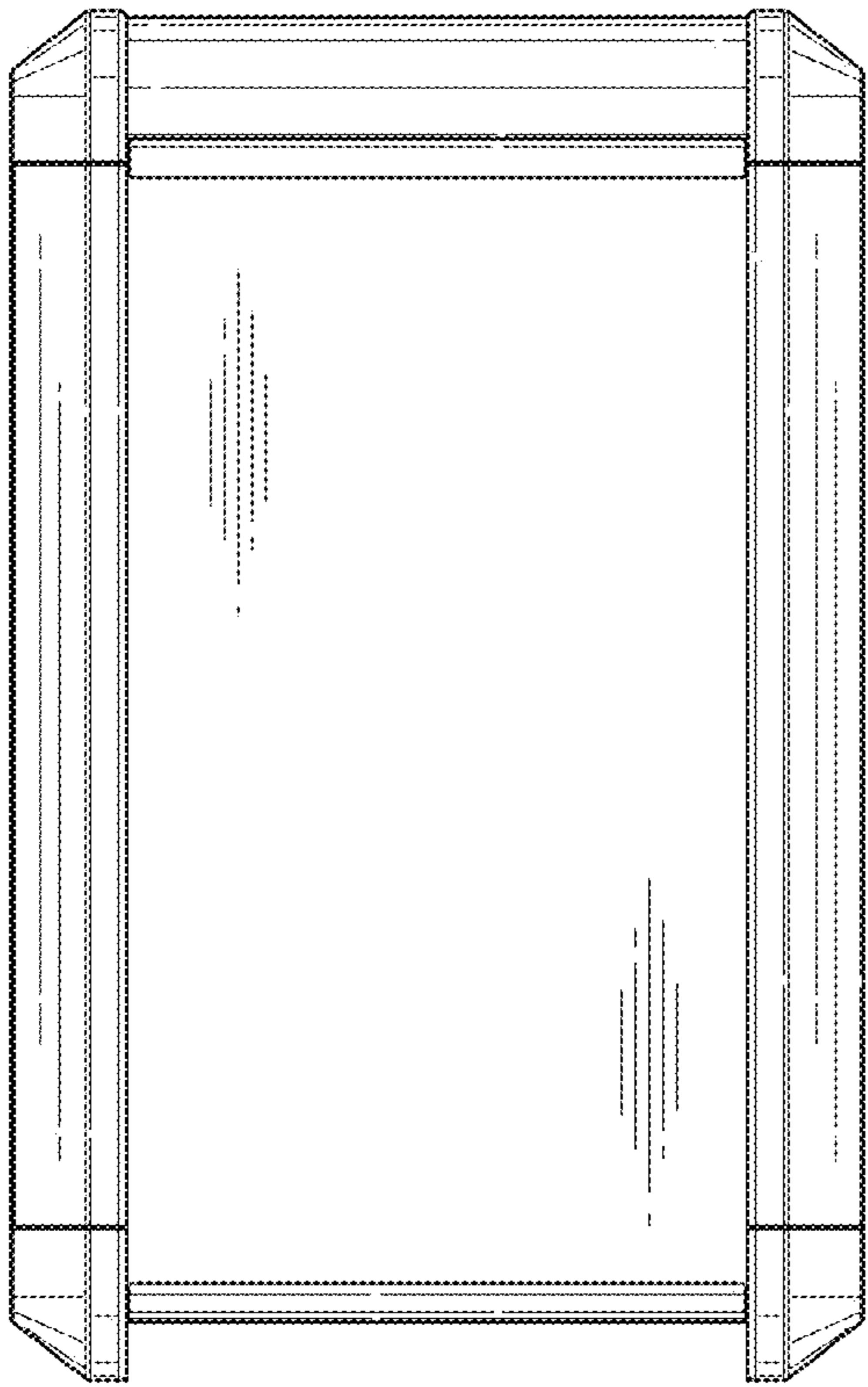


FIG. 9

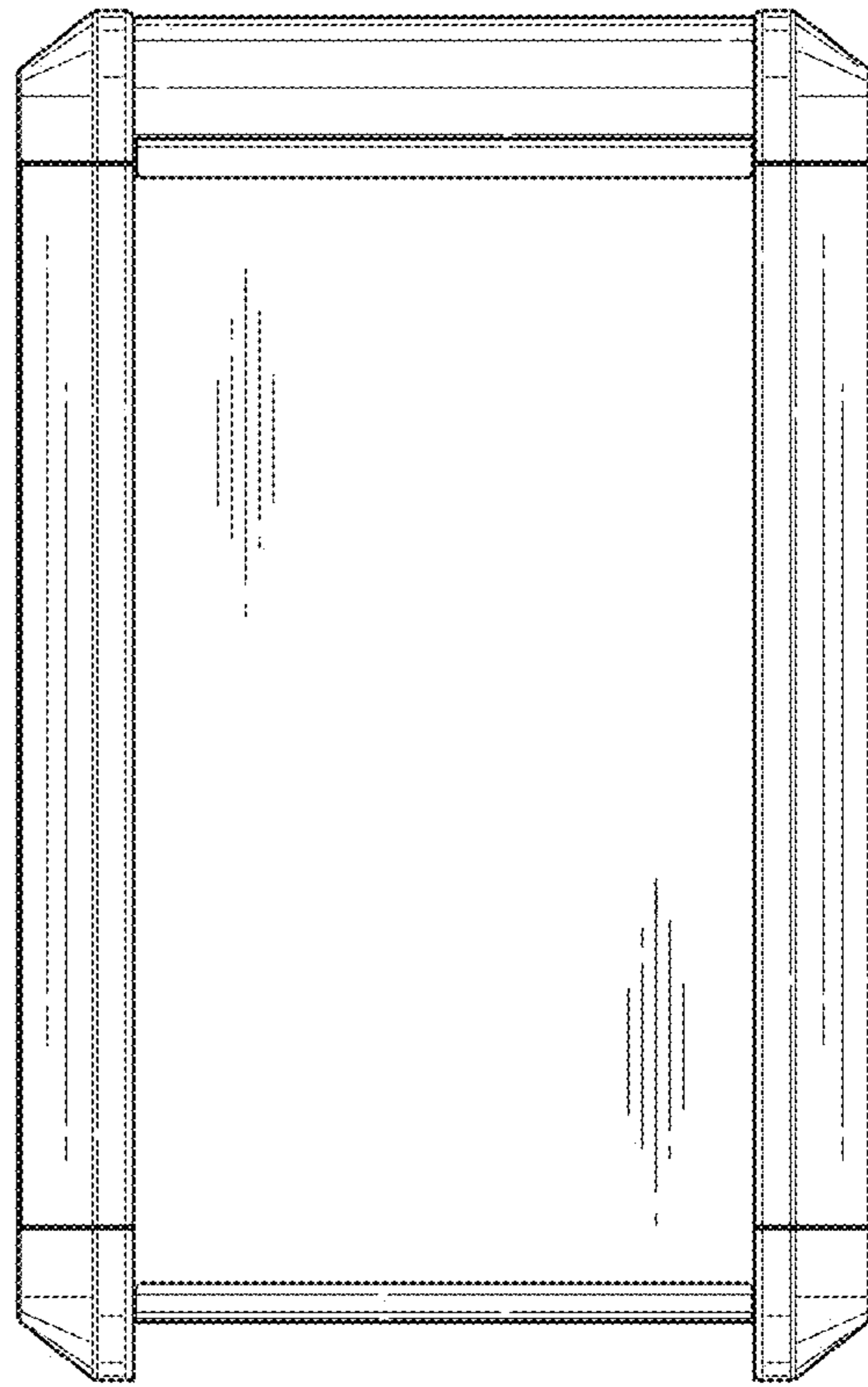


FIG. 10



FIG. 11

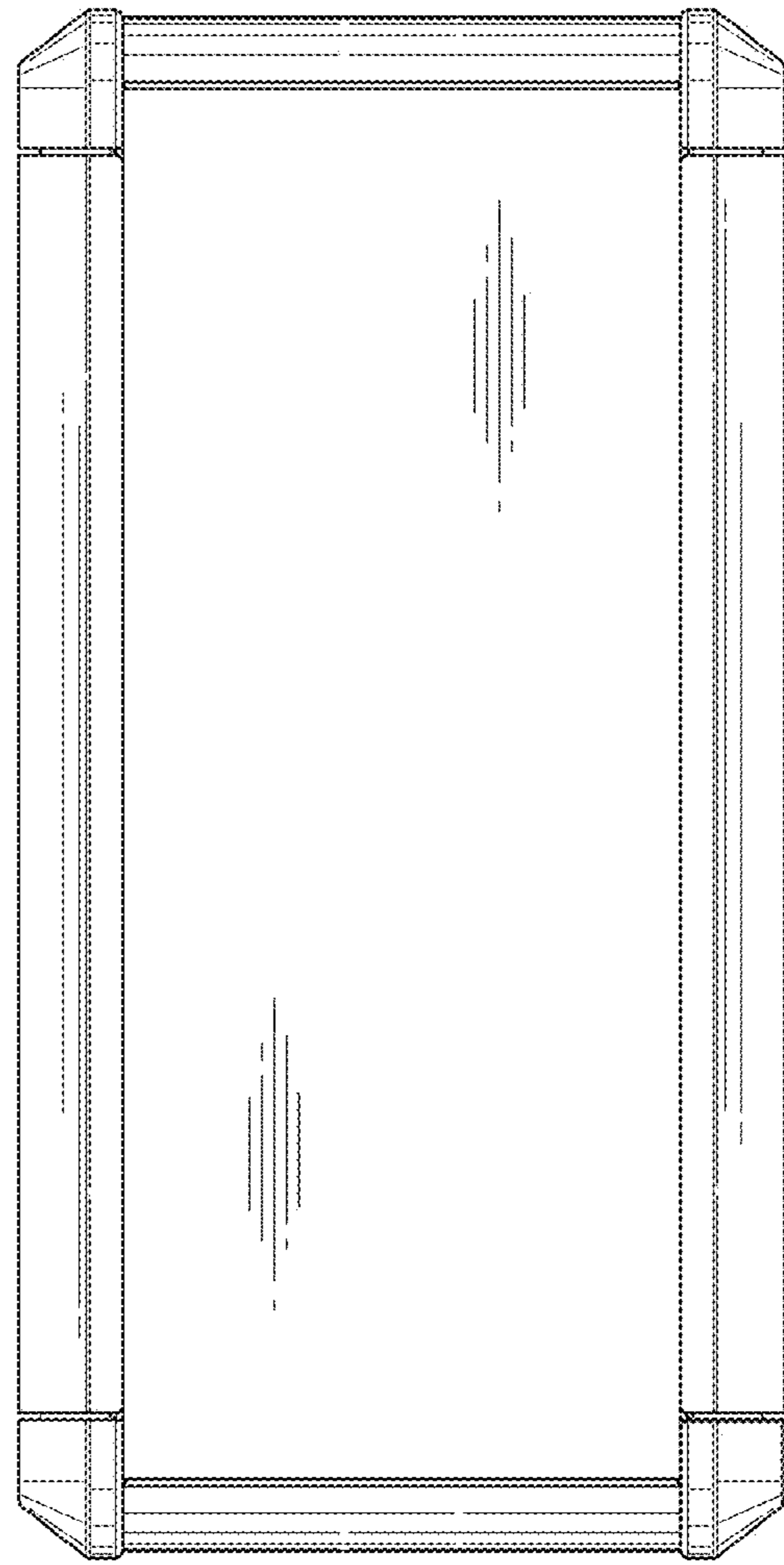


FIG. 12



FIG. 13



FIG. 14