



US00D982633S

(12) **United States Design Patent**
Kenno et al.

(10) **Patent No.:** **US D982,633 S**
(45) **Date of Patent:** **** Apr. 4, 2023**

(54) **WASHERLESS CUTTING TOOL ASSEMBLY**

(71) Applicant: **Kennametal Inc.**, Latrobe, PA (US)

(72) Inventors: **Brandon J. Kenno**, Windber, PA (US);
James R. Geyer, Manns Choice, PA (US)

(73) Assignee: **KENNAMETAL INC.**, Latrobe, PA (US)

(**) Term: **15 Years**

(21) Appl. No.: **29/773,760**

(22) Filed: **Mar. 11, 2021**

(51) **LOC (14) Cl.** **15-09**

(52) **U.S. Cl.**
USPC **D15/140**

(58) **Field of Classification Search**
USPC D15/130, 131, 132, 138, 139, 140, 141
CPC B23C 5/00; B23C 5/02; B23C 5/04; B23C 2200/00; B23C 2200/04; B23C 9/00; B23C 9/005; B23C 2210/02; B23C 2210/03; B23C 2210/50; B23C 7/00
See application file for complete search history.

(56) **References Cited**

U.S. PATENT DOCUMENTS

4,247,150	A	1/1981	Wrulich et al.	
4,603,911	A	8/1986	Hindmarsh	
4,684,176	A	8/1987	Den Besten et al.	
4,921,310	A	5/1990	Hedlund et al.	
6,375,272	B1	4/2002	Djanen	
D627,804	S *	11/2010	Fader	E21C 35/183 D15/139
D742,948	S	11/2015	Kenno et al.	
D742,949	S *	11/2015	Kenno	D15/139
9,567,811	B2	2/2017	Kenno	
D818,507	S *	5/2018	Swope	E21C 35/183 D15/139
D839,936	S *	2/2019	Weber	D15/139
10,260,341	B2	4/2019	Kammerer et al.	

10,294,786	B2	5/2019	Weber et al.	
D868,122	S *	11/2019	Rose	D15/139
10,465,512	B2 *	11/2019	Kenno	E21C 35/183
D920,401	S *	5/2021	Congdon	D15/139
D938,999	S *	12/2021	Congdon	D15/139
D963,718	S *	9/2022	Congdon	D15/139

(Continued)

FOREIGN PATENT DOCUMENTS

EP 3259447 B1 1/2020

OTHER PUBLICATIONS

United States Defensive Publication No. UST103602I4 Nov. 1, 1983.
Feb. 3, 2022 Non-Final OA U.S. Appl. No. 17/198,747.

Primary Examiner — Calvin E Vansant
Assistant Examiner — Eidiol Ghigliotty Torres
(74) *Attorney, Agent, or Firm* — Christopher J. Owens

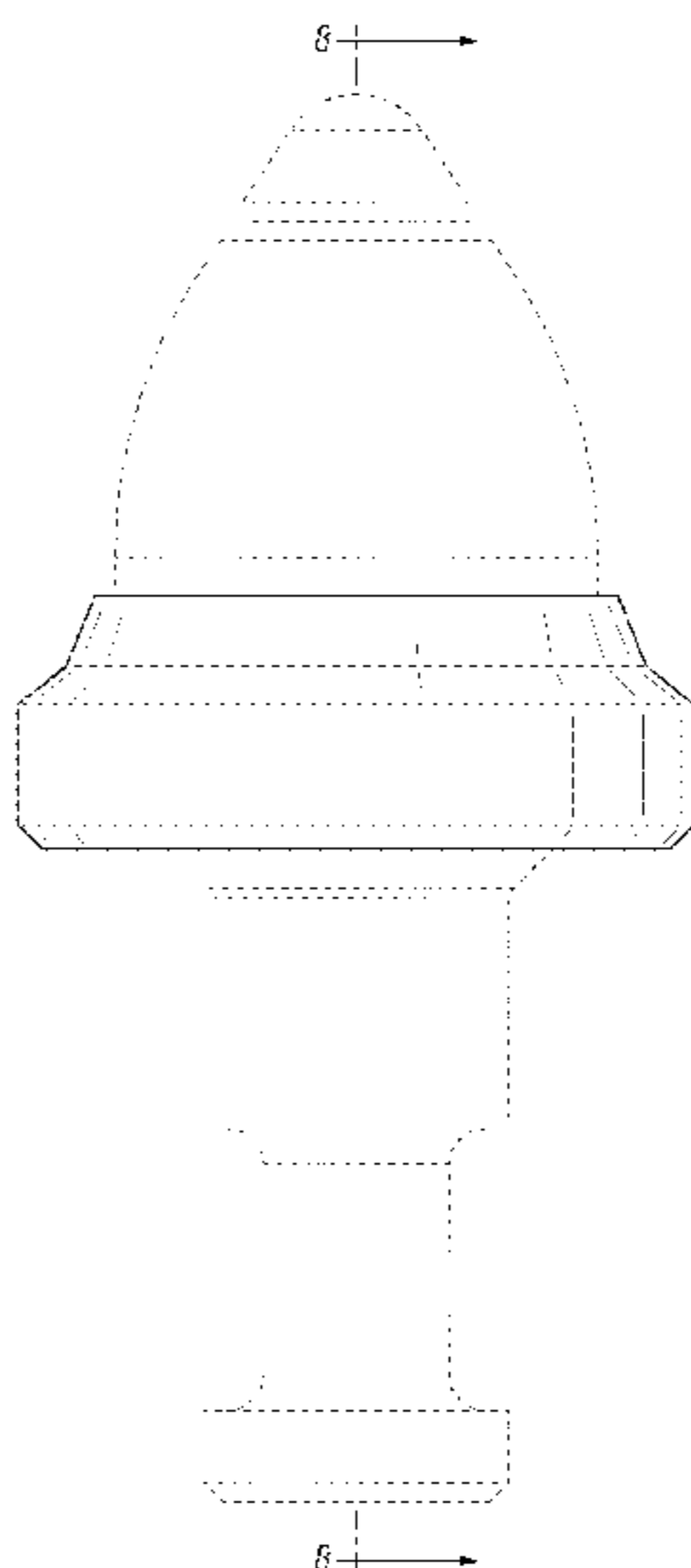
(57) **CLAIM**

The ornamental design for a washerless cutting tool assembly, as shown and described.

DESCRIPTION

FIG. 1 is a front plan view of a washerless cutting tool assembly showing our new design, wherein all front plan views are identical;
FIG. 2 is a top isometric view thereof;
FIG. 3 is another top isometric view thereof;
FIG. 4 is a bottom isometric view thereof;
FIG. 5 is another bottom isometric view thereof;
FIG. 6 is a top view thereof;
FIG. 7 is a bottom view thereof; and,
FIG. 8 is a cross-sectional view taken from line 8-8 of FIG. 1.
The broken lines in the drawings depict portions of the washerless cutting tool assembly that form no part of the claimed design.

1 Claim, 7 Drawing Sheets



(56)

References Cited

U.S. PATENT DOCUMENTS

2009/0108664 A1 4/2009 Hall et al.
2012/0242136 A1 9/2012 Ojanen
2016/0230551 A1 8/2016 Lehnert et al.
2017/0342831 A1* 11/2017 Weber E21C 35/19
2018/0073359 A1 3/2018 Kraemer et al.
2018/0245467 A1* 8/2018 Kenno E21C 35/183
2019/0106988 A1 4/2019 Buhr et al.

* cited by examiner

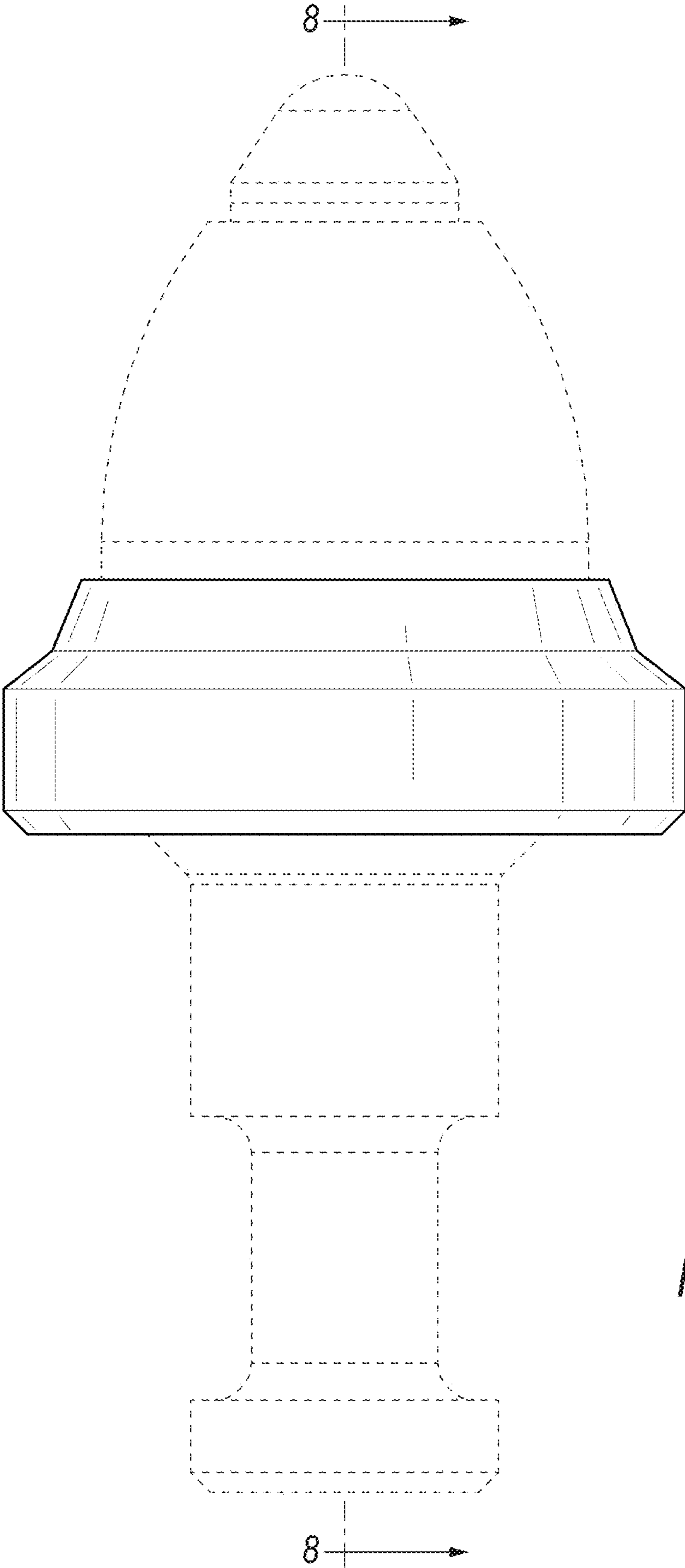


FIG. 1

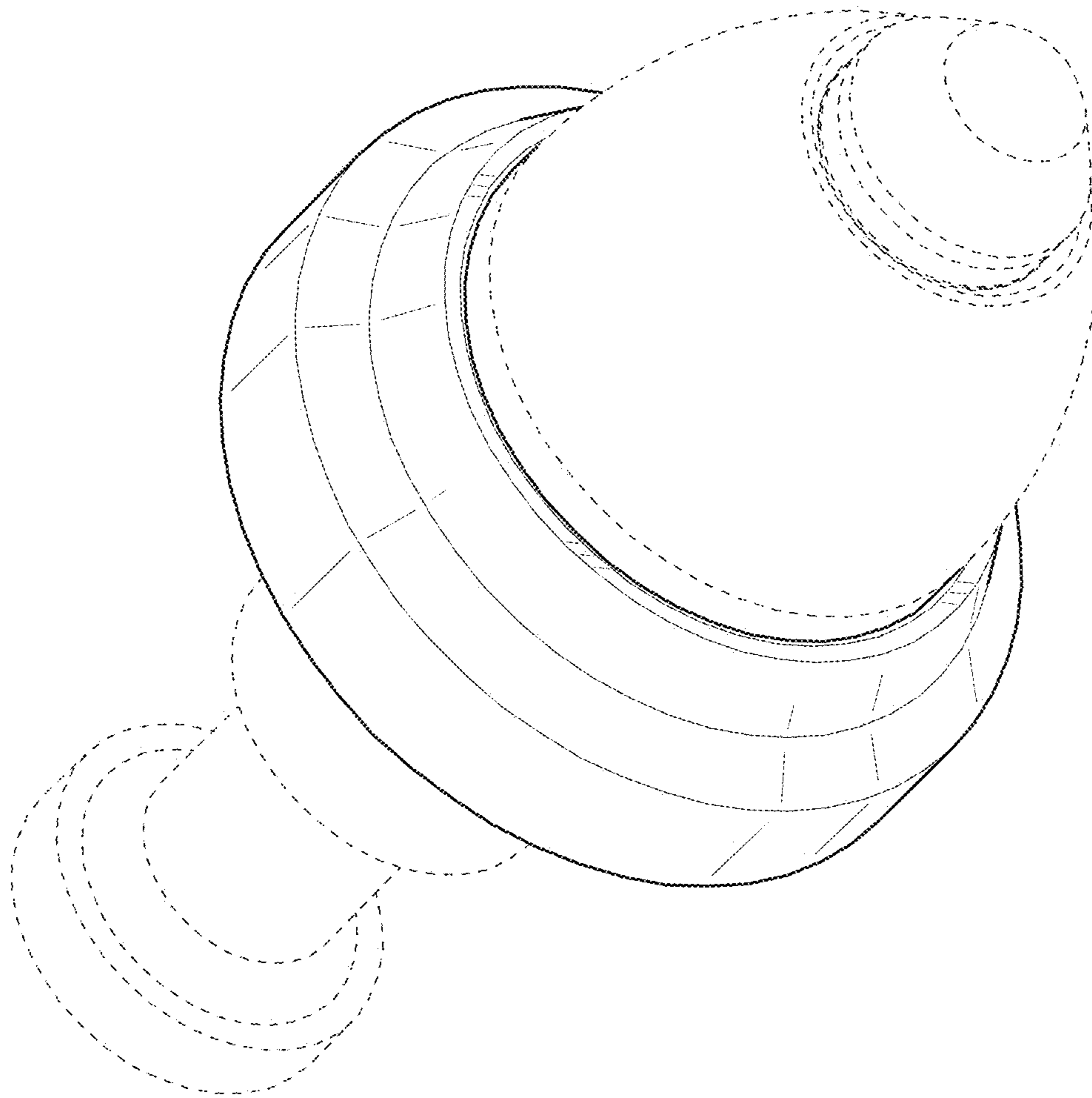


FIG. 2

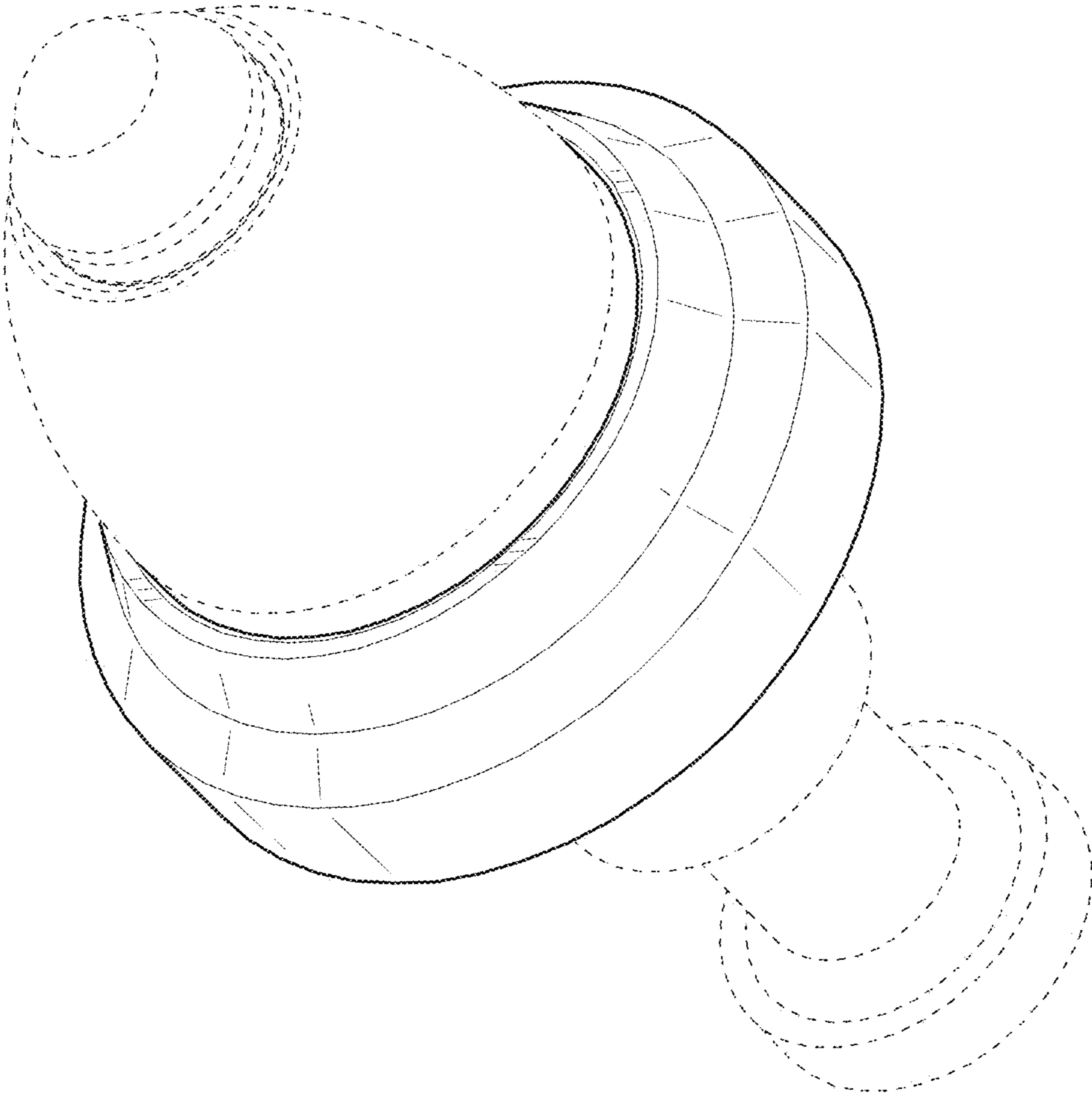


FIG. 3

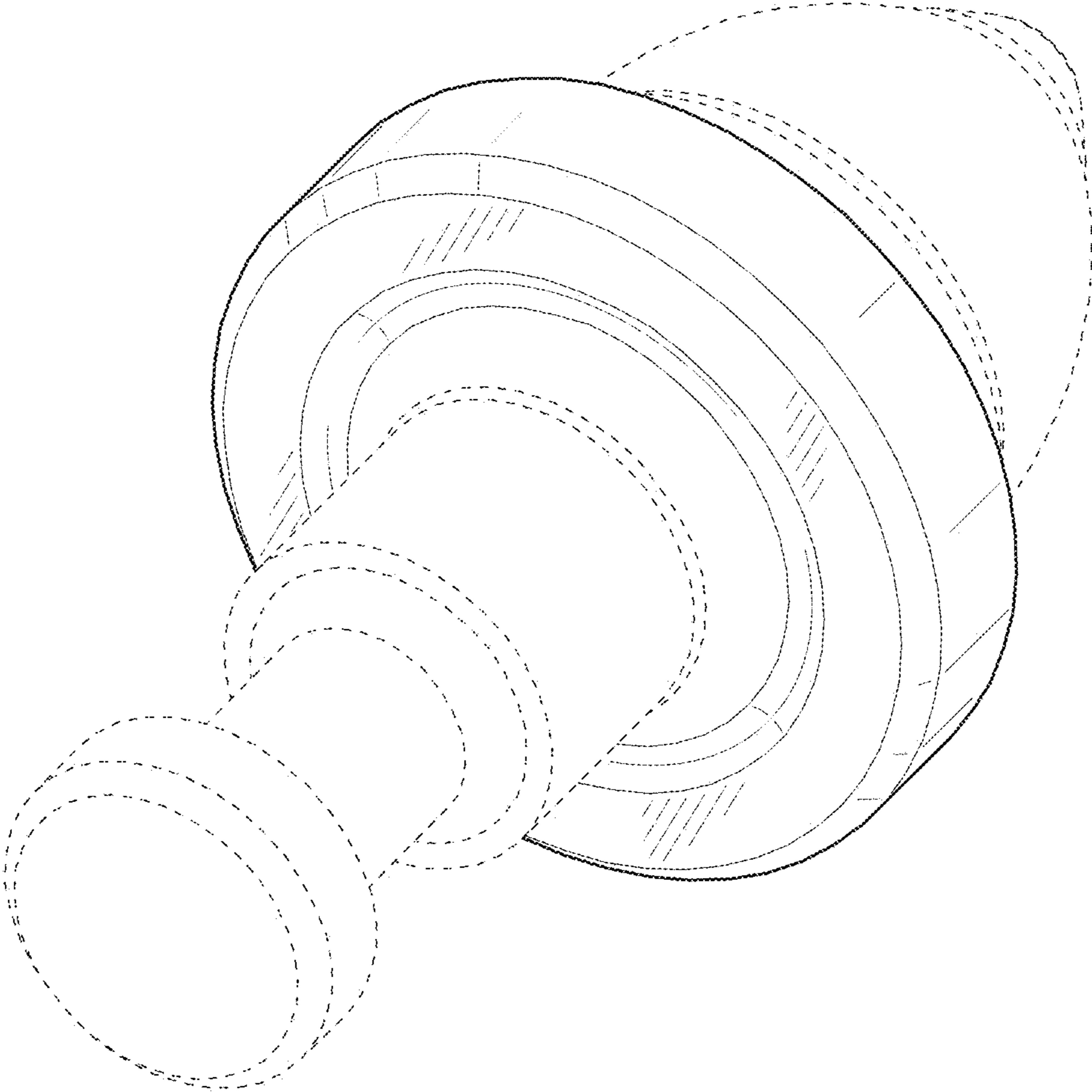


FIG. 4

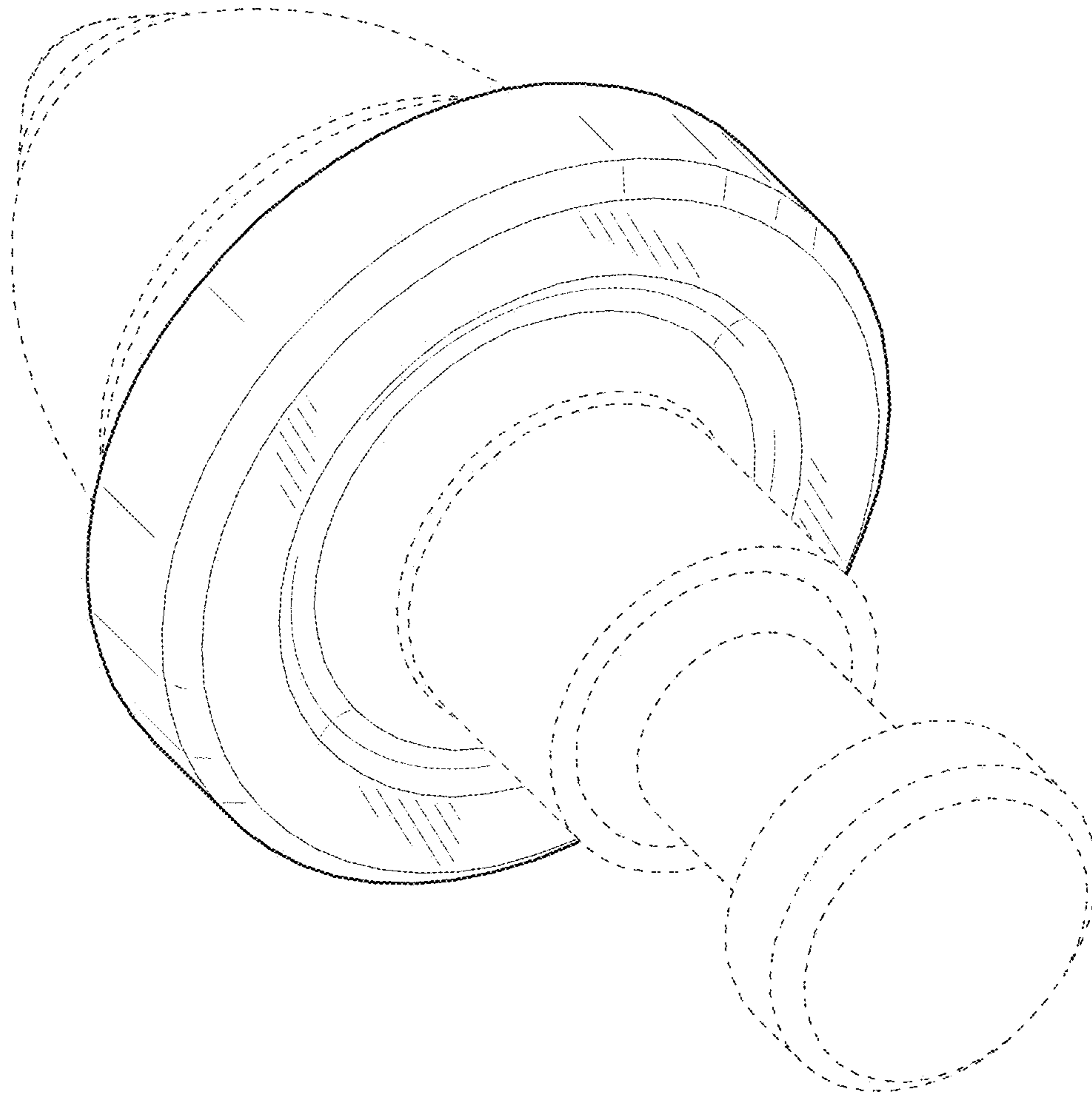


FIG. 5

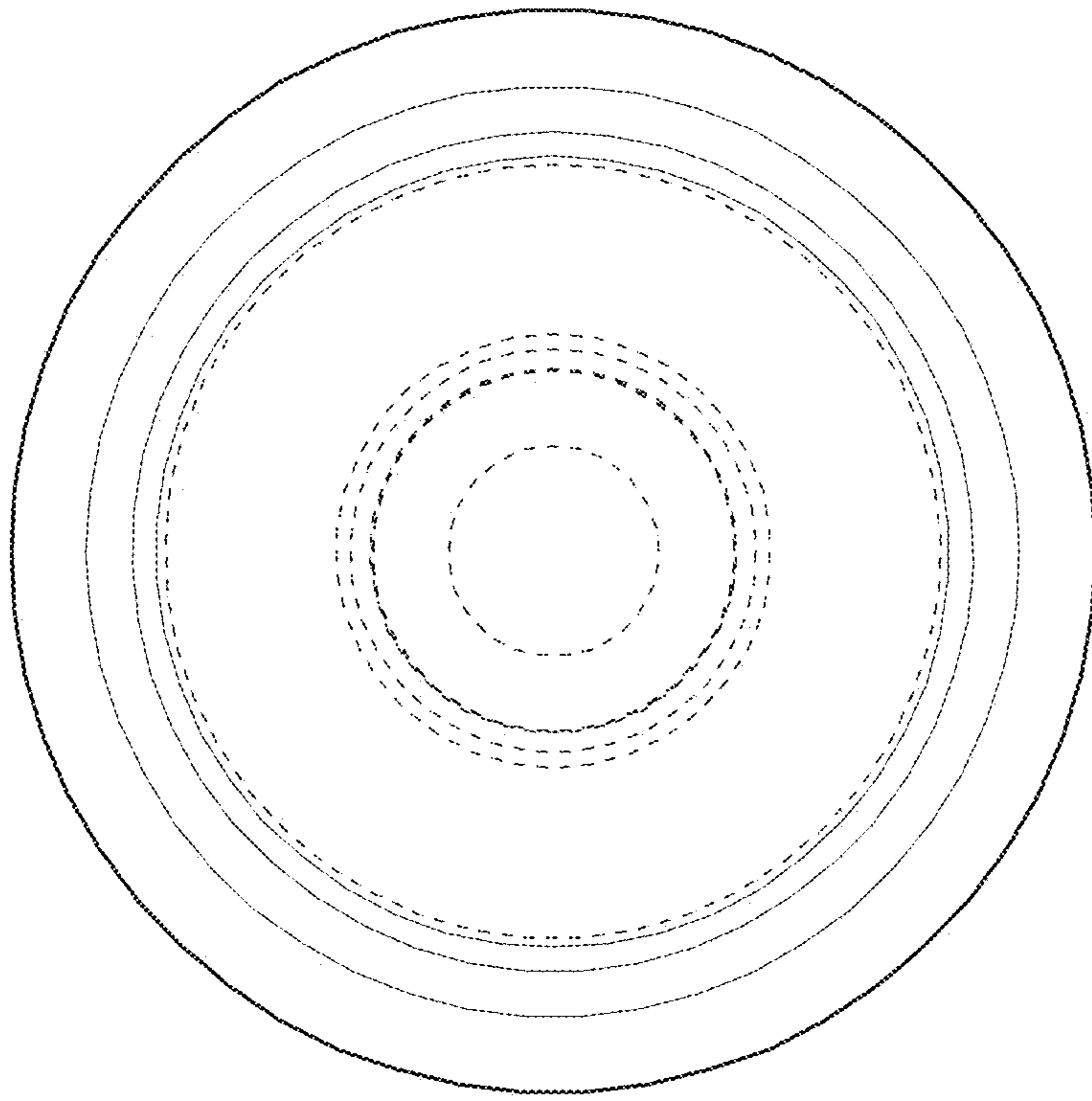


FIG. 6

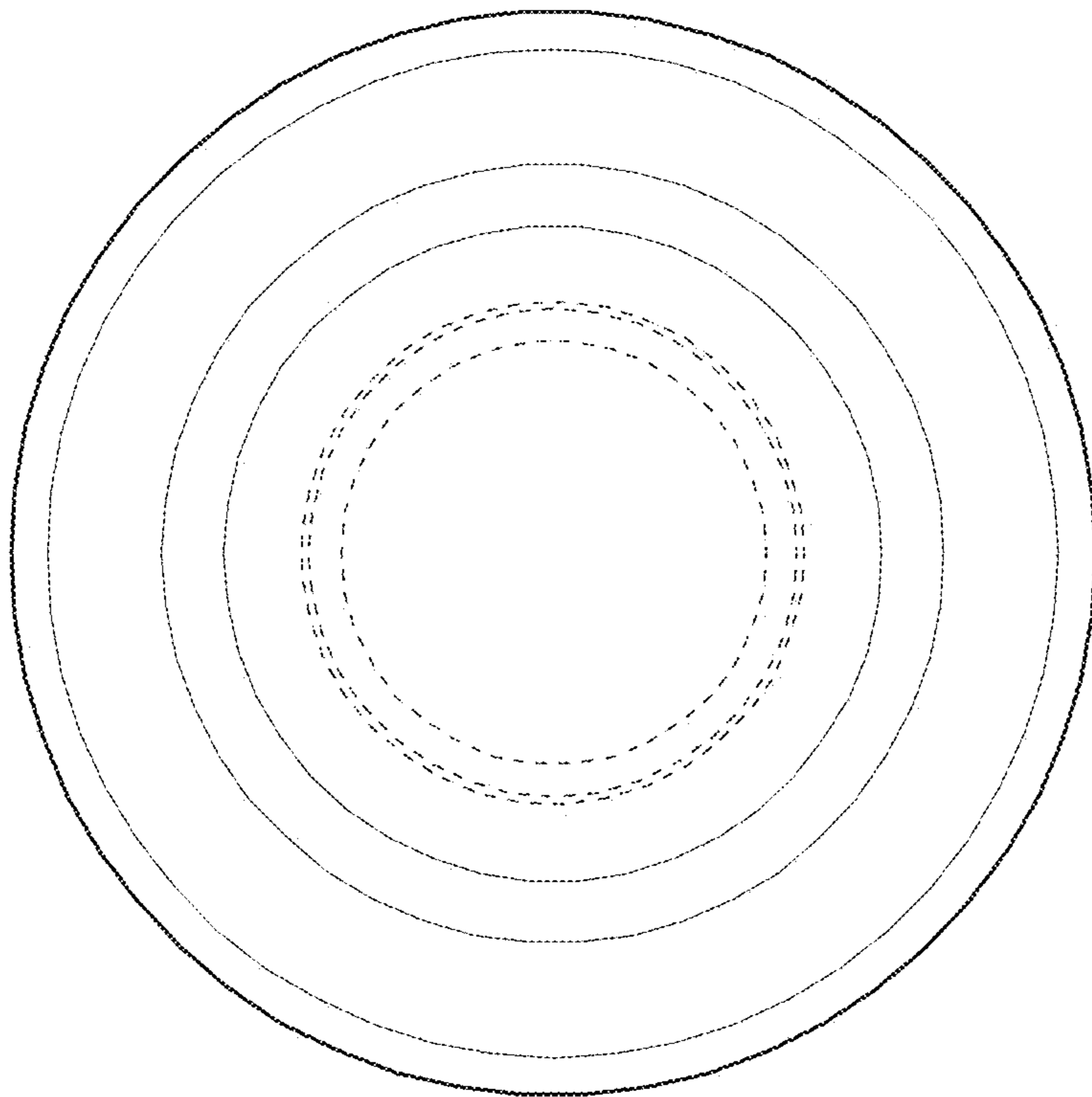


FIG. 7

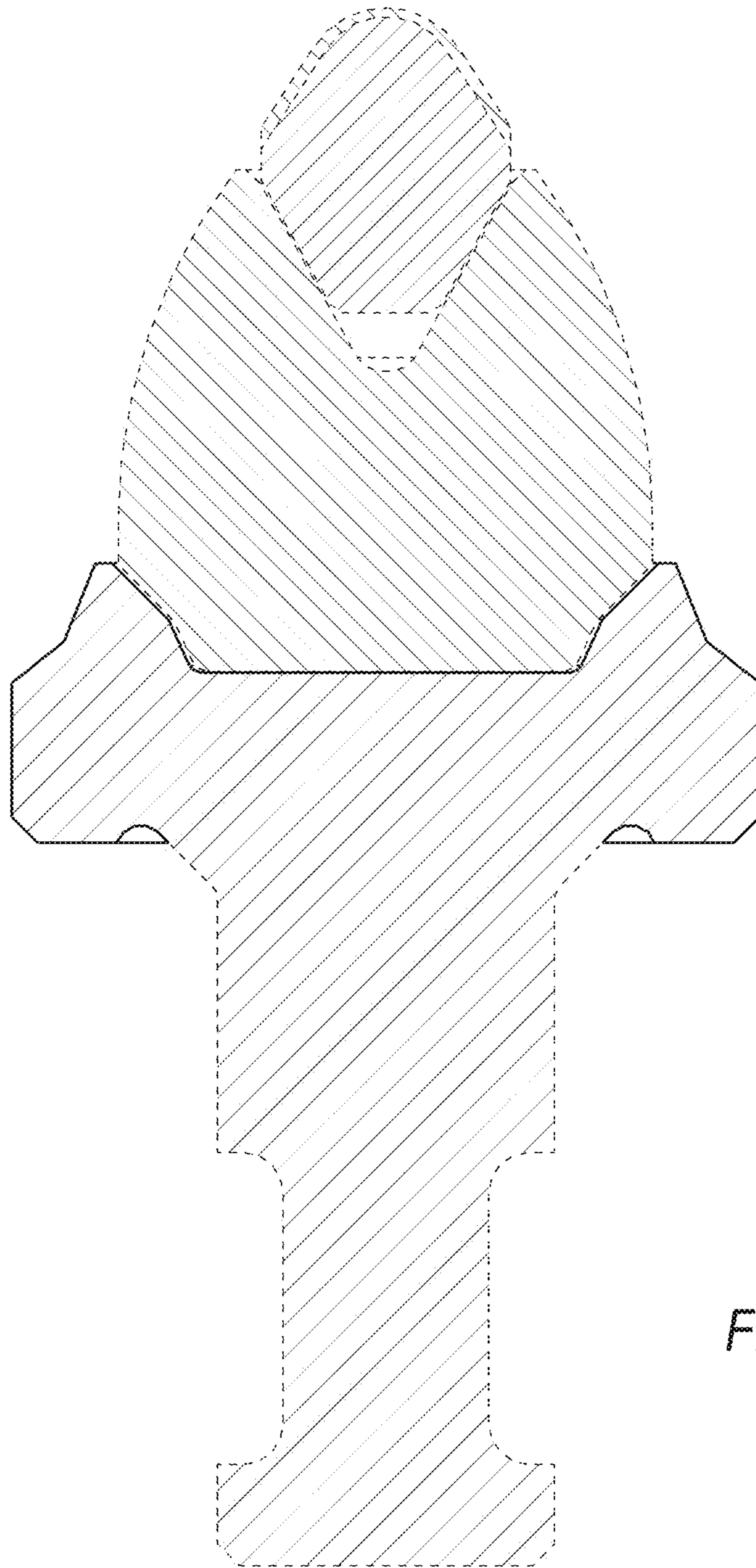


FIG. 8