



US00D982630S

(12) **United States Design Patent**
Lennartsson et al.

(10) **Patent No.:** **US D982,630 S**

(45) **Date of Patent:** **** Apr. 4, 2023**

(54) **CASSETTE FOR A CUTTING TOOL**

(71) Applicant: **SECO TOOLS AB**, Fagersta (SE)

(72) Inventors: **Reine Lennartsson**, Fagersta (SE);
Micael Sjodin Olsson, Fagersta (SE);
Boris Roslund, Fagersta (SE)

(73) Assignee: **SECO TOOLS AB**, Fagersta (SE)

(**) Term: **15 Years**

(21) Appl. No.: **29/722,335**

(22) Filed: **Jan. 29, 2020**

(51) **LOC (14) Cl.** **15-09**

(52) **U.S. Cl.**

USPC **D15/139**

(58) **Field of Classification Search**

USPC D15/131, 139

CPC B23B 51/0433; B23B 51/0413; B23B
2251/50; B27G 15/00

See application file for complete search history.

(56) **References Cited**

U.S. PATENT DOCUMENTS

D519,533 S *	4/2006	Frey	D15/139
D656,168 S *	3/2012	Omi	D15/139
D662,529 S *	6/2012	Kirby	D15/139
D692,470 S *	10/2013	Novak	D15/139
D708,650 S *	7/2014	Richter	D15/139
D711,441 S *	8/2014	Novak	D15/139
D735,784 S *	8/2015	O'Malley	D15/139
D735,785 S *	8/2015	O'Malley	D15/139
D736,279 S *	8/2015	O'Malley	D15/139
D758,463 S *	6/2016	Kikuchi	D15/139
D781,941 S *	3/2017	Nakamura	D15/139
D815,165 S *	4/2018	Morisaki	D15/139
D816,743 S *	5/2018	Monden	D15/139
D820,329 S *	6/2018	Kanada	D15/139
D826,664 S *	8/2018	Matsubara	D15/139

D831,084 S *	10/2018	Abe	D15/139
D832,317 S *	10/2018	Abe	D15/139
D834,077 S *	11/2018	Monden	D15/139

(Continued)

Primary Examiner — Michael C Stout

Assistant Examiner — Fritzgerald L Butac

(74) *Attorney, Agent, or Firm* — Corinne R. Gorski

(57) **CLAIM**

The ornamental design for a cassette for a cutting tool, as shown and described.

DESCRIPTION

FIG. 1 is a perspective top view of a first embodiment of a cassette for a cutting tool;

FIG. 2 is a perspective bottom view thereof;

FIG. 3 is a bottom plan view thereof;

FIG. 4 is a front elevational view thereof;

FIG. 5 is a rear elevational view thereof;

FIG. 6 is a top plan view thereof;

FIG. 7 is a left side elevational view thereof;

FIG. 8 is a right side elevational view thereof.

FIG. 9 is a perspective top view of a second embodiment of a cassette for a cutting tool;

FIG. 10 is a perspective bottom view thereof;

FIG. 11 is a bottom plan view thereof;

FIG. 12 is a front elevational view thereof;

FIG. 13 is a rear elevational view thereof;

FIG. 14 is a top plan view thereof;

FIG. 15 is a left side elevational view thereof;

FIG. 16 is a right side elevational view thereof.

FIG. 17 is a perspective top view of a third embodiment of a cassette for a cutting tool;

FIG. 18 is a perspective bottom view thereof;

FIG. 19 is a bottom plan view thereof;

FIG. 20 is a front elevational view thereof;

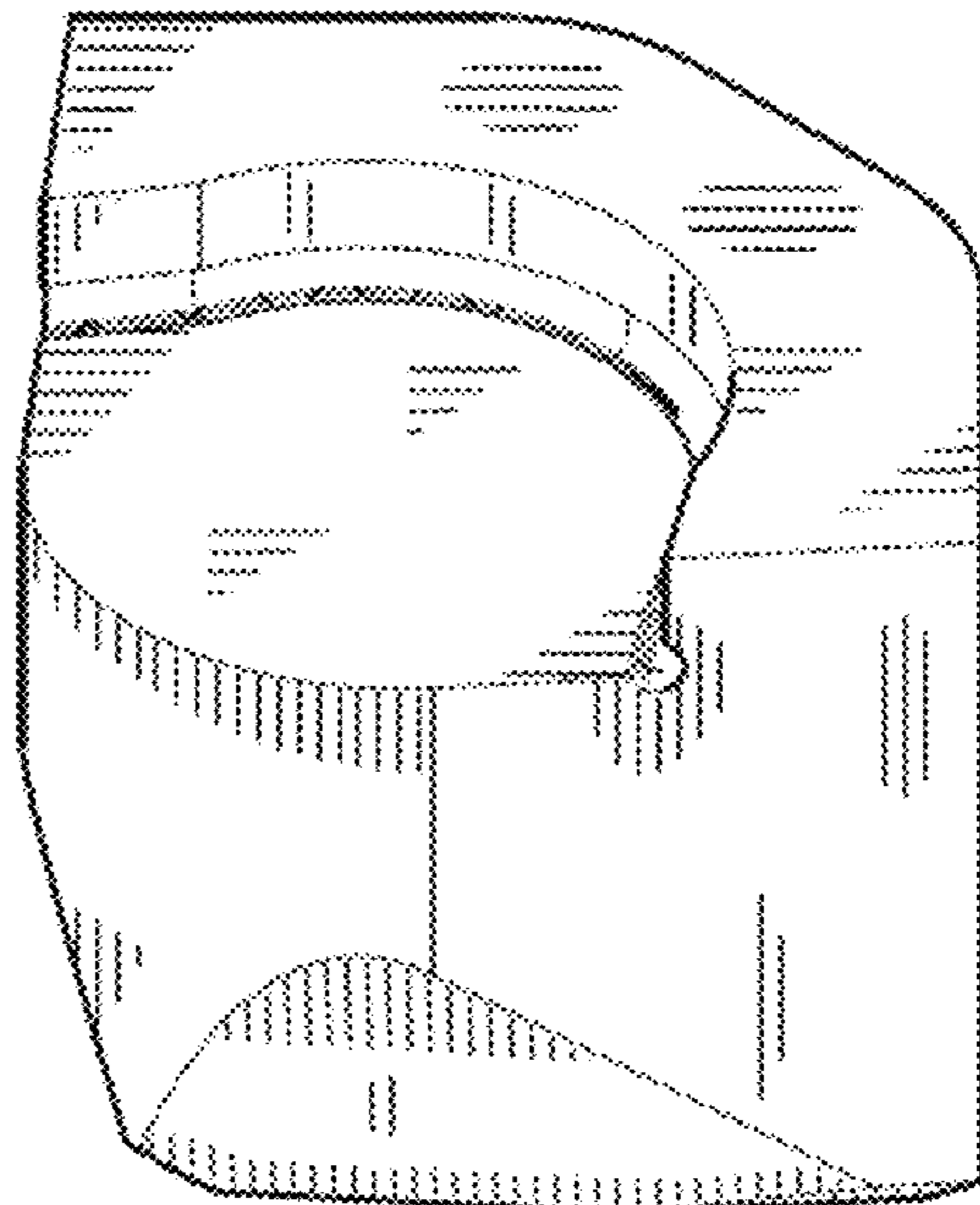
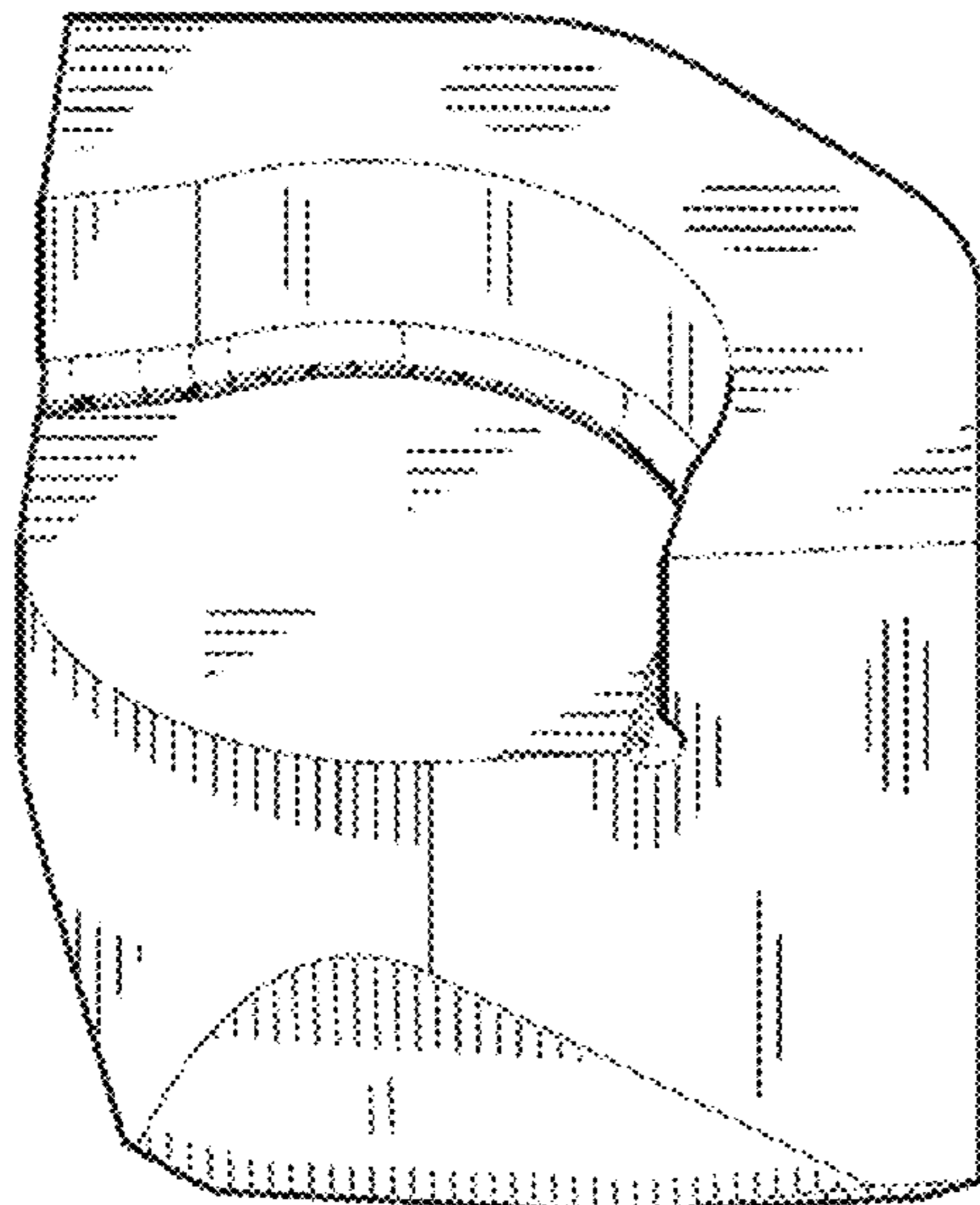
FIG. 21 is a rear elevational view thereof;

FIG. 22 is a top plan view thereof;

FIG. 23 is a left side elevational view thereof; and

FIG. 24 is a right side elevational view thereof.

1 Claim, 13 Drawing Sheets



(56)

References Cited

U.S. PATENT DOCUMENTS

D834,078	S	*	11/2018	Monden	D15/139
D844,034	S	*	3/2019	Yano	D15/139
D844,683	S	*	4/2019	Yano	D15/139
D865,823	S	*	11/2019	Abe	D15/139
D872,145	S	*	1/2020	Maeno	D15/139
D920,401	S	*	5/2021	Congdon	D15/139
D921,075	S	*	6/2021	Park	D15/139
D921,076	S	*	6/2021	Park	D15/139
D931,916	S	*	9/2021	Shimamoto	D15/139
D936,713	S	*	11/2021	Endoh	D15/139
D937,330	S	*	11/2021	Kukino	D15/139

* cited by examiner

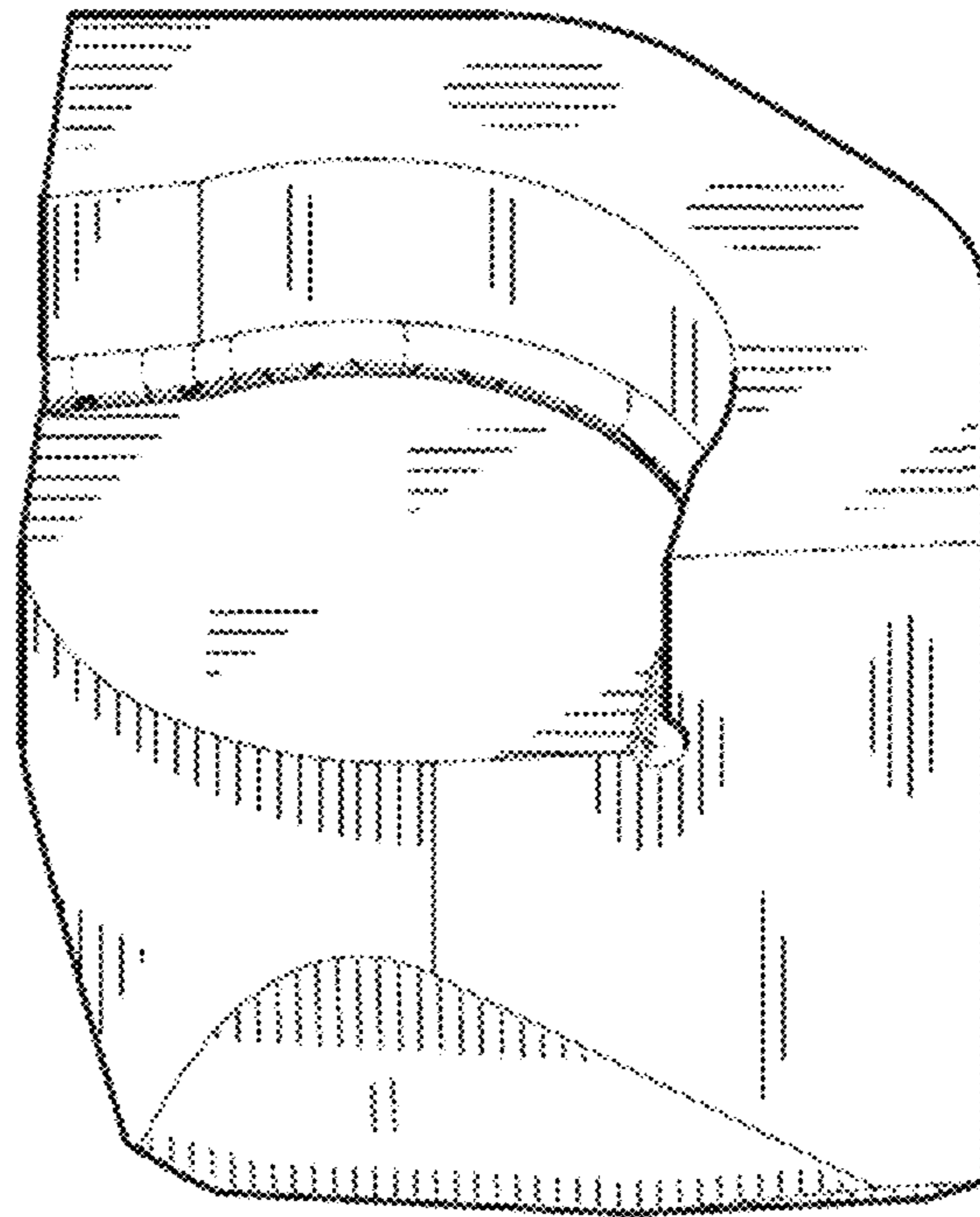


FIG. 1

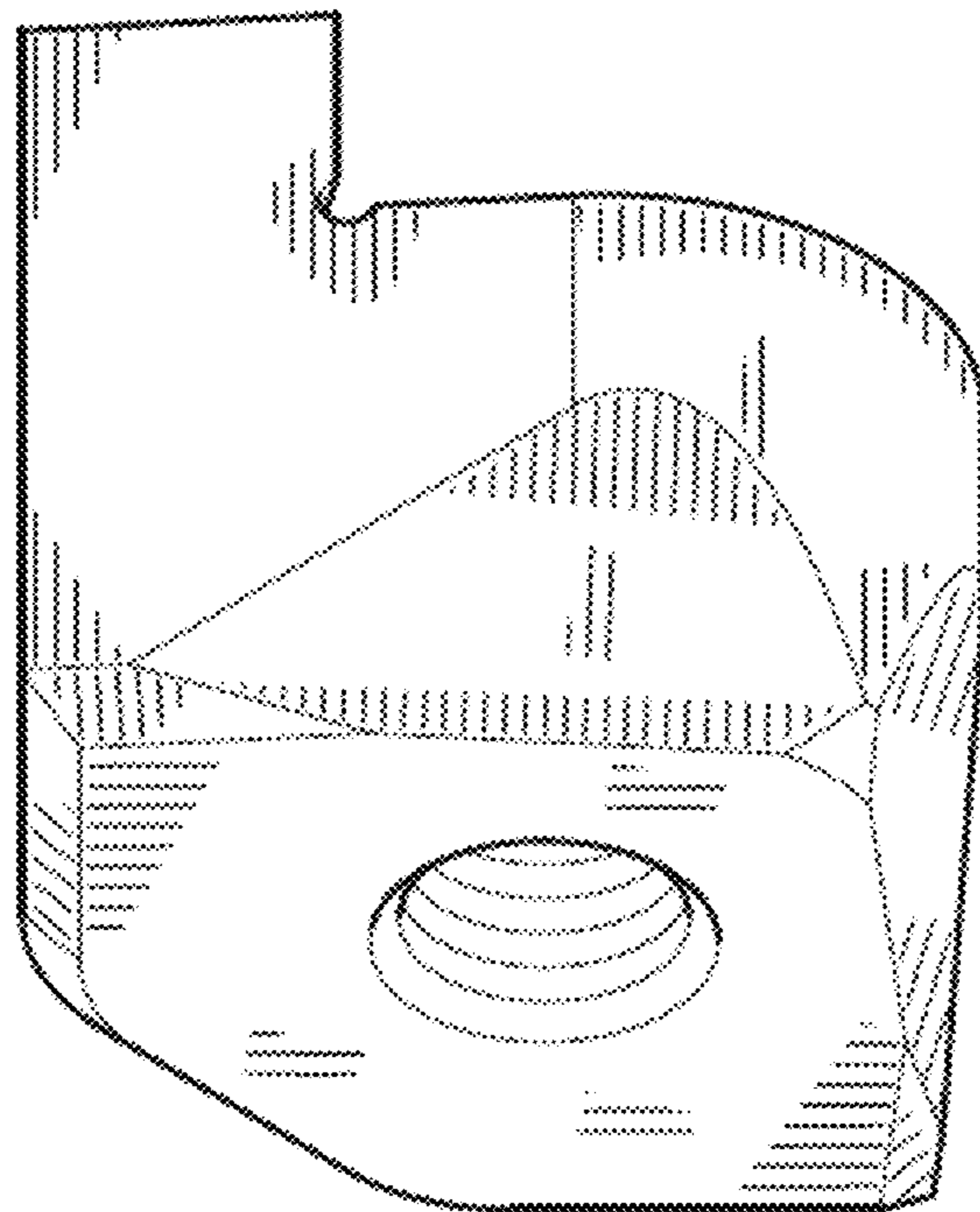


FIG. 2

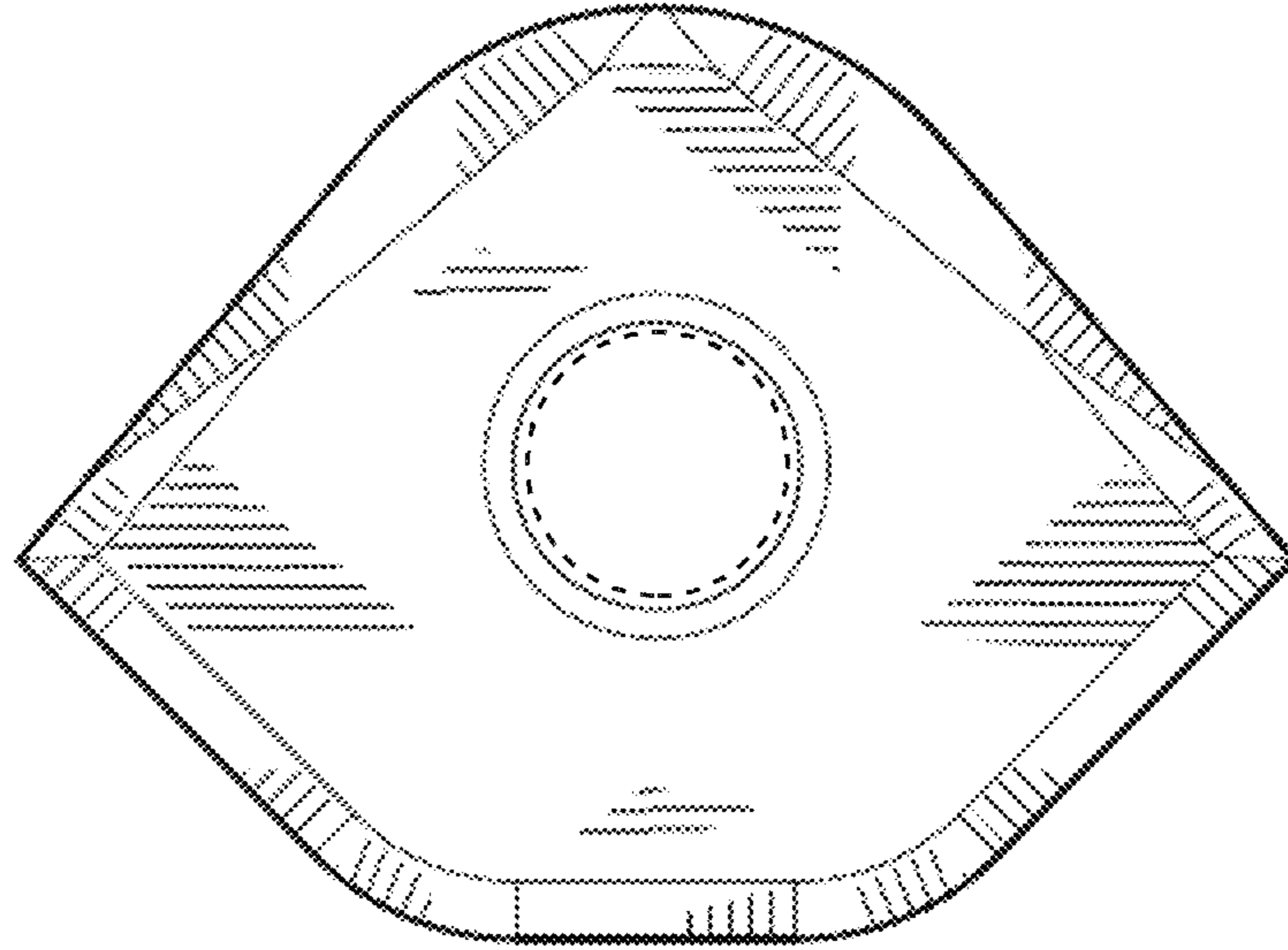


FIG. 3

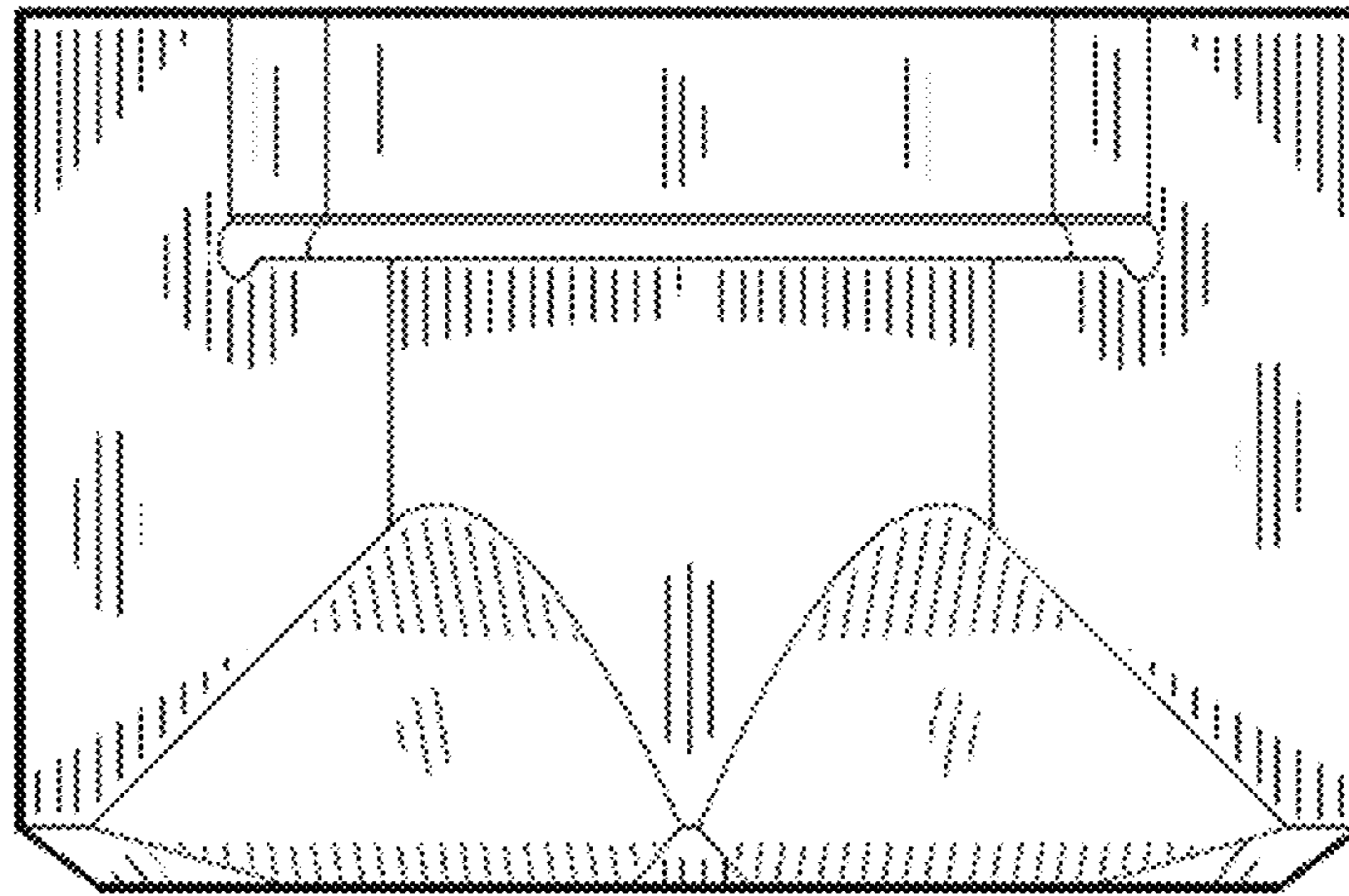


FIG. 4

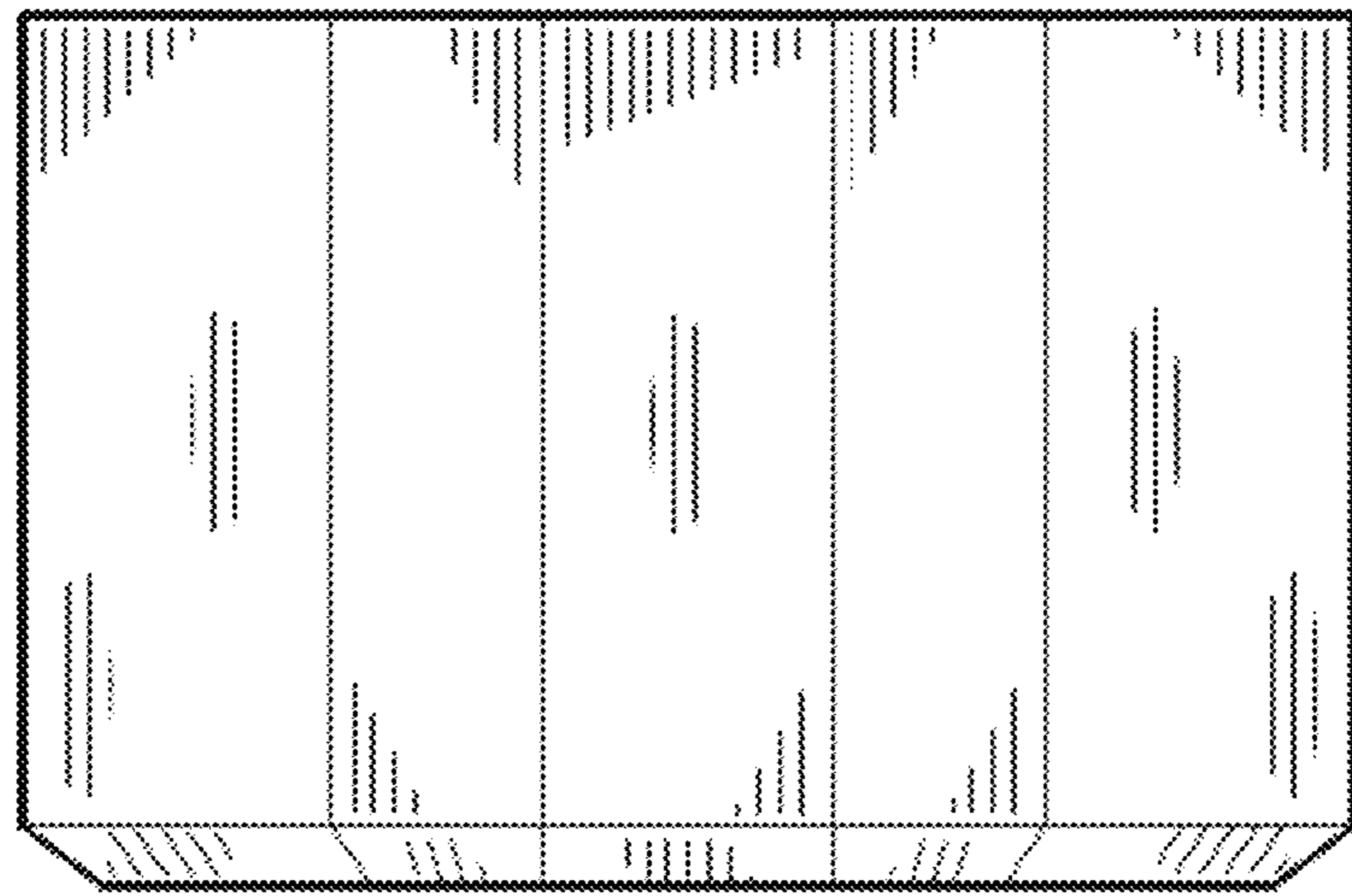


FIG. 5

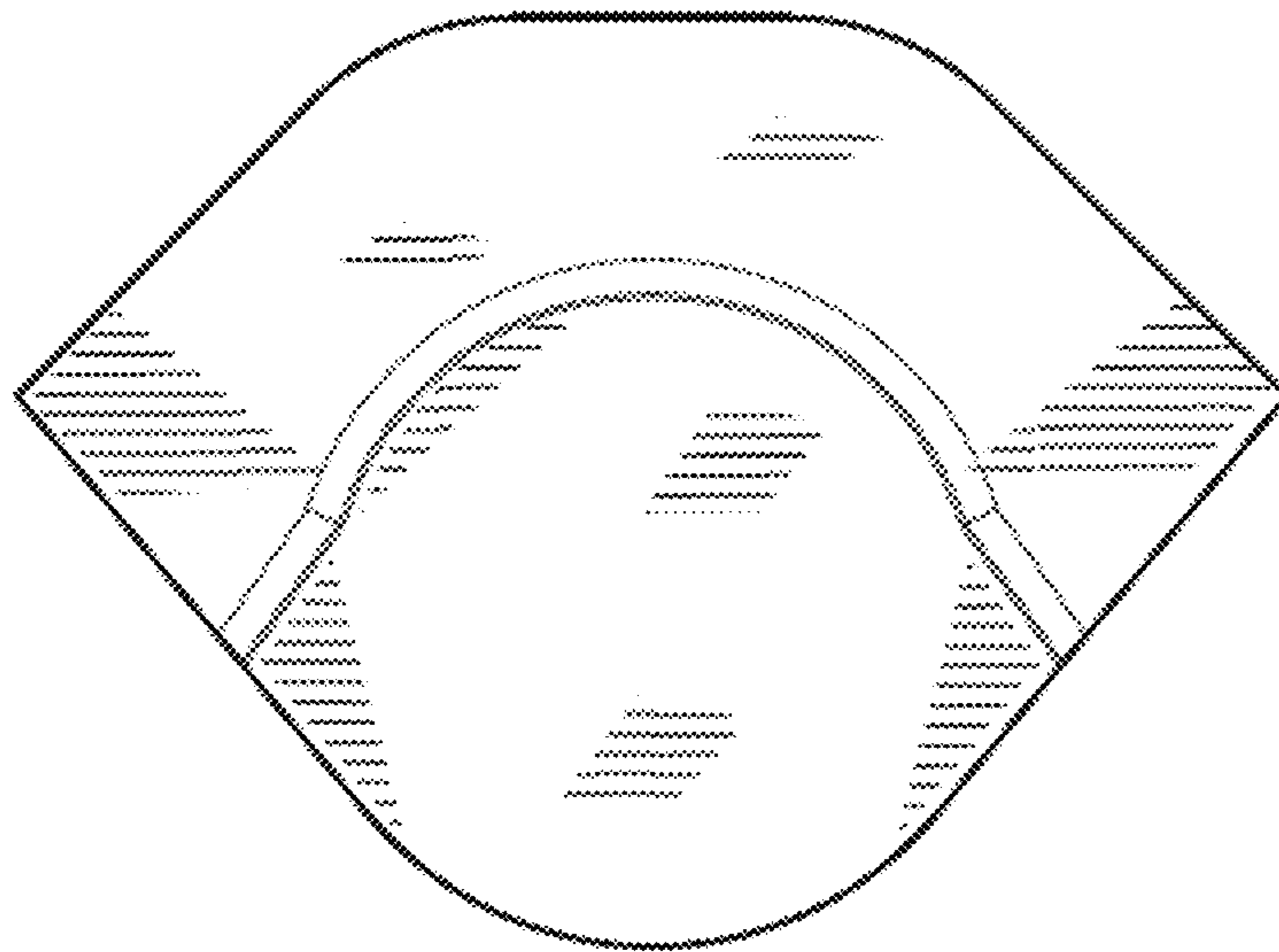


FIG. 6

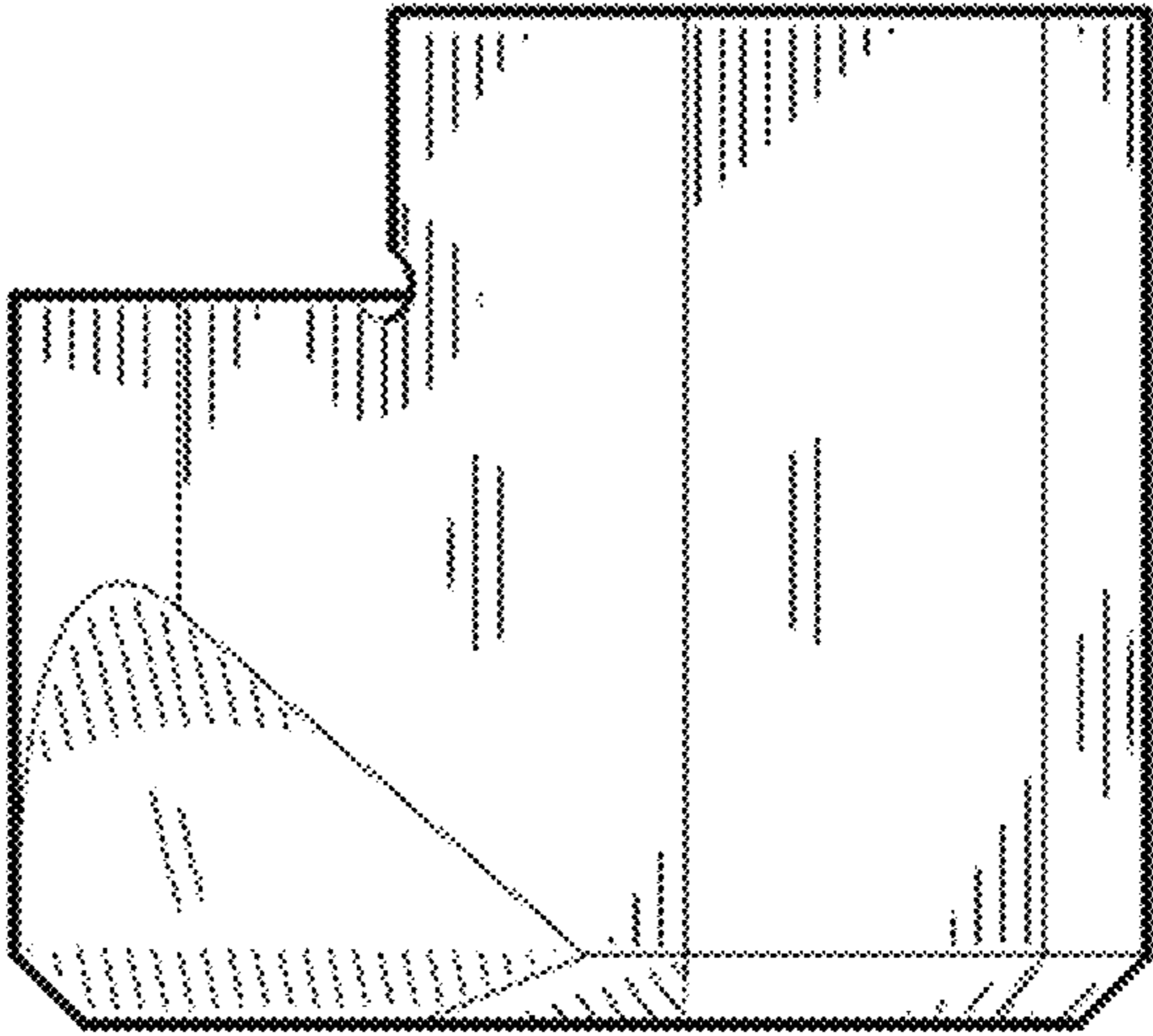


FIG. 7

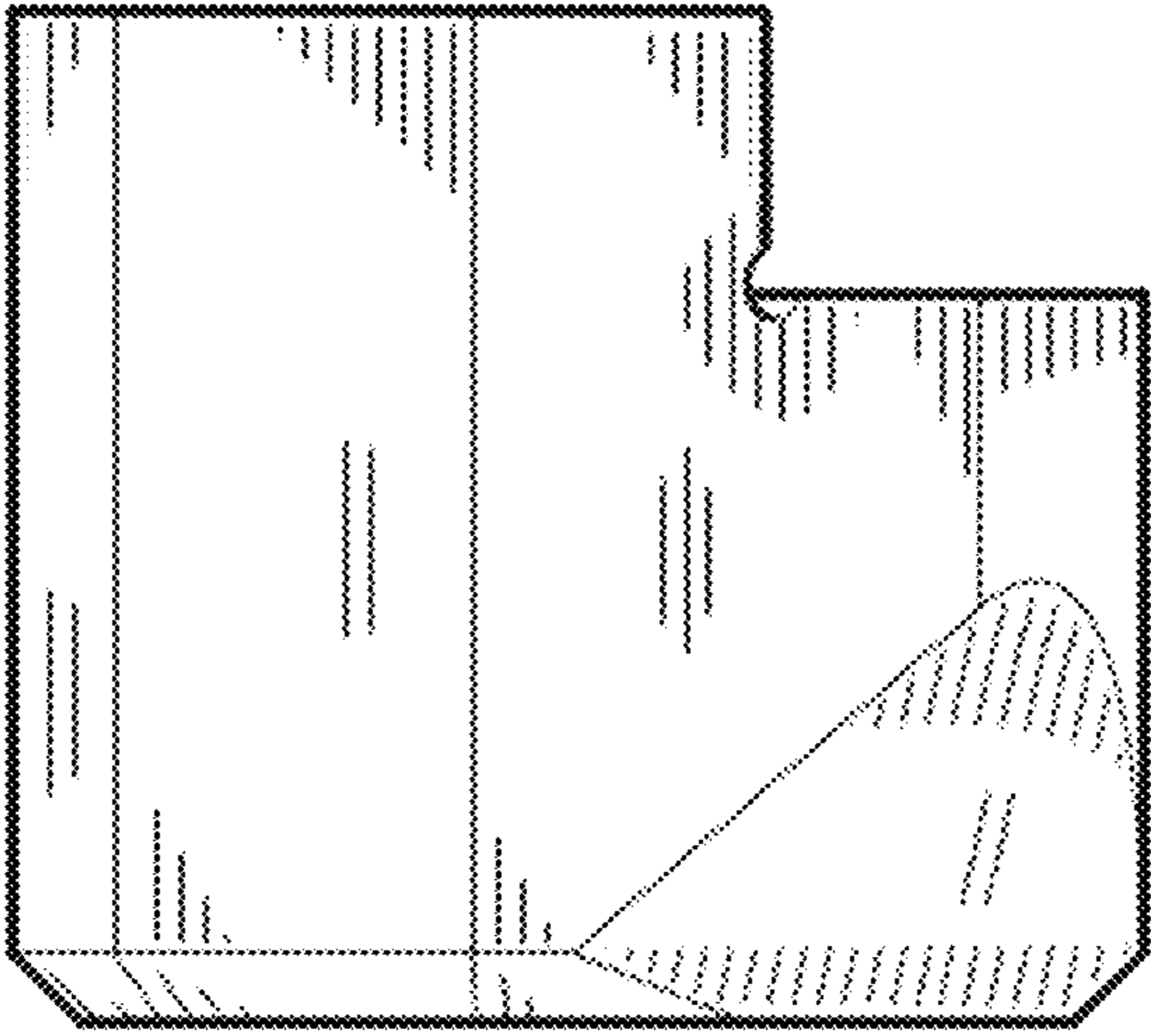


FIG. 8

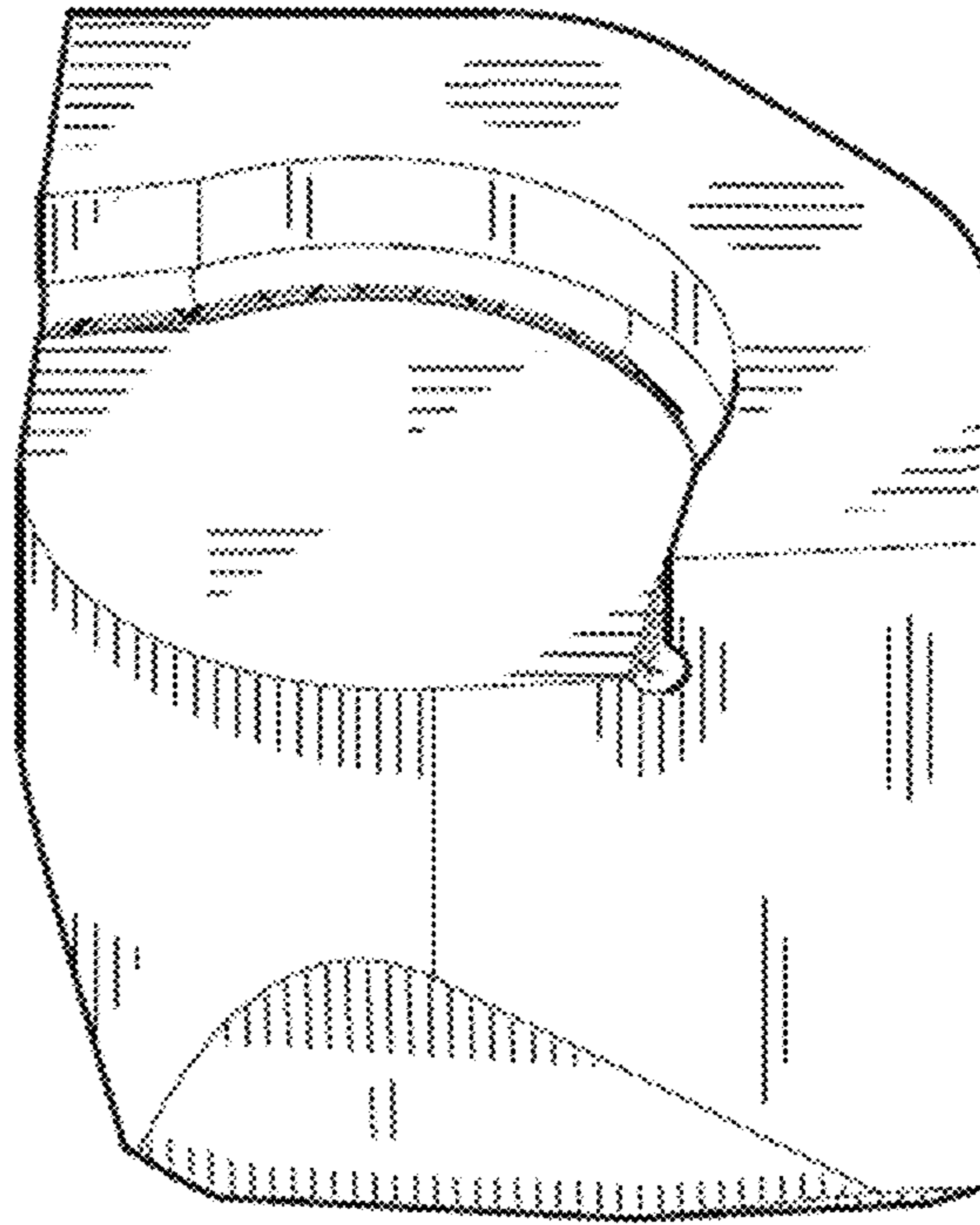


FIG. 9

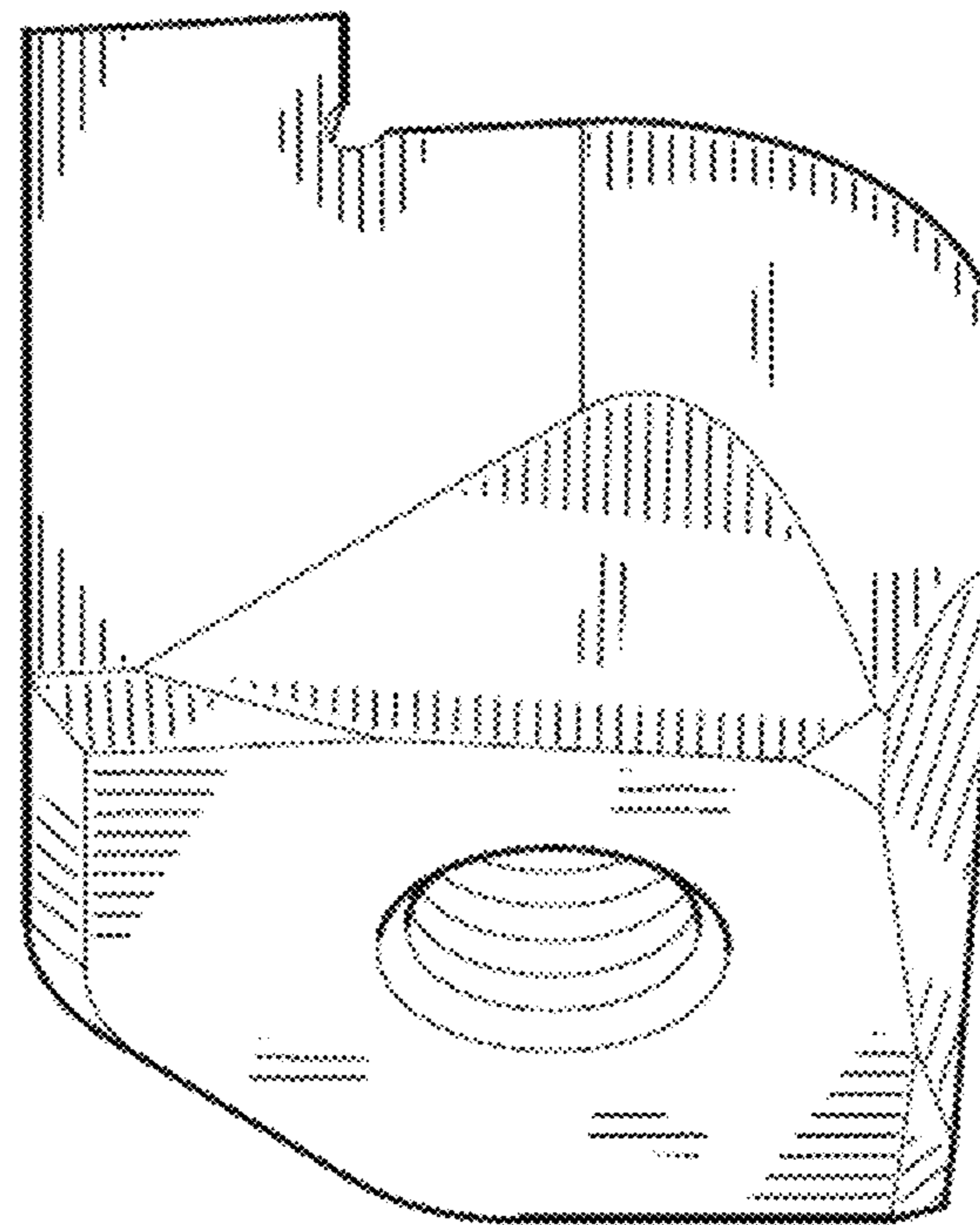


FIG. 10

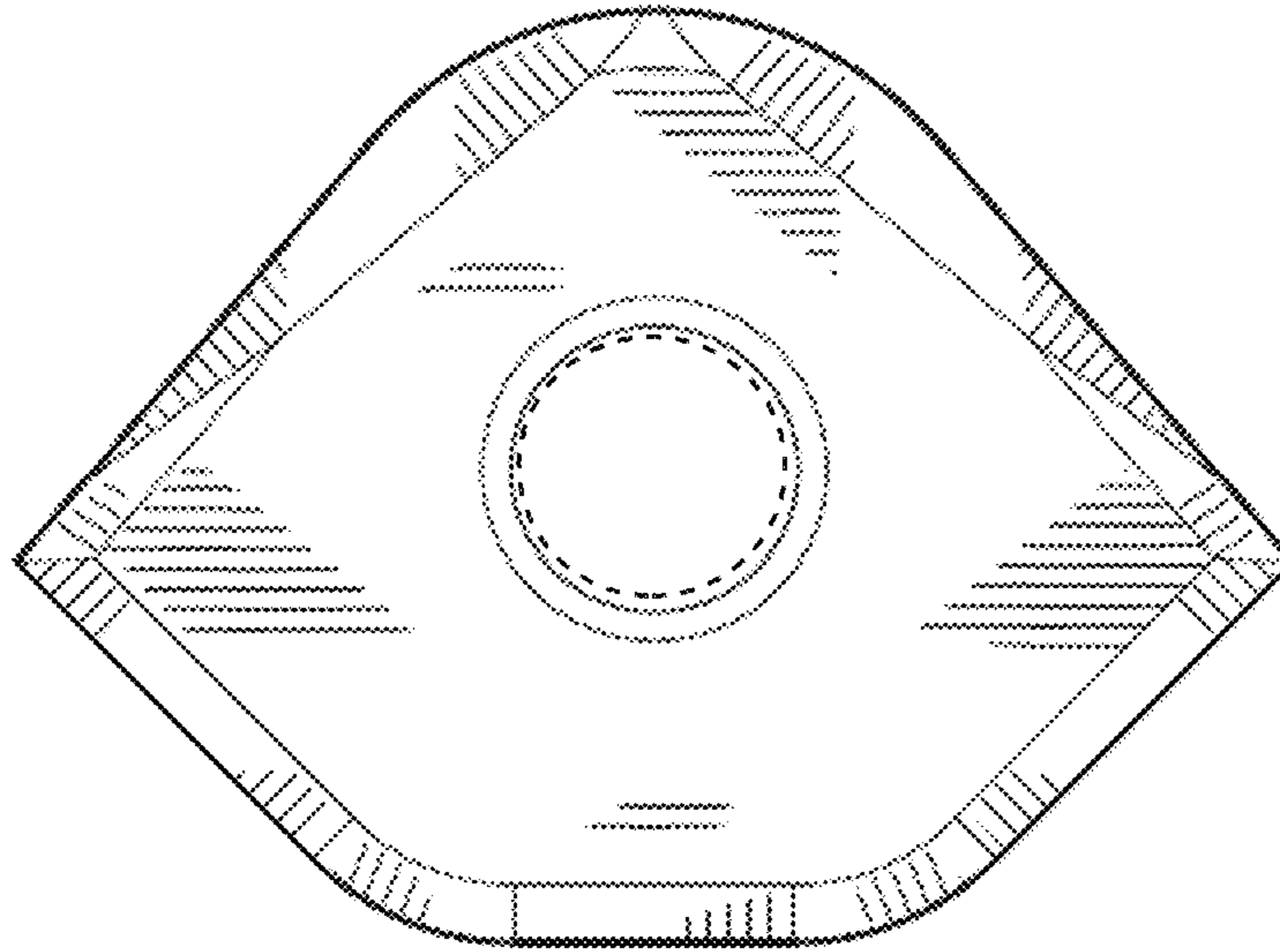


FIG. 11

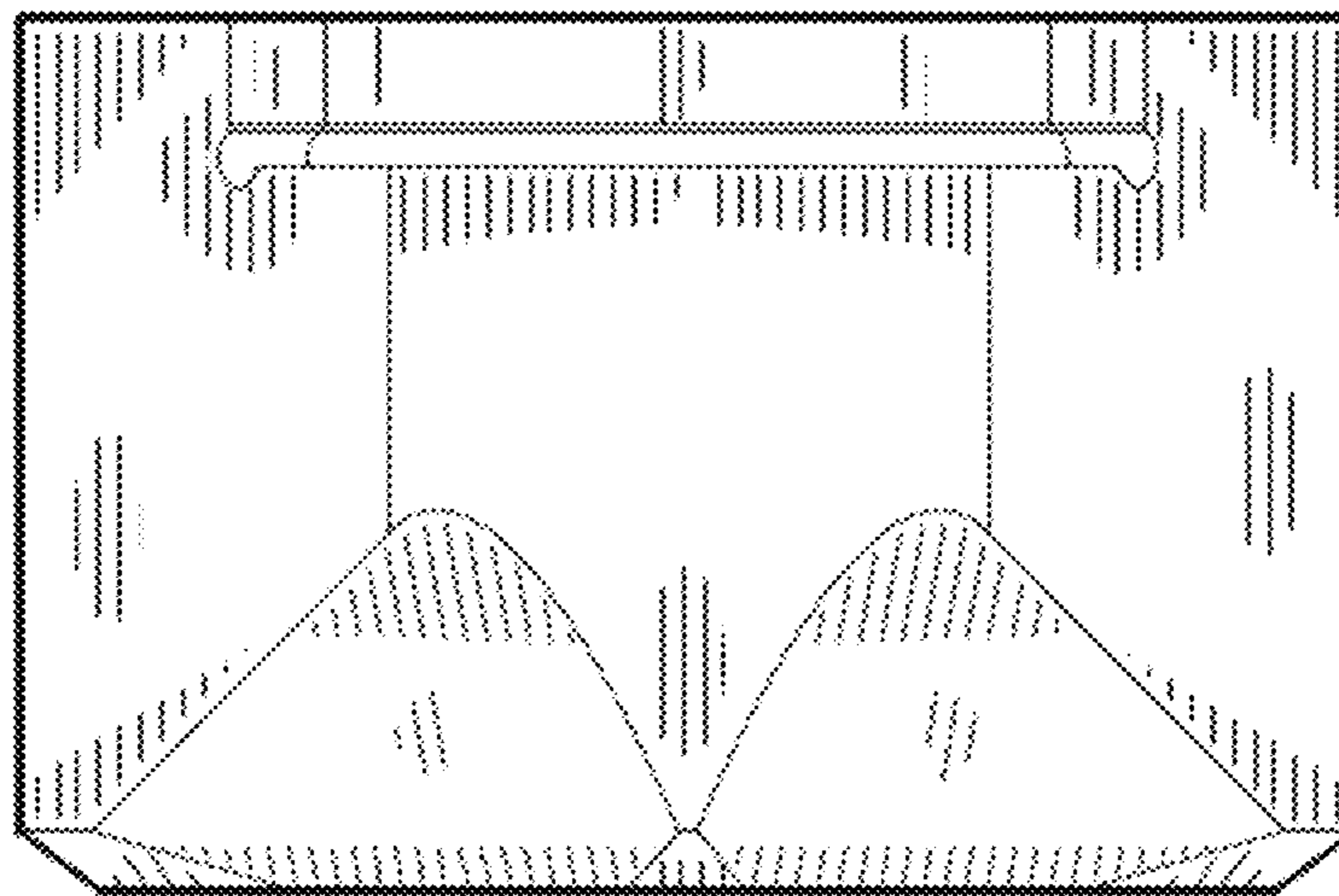


FIG. 12

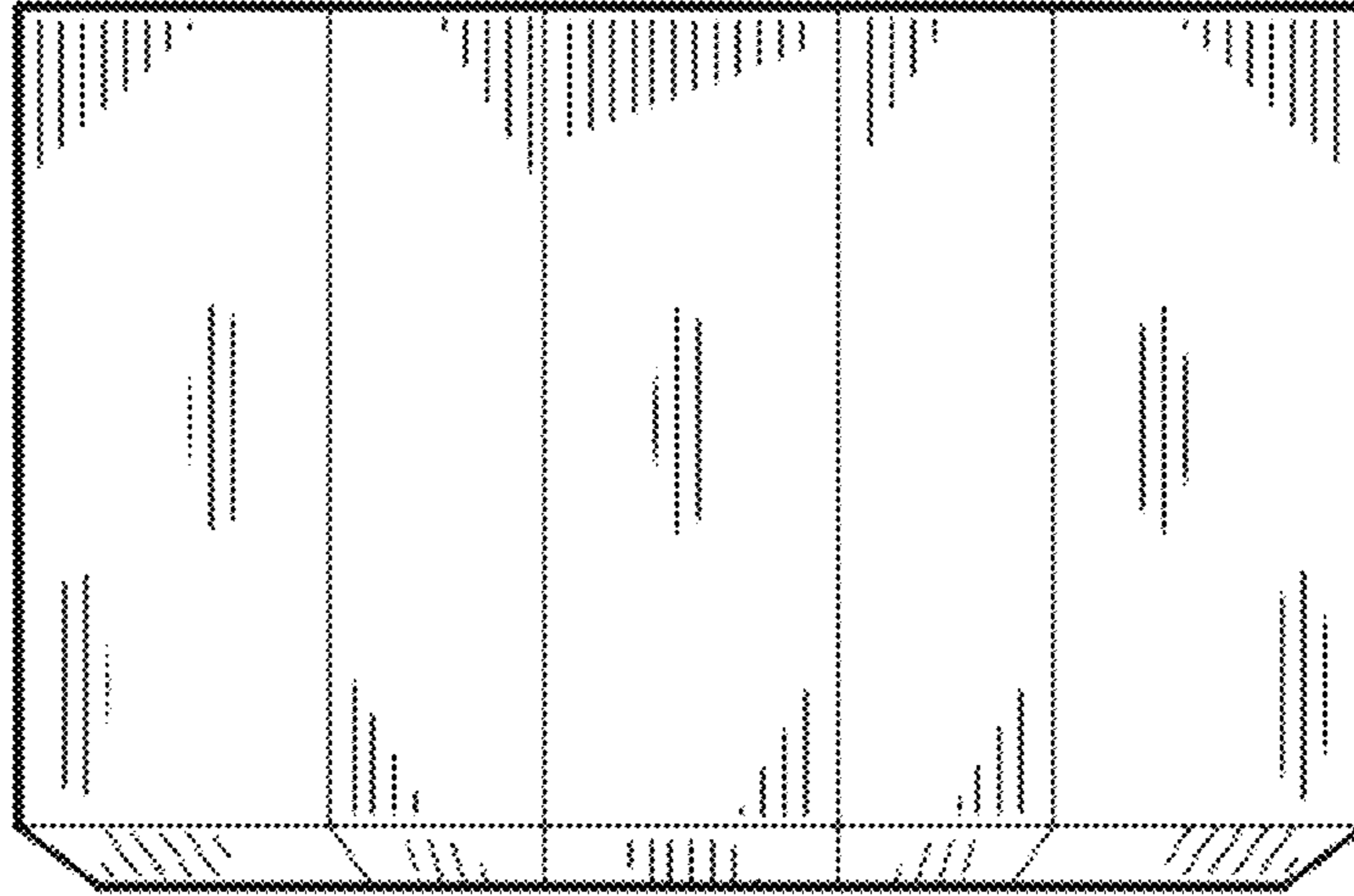


FIG. 13

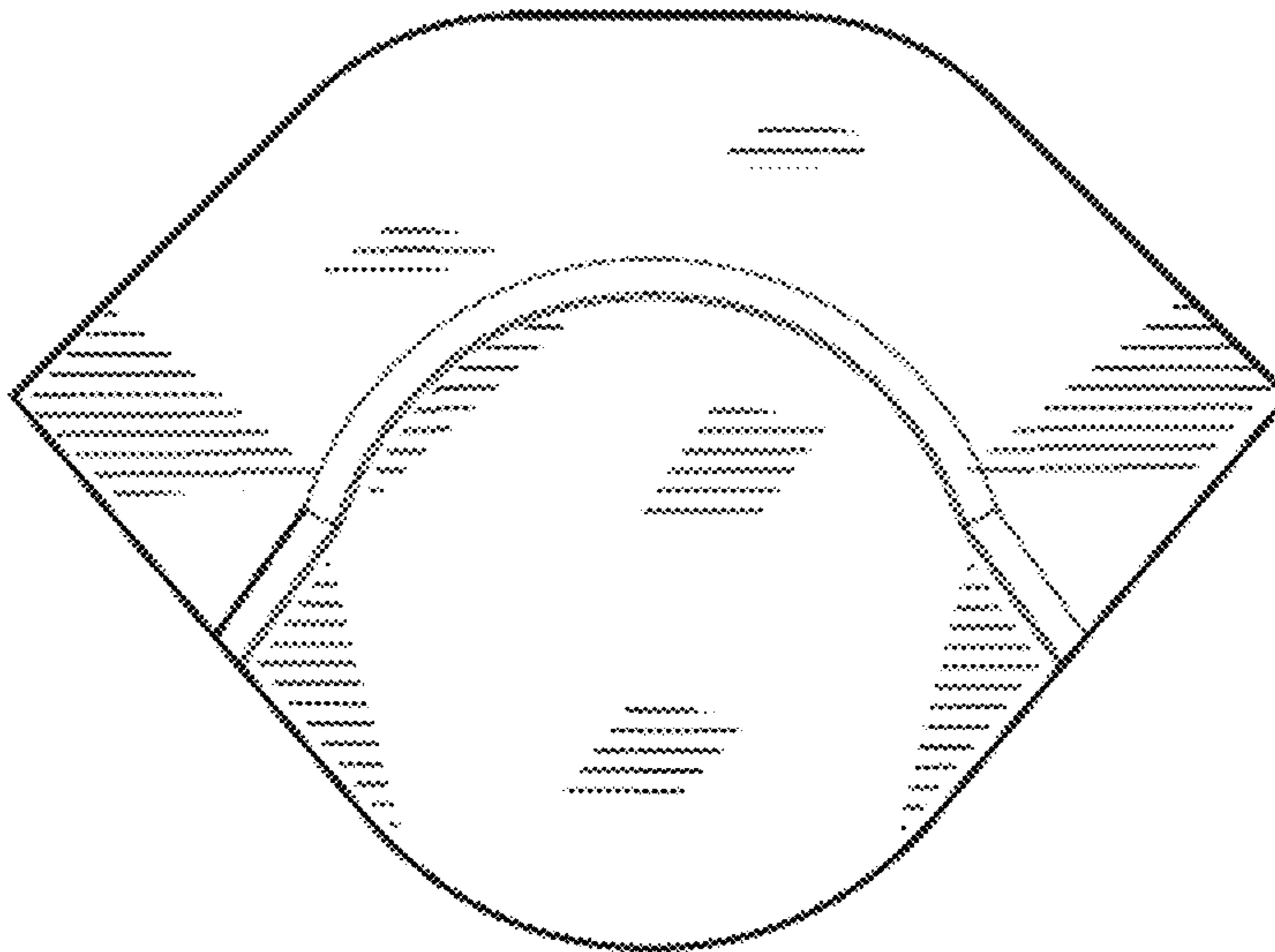


FIG. 14

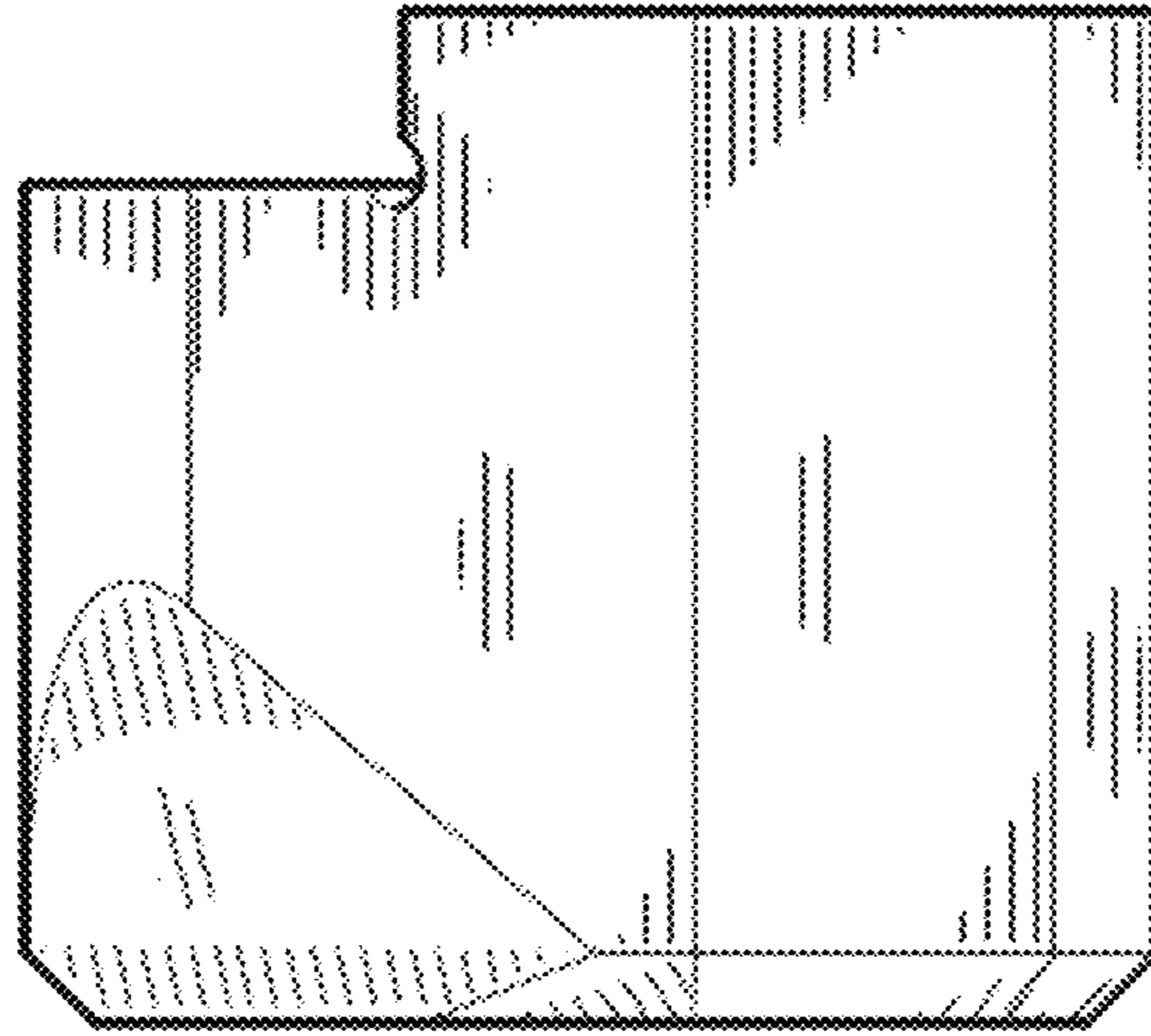


FIG. 15

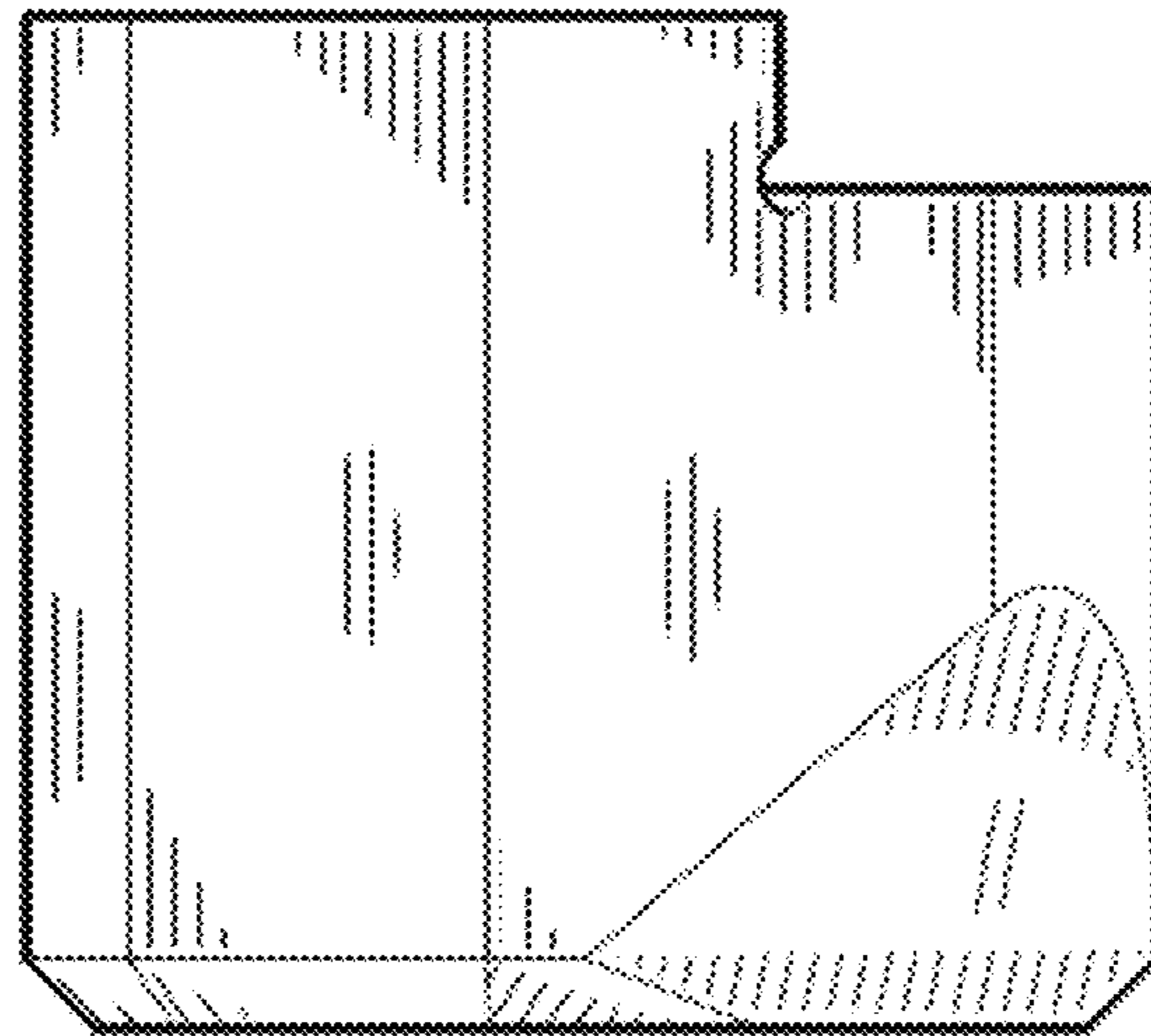


FIG. 16

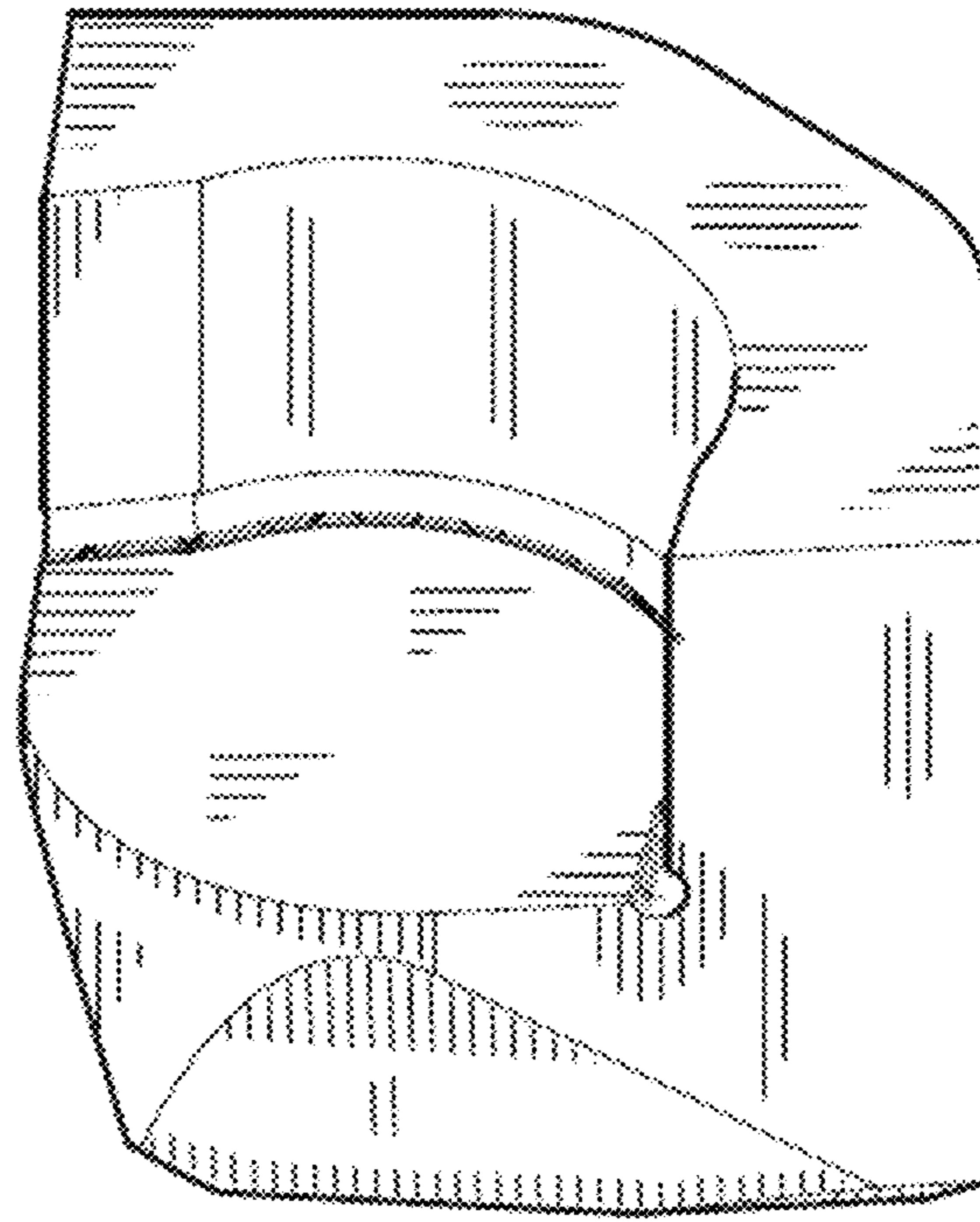


FIG. 17

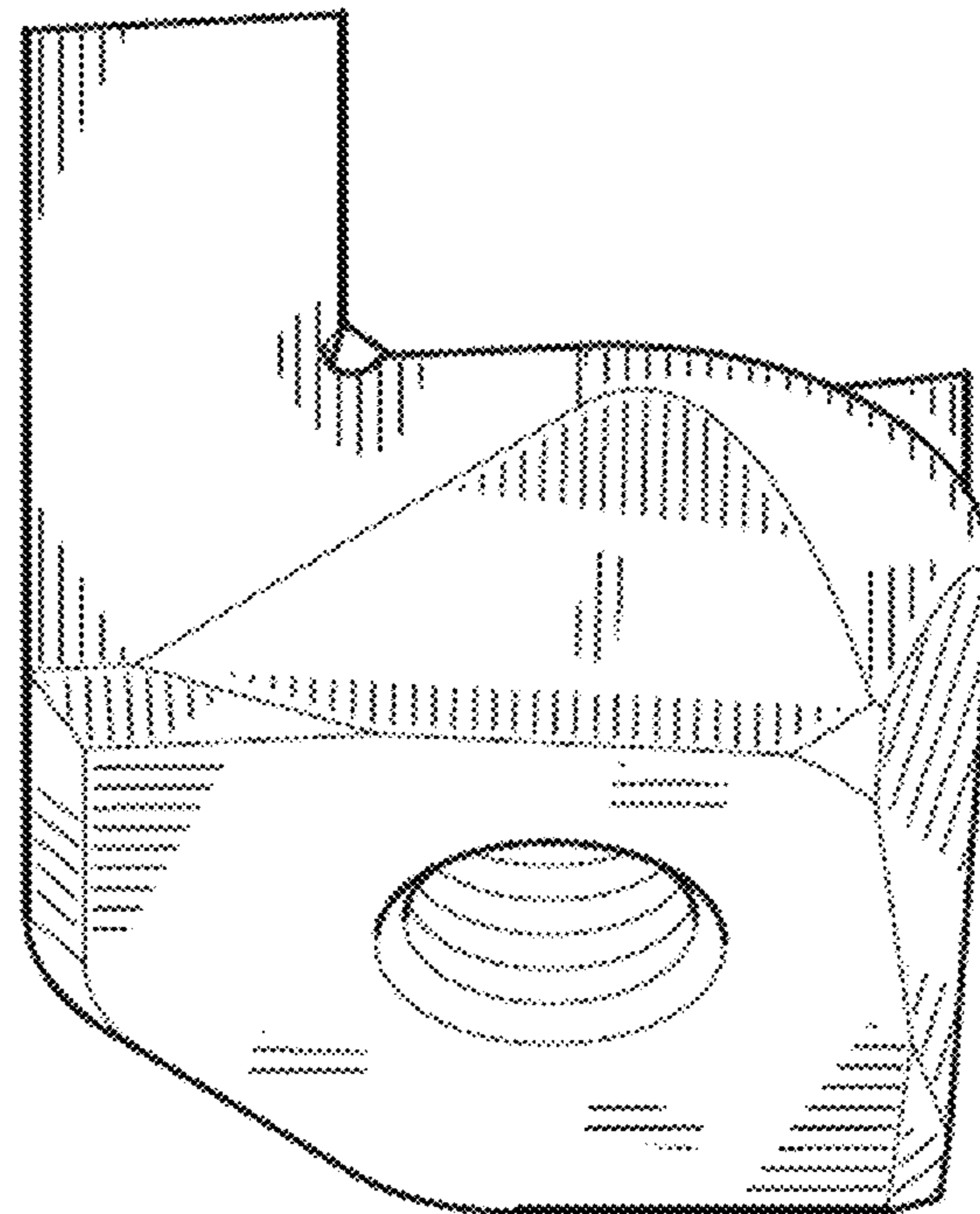


FIG. 18

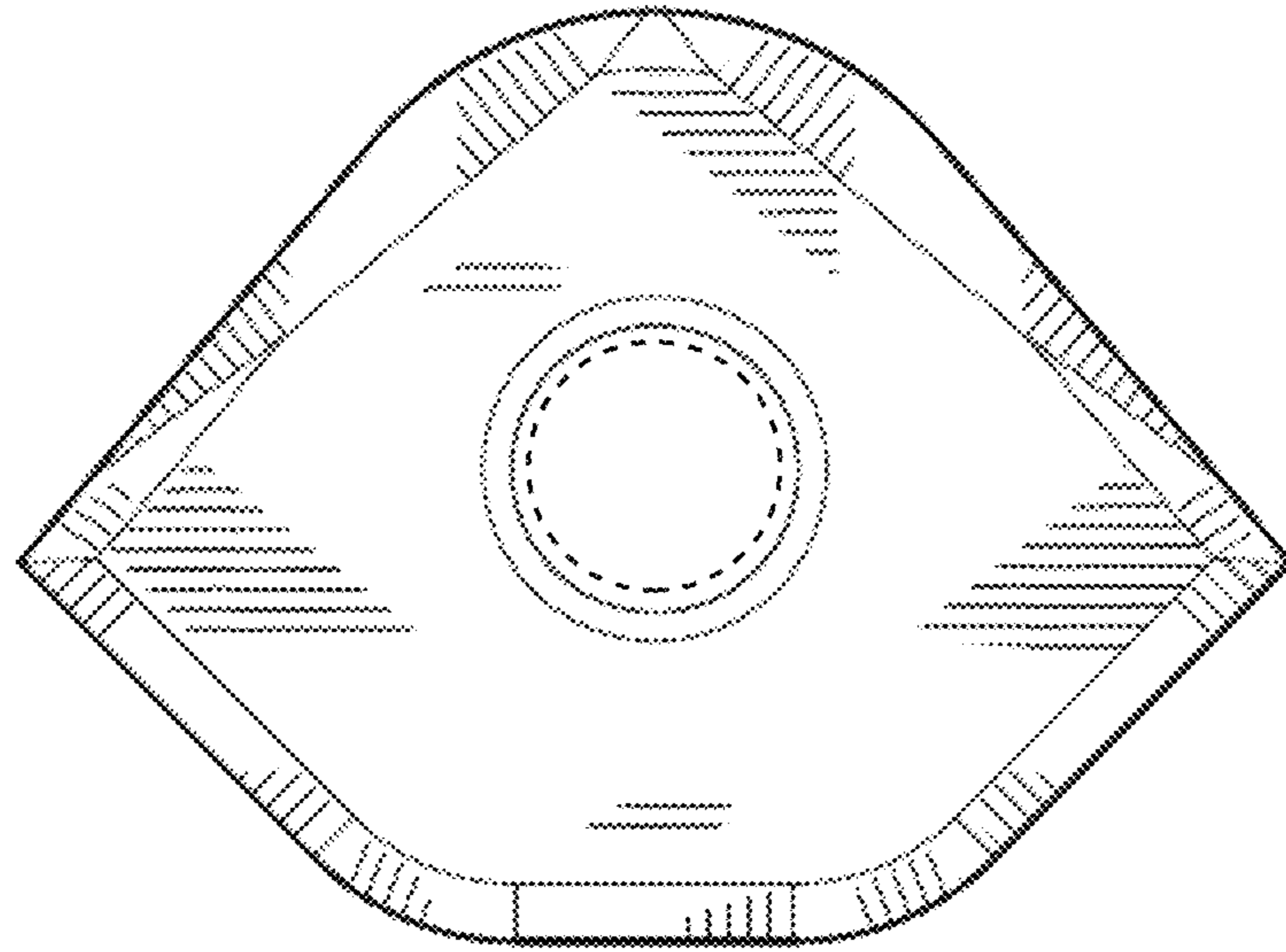


FIG. 19

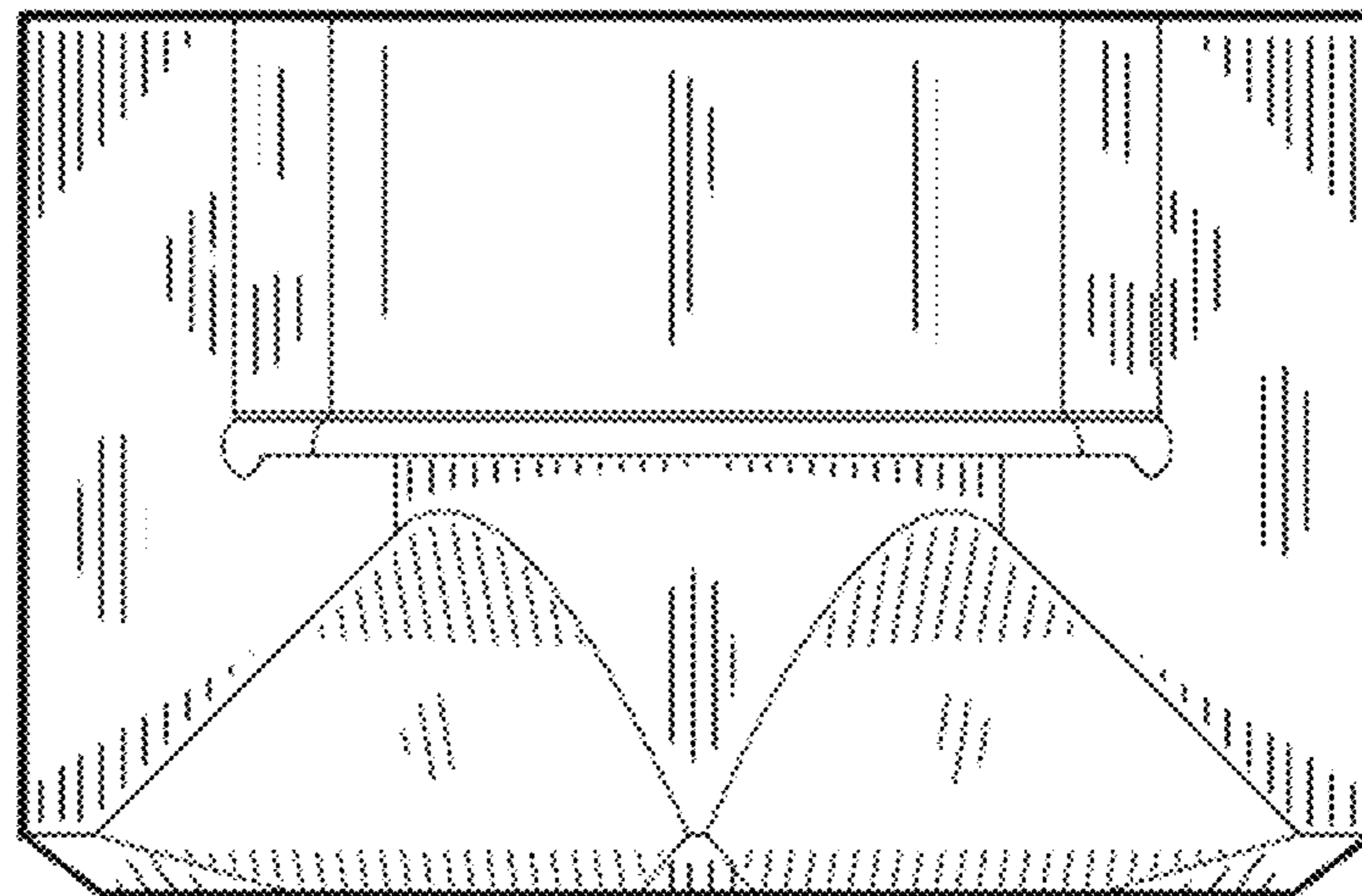


FIG. 20

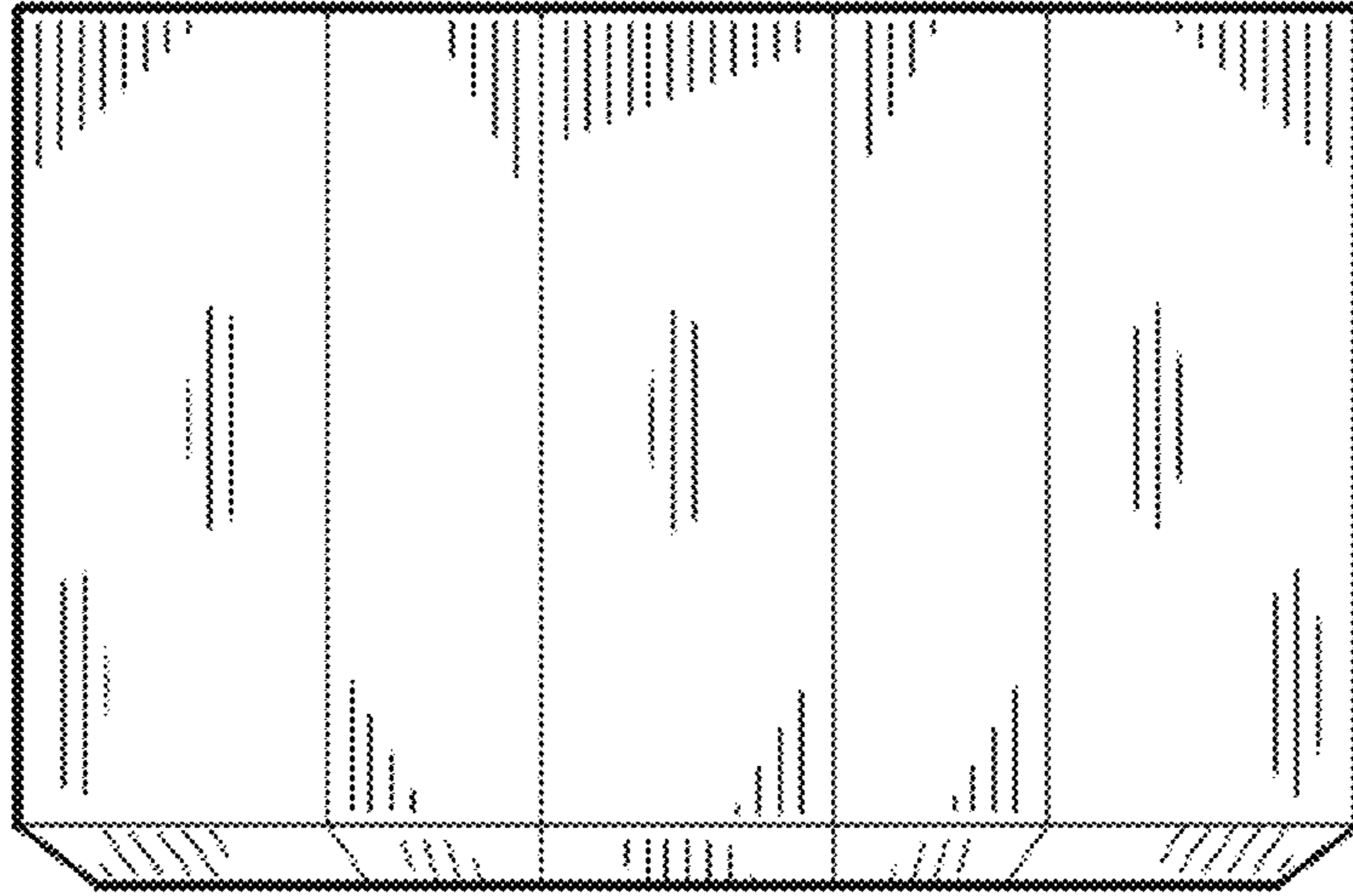


FIG. 21

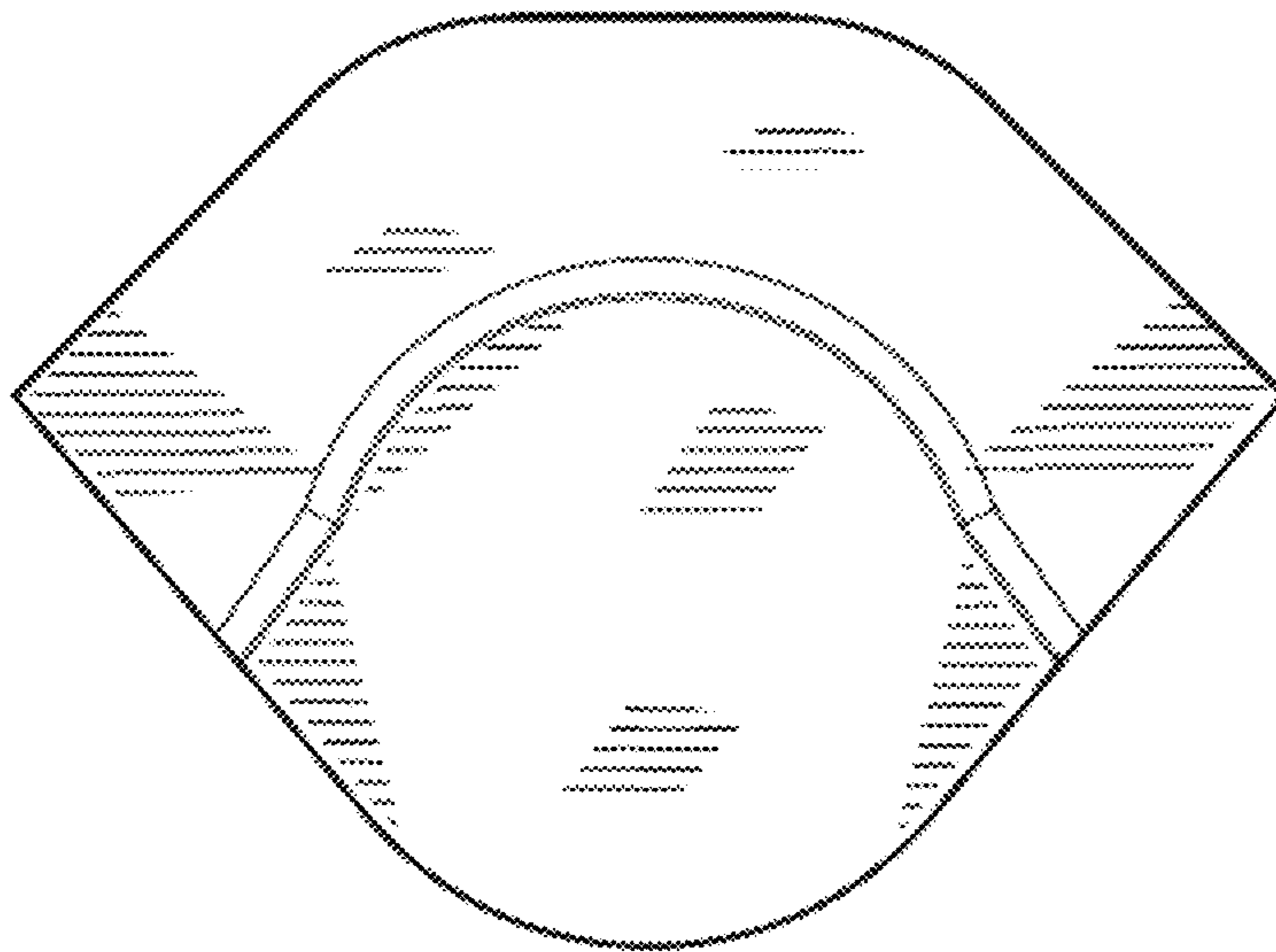


FIG. 22

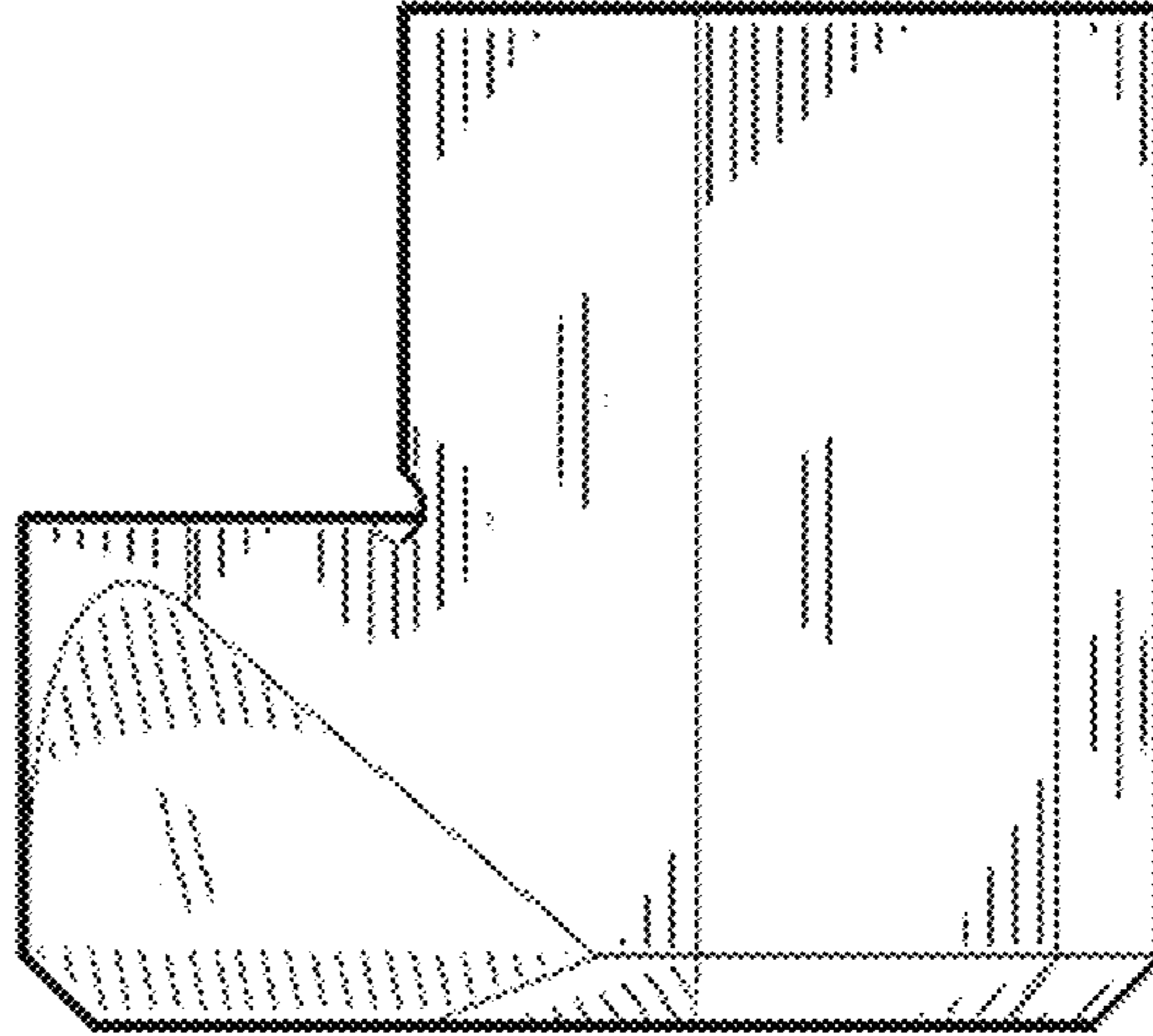


FIG. 23

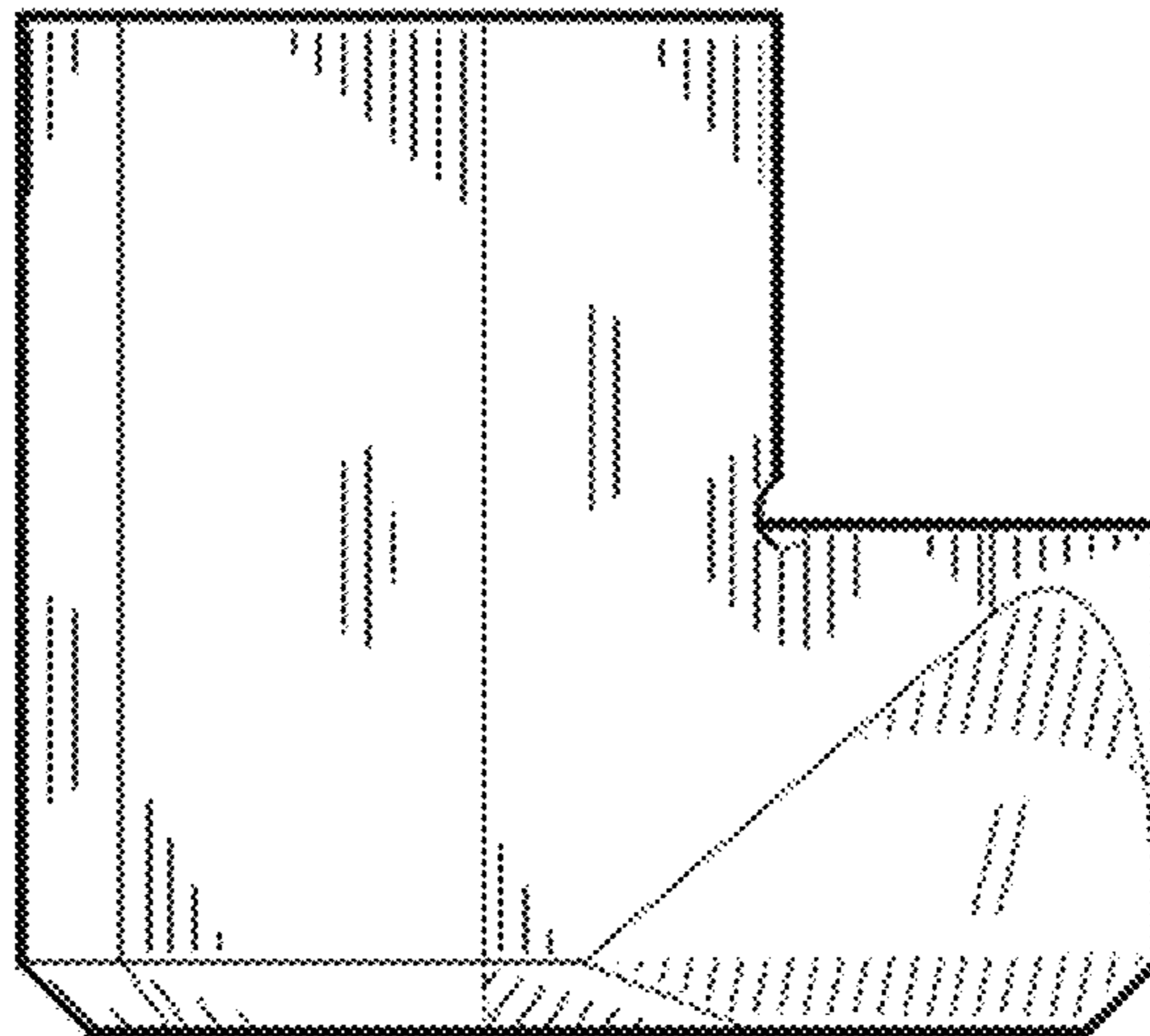


FIG. 24