



US00D982626S

(12) **United States Design Patent**
Wilson, IV et al.

(10) **Patent No.:** **US D982,626 S**
(45) **Date of Patent:** **** Apr. 4, 2023**

- (54) **TUMBLER**
- (71) Applicant: **Idea Vault Holdings, Inc.**, Ashland, OR (US)
- (72) Inventors: **Howard Allen Wilson, IV**, Medford, OR (US); **Joshua J Gedlick**, Ashland, OR (US)
- (**) Term: **15 Years**
- (21) Appl. No.: **29/803,247**
- (22) Filed: **Aug. 11, 2021**
- (51) **LOC (14) Cl.** **15-09**
- (52) **U.S. Cl.**
USPC **D15/124**
- (58) **Field of Classification Search**
USPC D15/122–125; D24/107, 167, 184, D24/231–234, 163, 216, 217, 219; D10/87, 91
CPC B07B 1/46; B07B 1/28; B07B 1/36; B07B 1/48; B07B 2201/04; B07B 2230/01; B24B 31/00; B24B 31/02; B02C 17/02; B02C 17/20; B02C 23/16
See application file for complete search history.

- 3,861,654 A * 1/1975 Singleton B24B 31/02 220/213
- 4,045,918 A * 9/1977 Freedman B24B 31/027 451/328
- 4,206,573 A * 6/1980 Hayward B24B 31/027 451/328

(Continued)

FOREIGN PATENT DOCUMENTS

- CN 301948246 S 6/2011
- CN 301982100 S 7/2012

(Continued)

OTHER PUBLICATIONS

Syahro, Rock Tumbler Kit with Rough Gemstones, 4 Polishing Grits, (site visited Oct. 5, 2022), Amazon.com, URL:<<https://www.amazon.com/dp/B09YM4HDJD>> (Year: 2022).*

(Continued)

Primary Examiner — Calvin E Vansant
Assistant Examiner — Mark T. Philipps
(74) *Attorney, Agent, or Firm* — Salpi Dunlap

(57) **CLAIM**

We claim the ornamental design for a tumbler, as shown and described.

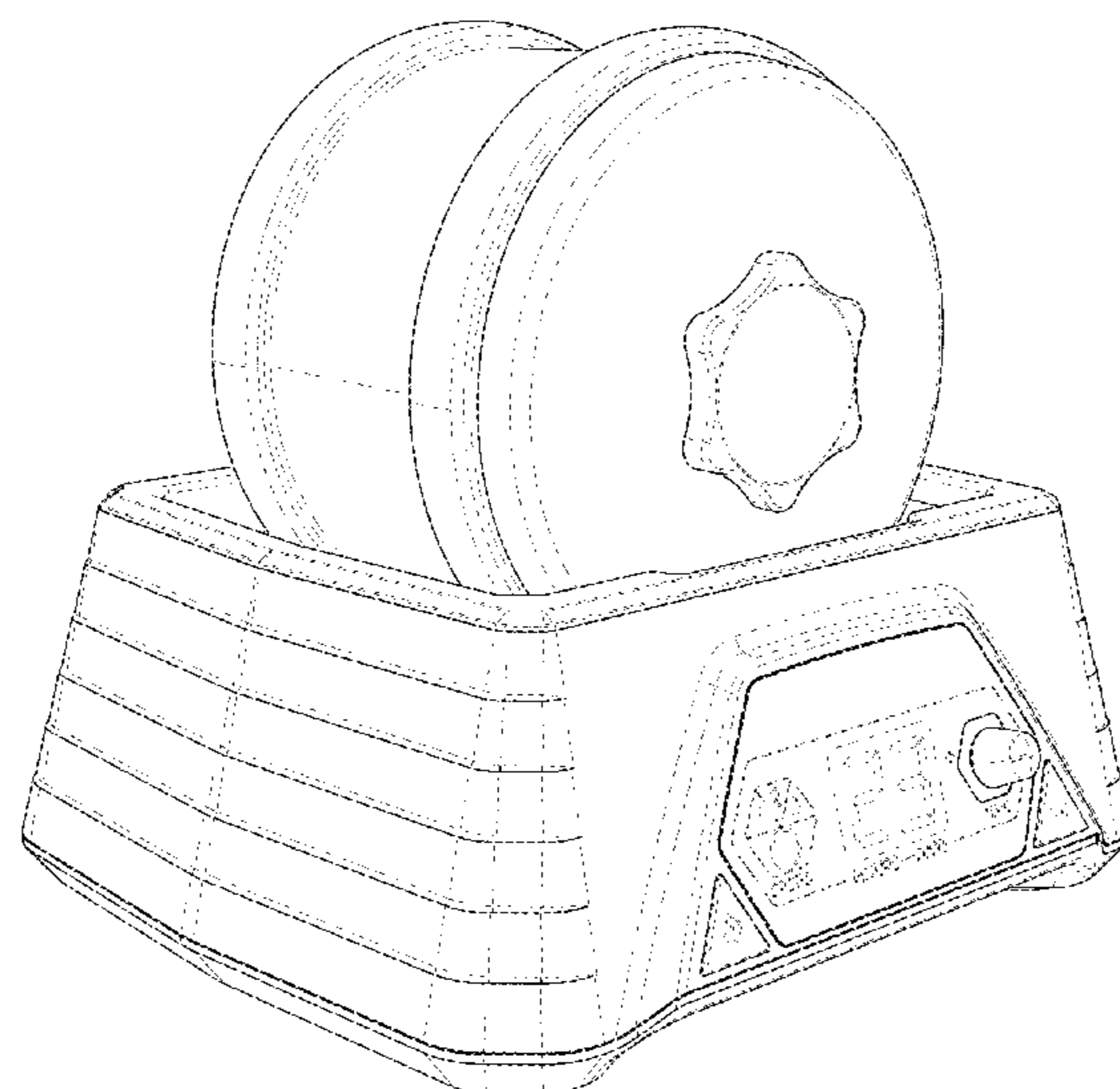
DESCRIPTION

FIG. 1 is a front perspective view of the tumbler; FIG. 2 is a top plan view thereof; FIG. 3 is a bottom plan view thereof; FIG. 4 is a front view thereof; FIG. 5 is a right side view thereof; FIG. 6 is a left side view thereof; and, FIG. 7 is a rear view thereof. The broken lines represent environmental structure only and form no part of the claimed design.

1 Claim, 7 Drawing Sheets

(56) **References Cited**
U.S. PATENT DOCUMENTS

- 105,711 A * 7/1870 Miller B24B 31/02 451/328
- 268,180 A * 11/1882 Butterfield B24B 31/02 451/328
- 295,867 A * 3/1884 Griffin B24B 31/02 285/190
- 1,508,345 A * 9/1924 Lupo, Jr. B24B 31/02 451/328
- 1,946,440 A * 2/1934 Herrmann B24B 31/02 366/228
- 2,939,455 A * 6/1960 Arnold A61H 15/0078 601/127
- 3,380,670 A * 4/1968 Beudin B02C 17/18 241/170



(56)

References Cited

U.S. PATENT DOCUMENTS

T101,801 I4 * 5/1982 Bierschbach 33/562
 4,580,740 A * 4/1986 Fauser B65H 18/20
 242/541.6
 5,586,925 A * 12/1996 DiNorcia, Sr. B24B 1/007
 451/328
 6,254,466 B1 * 7/2001 Mucciacciaro B24B 31/02
 451/328
 9,156,709 B2 10/2015 Shallcross
 D757,136 S * 5/2016 Yu D15/124
 9,421,664 B1 * 8/2016 Yu B24B 31/02
 D868,125 S * 11/2019 Shu D15/144
 D914,906 S 3/2021 Klein
 D917,063 S 4/2021 Ong
 D923,199 S 6/2021 Luther
 D940,763 S * 1/2022 Zhao D15/124
 D964,593 S 9/2022 Grimmel
 2008/0296162 A1 * 12/2008 Shallcross A61N 2/12
 204/660
 2020/0391339 A1 12/2020 Gedlick
 2020/0391340 A1 12/2020 Gedlick
 2021/0260717 A1 * 8/2021 Gedlick B24B 31/02

FOREIGN PATENT DOCUMENTS

CN 304073644 * 3/2017
 CN 304073644 S 3/2017
 CN 304073646 * 3/2017
 CN 304073646 S 3/2017
 CN 306374463 S 3/2021
 CN 306604369 S 6/2021
 CN 306638442 S 6/2021

CN 306648318 S 6/2021
 CN 306985282 S 12/2021
 CN 307119758 S 2/2022
 CN 307181808 S 3/2022
 GB 6179994 S 12/2021
 GB 6179995 S 12/2021

OTHER PUBLICATIONS

Rachel M., "Quiet" Review for Dan and Darci Advanced Professional Rock Tumbler Kit, (review posted Aug. 15, 2019), Amazon.com, URL:<https://www.amazon.com/gp/customer-reviews/R3YY5S62O4DY7?ref=va_cr_lb> (Year: 2019).*

Ezvid Wiki, The 10 Best Rock Tumblers, (posted Oct. 10, 2020), Wiki.ezvid.com website, URL:<<https://wiki.ezvid.com/best-rock-tumblers>> (Year: 2020).*

National Geographic, Hobby Rock Tumbler Kit, (first available Nov. 1, 2018), Amazon.com, URL:<<https://www.amazon.com/dp/B07G9MWHGJ>> (Year: 2018).*

National Geographic Professional Rock Tumbling Kit, Amazon.com printout retrieved on Dec. 7, 2022 from <https://a.co/d/8hWmSFy>.

National Geographic Rock Tumbling Kit, Amazon.com printout retrieved on Dec. 7, 2022 from <https://a.co/d/052UPLB>.

National Geographic Starter Rock Tumbler Kit, Amazon.com printout retrieved on Dec. 7, 2022 from <https://a.co/d/cf8iwkY>.

National Geographic Hobby Rock Tumbler Kit, Amazon.com printout retrieved on Dec. 7, 2022 from https://www.amazon.com/dp/B07G9MWHGJ?ref=myi_title_dp.

Nature Bound Starter Rock Tumbler Kit, Amazon printout retrieved on Jan. 19, 2023 from <https://a.co/d/7PxOoiW>.

* cited by examiner

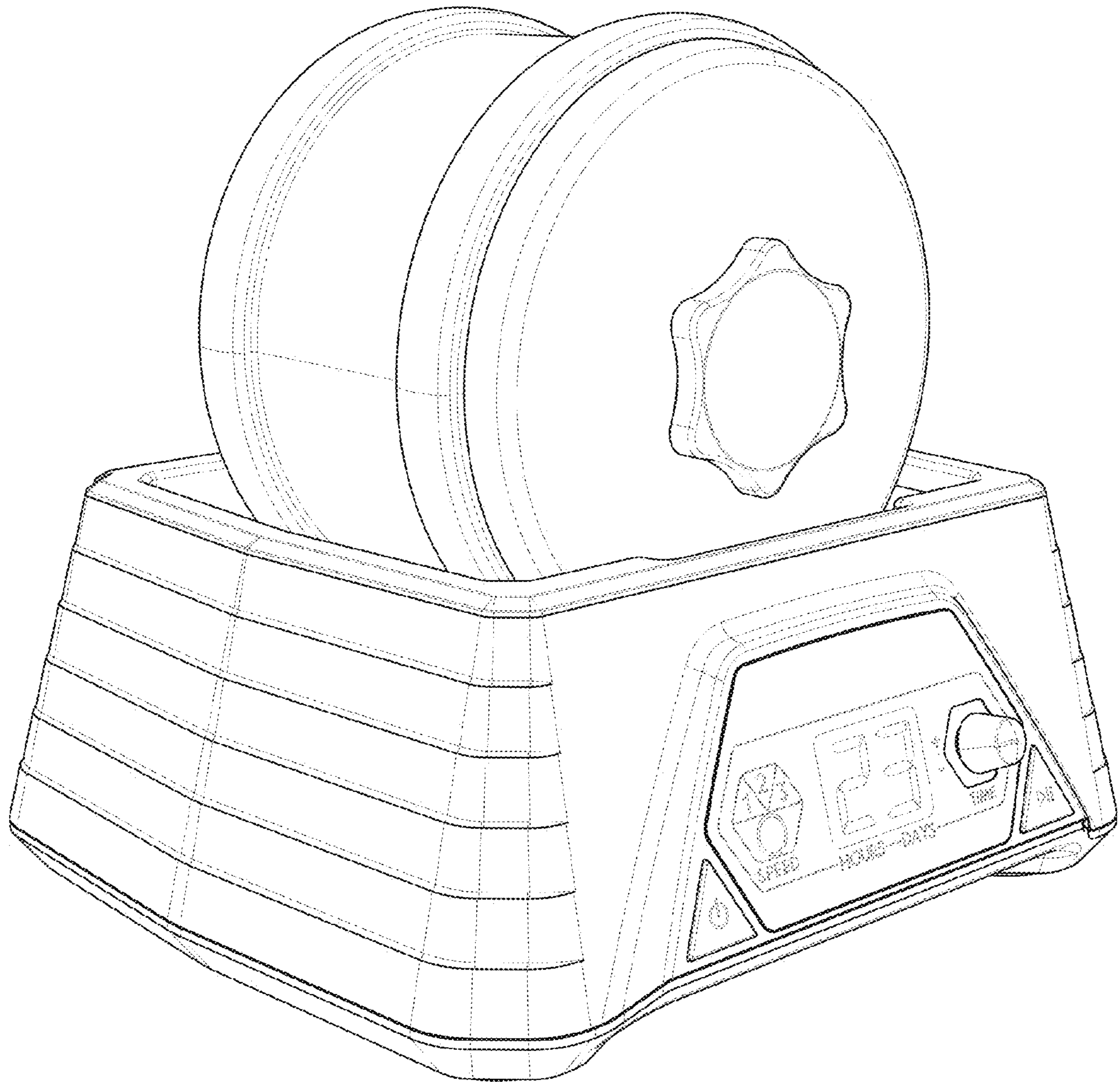


Fig. 1

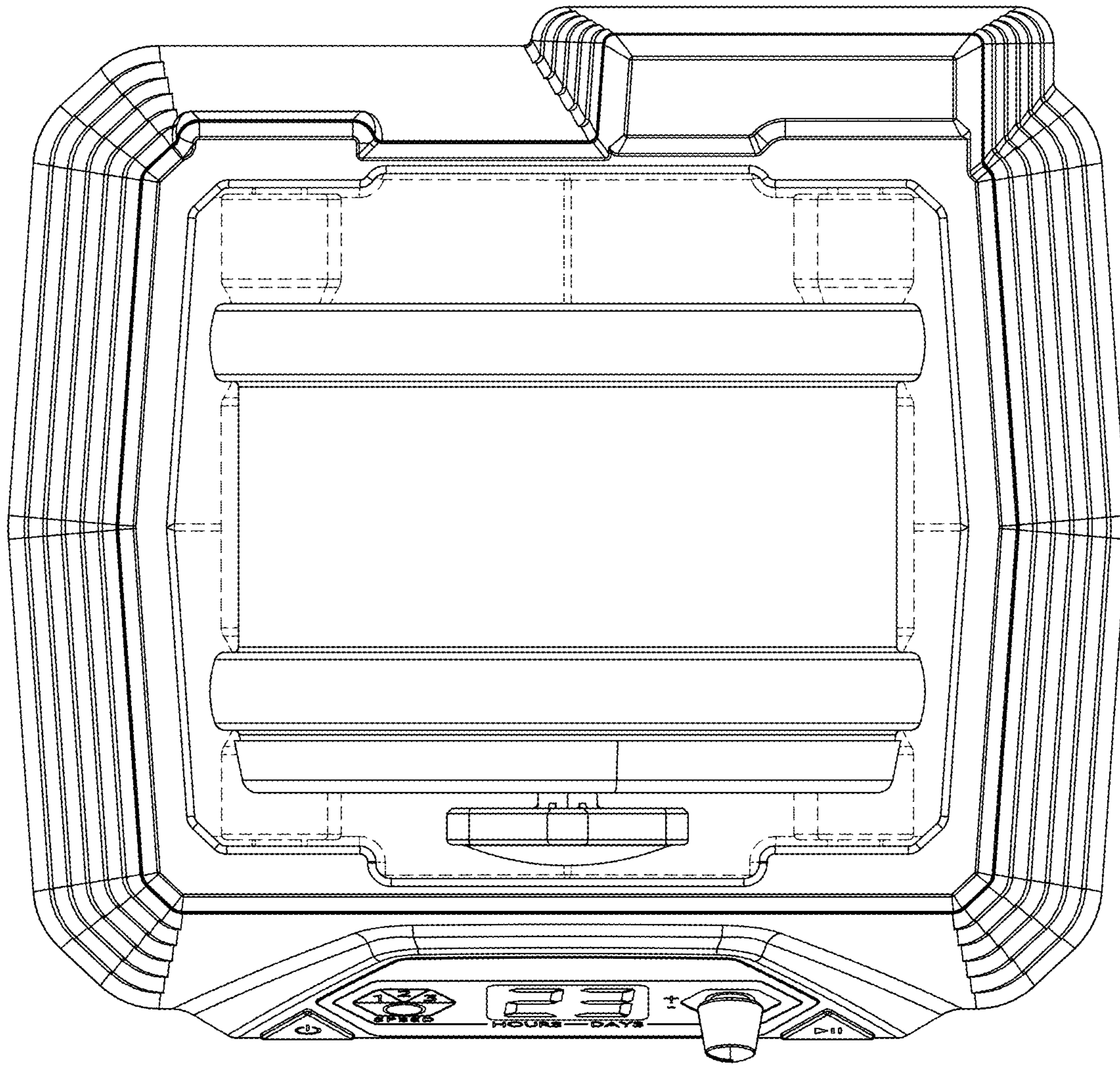


Fig. 2

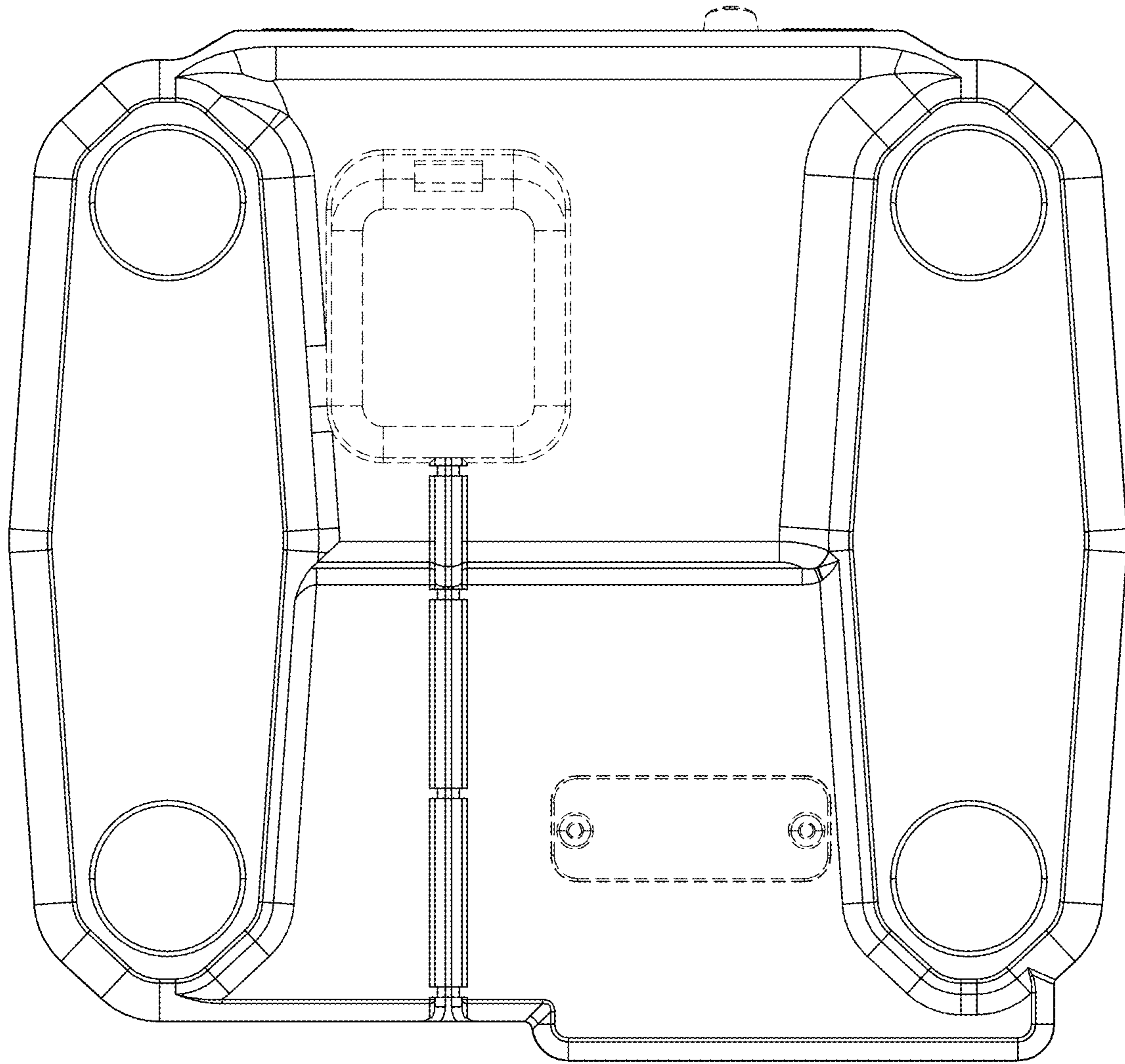


Fig. 3

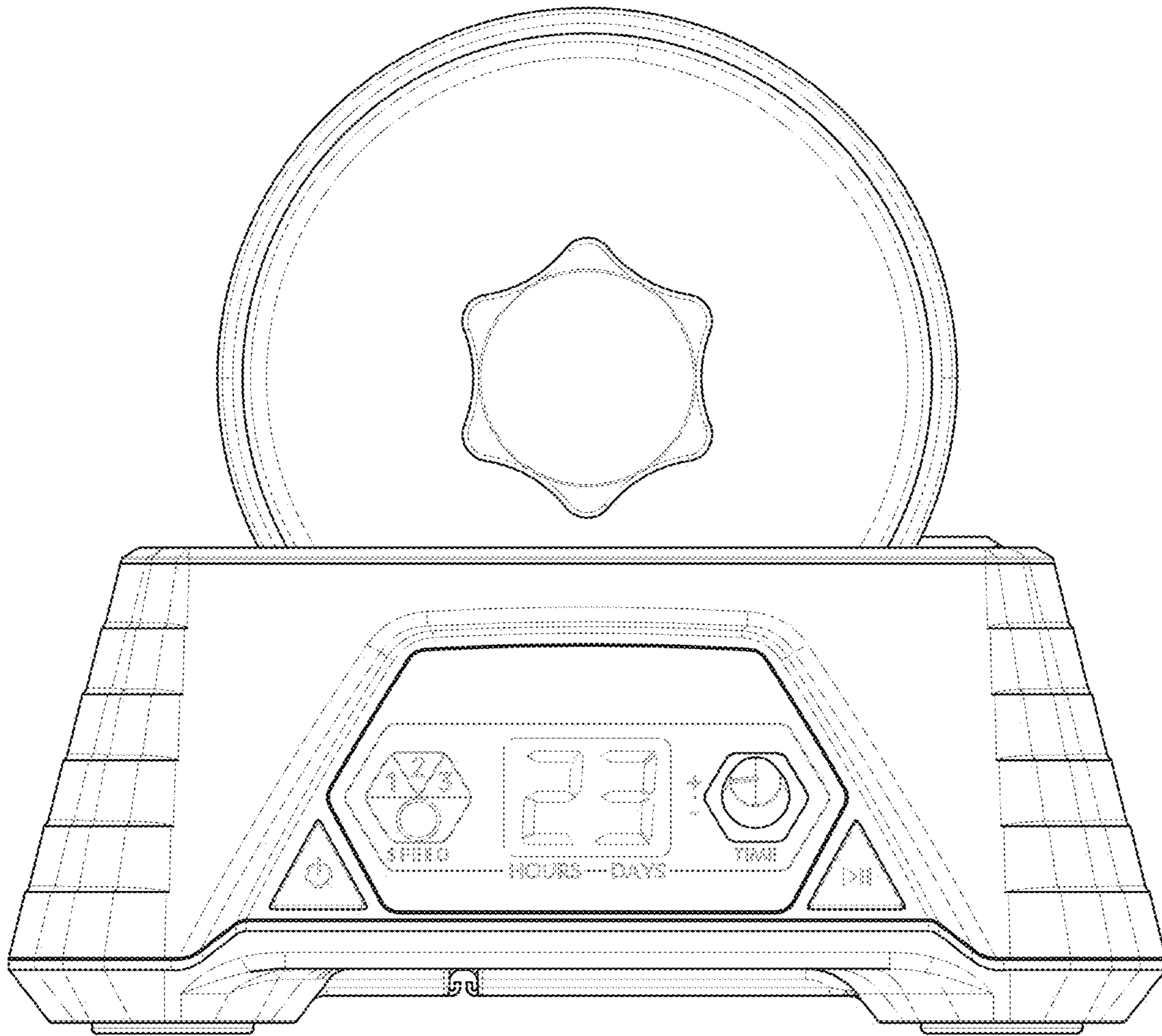


Fig. 4

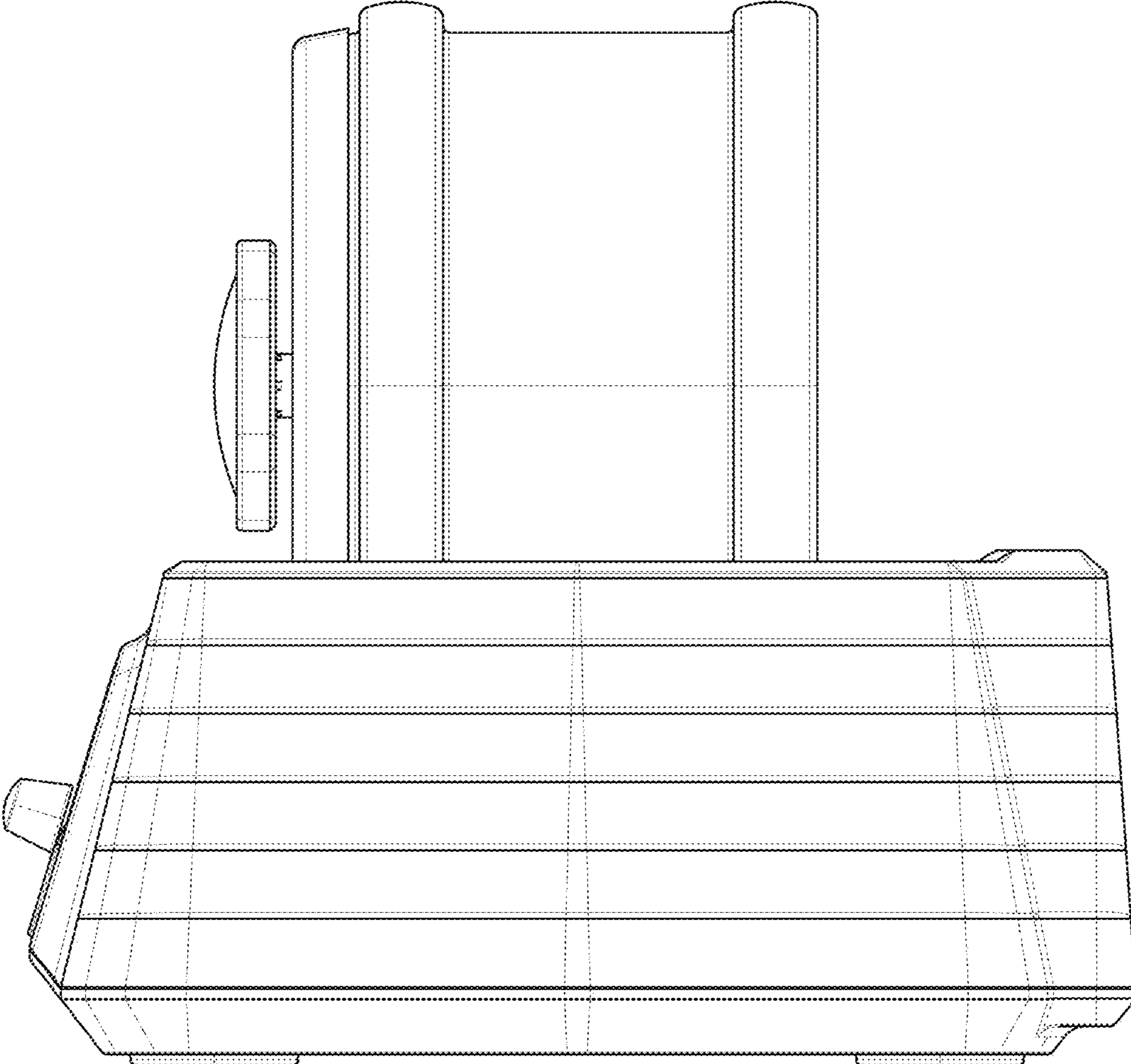


Fig. 5

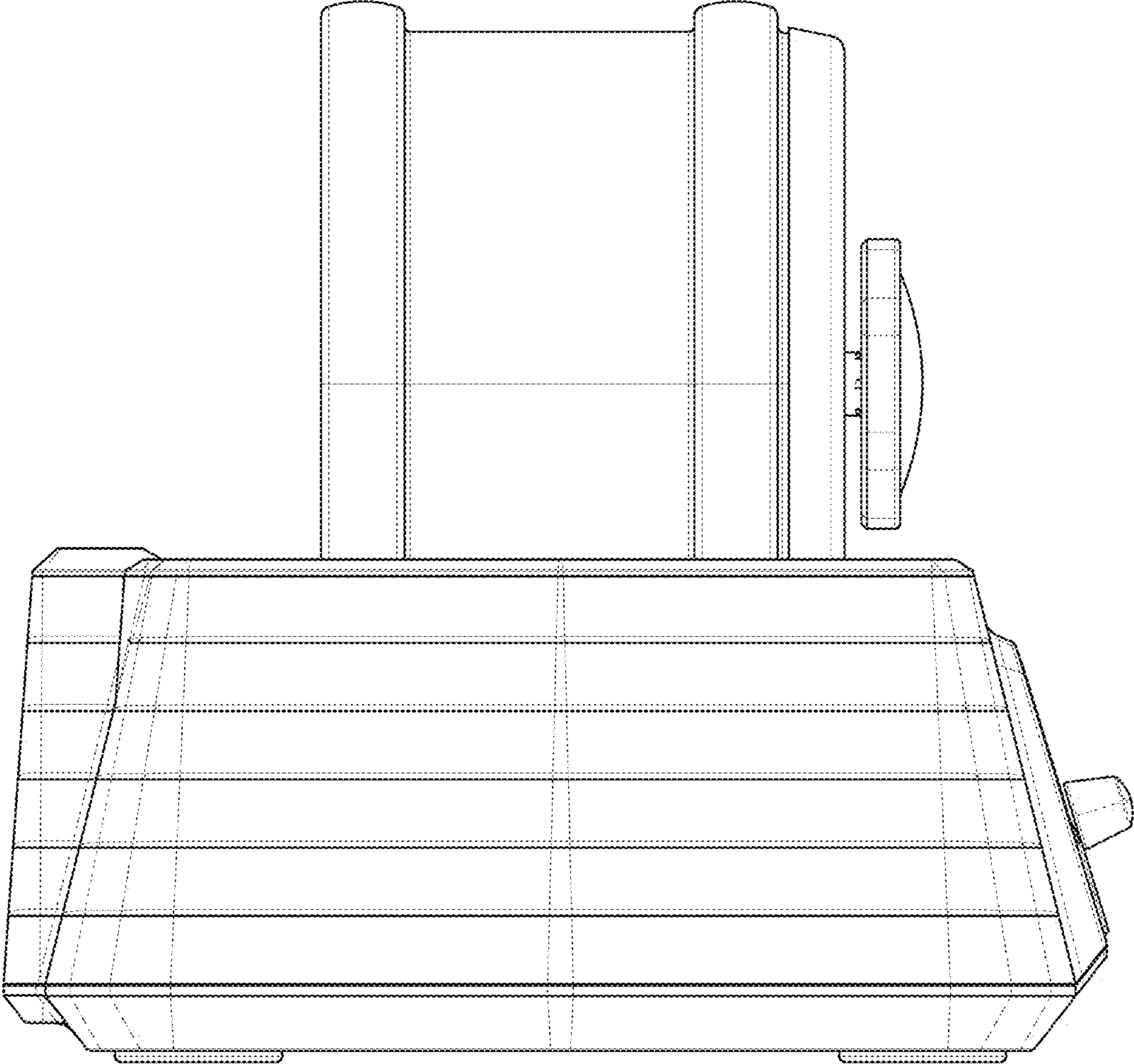


Fig. 6

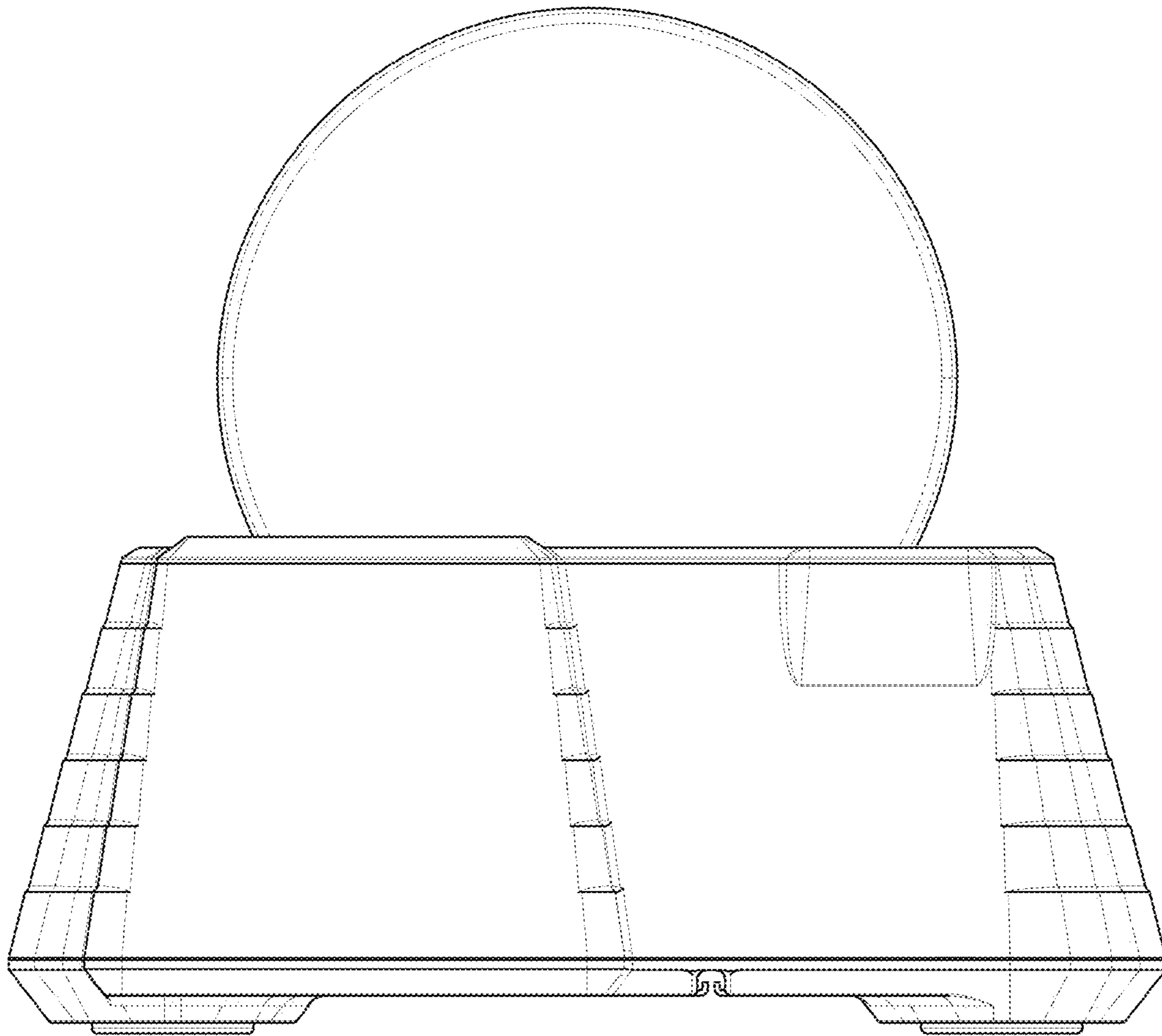


Fig. 7