



US00D982625S

(12) **United States Design Patent**
Wilson, IV

(10) **Patent No.:** **US D982,625 S**

(45) **Date of Patent:** **** Apr. 4, 2023**

(54) **TUMBLER**

(71) Applicant: **Idea Vault Holdings, Inc.**, Ashland,
OR (US)

(72) Inventor: **Howard Allen Wilson, IV**, Medford,
OR (US)

(**) Term: **15 Years**

(21) Appl. No.: **29/775,584**

(22) Filed: **Mar. 24, 2021**

(51) **LOC (14) Cl.** **15-09**

(52) **U.S. Cl.**
USPC **D15/124**

(58) **Field of Classification Search**
USPC D15/122–125; D24/107, 167, 184,
D24/231–234, 163, 216, 217, 219, 2, 31;
D10/87, 91
CPC B07B 1/46; B07B 1/28; B07B 1/36; B07B
1/48; B07B 2201/04; B07B 2230/01;
B24B 31/00; B24B 31/02; B02C 17/02;
B02C 17/20; B02C 23/16
See application file for complete search history.

(56) **References Cited**

U.S. PATENT DOCUMENTS

- 295,867 A * 3/1884 Griffen B24B 31/02
285/190
- 2,939,455 A * 6/1960 Arnold A61H 15/0078
601/127
- 6,254,466 B1 * 7/2001 Mucciacciaro B24B 31/02
451/328
- D527,464 S * 8/2006 Ina D24/232
- D591,864 S * 5/2009 Schmidt D24/216
- D653,764 S * 2/2012 Macemon D24/216
- D728,125 S * 4/2015 Trigg D24/232
- 9,156,709 B2 10/2015 Shallcross
- D757,136 S * 5/2016 Yu D15/124
- 9,421,664 B1 * 8/2016 Yu B24B 31/02
- D854,188 S * 7/2019 Schaecken D24/232
- D868,125 S * 11/2019 Shu D15/144
- D914,906 S * 3/2021 Klein D24/216

- D917,063 S * 4/2021 Ong D24/216
- D923,199 S * 6/2021 Luther D24/233
- D940,763 S * 1/2022 Zhao D15/124
- D964,593 S * 9/2022 Grimmel D24/232
- 2008/0296162 A1 * 12/2008 Shallcross A61N 2/12
204/660

2020/0391339 A1 12/2020 Gedlick
(Continued)

FOREIGN PATENT DOCUMENTS

- CN 301948246 S 6/2011
- CN 301982100 S 7/2012

(Continued)

OTHER PUBLICATIONS

National Geographic, Rock Tumbler Starter Kit (RTNGTUMBLER3),
(site visited Dec. 2, 2022), Walmart.com website, URL:<<https://www.walmart.com/ip/National-Geographic-Rock-Tumbler-Science-Set/282362841>> (Year: 2022).*

(Continued)

Primary Examiner — Calvin E Vansant
Assistant Examiner — Mark T. Philipps
(74) *Attorney, Agent, or Firm* — Salpi Dunlap

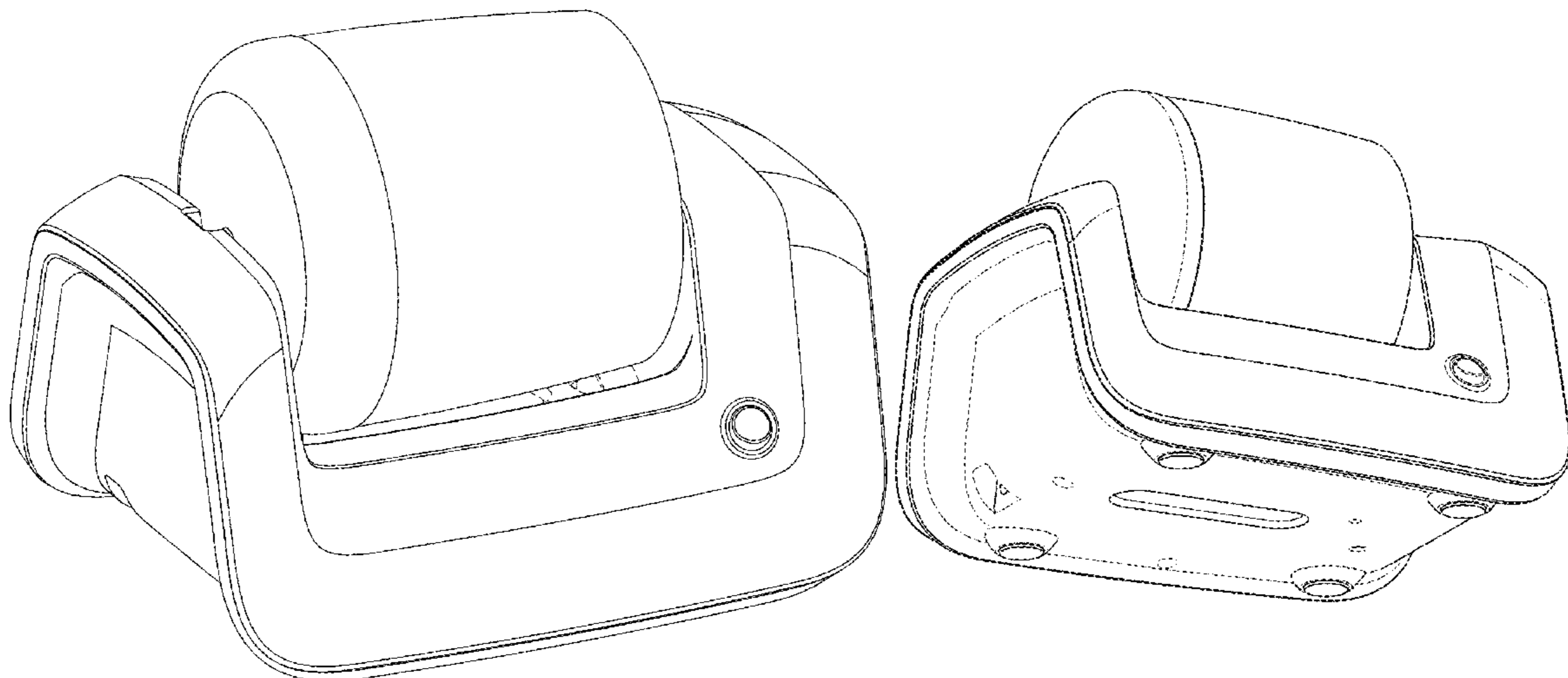
(57) **CLAIM**

The ornamental design for a tumbler, as shown and described.

DESCRIPTION

FIG. 1 is a top left front perspective view of the tumbler;
FIG. 2 is a bottom left front perspective view thereof;
FIG. 3 is a front view thereof;
FIG. 4 is a left side view thereof;
FIG. 5 is top plan view thereof;
FIG. 6 is a bottom plan view thereof;
FIG. 7 is a right side view thereof; and,
FIG. 8 is a rear view thereof.
The broken lines represent environmental structure only and form no part of the claimed design.

1 Claim, 8 Drawing Sheets



(56)

References Cited

U.S. PATENT DOCUMENTS

2020/0391340 A1 12/2020 Gedlick
 2021/0260717 A1* 8/2021 Gedlick B24B 31/02

FOREIGN PATENT DOCUMENTS

CN	304073644	S	3/2017
CN	304073646	S	3/2017
CN	306374463	S	3/2021
CN	306604369	S	6/2021
CN	306638442	S	6/2021
CN	306648318	S	6/2021
CN	6179995	S	12/2021
CN	306985282	S	12/2021
CN	307119758	S	2/2022
CN	307181808	S	3/2022
GB	6179994	S	12/2021
GB	6179995	S	12/2021

OTHER PUBLICATIONS

Cayama, Professional Rock Tumbler for Adults and Kids, (first available May 26, 2022), Amazon.com, URL:<<https://www.amazon.com/Professional-Capacity-Exclusive-Polishing-Grits%EF%BC%8CChristmas/dp/B0B2DPSGPZ>> (Year: 2022).*

com/Professional-Capacity-Exclusive-Polishing-Grits%EF%BC%8CChristmas/dp/B0B2DPSGPZ> (Year: 2022).*

National Geographic Starter Rock Tumbler Kit, Amazon.com printout retrieved from https://www.amazon.com/dp/B01156RV0C/ref=cm_sw_em_r_mt_dp_Z8HRYZH4BDSVENSE2V2S.

National Geographic Rock Tumbler Kit, Amazon.com printout retrieved from https://www.amazon.com/dp/B08DL95CWL/ref=cm_sw_em_r_mt_dp_MEDAV71TZ7MXFST8N8YT.

Nature Bound Starter Rock Tumbler Kit, Amazon printout retrieved on Jan. 19, 2023 from <https://a.co/d/7PxOoiW>.

National Geographic Professional Rock Tumbling Kit, Amazon.com printout retrieved on Dec. 7, 2022 from <https://a.co/d/8hWmSFy>.

National Geographic Rock Tumbling Kit, Amazon.com printout retrieved on Dec. 7, 2022 from <https://a.co/d/052UPLB>.

National Geographic Starter Rock Tumbler Kit, Amazon.com printout retrieved on Dec. 7, 2022 from <https://a.co/d/cf8iwkY>.

National Geographic Hobby Rock Tumbler Kit, Amazon.com printout retrieved on Dec. 7, 2022 from https://www.amazon.com/dp/B07G9MWHGJ?ref=myi_title_dp.

* cited by examiner

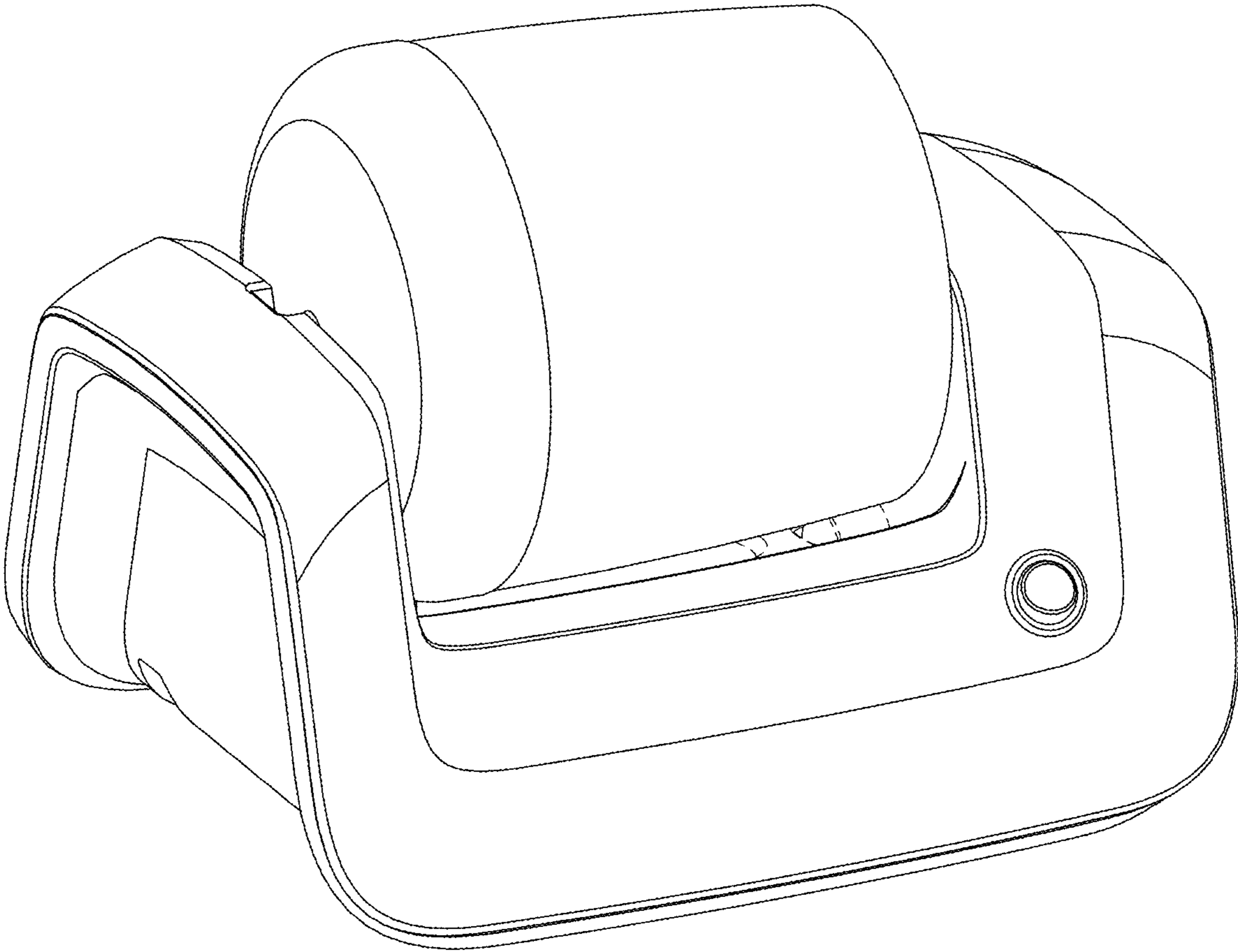


Fig. 1

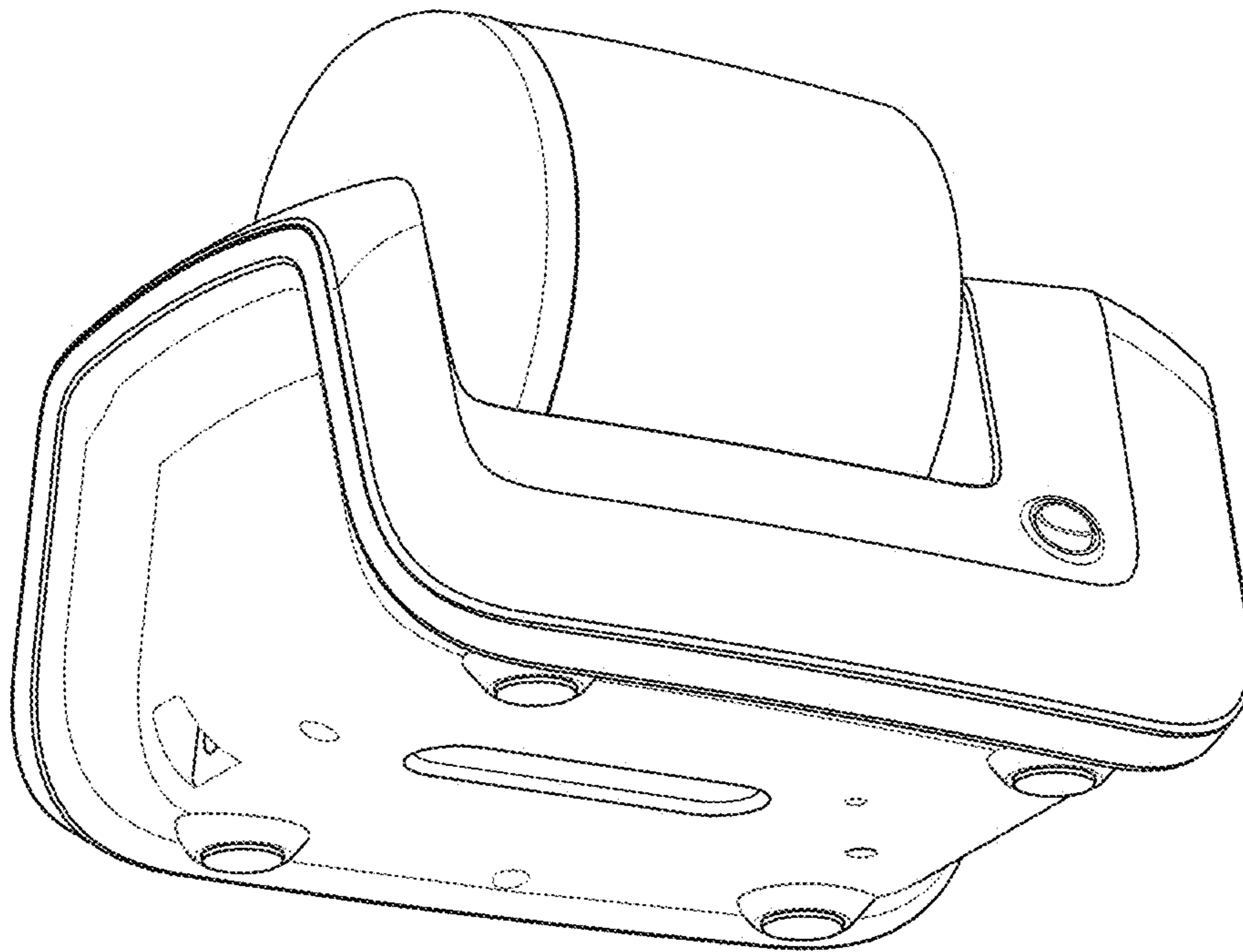


Fig. 2

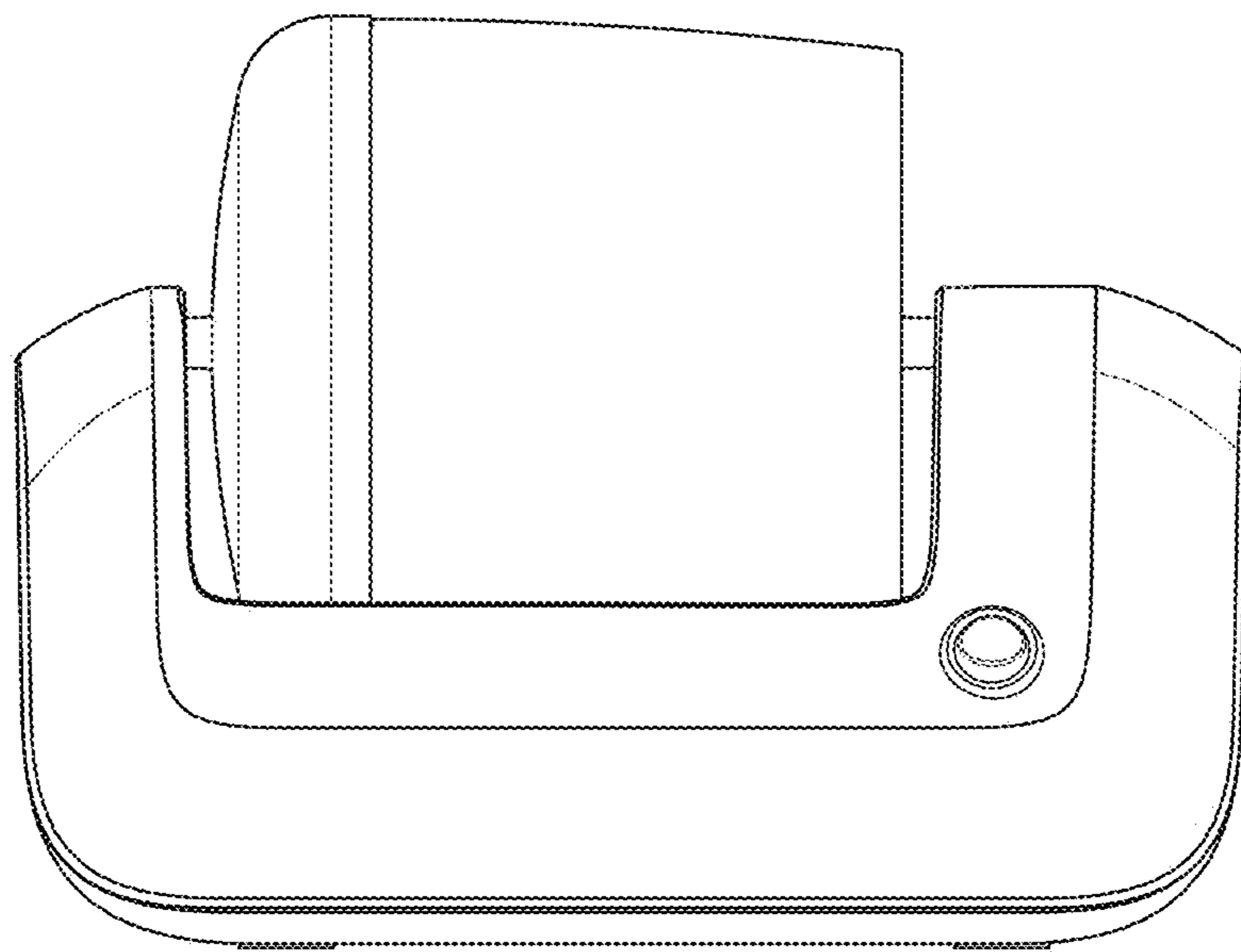


Fig. 3

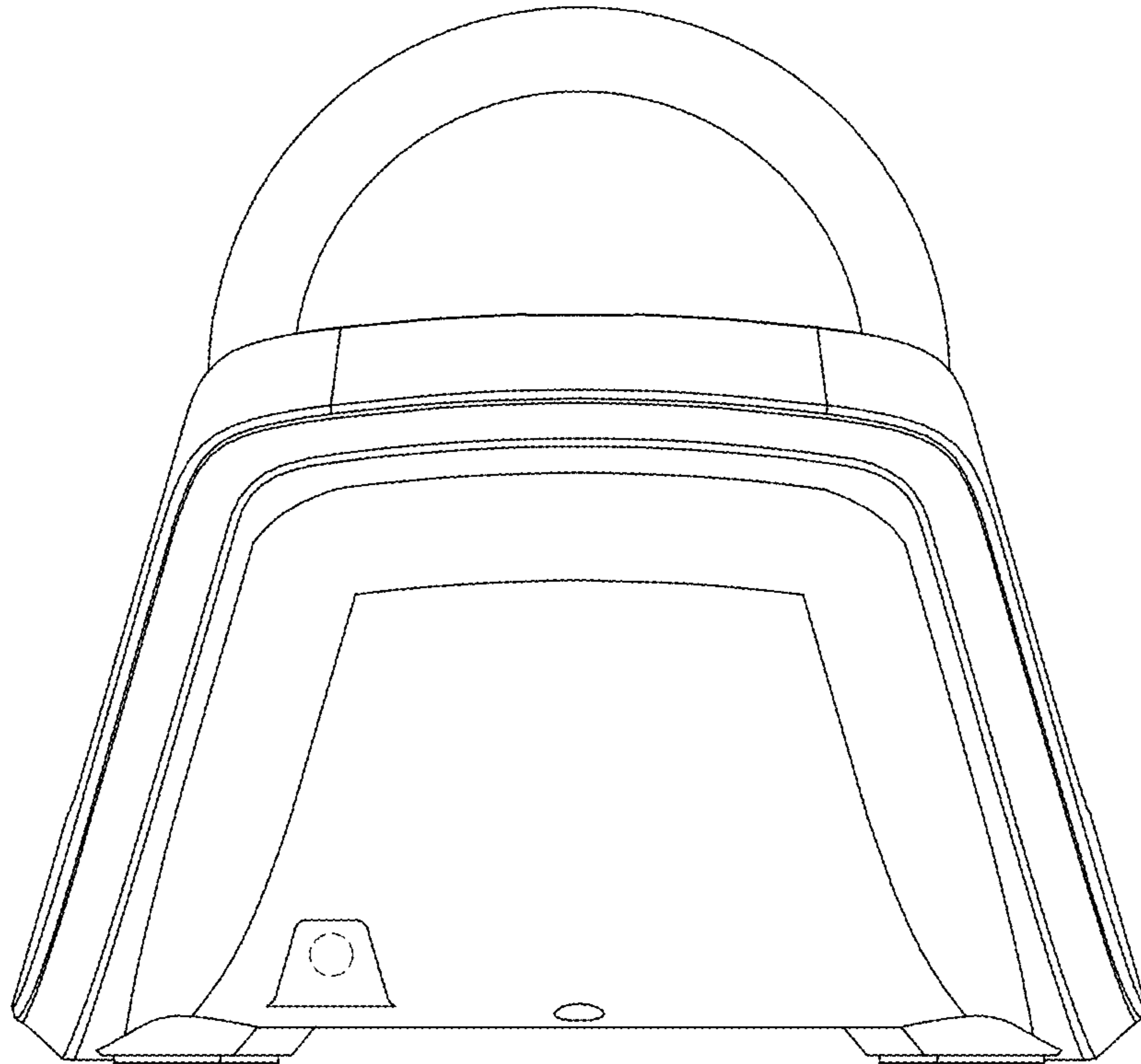


Fig. 4

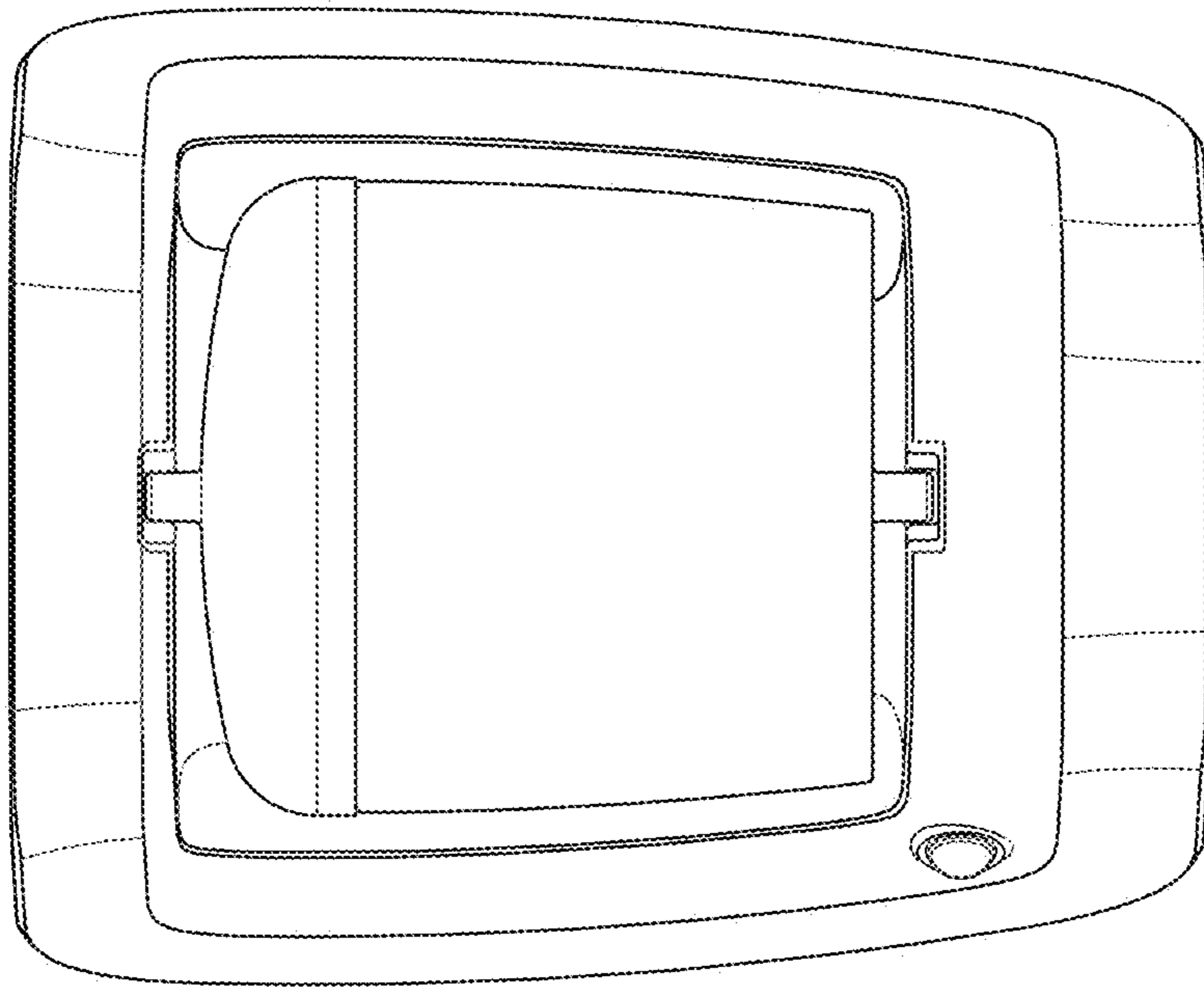


Fig. 5

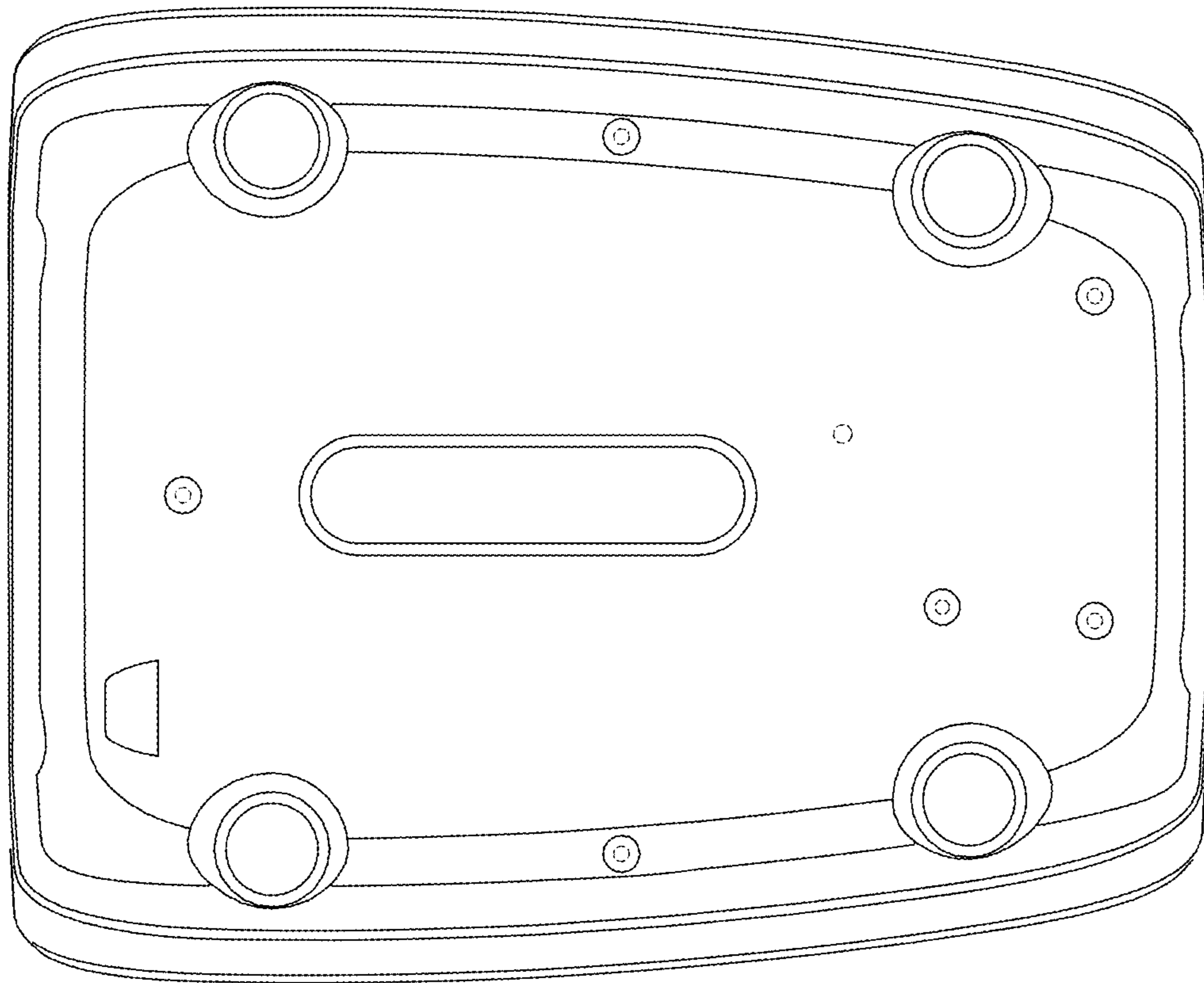


Fig. 6

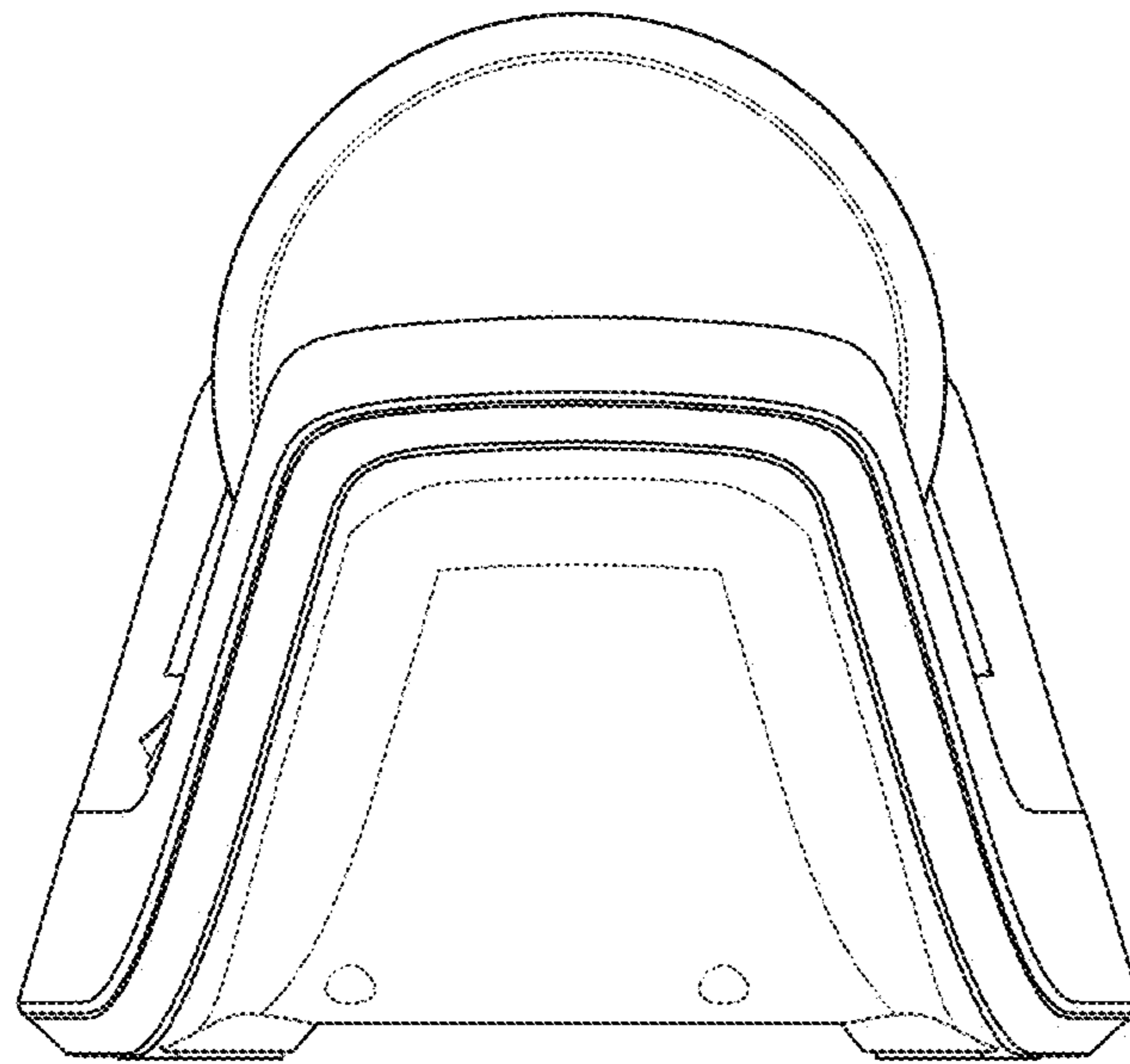


Fig. 7

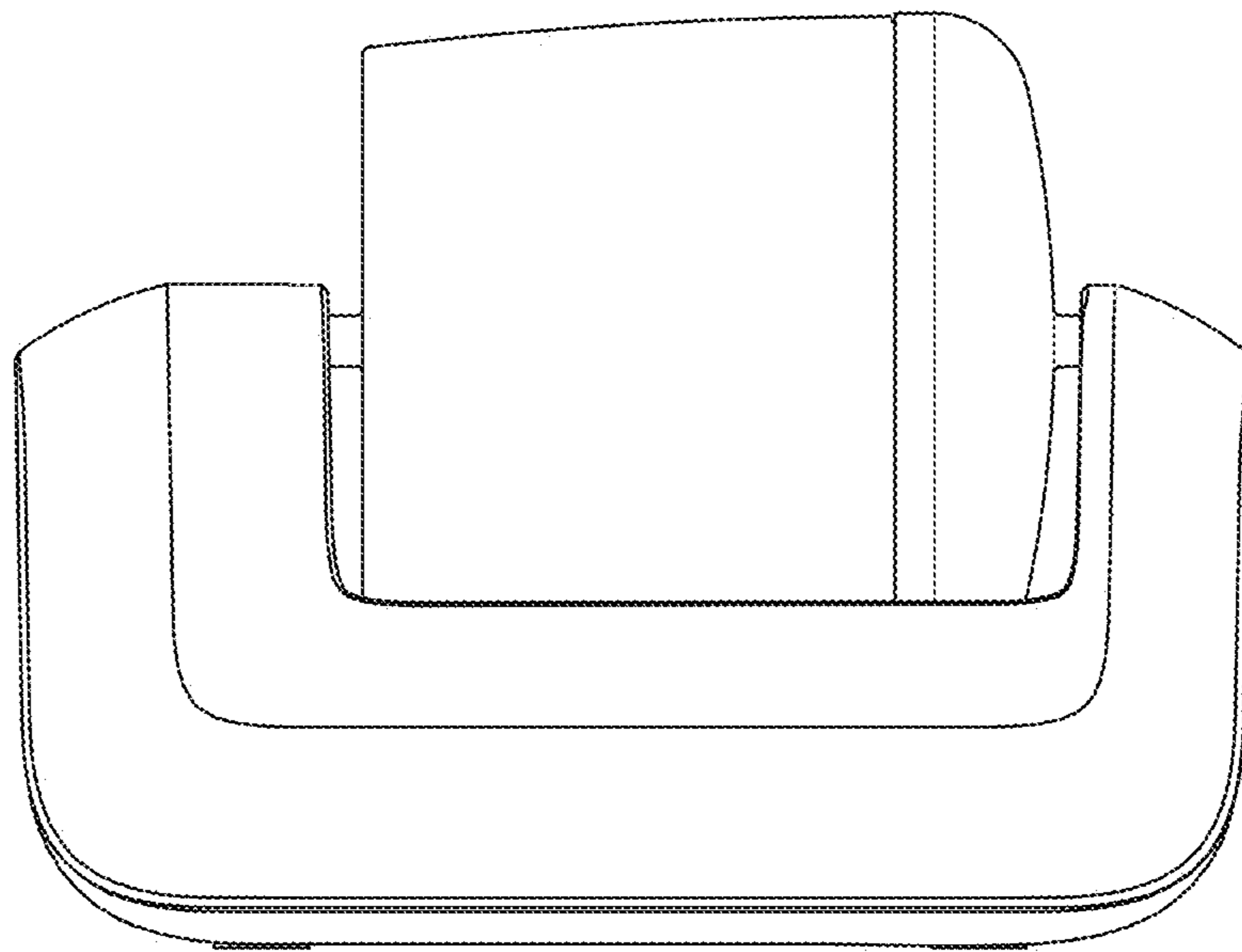


Fig. 8