



US00D982624S

(12) **United States Design Patent**  
**Stoney**

(10) **Patent No.:** **US D982,624 S**

(45) **Date of Patent:** **\*\* Apr. 4, 2023**

(54) **COMPUTER NUMERICAL CONTROL CNC MACHINE TOOL**

(71) Applicant: **4Robotics OÜ**, Tallinn (EE)

(72) Inventor: **Roy Stoney**, Dublin (IE)

(\*\*) Term: **15 Years**

(21) Appl. No.: **35/513,323**

(22) Filed: **Nov. 1, 2021**

(80) **Hague Agreement Data**

Int. Filing Date: **Nov. 1, 2021**

Int. Reg. No.: **DM/218033**

Int. Reg. Date: **Nov. 1, 2021**

Int. Reg. Pub. Date: **Jan. 7, 2022**

(51) **LOC (14) Cl.** ..... **15-09**

(52) **U.S. Cl.**

USPC ..... **D15/122; D15/131**

(58) **Field of Classification Search**

USPC ..... D15/122, 131; D8/71, 34.3; D10/46, 70

CPC . B26F 1/3853; G05B 19/401; G05B 19/4015;

G05B 19/4166; G05B 2219/37405; G05B

2219/37506; G05B 2219/43199; G05B

2219/49072; G05B 2219/49086; G05B

2219/49195; G05B 2219/49241; G05B

2219/50027; G05B 2219/50046

See application file for complete search history.

(56) **References Cited**

U.S. PATENT DOCUMENTS

5,388,488 A \* 2/1995 Geidl ..... B26F 1/3853  
83/56

6,655,884 B2 \* 12/2003 Ferrari ..... B23Q 1/012  
409/212

D791,203 S \* 7/2017 Zhang ..... D15/135  
D861,749 S \* 10/2019 Besim ..... D15/122  
10,488,843 B2 \* 11/2019 Vesco ..... G05B 19/401  
D874,559 S \* 2/2020 Umezawa ..... D18/34.3  
D933,723 S \* 10/2021 Chen ..... D15/122  
D957,517 S \* 7/2022 Li ..... D18/57  
D958,236 S \* 7/2022 Wu ..... D18/50  
D965,650 S \* 10/2022 Golu ..... D15/122  
2009/0194497 A1 \* 8/2009 Lin ..... B23Q 1/012  
212/272  
2013/0078046 A1 \* 3/2013 Chuang ..... B23Q 5/40  
409/134  
2015/0030405 A1 \* 1/2015 Tsuruta ..... B23Q 15/007  
409/80  
2022/0040787 A1 \* 2/2022 Hirayama ..... B23K 26/0876

\* cited by examiner

*Primary Examiner* — Mark A Goodwin

(57) **CLAIM**

The ornamental design for a computer numerical control CNC machine tool, as shown and described.

**DESCRIPTION**

1. Computer numerical control CNC machine tool

1.1 : Front

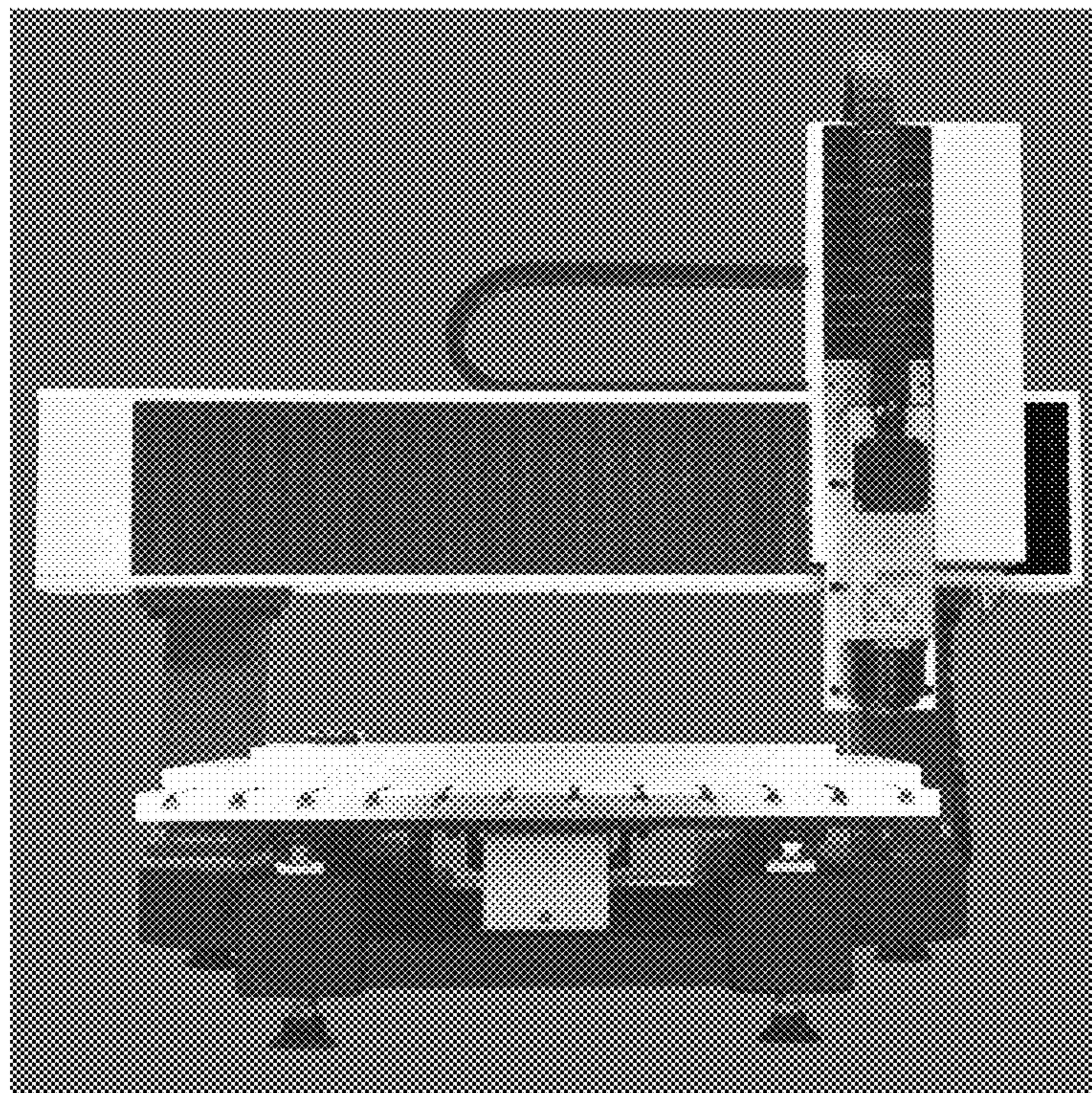
1.2 : Back

1.3 : Right

1.4 : Left

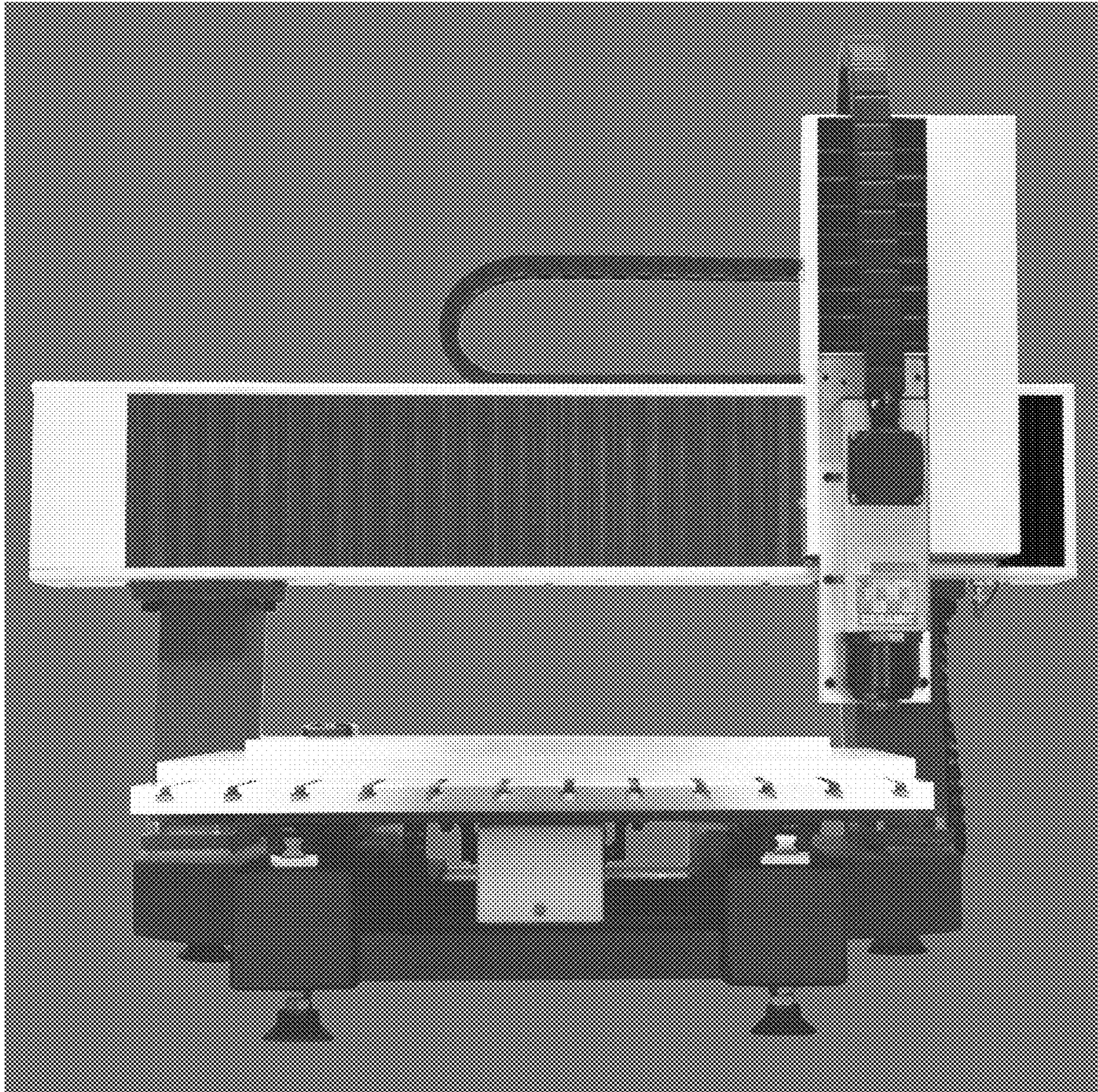
1.5 : Top

**1 Claim, 5 Drawing Sheets**



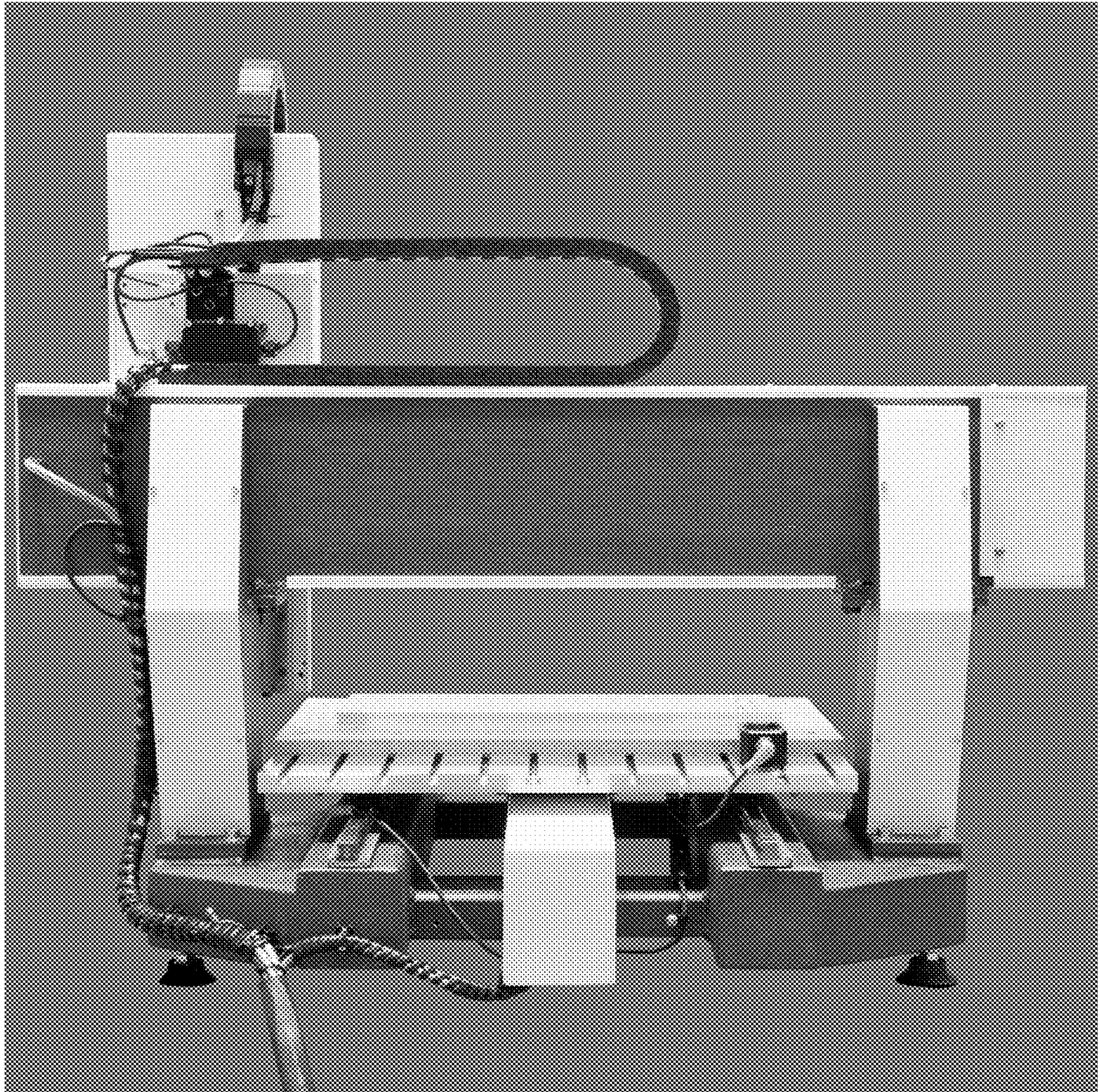


1.1



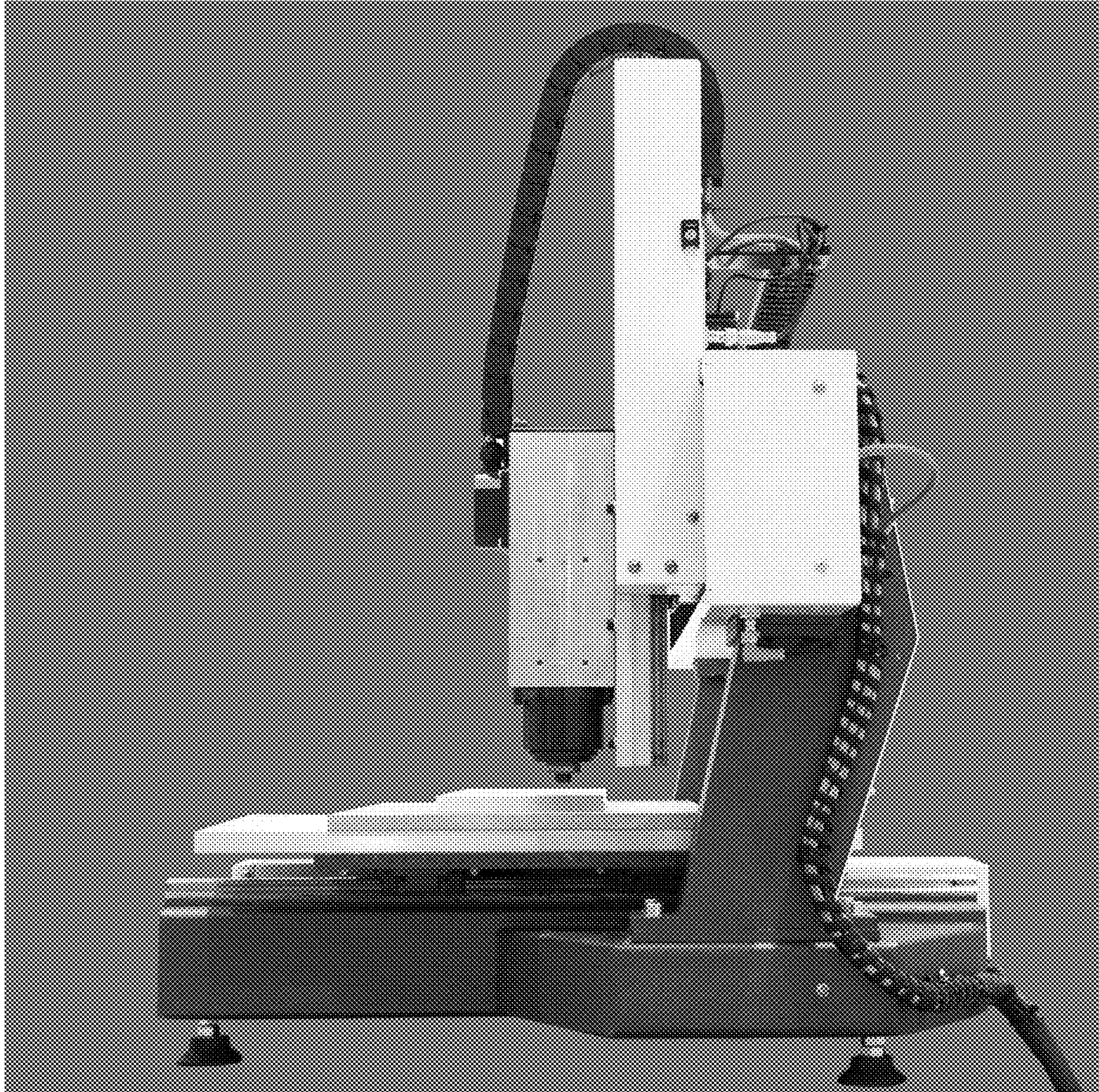


1.2



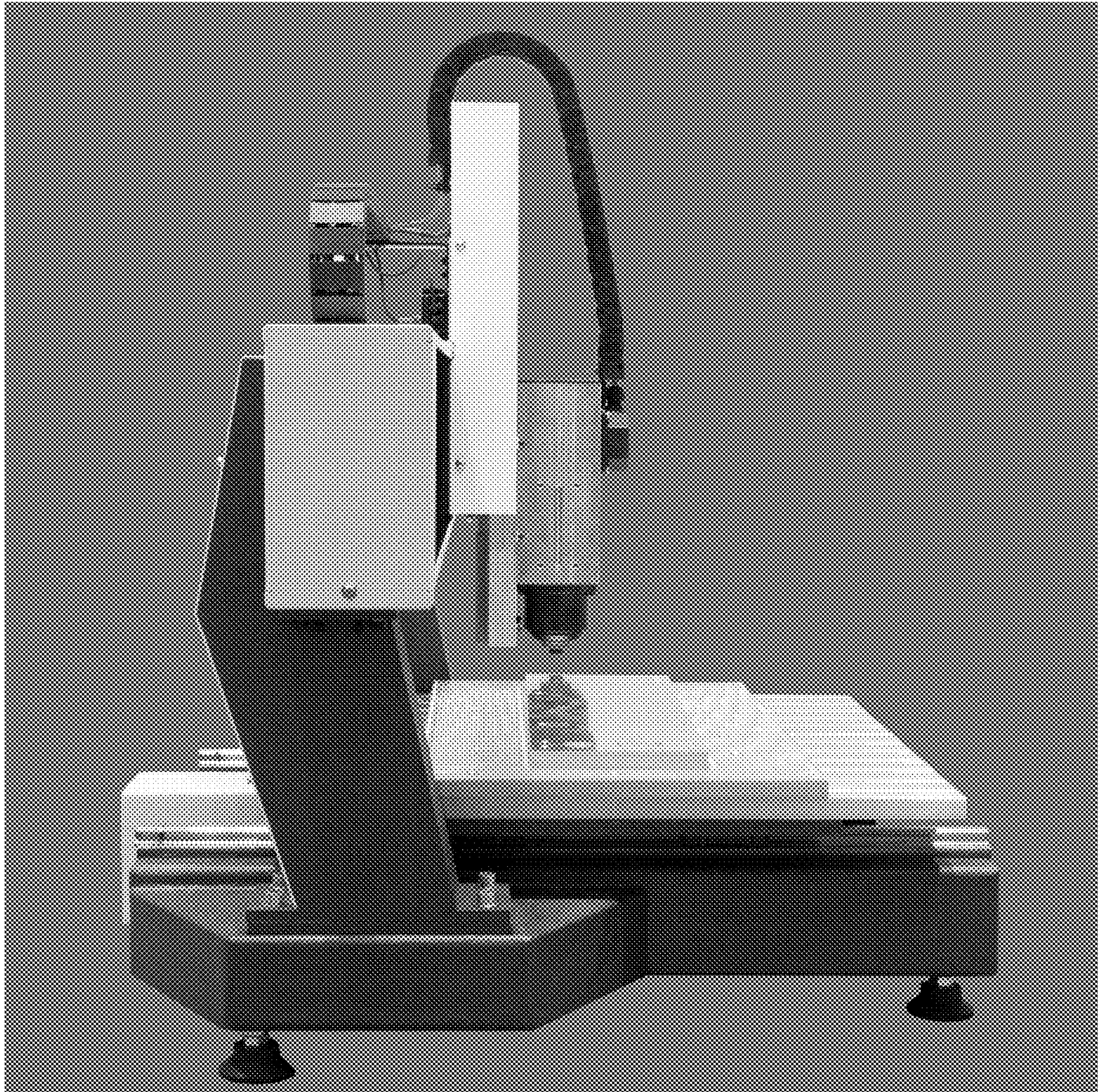


1.3





1.4





1.5

