



US00D982622S

(12) **United States Design Patent** (10) **Patent No.:** **US D982,622 S**
Kong (45) **Date of Patent:** **** Apr. 4, 2023**

(54) **3D VACUUM HEAT TRANSFER MACHINE**
(71) Applicant: **Jindi Kong**, Hunan (CN)
(72) Inventor: **Jindi Kong**, Hunan (CN)
(**) Term: **15 Years**
(21) Appl. No.: **29/697,138**
(22) Filed: **Jul. 3, 2019**
(51) **LOC (14) Cl.** **15-09**
(52) **U.S. Cl.**
USPC **D15/122; D15/135**
(58) **Field of Classification Search**
USPC D7/336, 337, 352, 356, 362, 602;
D15/122, 123, 144, 146; D18/50, 53
CPC .. B41F 16/00; B41F 16/0026; B41F 16/0093;
B41F 1/38; B30B 15/047; B30B 15/061;
B30B 15/064; B30B 15/34; B41M 1/40;
B41M 5/035; B44C 1/1712
See application file for complete search history.

(56) **References Cited**
U.S. PATENT DOCUMENTS

D213,931 S * 4/1969 Bardeau D7/352
5,643,387 A * 7/1997 Berghauser C04B 41/81
156/240
D436,794 S * 1/2001 McClean D7/352
D539,074 S * 3/2007 Lubowicki D7/352
D568,090 S * 5/2008 Lam D7/352
D622,538 S * 8/2010 Hoare D7/352
D684,001 S * 6/2013 Bergeron D7/363
10,111,556 B2 * 10/2018 Yan A47J 37/0611
10,321,784 B2 * 6/2019 Li A47J 37/0611
D853,172 S * 7/2019 De' Longhi D7/352
D927,577 S * 8/2021 Galkin D15/122
D949,620 S * 4/2022 Bodum D7/352
D952,009 S * 5/2022 Ai D32/70

2007/0017384 A1* 1/2007 Serra A47J 37/0611
99/372
2012/0152126 A1* 6/2012 Robinson A47J 37/0611
99/331
2019/0274475 A1* 9/2019 Fransen A47J 37/0611

FOREIGN PATENT DOCUMENTS

EM 006591483-0001 * 6/2019

OTHER PUBLICATIONS

Star, PGT14E Pro-Max 2.0, (site visited Jul. 14, 2022), Equippers Website, URL:<<https://www.equippers.com/star-pro-max-2.0-208240v-14-12-x-14-15-panini-ribbed-aluminum-surface-sandwich-grill-with-time/pgt14e.asp>> (Year: 2022).*

(Continued)

Primary Examiner — Calvin E Vansant
Assistant Examiner — Mark T. Philipps

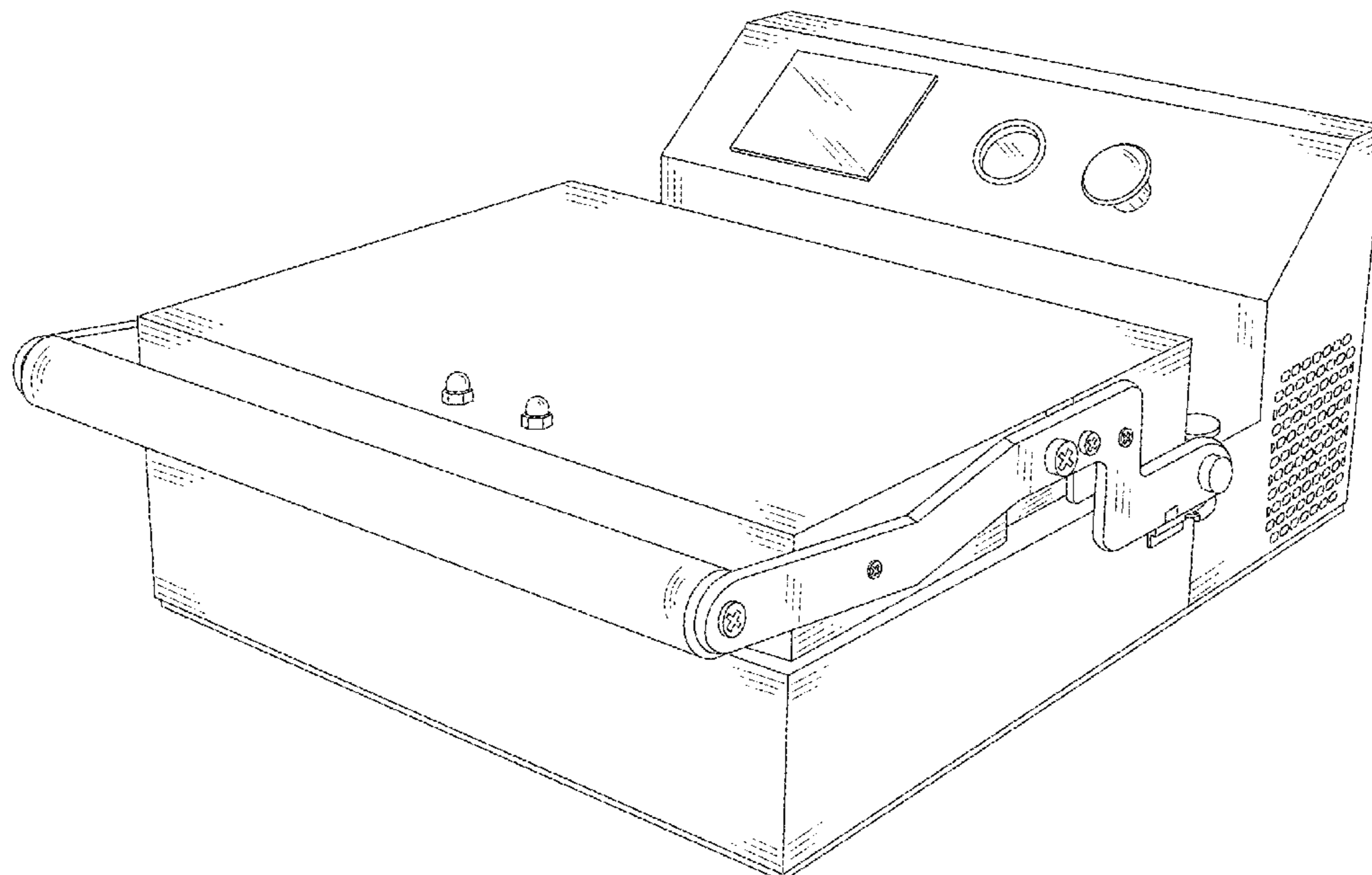
(57) **CLAIM**

The ornamental design for a 3D vacuum heat transfer machine, as shown and described.

DESCRIPTION

FIG. 1 is a perspective view of a 3D vacuum heat transfer machine showing my new design;
FIG. 2 is a front elevation view thereof;
FIG. 3 is a rear elevation view thereof;
FIG. 4 is a left side elevation view thereof;
FIG. 5 is a right side elevation view thereof;
FIG. 6 is a top plan view thereof;
FIG. 7 is a bottom plan view thereof; and,
FIG. 8 is another perspective view thereof, showing the open state.
The broken lines depict portion of the 3D vacuum heat transfer machine and form no part of the claimed design.

1 Claim, 8 Drawing Sheets



(56)

References Cited

OTHER PUBLICATIONS

Prosub, 3D sublimation machine/ 3D vacuum sublimation heat press machine for phone case sublimation machine, (site visited Jul. 14, 2022), Trade Wheel website, URL:<<https://www.tradewheel.com/p/prosub-3d-sublimation-machine-3d-vacuum-1686189/>> (Year: 2022).*

ColorSub, Clamshell Heat Press Machine 15×15 inch Professional Factory Heat Transfer Sublimation Presses for T-Shirt, (first available Jul. 30, 2020), Amazon.com, URL:<<https://www.amazon.com/ColorSub-Professional-Clamshell-Transfer-Sublimation/dp/B08D8R3BB9>> (Year: 2020).*

* cited by examiner

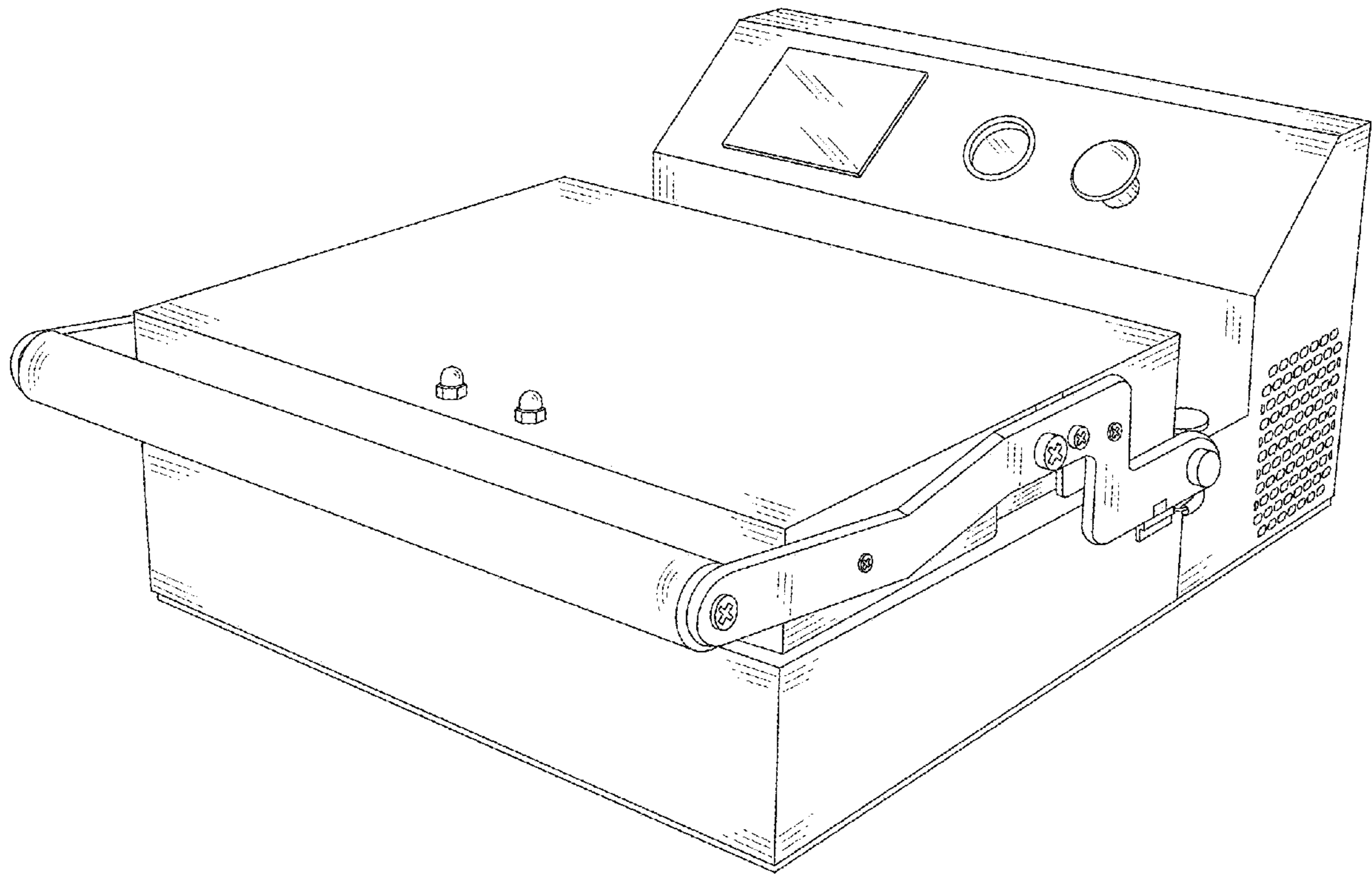


FIG. 1

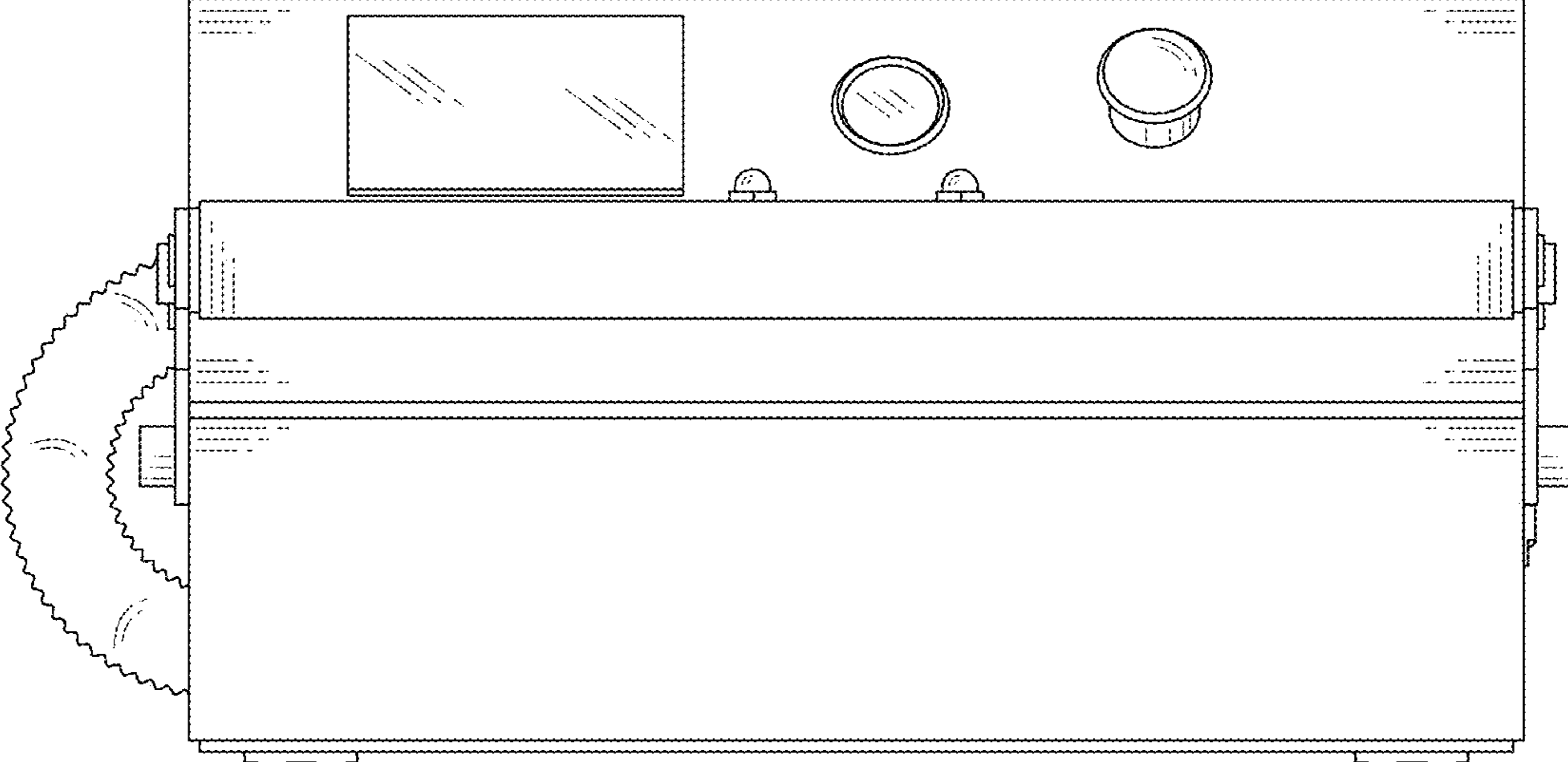


FIG. 2

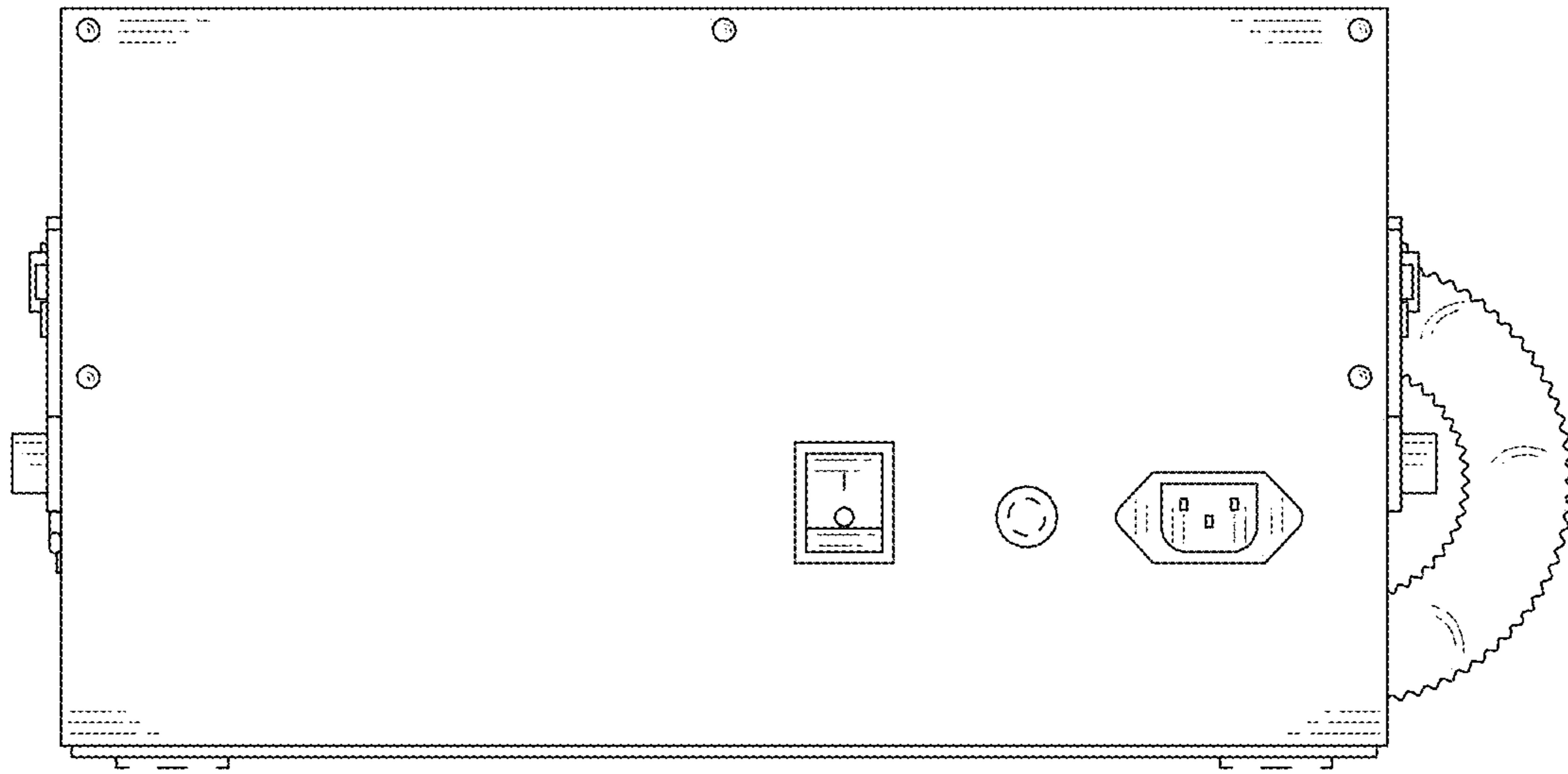


FIG. 3

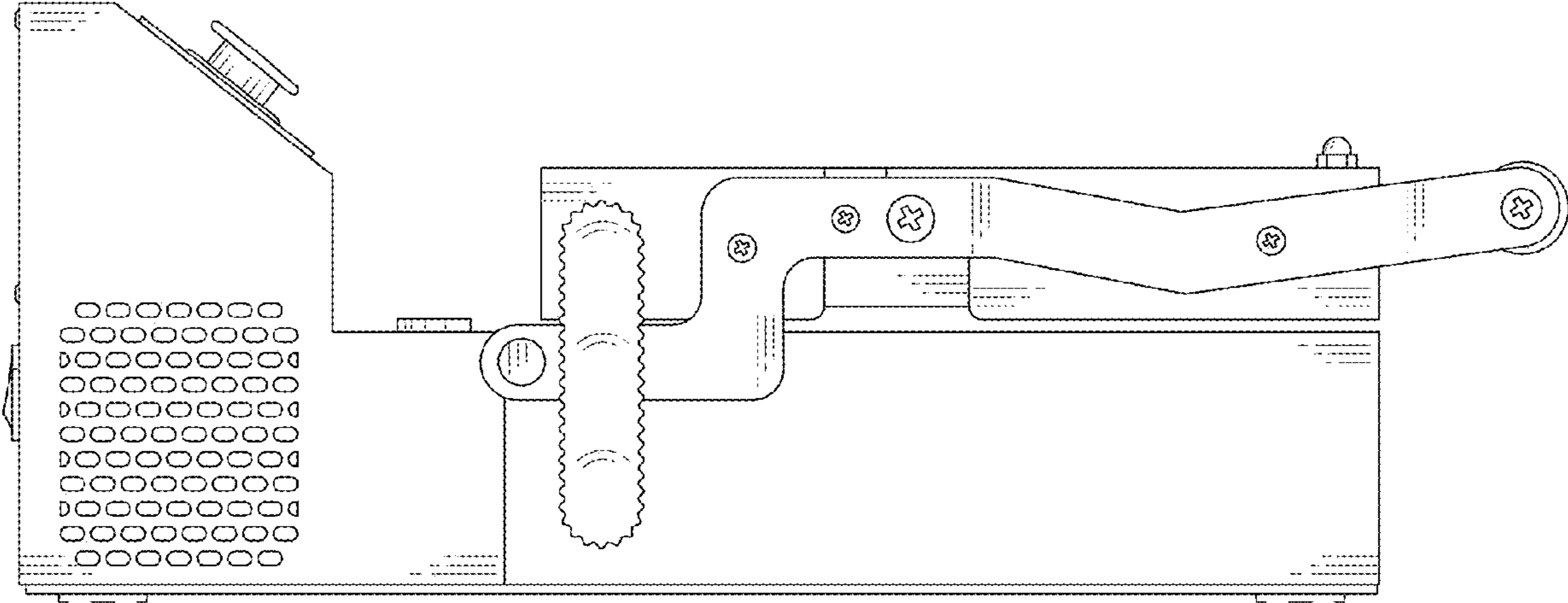


FIG. 4

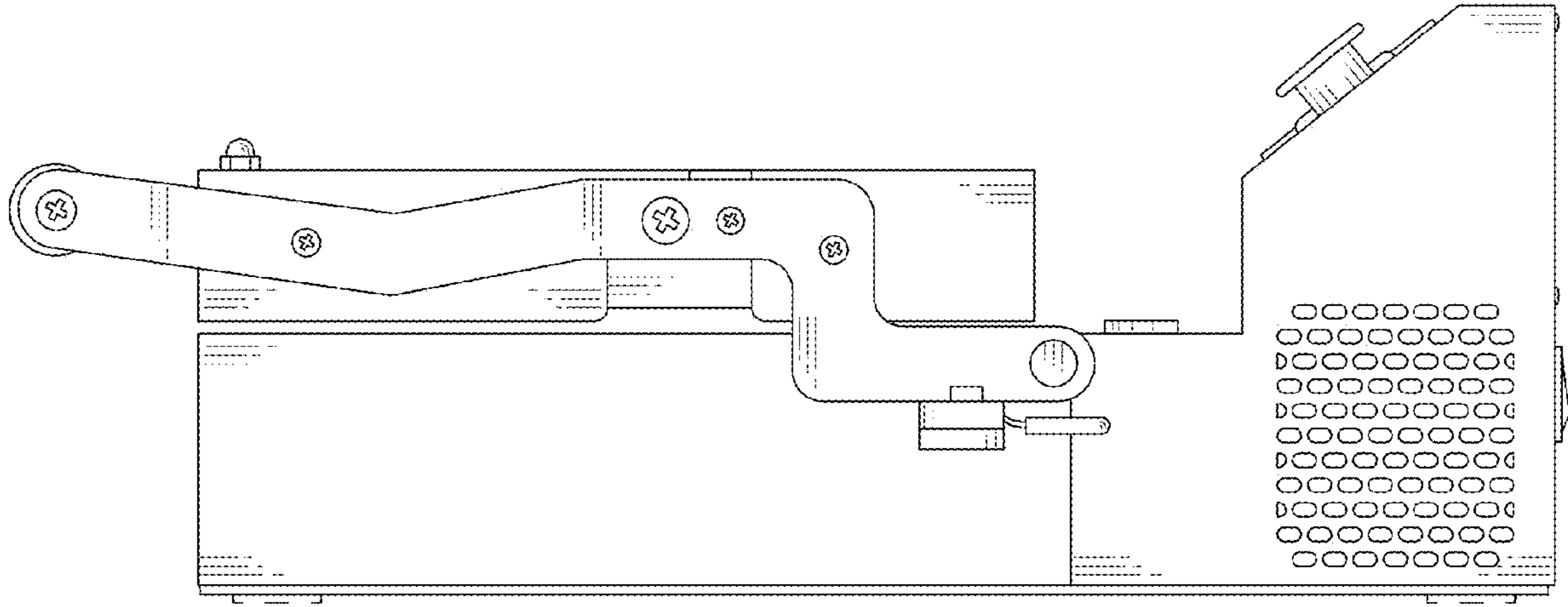


FIG. 5

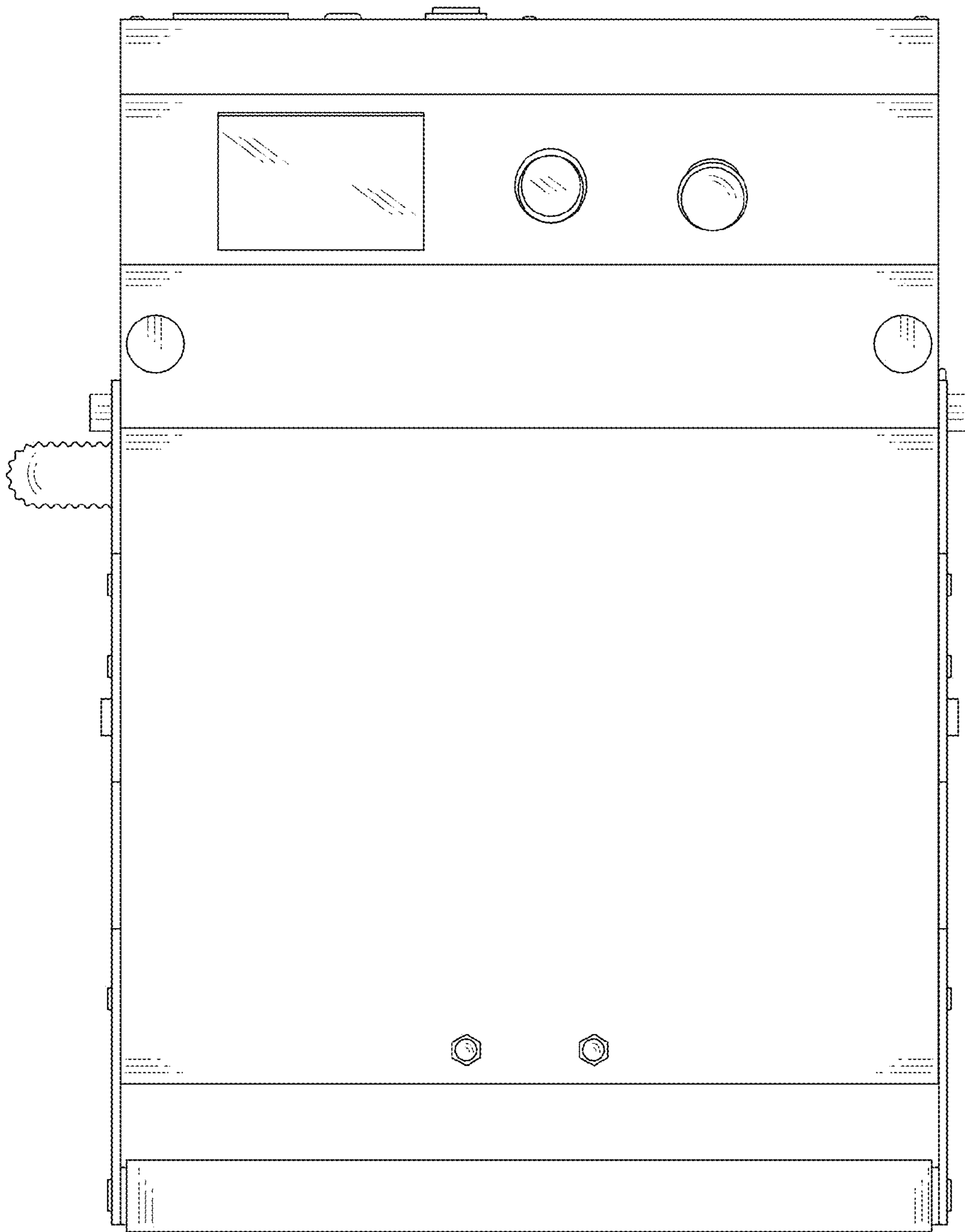


FIG. 6

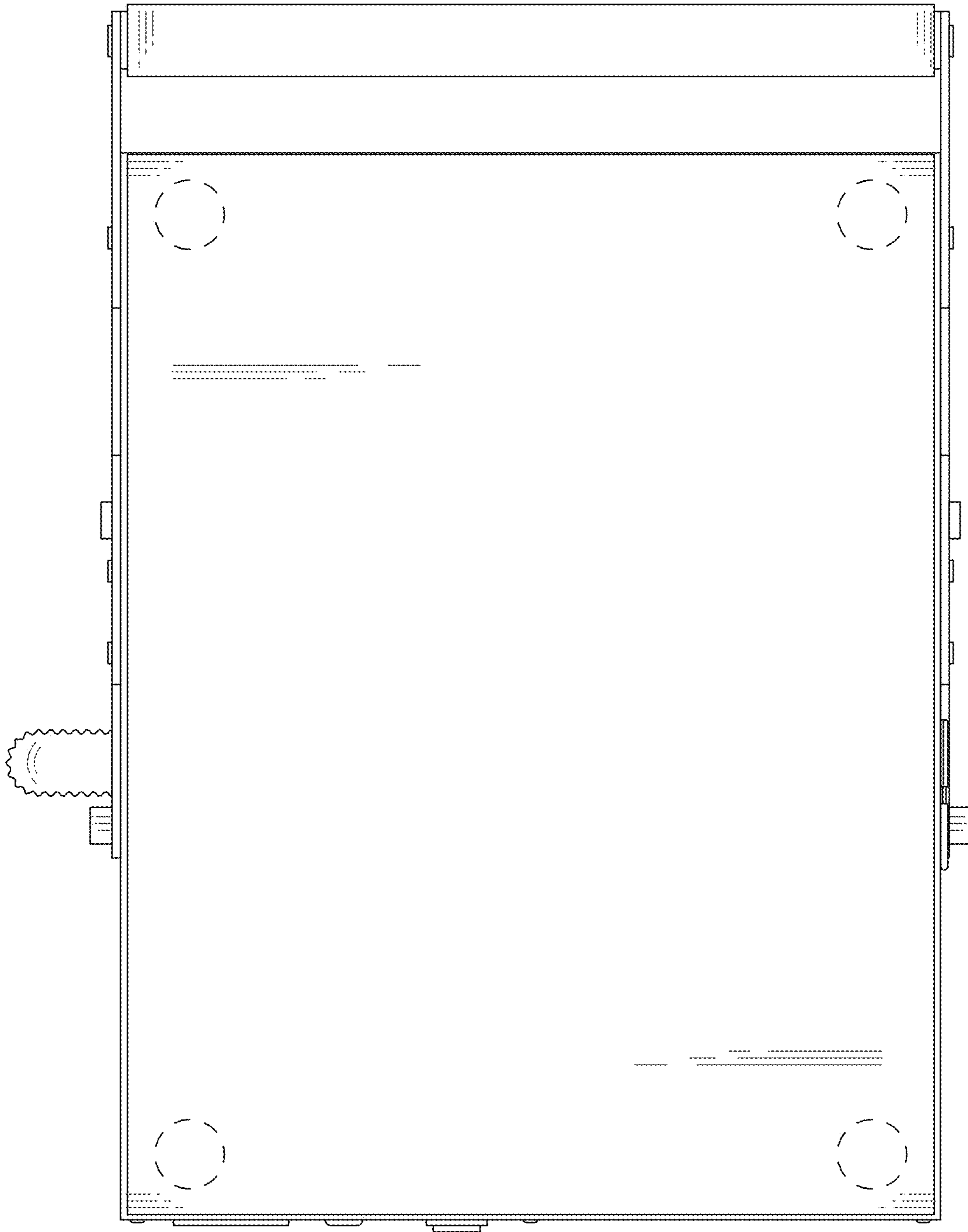


FIG. 7

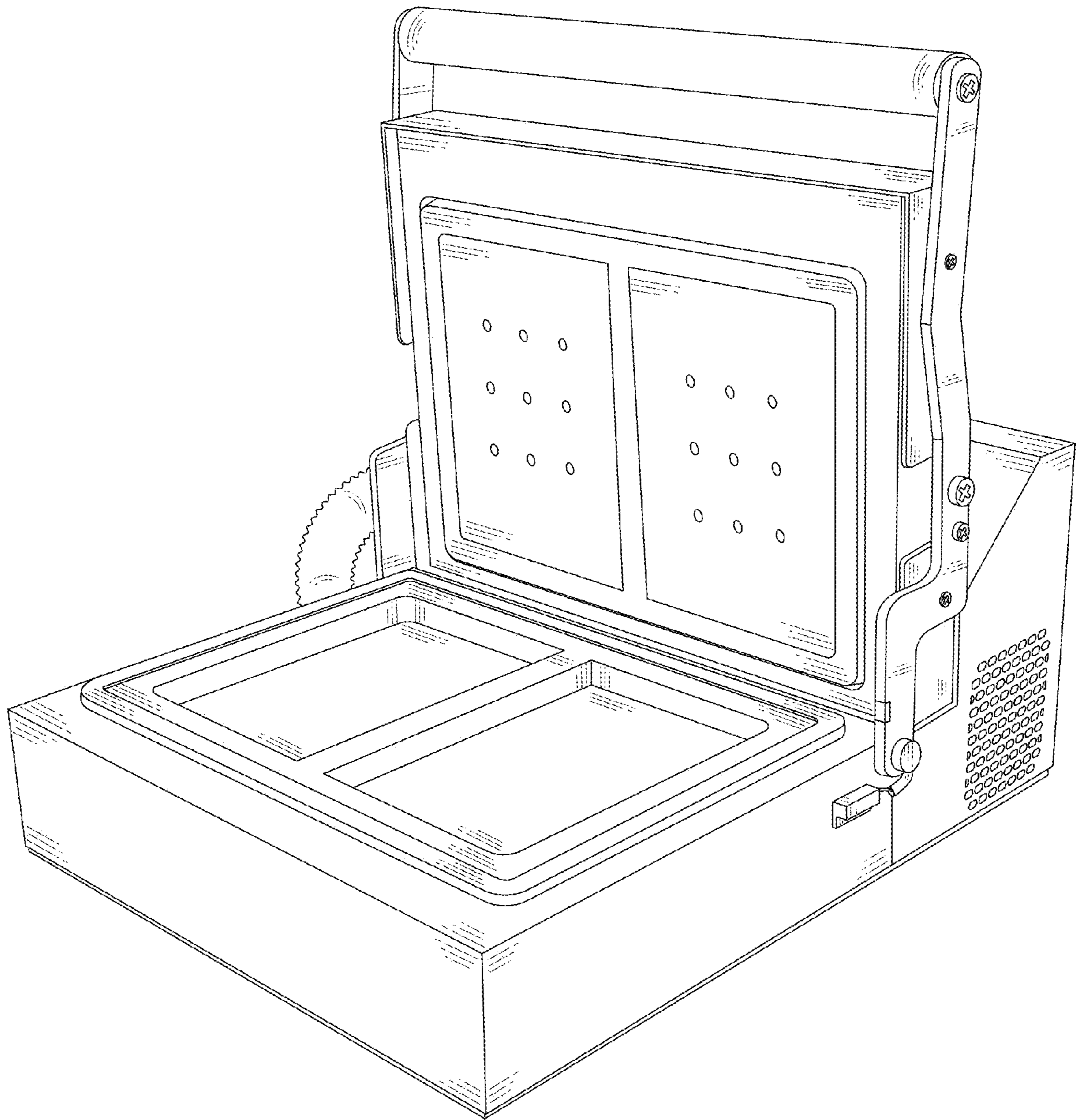


FIG. 8