



US00D982621S

(12) **United States Design Patent**  
**Loew**

(10) **Patent No.:** **US D982,621 S**  
(45) **Date of Patent:** **\*\* Apr. 4, 2023**

- (54) **COLD MILLING MACHINE**
- (71) Applicant: **BOMAG GmbH**, Boppard (DE)
- (72) Inventor: **Roland Loew**, Klein-Winternheim (DE)
- (73) Assignee: **BOMAG GmbH**, Boppard (DE)
- (\*\*) Term: **15 Years**
- (21) Appl. No.: **29/777,596**
- (22) Filed: **Apr. 7, 2021**

(30) **Foreign Application Priority Data**

Nov. 9, 2020 (EM) ..... 008262497-0002

- (51) **LOC (14) Cl.** ..... **15-03**
- (52) **U.S. Cl.**  
USPC ..... **D15/31; D15/28**
- (58) **Field of Classification Search**  
USPC ..... D15/122, 132, 126, 140, 24-26, 22, 33,  
D15/28, 131; D8/70, 71  
CPC ..... B24B 23/043; B24B 47/12; B24B 47/14;  
B24B 47/16; E01C 23/088  
See application file for complete search history.

(56) **References Cited**

**U.S. PATENT DOCUMENTS**

- D53,687 S \* 8/1919 Loew ..... D15/131
- D243,972 S 4/1977 Kucyna et al.
- D258,887 S 4/1981 Swisher, Jr. et al.
- D266,850 S 11/1982 Godbersen
- D266,851 S 11/1982 Wada et al.
- D277,104 S 1/1985 Roch
- D285,084 S 8/1986 Aldridge, Jr.
- D299,467 S 1/1989 Ritt
- D301,040 S 5/1989 Gemmani
- D309,146 S 7/1990 Nemetz
- D319,834 S 9/1991 Rutschle
- D328,467 S 8/1992 Maleschew

- D400,895 S 11/1998 Schrepfer
- D401,248 S 11/1998 Schrepfer
- D500,056 S 12/2004 DeYoung et al.
- D549,247 S 8/2007 Yorioka et al.
- D575,329 S 8/2008 Burch Gonzalez et al.
- D591,774 S \* 5/2009 Kokitkar ..... D15/28
- D591,775 S \* 5/2009 Kokitkar ..... D15/28
- D612,873 S 3/2010 Spinelli et al.
- D621,422 S \* 8/2010 Loew ..... D15/20
- D626,573 S 11/2010 Koetting et al.
- D635,158 S 3/2011 Berning et al.
- D635,159 S 3/2011 Berning et al.
- D635,160 S 3/2011 Berning et al.
- D635,593 S 4/2011 Berning et al.
- D640,297 S 6/2011 Deville
- D642,599 S 8/2011 Busley
- D643,860 S 8/2011 Busley
- D657,400 S \* 4/2012 Loew ..... D15/31
- D660,883 S 5/2012 Bohme et al.
- D671,969 S 12/2012 Yang et al.
- D680,563 S 4/2013 Yang et al.
- D688,839 S 8/2013 Helm et al.

(Continued)

*Primary Examiner* — Michael C Stout  
*Assistant Examiner* — Fritzgerald L Butac  
(74) *Attorney, Agent, or Firm* — Wood Herron & Evans LLP

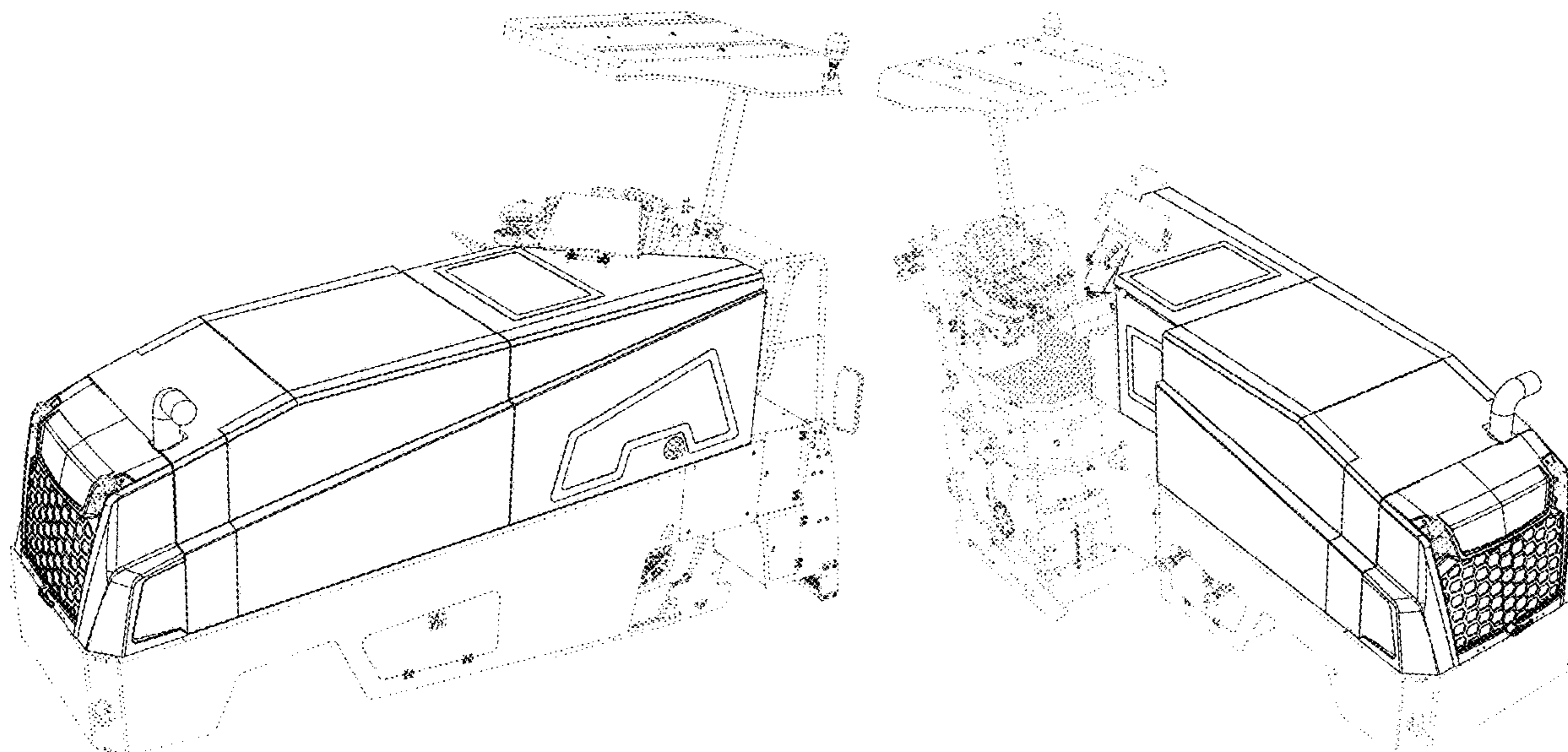
(57) **CLAIM**

The ornamental design for a cold milling machine, as shown and described.

**DESCRIPTION**

FIG. 1 is a front right perspective view of my new cold milling machine design;  
FIG. 2 is a right side elevation view thereof;  
FIG. 3 is a front left perspective view thereof; and,  
FIG. 4 is a left side elevation view thereof.  
The broken lines show portions of a cold milling machine that form no part of the claimed design.

**1 Claim, 4 Drawing Sheets**



(56)

References Cited

U.S. PATENT DOCUMENTS

D696,315 S 12/2013 Schmid  
 D707,727 S 6/2014 Miller et al.  
 D711,947 S 8/2014 Son et al.  
 D717,850 S 11/2014 Kawai  
 D726,789 S 4/2015 Schmid  
 D745,070 S 12/2015 Schindler  
 D755,859 S \* 5/2016 Loew ..... D15/24  
 D774,561 S 12/2016 Loew  
 D774,562 S 12/2016 Loew  
 D775,246 S 12/2016 Seal et al.  
 D778,963 S \* 2/2017 Yang ..... D15/31  
 D781,357 S 3/2017 Inaba et al.  
 D785,054 S \* 4/2017 Hosozawa ..... D15/31  
 D789,426 S \* 6/2017 Underhill ..... D15/31  
 D799,562 S \* 10/2017 Okuyama ..... D15/31  
 D800,796 S 10/2017 Loew  
 D800,797 S 10/2017 Loew  
 D806,762 S \* 1/2018 Loew ..... D15/31  
 D807,406 S \* 1/2018 Loew ..... D15/31  
 D809,571 S \* 2/2018 Park ..... D15/31  
 D819,704 S \* 6/2018 Loew ..... D15/20  
 D826,133 S \* 8/2018 Loew ..... D12/218  
 D837,271 S 1/2019 Tinius

D837,837 S \* 1/2019 Park ..... D15/31  
 D849,802 S \* 5/2019 Loew ..... D15/31  
 D854,056 S \* 7/2019 Futagami ..... D15/31  
 D855,084 S \* 7/2019 Warren ..... D15/31  
 D855,088 S 7/2019 Tinius  
 D858,585 S \* 9/2019 Jilbert ..... D15/31  
 D858,586 S \* 9/2019 Jilbert ..... D15/31  
 D861,741 S \* 10/2019 Humphrey ..... D15/31  
 D866,618 S 11/2019 Wilhelmi  
 D880,537 S \* 4/2020 Roach ..... D15/31  
 D888,107 S \* 6/2020 Pederson ..... D15/28  
 D892,869 S \* 8/2020 Volpato ..... D15/31  
 D894,242 S \* 8/2020 Loew ..... D15/28  
 D894,243 S \* 8/2020 Loew ..... D15/28  
 D896,853 S \* 9/2020 Park ..... D15/31  
 D905,140 S 12/2020 Ferraro et al.  
 D944,297 S \* 2/2022 Jewison ..... D15/28  
 D954,760 S \* 6/2022 Lee ..... D15/28  
 D954,761 S \* 6/2022 Lee ..... D15/28  
 D959,503 S 8/2022 Hoogendoorn  
 2006/0198701 A1 9/2006 Hall et al.  
 2008/0152428 A1 6/2008 Berning et al.  
 2011/0298188 A1 12/2011 Haubrich et al.  
 2012/0068524 A1 3/2012 Hall et al.  
 2013/0158802 A1 6/2013 Miller et al.

\* cited by examiner

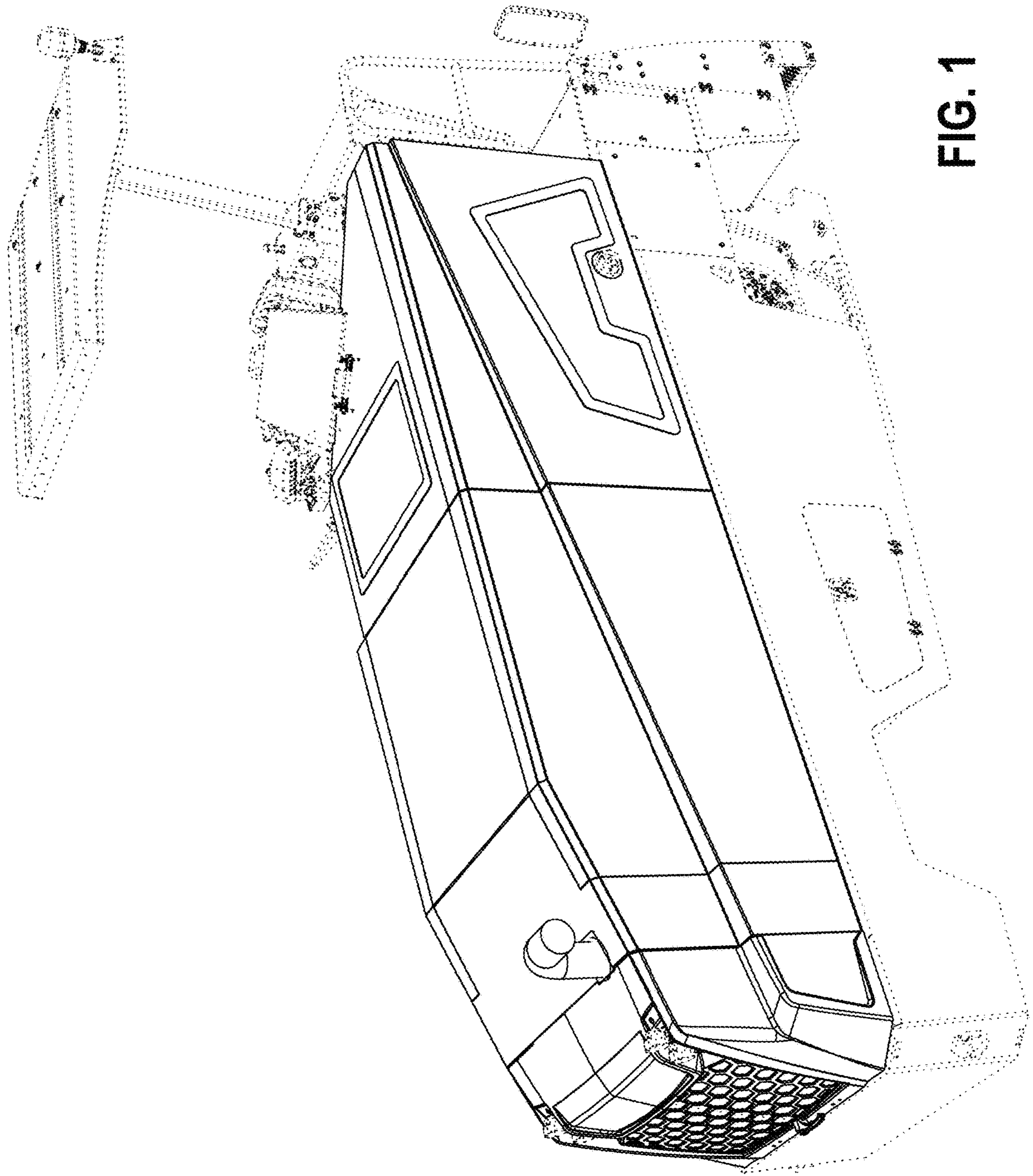
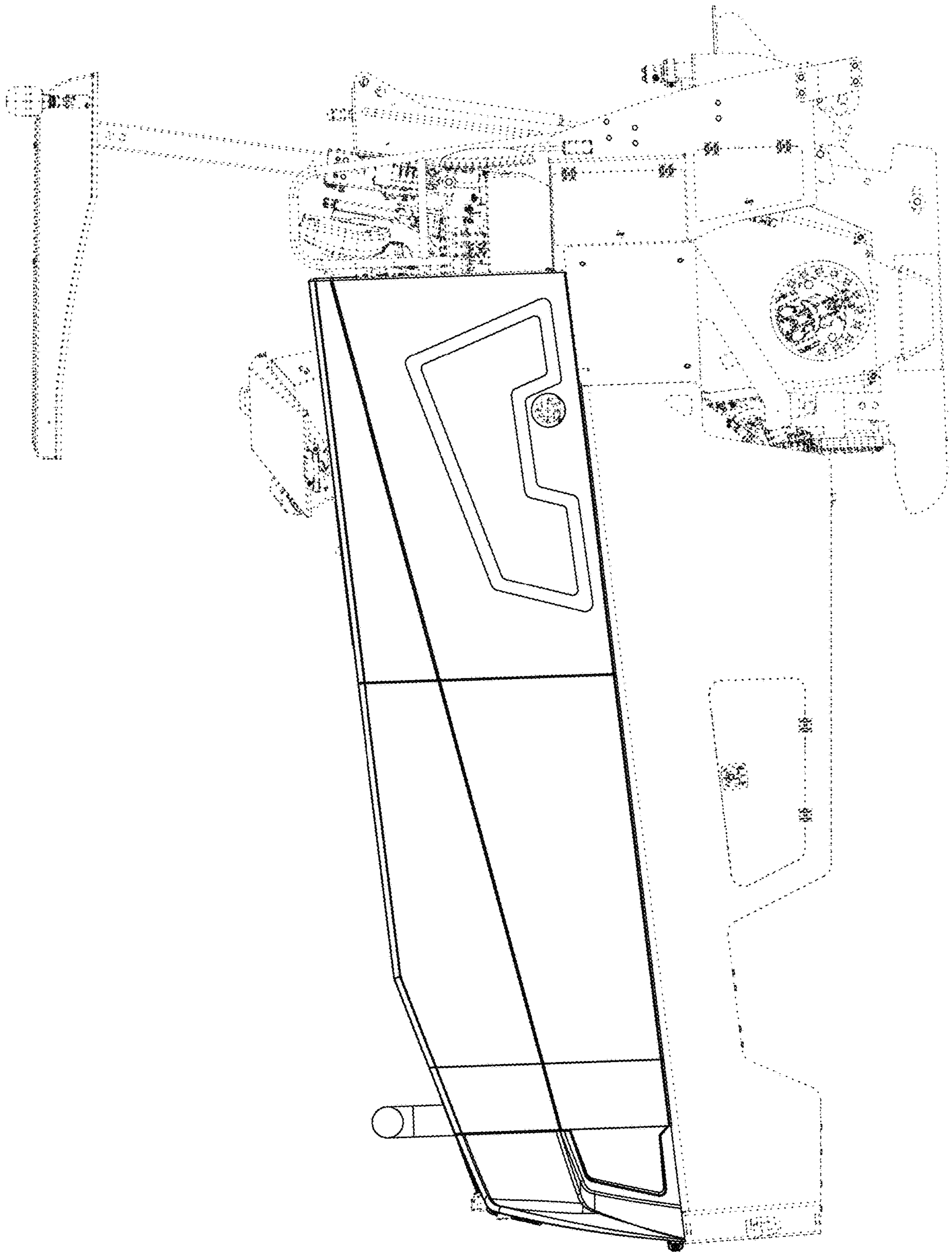


FIG. 1

FIG. 2



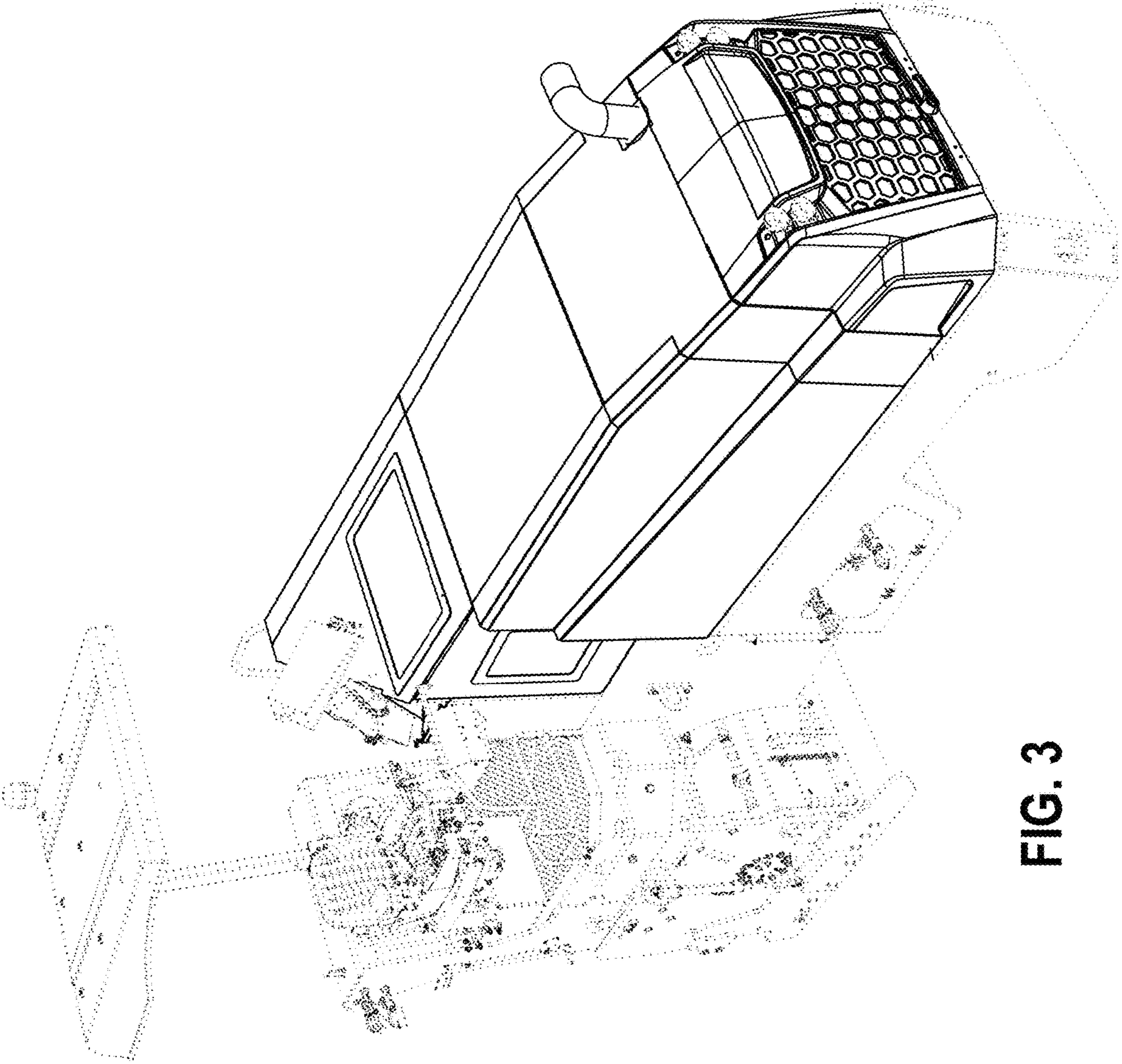


FIG. 3

FIG. 4

