



US00D982620S

(12) **United States Design Patent**
Fujikawa et al.

(10) **Patent No.:** **US D982,620 S**
(45) **Date of Patent:** **** Apr. 4, 2023**

(54) **CAB FOR A CONSTRUCTION MACHINE**
(71) Applicant: **KOBELCO CONSTRUCTION MACHINERY CO., LTD.**, Hiroshima (JP)
(72) Inventors: **Koji Fujikawa**, Hiroshima (JP); **Shintaro Sakitani**, Hiroshima (JP); **Yumiko Matsumura**, Hiroshima (JP); **Kotaro Shinzaki**, Hiroshima (JP)
(73) Assignee: **KOBELCO CONSTRUCTION MACHINERY CO., LTD.**, Hiroshima (JP)
(**) Term: **15 Years**

D497,920 S *	11/2004	Antonetti	D15/30
D523,875 S *	6/2006	Kim	D15/30
D563,437 S *	3/2008	Imashige	D15/24
D607,905 S *	1/2010	Reisenauer	D15/33
D637,630 S *	5/2011	Yamamoto	D15/30
D642,205 S *	7/2011	Yamamoto	D15/30
D660,881 S *	5/2012	Bohme	D15/30
D671,566 S *	11/2012	Fang	D15/30
D707,728 S *	6/2014	Imashige	D15/30
D738,403 S *	9/2015	Imashige et al.	
D830,422 S *	10/2018	Colclough	D15/24
D866,616 S *	11/2019	Jilbert	D15/30
D874,524 S *	2/2020	Iwata	D15/30
D877,782 S *	3/2020	Jilbert	D15/30
D896,852 S *	9/2020	Major	D15/33
D901,553 S *	11/2020	Major	D15/30
D921,060 S *	6/2021	Römer	D15/30
D926,827 S *	8/2021	Behn	D15/30
D928,850 S *	8/2021	Keen	D15/30

(Continued)

(21) Appl. No.: **29/809,461**
(22) Filed: **Sep. 28, 2021**

Primary Examiner — Mark A Goodwin

(74) *Attorney, Agent, or Firm* — Birch, Stewart, Kolasch & Birch, LLP

(30) **Foreign Application Priority Data**

Mar. 29, 2021 (JP) 2021-006481 D

(51) **LOC (14) Cl.** **15-03**

(52) **U.S. Cl.**
USPC **D15/30**

(58) **Field of Classification Search**
USPC D15/28, 30, 31, 22–26; D34/37
CPC .. B66C 13/54; E02F 9/16; E02F 9/163; E02F 9/06; B62D 33/0617; B62D 49/00–085; B62D 33/06–073; B60J 7/00; B60J 1/004; B60J 1/02; B60J 1/04; B60J 5/0487
See application file for complete search history.

(56) **References Cited**

U.S. PATENT DOCUMENTS

D432,144 S *	10/2000	Kraft	D15/30
D481,044 S *	10/2003	Tokach	D15/30
D494,986 S *	8/2004	Tokach	D15/30

(57) **CLAIM**

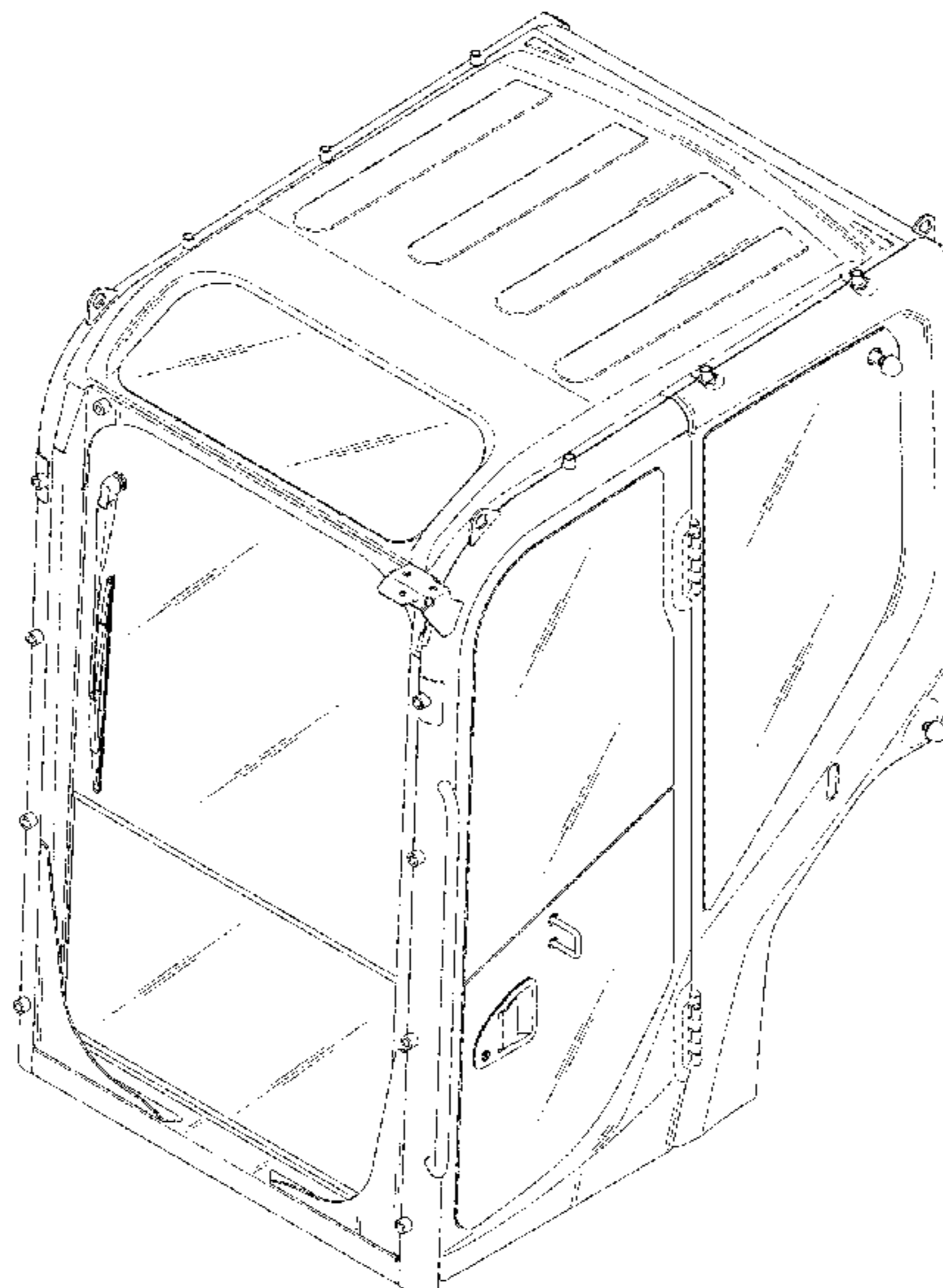
The ornamental design for a cab for a construction machine, as shown and described.

DESCRIPTION

FIG. 1 is a first perspective view of a cab for a construction machine showing our new design;
FIG. 2 is a second perspective view thereof;
FIG. 3 is a front view thereof;
FIG. 4 is a rear view thereof;
FIG. 5 is a left side view thereof;
FIG. 6 is a right side view thereof;
FIG. 7 is a top view thereof; and,
FIG. 8 is a bottom view thereof.

The broken lines depict portions of the cab for a construction machine in which the design is embodied that are not considered part of the claimed design.

1 Claim, 8 Drawing Sheets



(56)

References Cited

U.S. PATENT DOCUMENTS

D929,470 S	*	8/2021	Römer	D15/30
D936,113 S	*	11/2021	Henry	D15/30
D936,114 S	*	11/2021	Hagner	D15/30
D943,010 S	*	2/2022	Das	D15/30

* cited by examiner

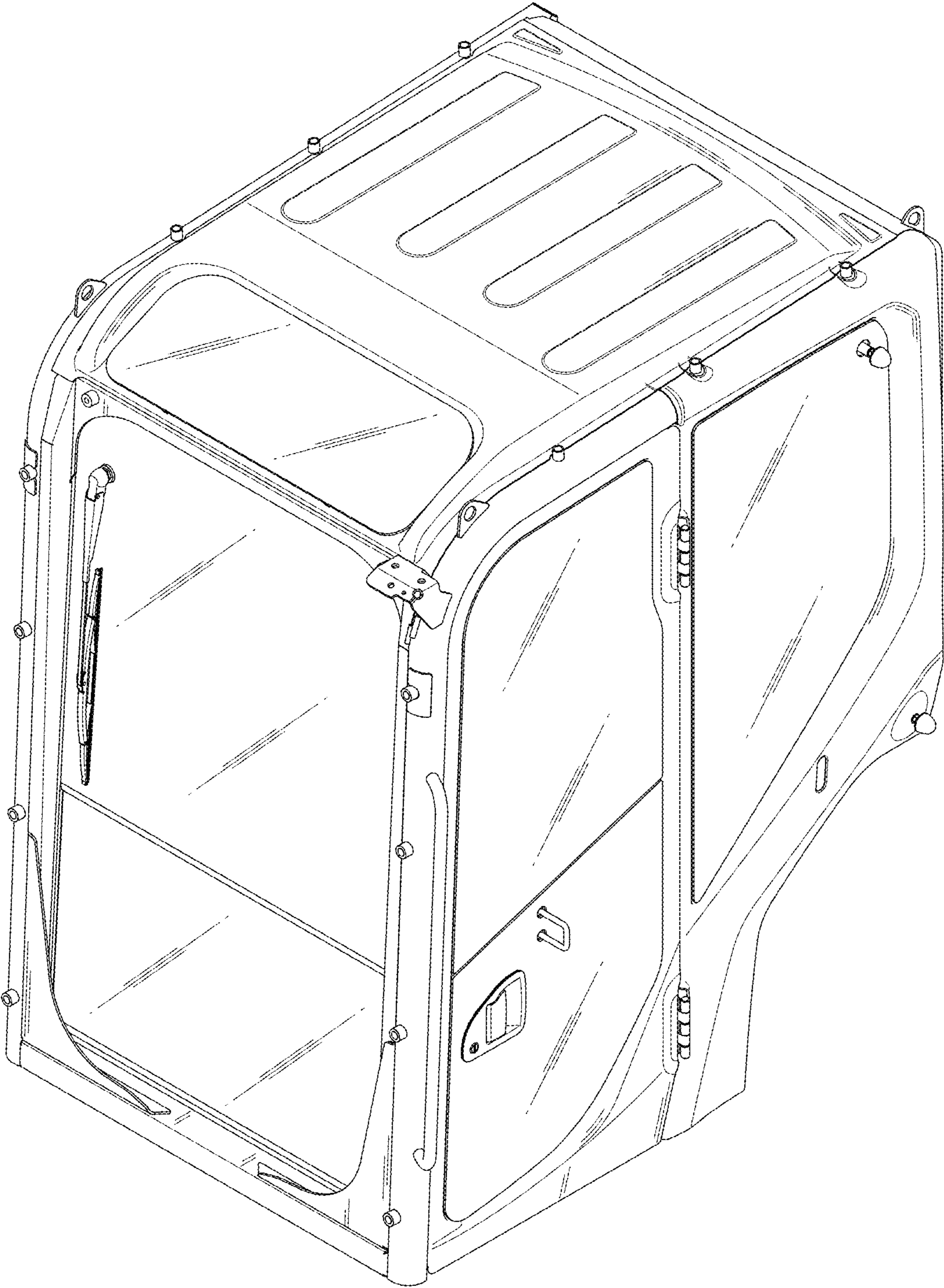


Fig. 1

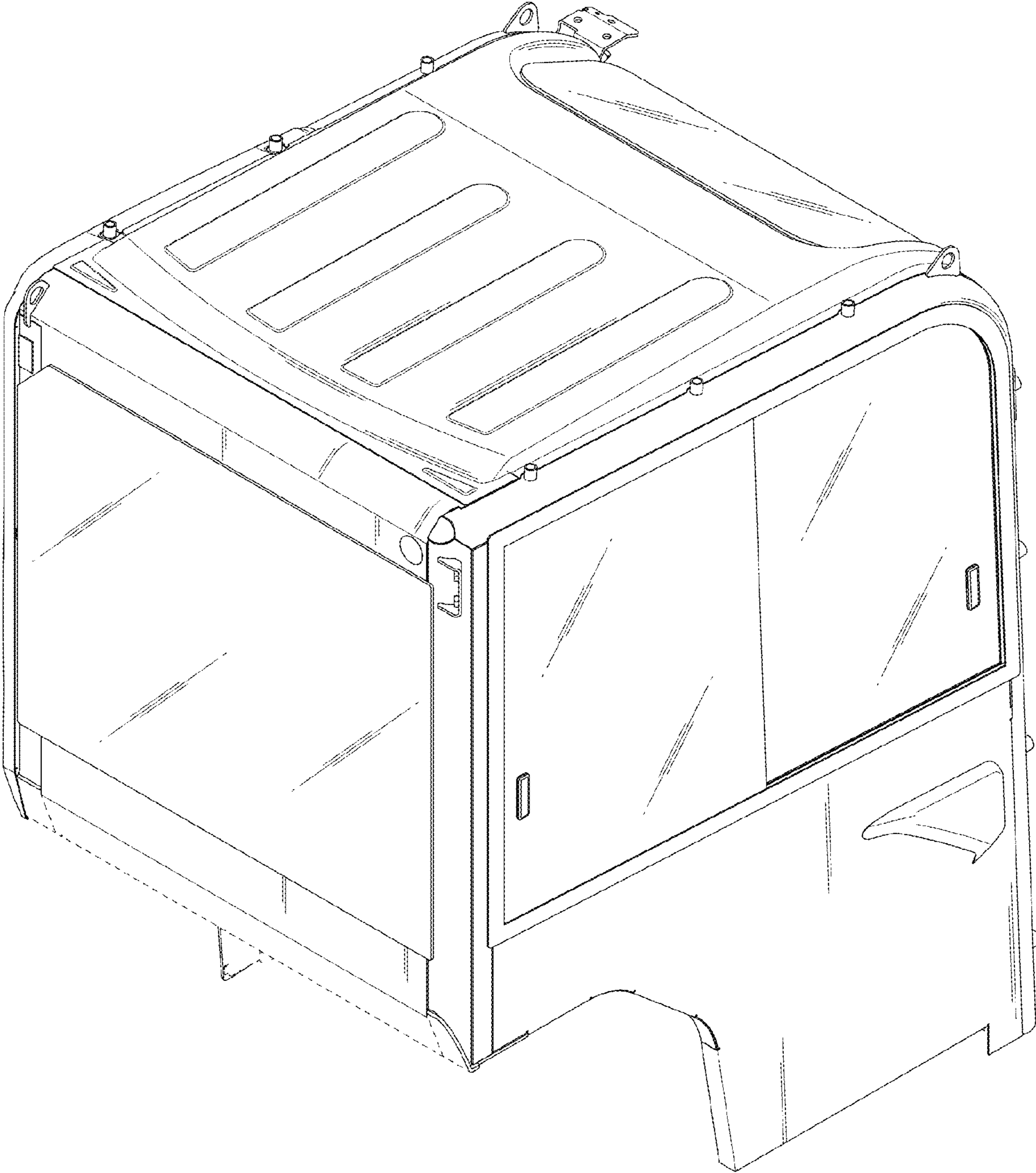


Fig.2

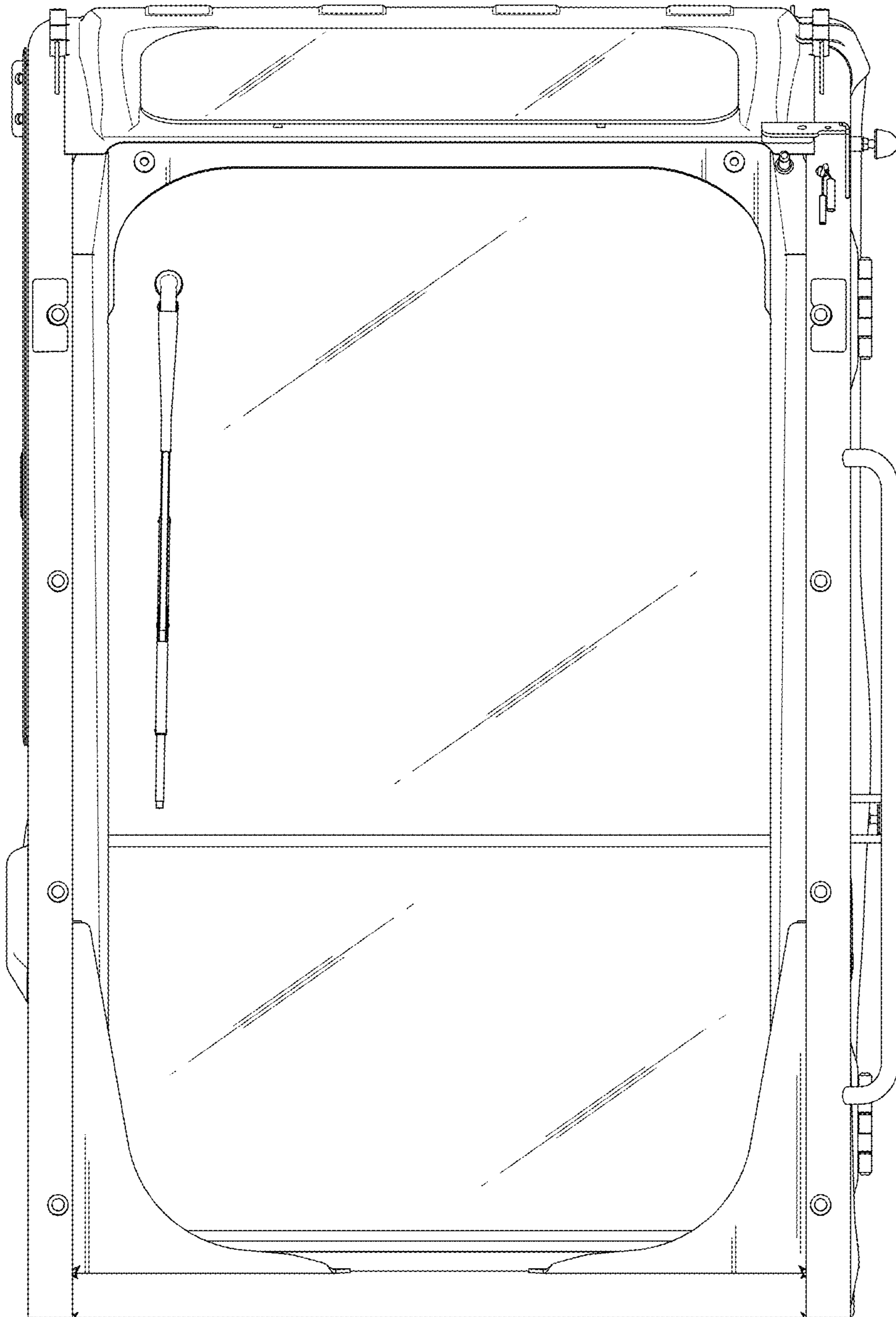


Fig. 3

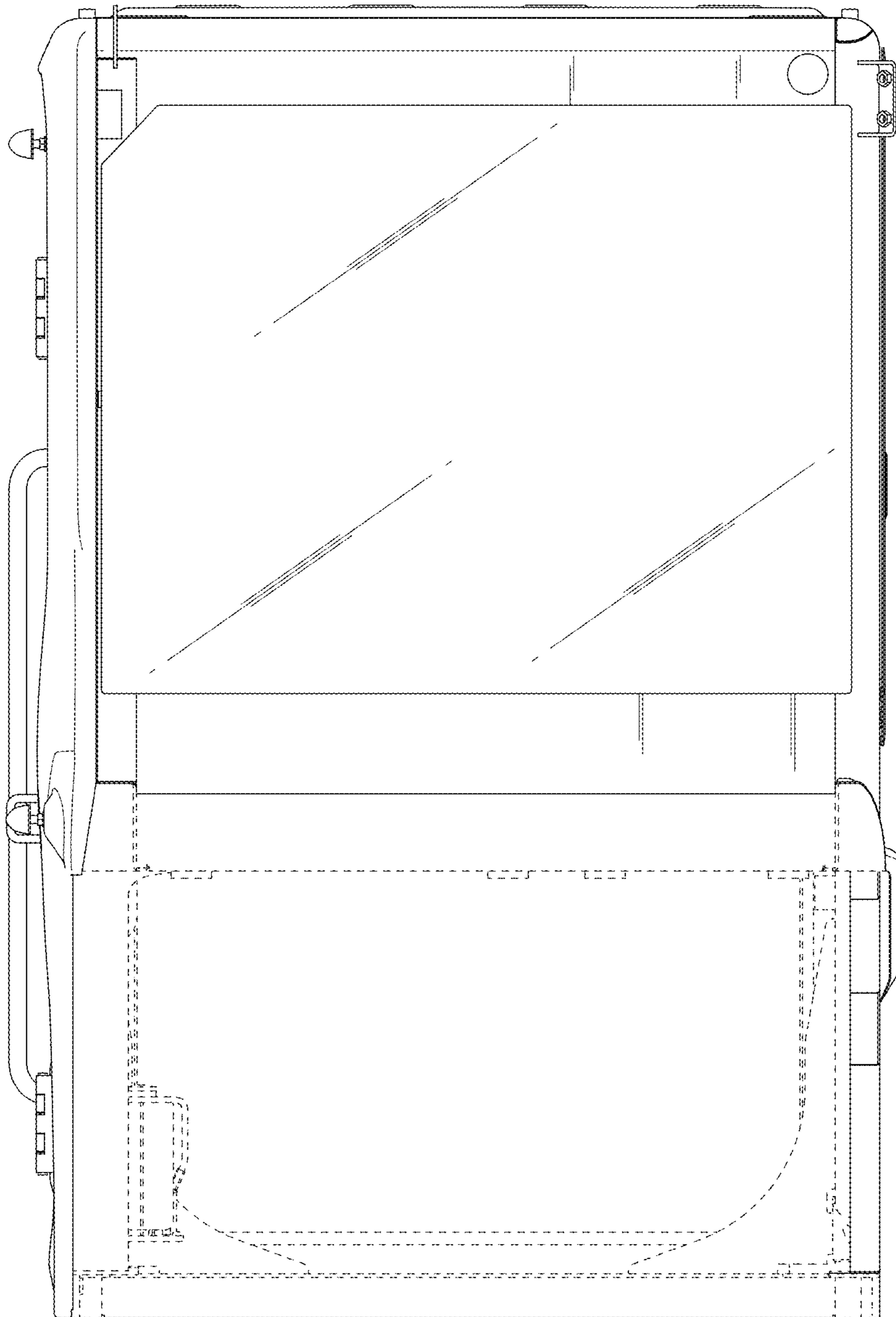


Fig.4

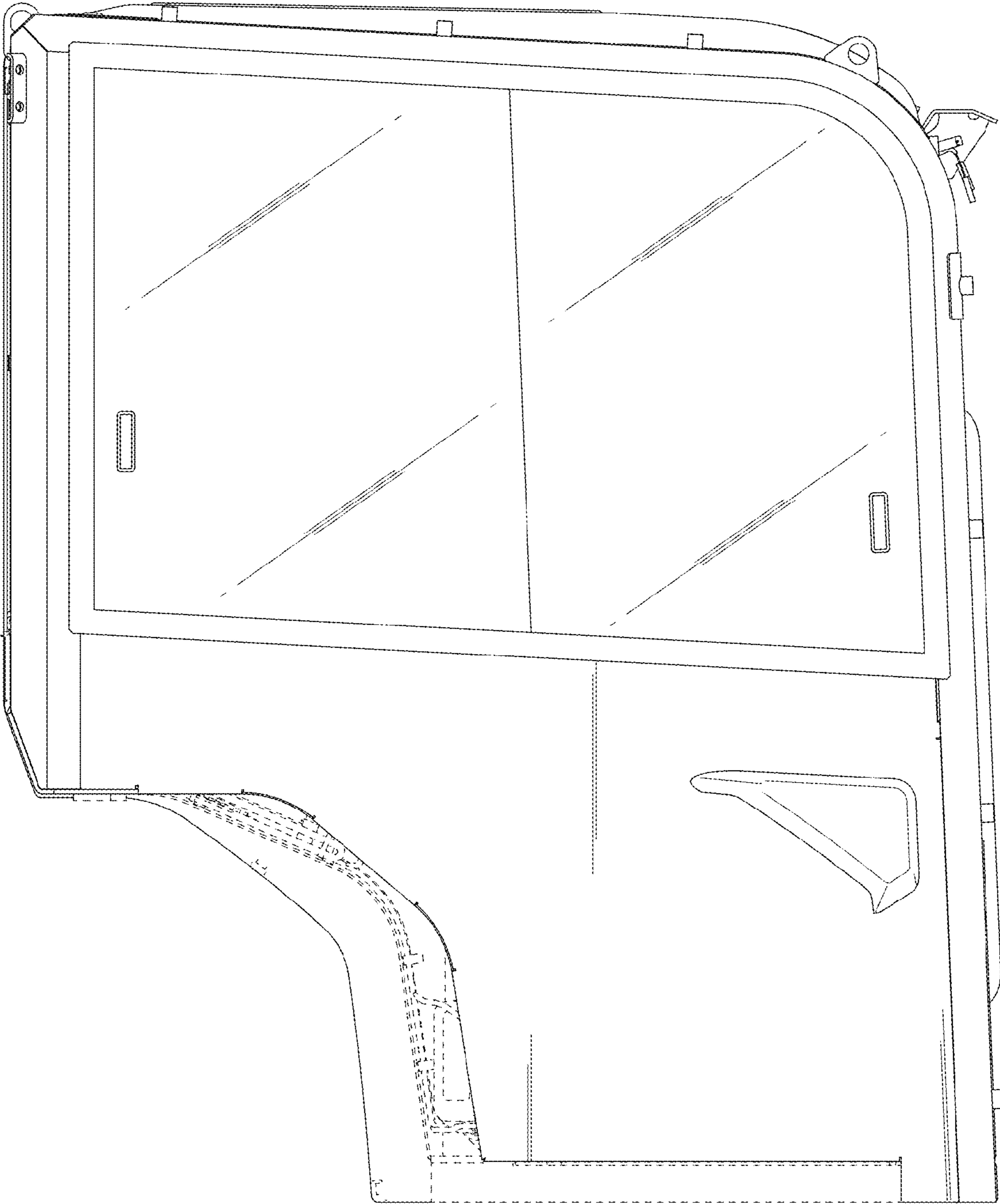


Fig.5

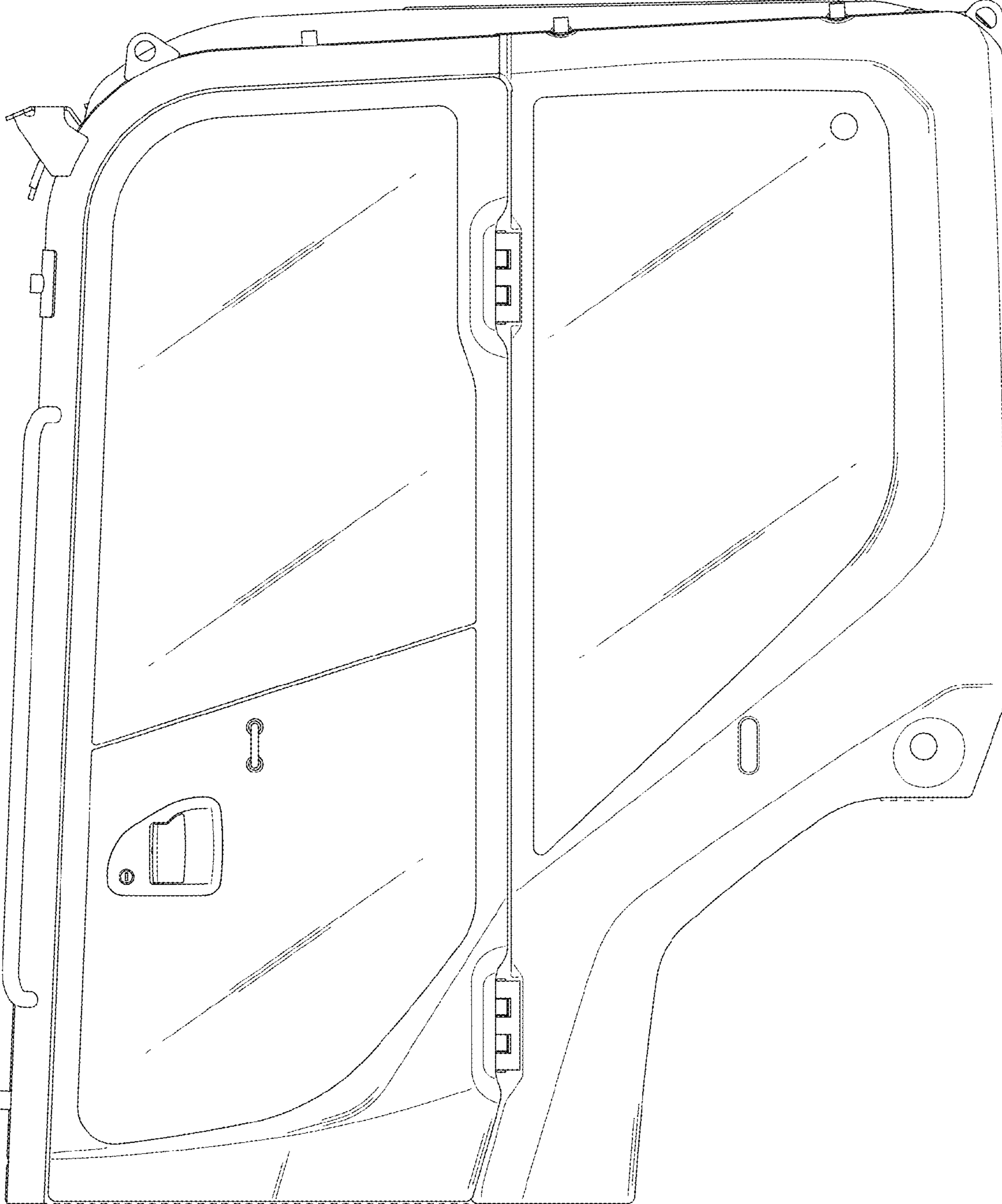


Fig.6

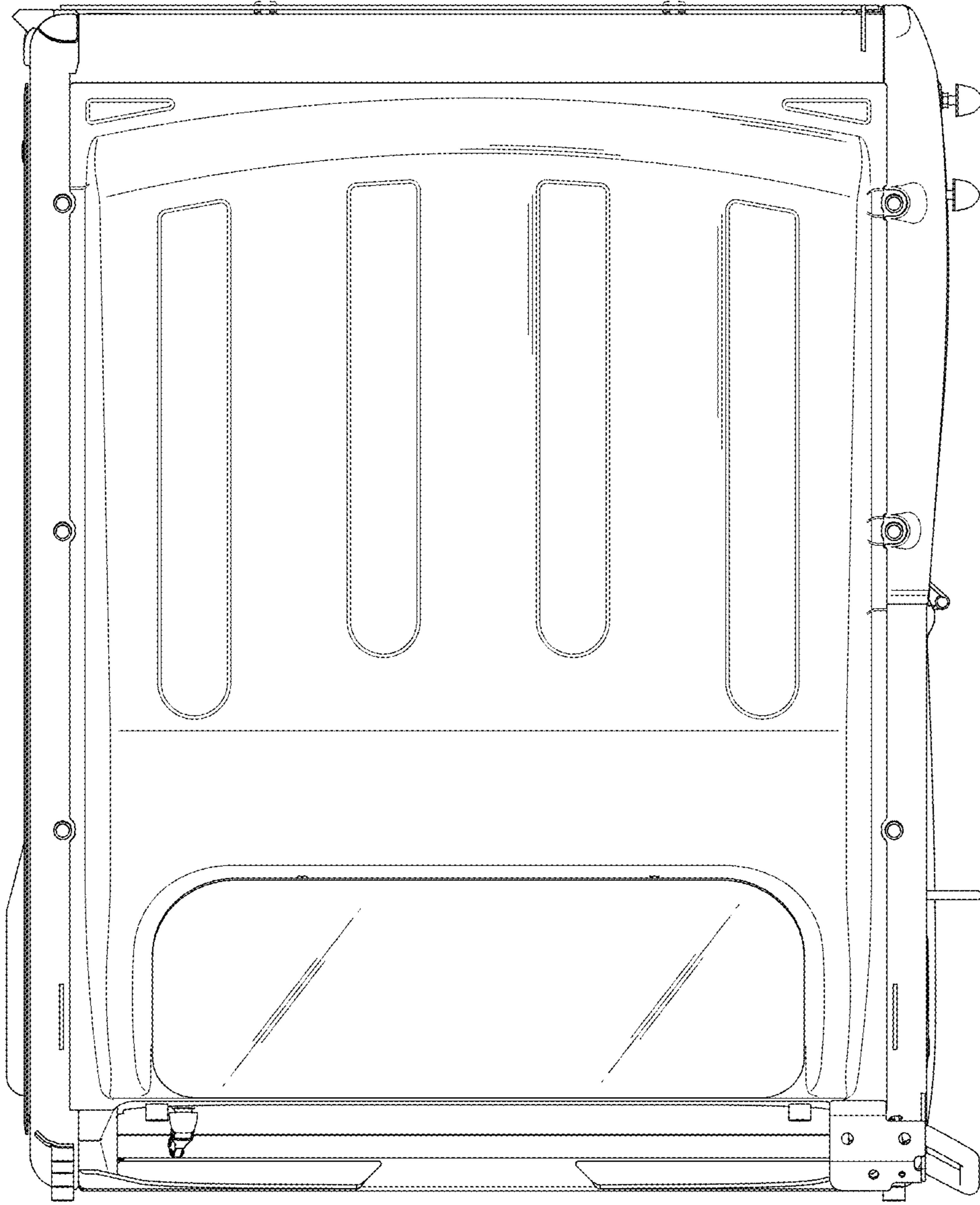


Fig.7

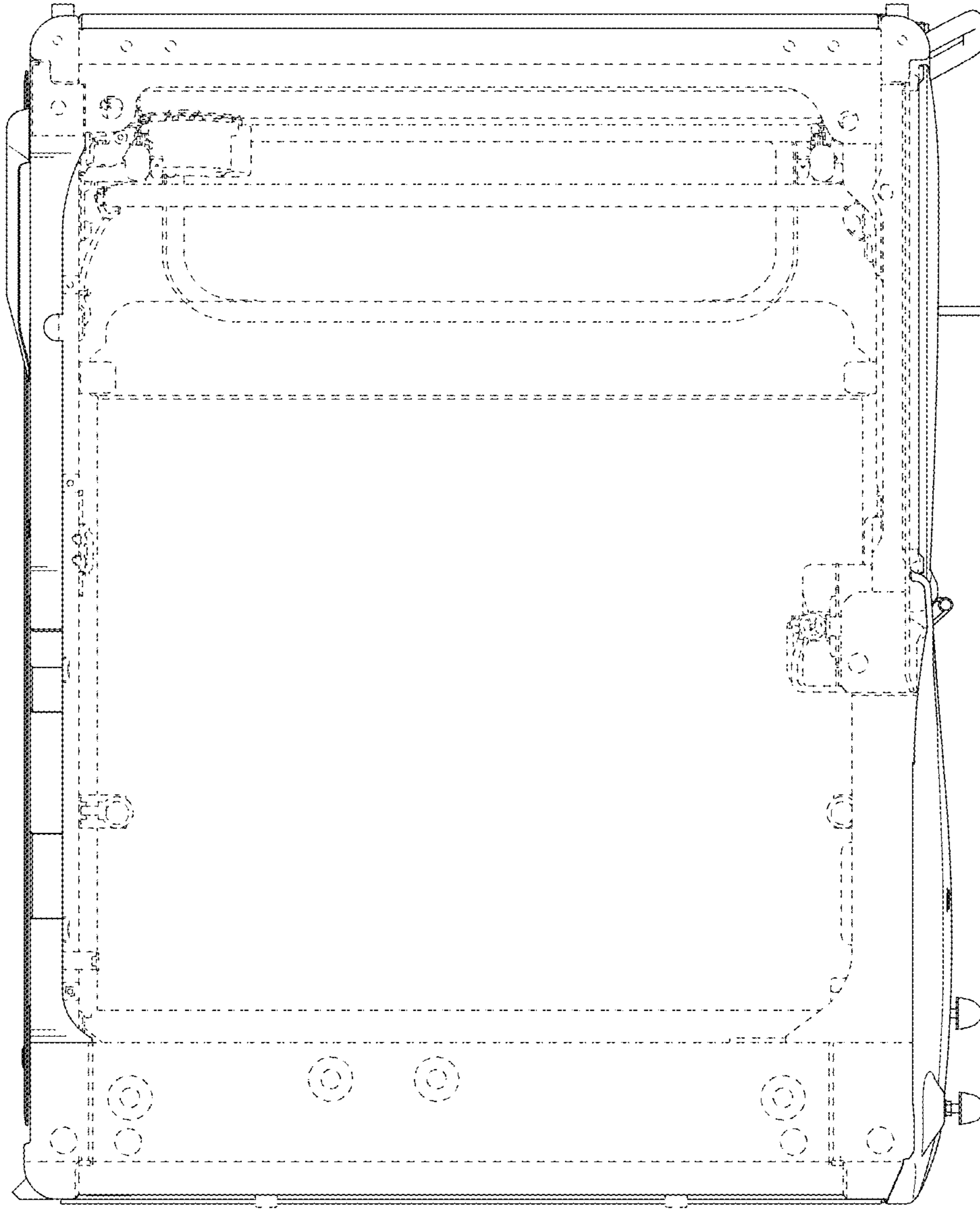


Fig. 8