



US00D982617S

(12) **United States Design Patent**
Lietonen et al.

(10) **Patent No.:** **US D982,617 S**

(45) **Date of Patent:** **** Apr. 4, 2023**

(54) **MINING TRUCK**

(71) Applicant: **Sandvik Mining and Construction Oy, Tampere (FI)**

(72) Inventors: **Jani Lietonen, Tampere (FI); Esko Laihonen, Tampere (FI); Kyle Hickey, Tampere (FI)**

(73) Assignee: **Sandvik Mining and Construction Oy, Tampere (FI)**

(**) Term: **15 Years**

(21) Appl. No.: **29/805,131**

(22) Filed: **Aug. 25, 2021**

(51) **LOC (14) Cl.** **12-09**

(52) **U.S. Cl.**
USPC **D15/23**

(58) **Field of Classification Search**
USPC D15/10-33; D12/11, 86, 88, 90-92, 164, D12/169, 196; D21/548, 560
CPC .. B60Y 2306/01; B60K 11/085; E02F 9/0841
See application file for complete search history.

(56) **References Cited**

U.S. PATENT DOCUMENTS

- D153,638 S * 5/1949 Remde D15/22
- D203,668 S * 2/1966 Wagner D15/25
- 3,279,630 A * 10/1966 Trieschmann E02F 3/3486
37/444
- 3,866,781 A * 2/1975 Stedman E02F 9/0841
414/715
- D262,973 S * 2/1982 Griffin D15/21

- D281,428 S * 11/1985 Kent D15/21
- D878,969 S 3/2020 Huff et al.
- 10,836,242 B2 * 11/2020 Huff B60P 1/04
- D909,424 S * 2/2021 Ramos D15/30
- D959,501 S * 8/2022 Hickey D15/23
- D968,475 S * 11/2022 Timonen D15/25
- 2015/0071747 A1 * 3/2015 Deahl B60L 50/64
414/469
- 2018/0334782 A1 * 11/2018 Huff E02F 3/3411

* cited by examiner

Primary Examiner — Mark A Goodwin

(74) *Attorney, Agent, or Firm* — Banner & Witcoff, Ltd.

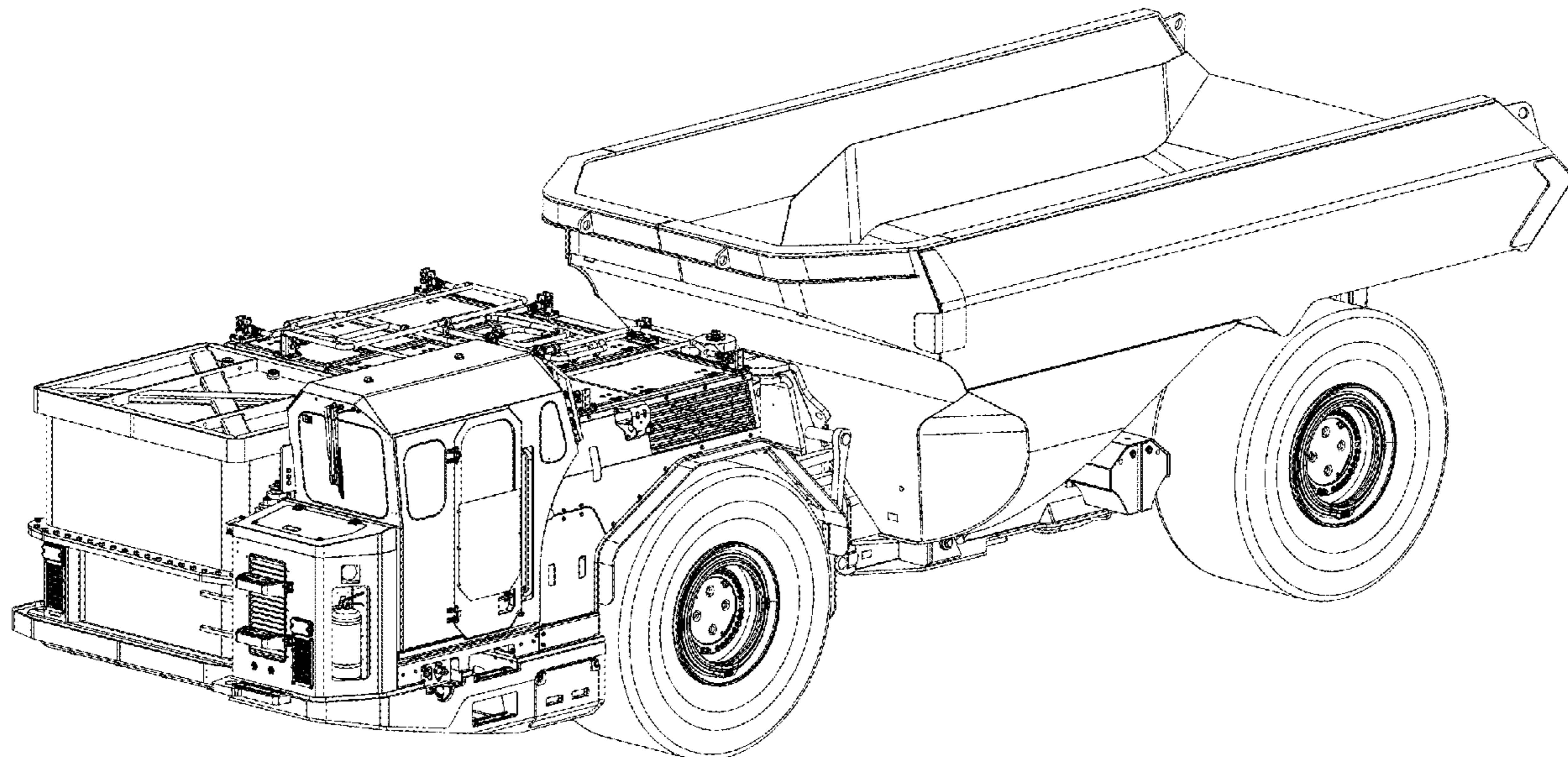
(57) **CLAIM**

The ornamental design for a mining truck, as shown and described.

DESCRIPTION

FIG. 1 is a perspective right front view of a mining truck showing our new design;
 FIG. 2 is a perspective left front view thereof;
 FIG. 3 is a perspective right rear view thereof;
 FIG. 4 is a perspective left rear view thereof;
 FIG. 5 is a front view thereof;
 FIG. 6 is a rear view thereof;
 FIG. 7 is a left side view thereof;
 FIG. 8 is a right side view thereof; and,
 FIG. 9 is a top plan view thereof.

1 Claim, 9 Drawing Sheets



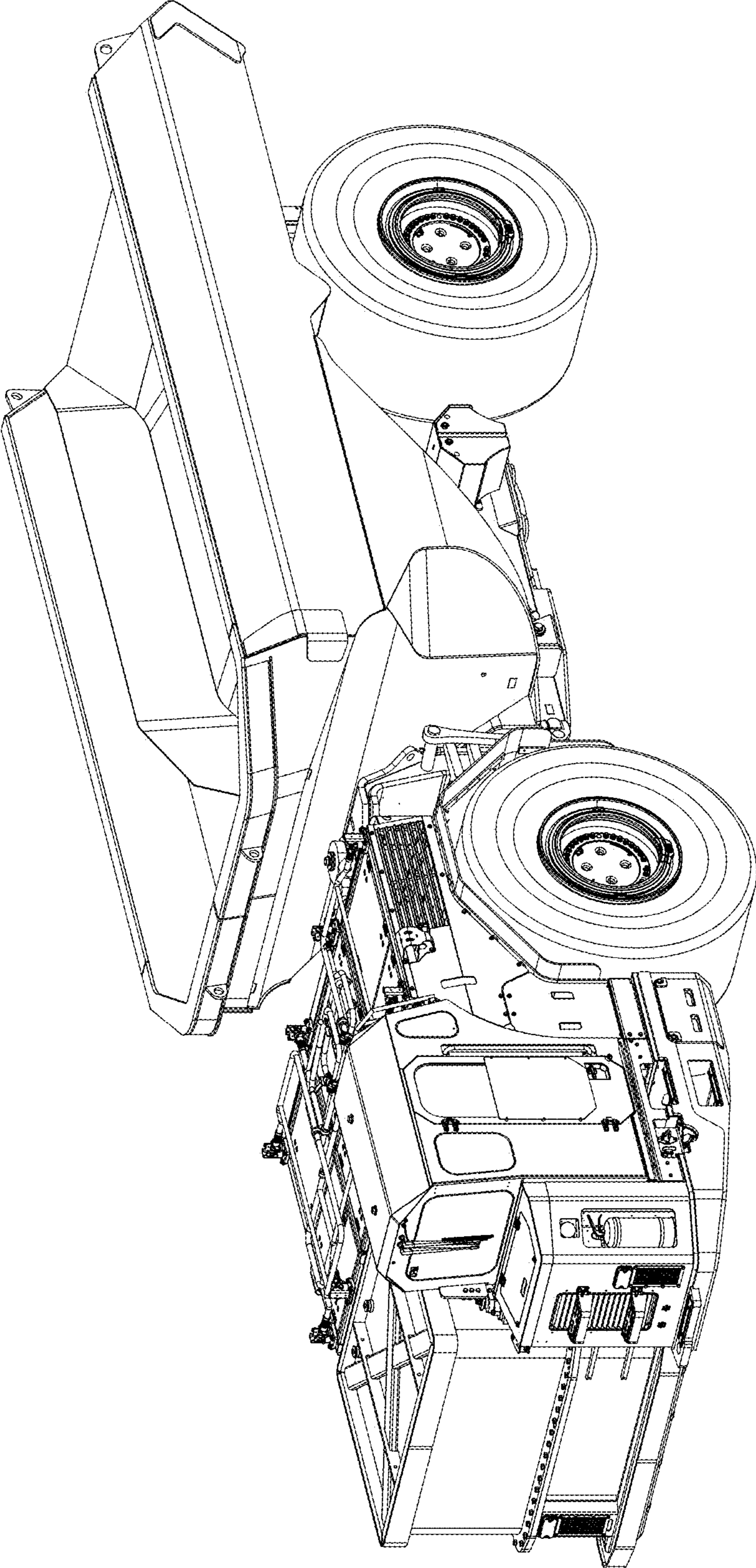


FIG. 1

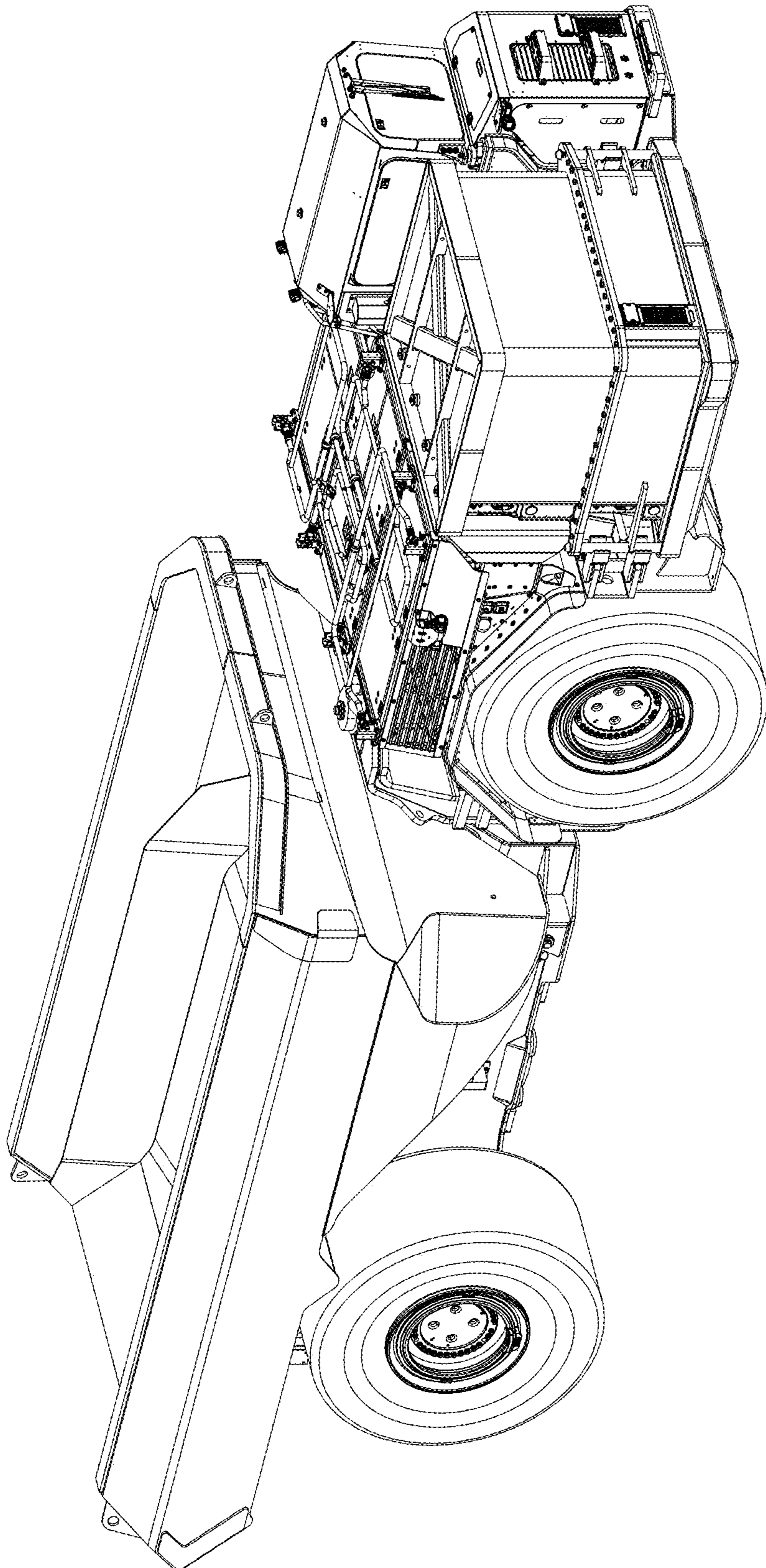


FIG. 2

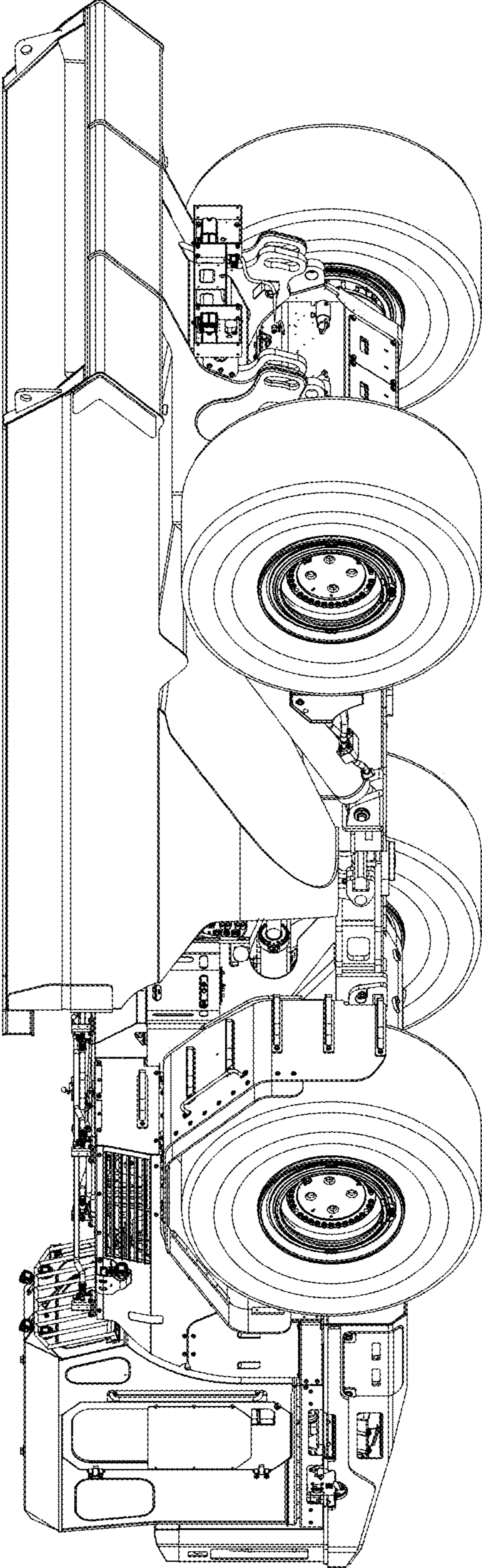


FIG. 3

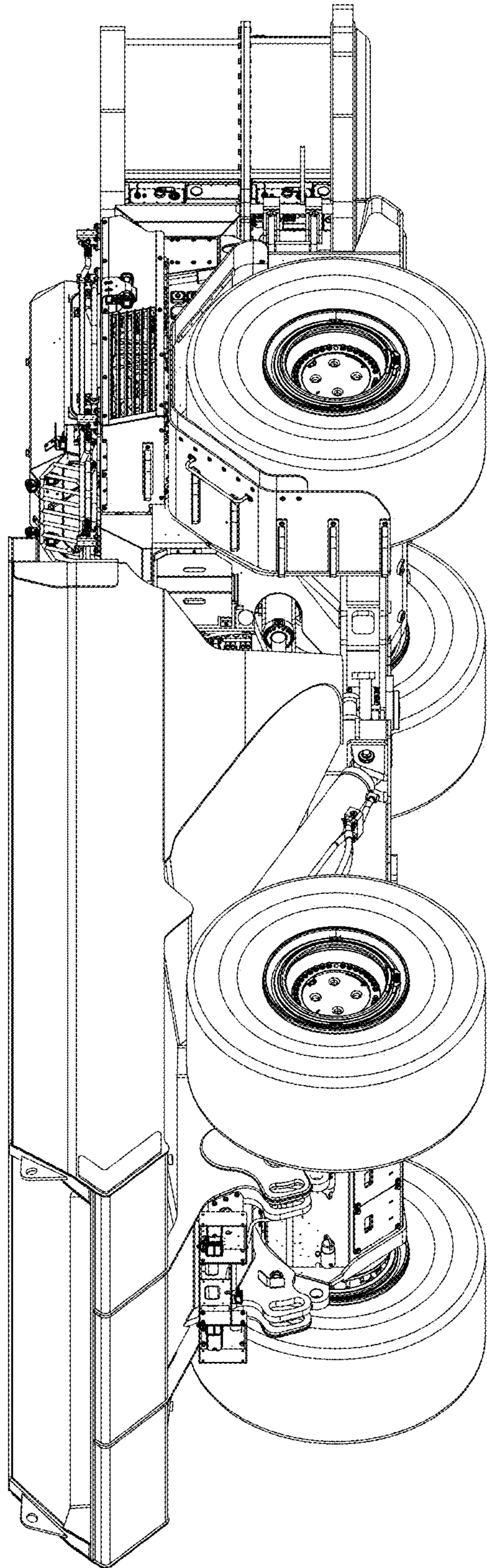


FIG. 4

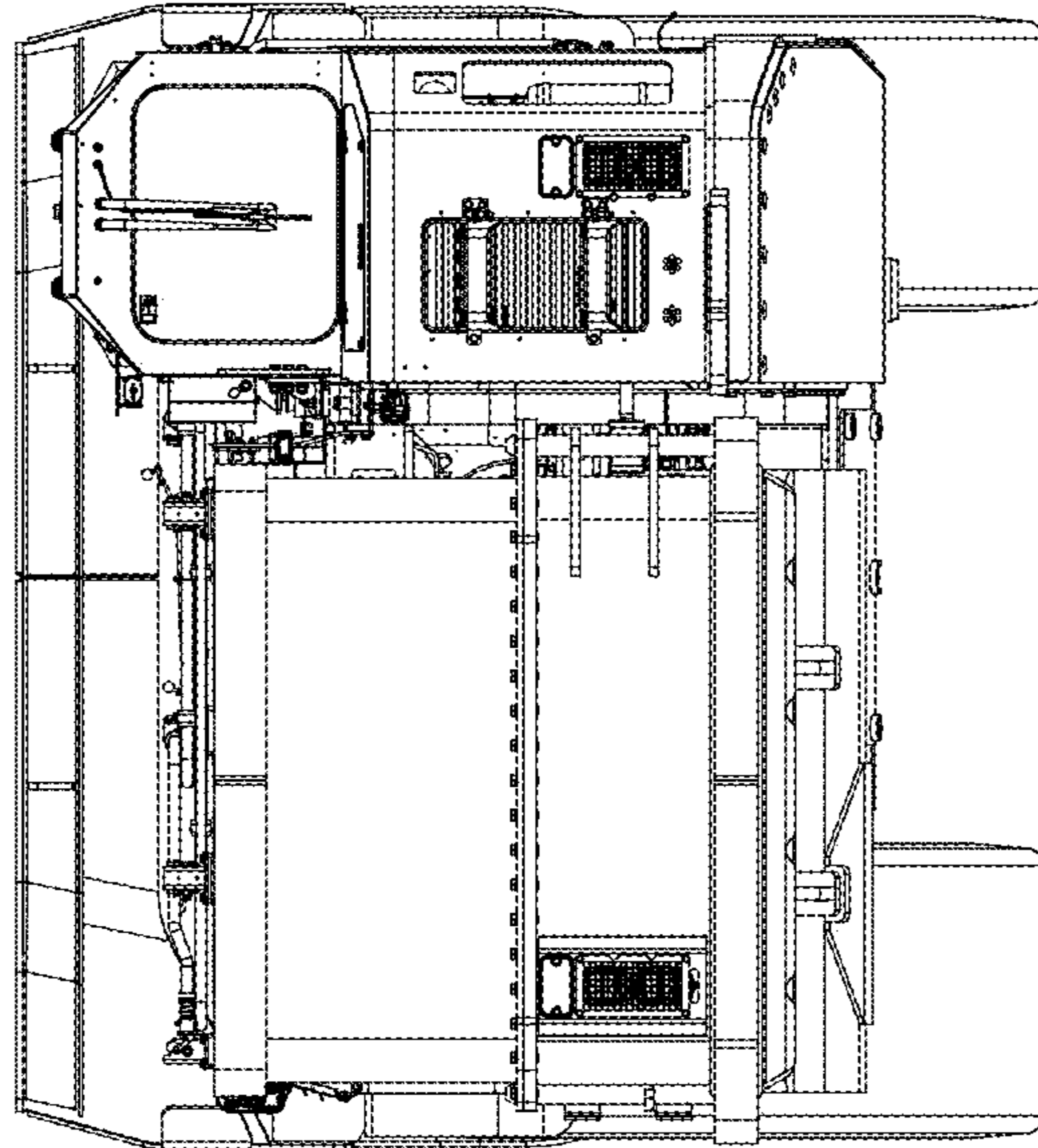


FIG. 5

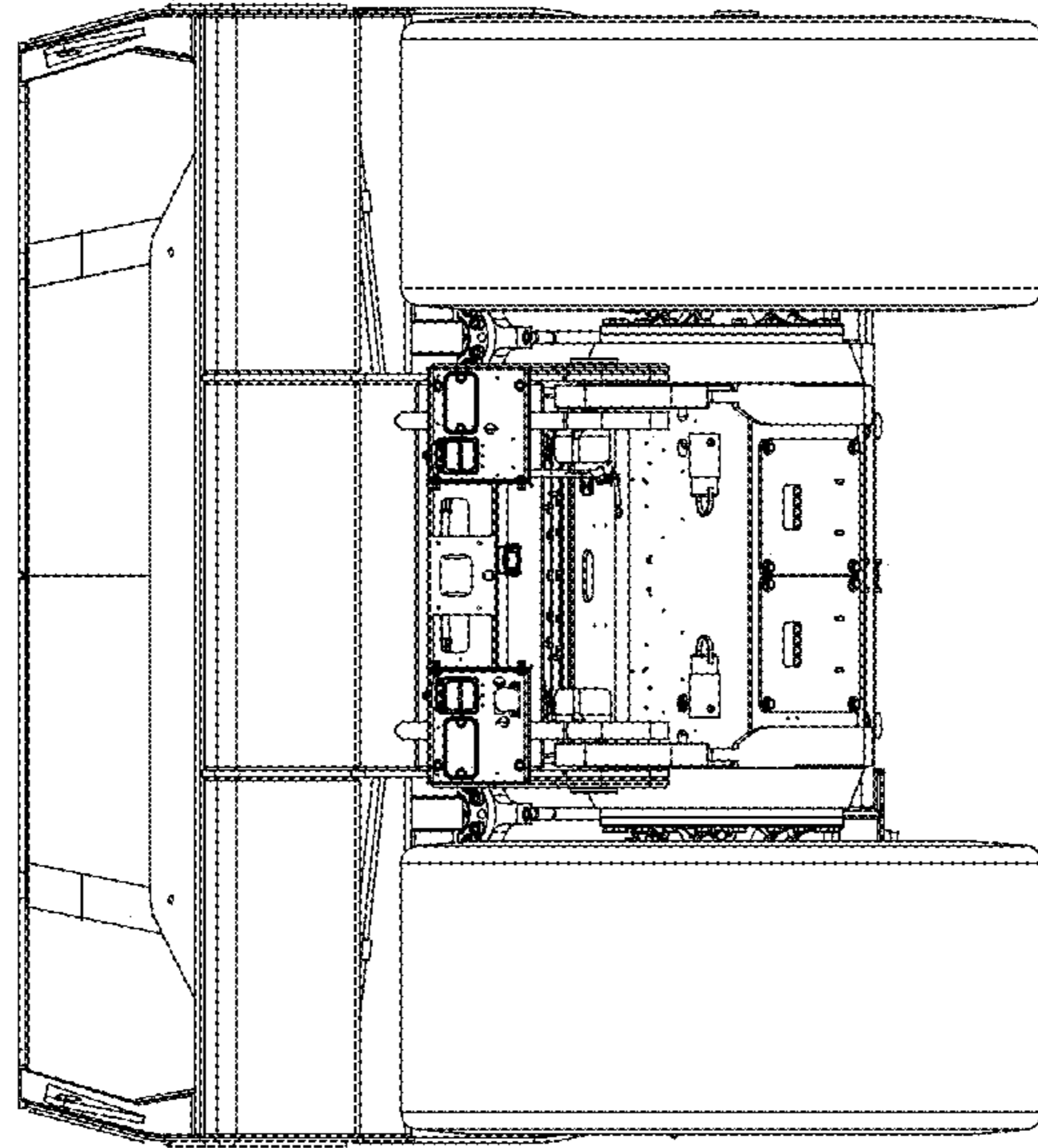


FIG. 6

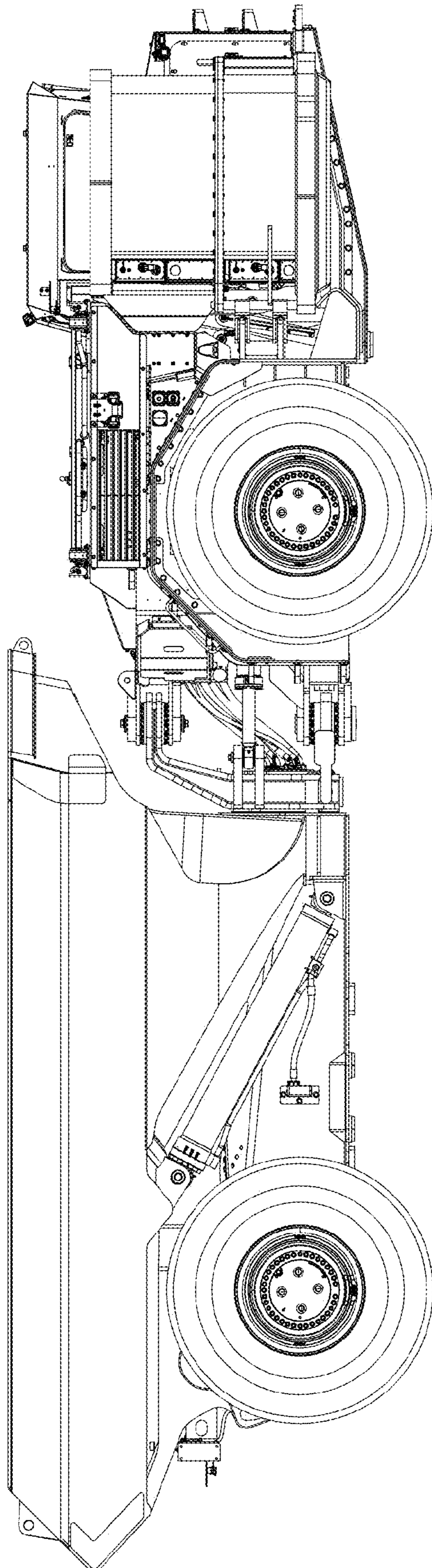


FIG. 7

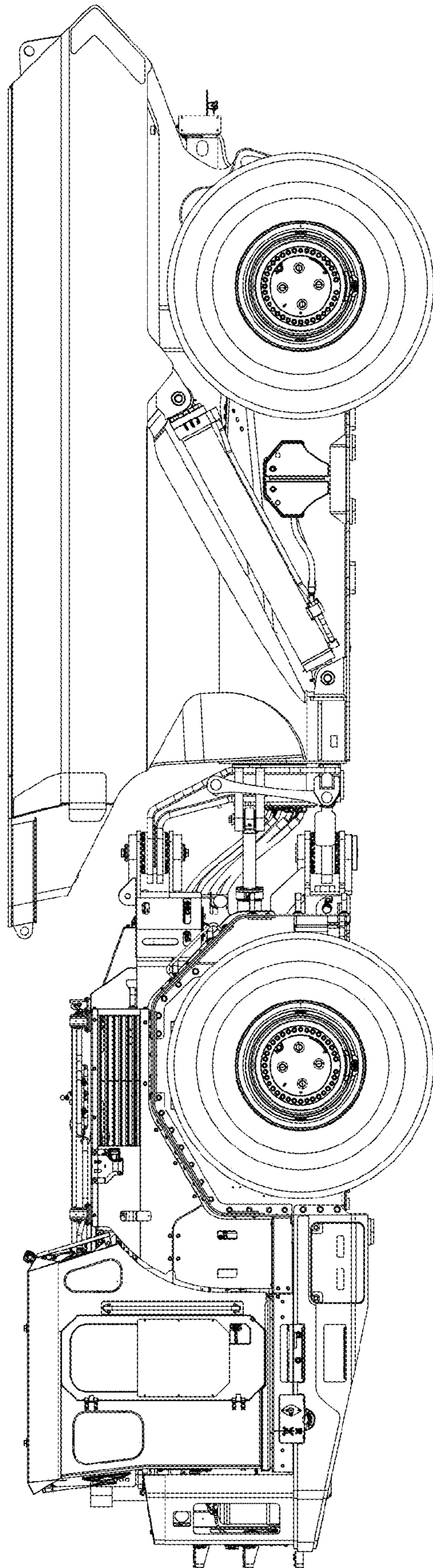


FIG. 8

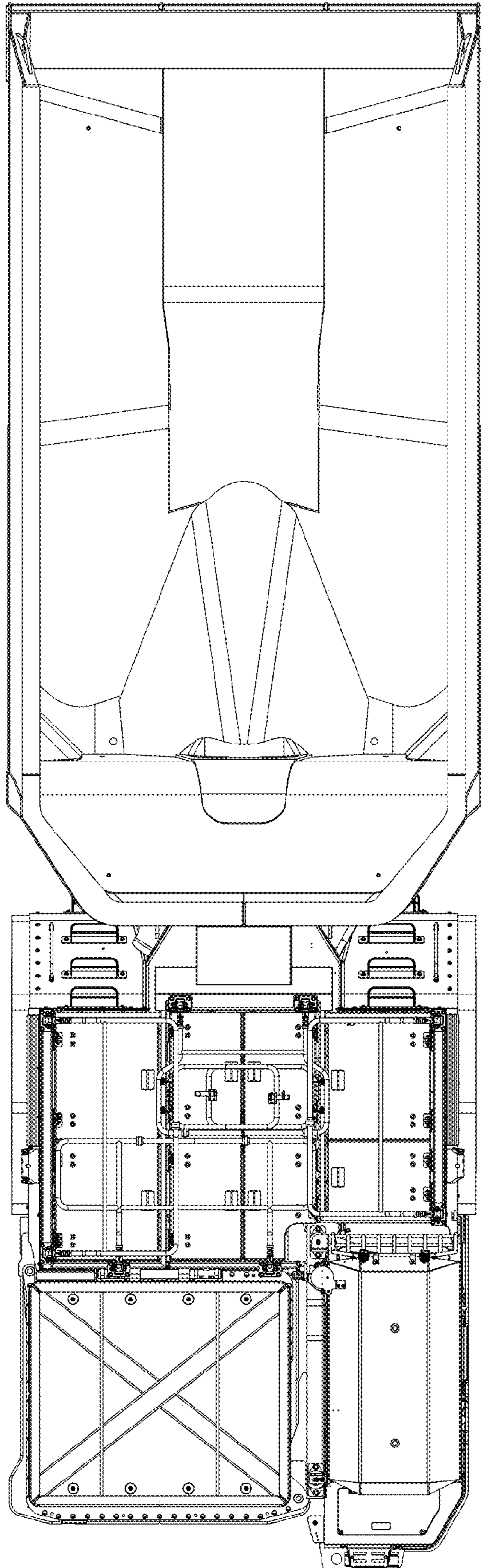


FIG. 9

UNITED STATES PATENT AND TRADEMARK OFFICE
CERTIFICATE OF CORRECTION


PATENT NO. : D982,617 S
APPLICATION NO. : 29/805131
DATED : April 4, 2023
INVENTOR(S) : Jani Lietonen et al.

Page 1 of 1

It is certified that error appears in the above-identified patent and that said Letters Patent is hereby corrected as shown below:

On the Title Page

At (72) – Inventors: “Kyle Hickey Tampere (FI)” should be “Kyle Hickey Camarillo CA (US)”

Signed and Sealed this
Twenty-second Day of August, 2023


Katherine Kelly Vidal
Director of the United States Patent and Trademark Office