



US00D982616S

(12) **United States Design Patent**  
**Feng**

(10) **Patent No.:** **US D982,616 S**

(45) **Date of Patent:** **\*\* Apr. 4, 2023**

(54) **POWER TILLER BLADE**

(71) Applicant: **TAIZHOU KUNSHAN  
MECHANICAL & ELECTRICAL  
CO., LTD.**, Taizhou (CN)

(72) Inventor: **Chen Feng**, Taizhou (CN)

(\*\*) Term: **15 Years**

(21) Appl. No.: **29/801,218**

(22) Filed: **Jul. 28, 2021**

(51) **LOC (14) Cl.** ..... **15-03**

(52) **U.S. Cl.**  
USPC ..... **D15/11**

(58) **Field of Classification Search**  
USPC ..... D15/10-12; 172/41-44, 57, 72, 78, 74,  
172/250, 256, 260, 329, 351, 365  
CPC ..... A01B 33/028  
See application file for complete search history.

(56) **References Cited**

**U.S. PATENT DOCUMENTS**

4,062,408	A *	12/1977	Enters	.....	A01B 33/142	172/123
D249,518	S *	9/1978	Cognata	.....	D15/12	
4,133,390	A *	1/1979	Reaume	.....	A01B 33/103	172/43
4,191,259	A *	3/1980	Boren	.....	A01B 33/103	172/27
D260,397	S *	8/1981	Bartlett	.....	D15/29	
4,373,590	A *	2/1983	Wittrock	.....	A01B 73/042	172/776
4,467,874	A *	8/1984	Wittrock	.....	A01B 33/08	172/548
D297,238	S *	8/1988	Horikawa	.....	D15/11	
D354,496	S *	1/1995	Katoh	.....	D15/12	
5,573,069	A *	11/1996	Shipley	.....	A01B 33/142	D15/12
D475,067	S *	5/2003	Ito	.....	D15/12	

D486,502	S *	2/2004	Yuzuriha	.....	D15/12	
D523,448	S *	6/2006	Jackson	.....	D15/28	
D540,827	S *	4/2007	Notaras	.....	D15/12	
D567,822	S *	4/2008	Martz	.....	D15/12	
D607,017	S *	12/2009	Fraley	.....	D15/27	
D613,772	S *	4/2010	Azuma	.....	D15/12	
7,814,984	B1 *	10/2010	Fraley	.....	A01B 33/08	172/35
7,878,260	B2 *	2/2011	Notaras	.....	A01B 33/028	172/42
D635,153	S *	3/2011	Gerbaud	.....	D15/12	
D654,509	S *	2/2012	Baetica	.....	D15/12	
D654,510	S *	2/2012	Baetica	.....	D15/12	
8,499,848	B2 *	8/2013	Colber, Jr.	.....	A01B 33/087	172/123
9,763,372	B2 *	9/2017	Modzik	.....	A01B 33/103	
9,888,621	B2 *	2/2018	Wehler	.....	A01B 33/12	
D908,738	S *	1/2021	Tachibana	.....	D15/12	

(Continued)

*Primary Examiner* — Mark A Goodwin

(74) *Attorney, Agent, or Firm* — Rumit Ranjit Kanakia

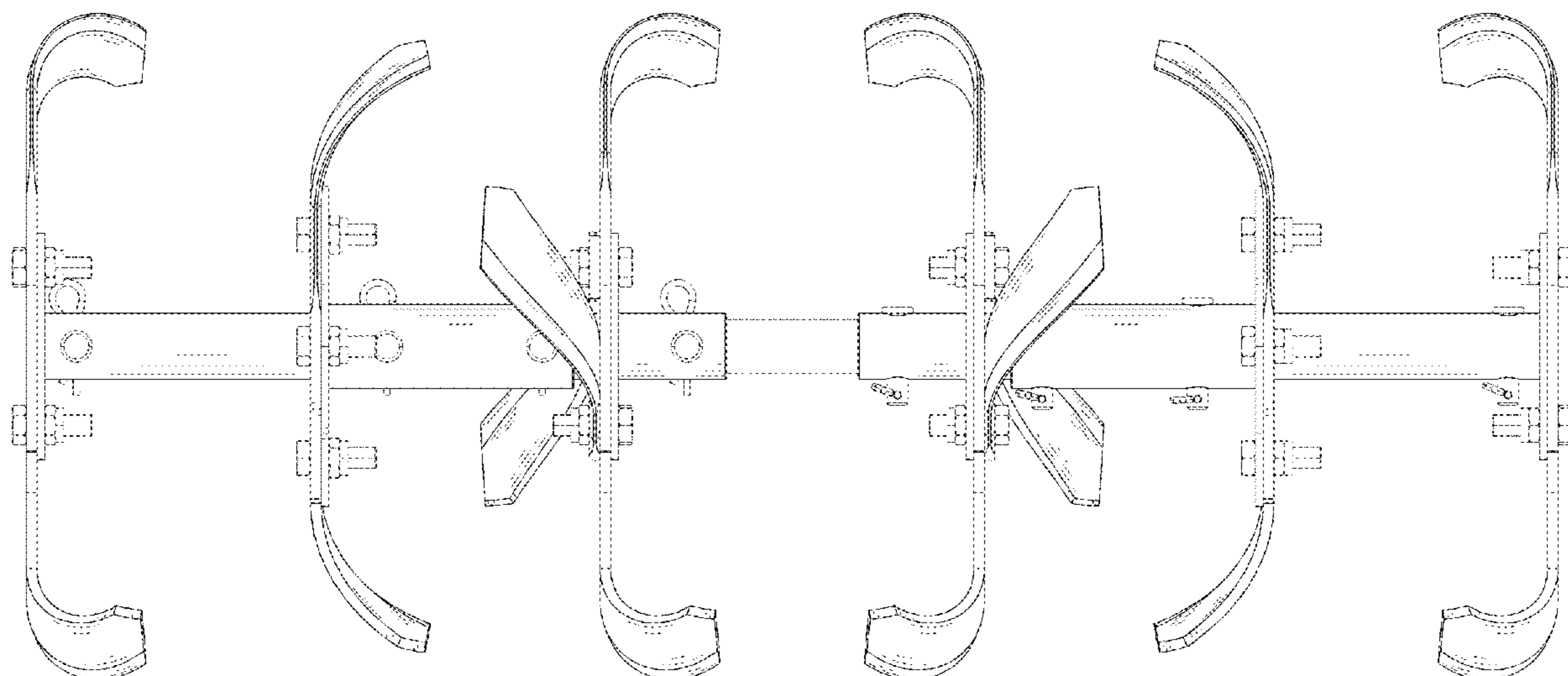
(57) **CLAIM**

The ornamental design for a power tiller blade, as shown and described.

**DESCRIPTION**

FIG. 1 is a front elevational view of a power tiller blade showing my new design;  
 FIG. 2 is a rear elevational view thereof; and  
 FIG. 3 is a left side view thereof;  
 FIG. 4 is a right side view thereof;  
 FIG. 5 is a top plan view thereof;  
 FIG. 6 is a bottom plan view thereof;  
 FIG. 7 is a perspective view of a power tiller blade showing my new design; and,  
 FIG. 8 is another perspective view thereof.  
 The broken lines in the figures are for the purposes of illustrating portions of the power tiller blade, which form no part of the claimed design.

**1 Claim, 8 Drawing Sheets**



(56)

**References Cited**

U.S. PATENT DOCUMENTS

2004/0149457 A1\* 8/2004 Yamazaki ..... B62D 51/04  
172/42  
2005/0016424 A1\* 1/2005 Ellington ..... A01C 5/064  
111/52  
2011/0209886 A1\* 9/2011 Gendelman ..... A01B 33/028  
172/112  
2013/0032364 A1\* 2/2013 Colber, Jr. .... A01B 33/028  
172/43  
2015/0257329 A1\* 9/2015 Modzik ..... A01B 33/103  
29/428  
2015/0271982 A1\* 10/2015 Bos ..... A01B 33/142  
172/540  
2017/0172046 A1\* 6/2017 Wehler ..... A01B 33/142  
2019/0133017 A1\* 5/2019 Gao ..... A01B 33/02  
2020/0329624 A1\* 10/2020 Thorsell ..... A01B 71/06

\* cited by examiner

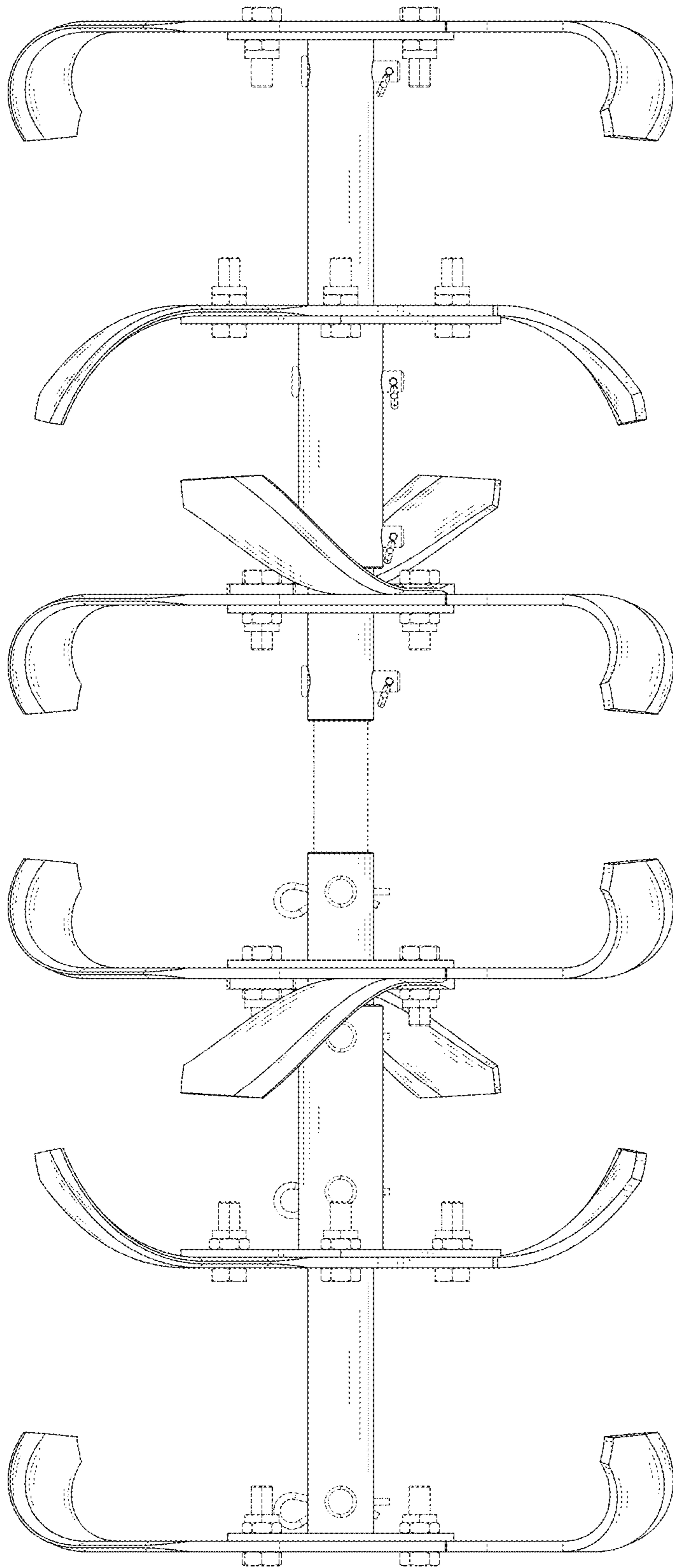


FIG. 1

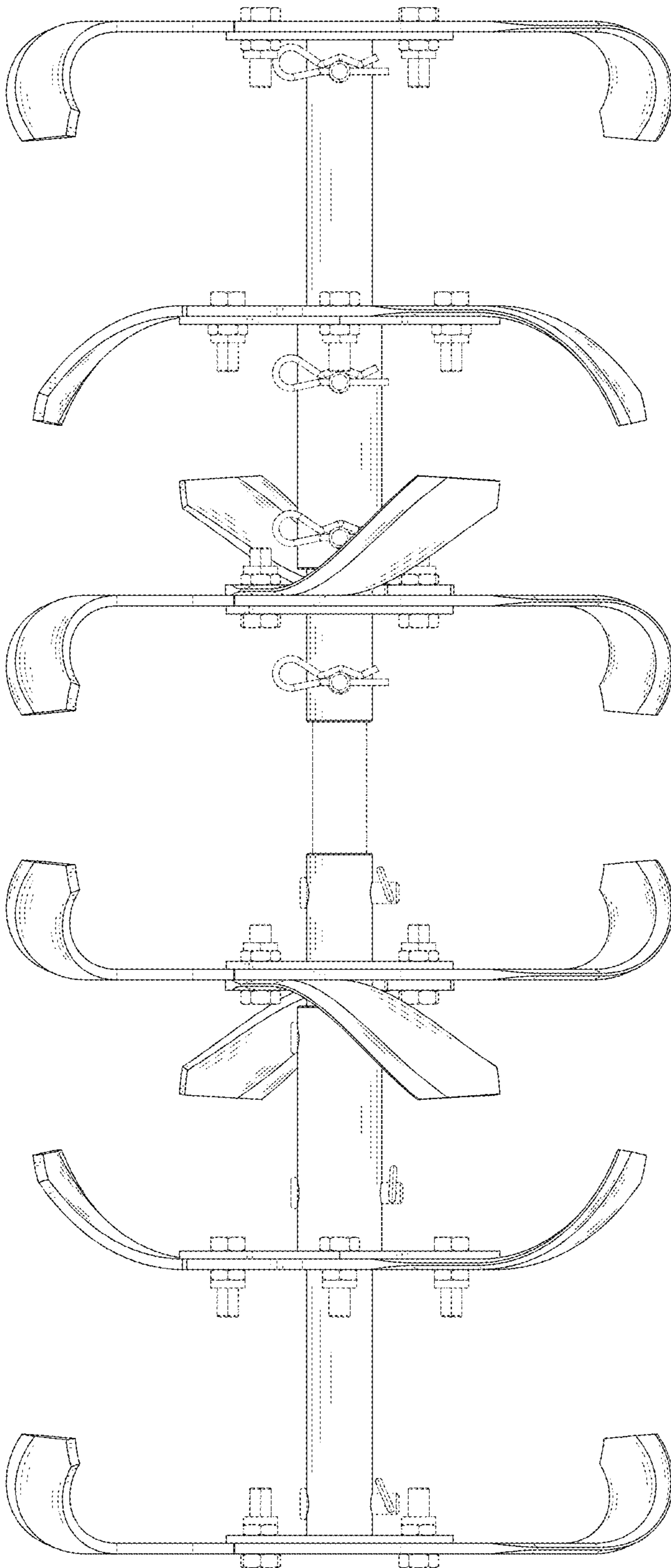
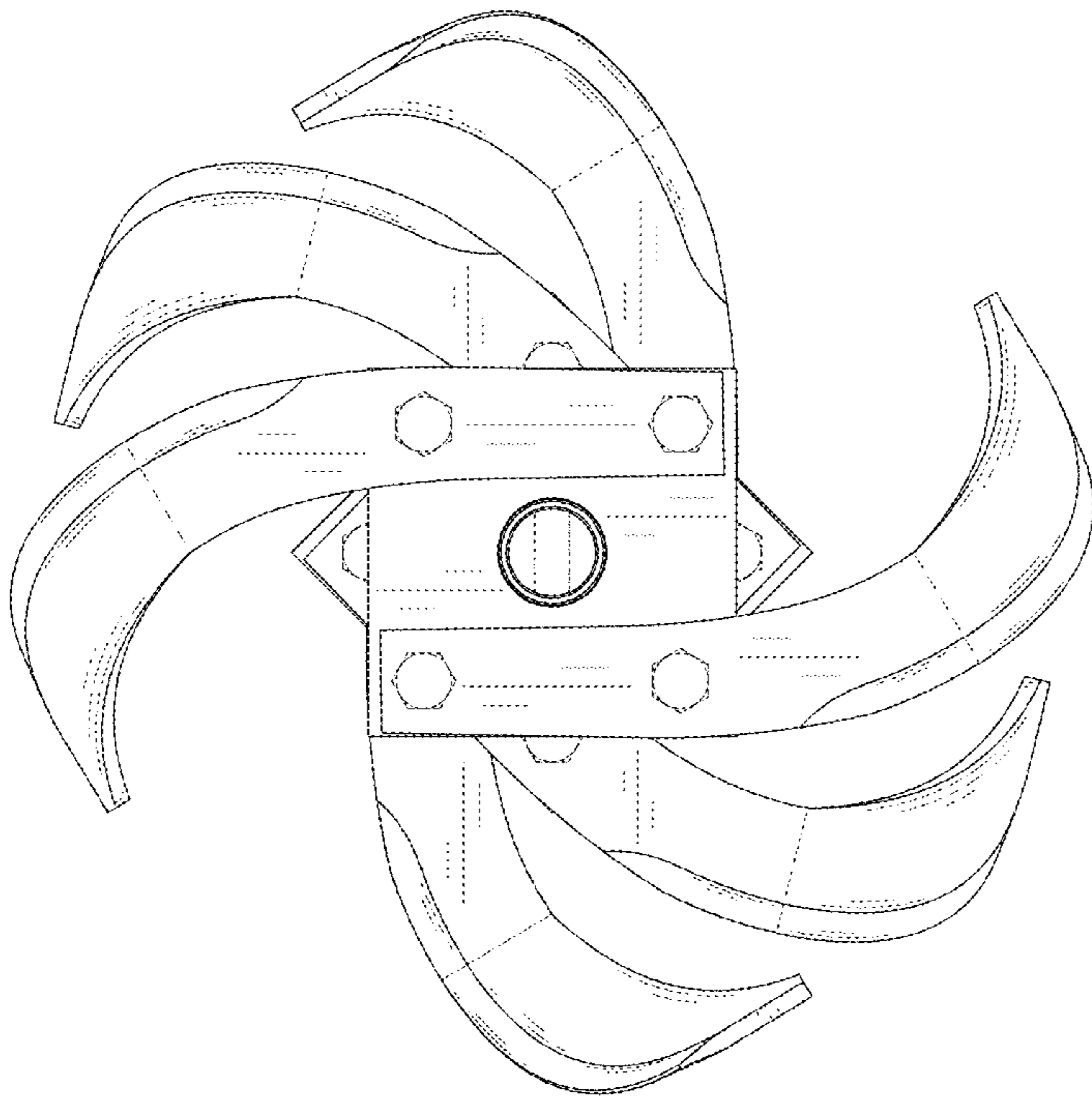


FIG. 2



**FIG. 3**

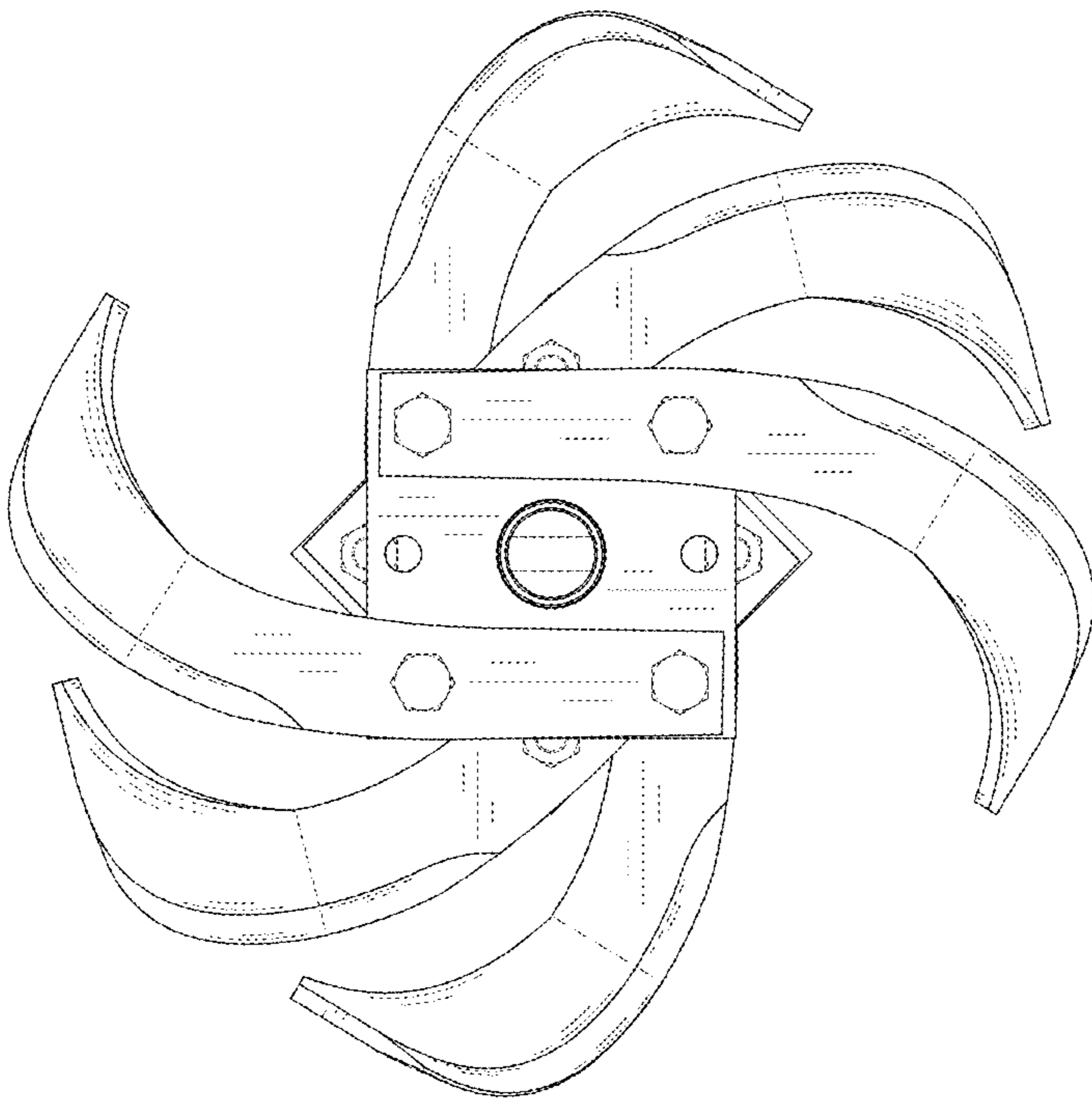


FIG. 4

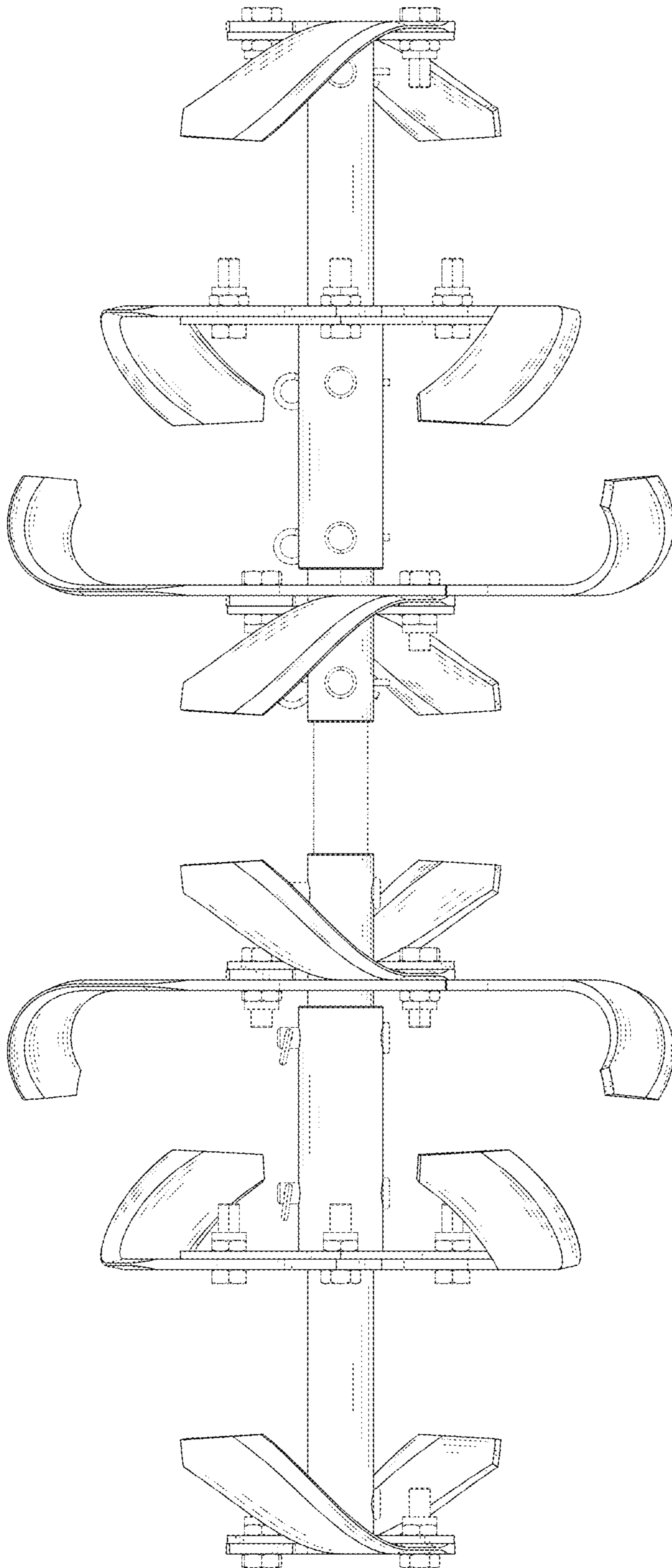


FIG. 5

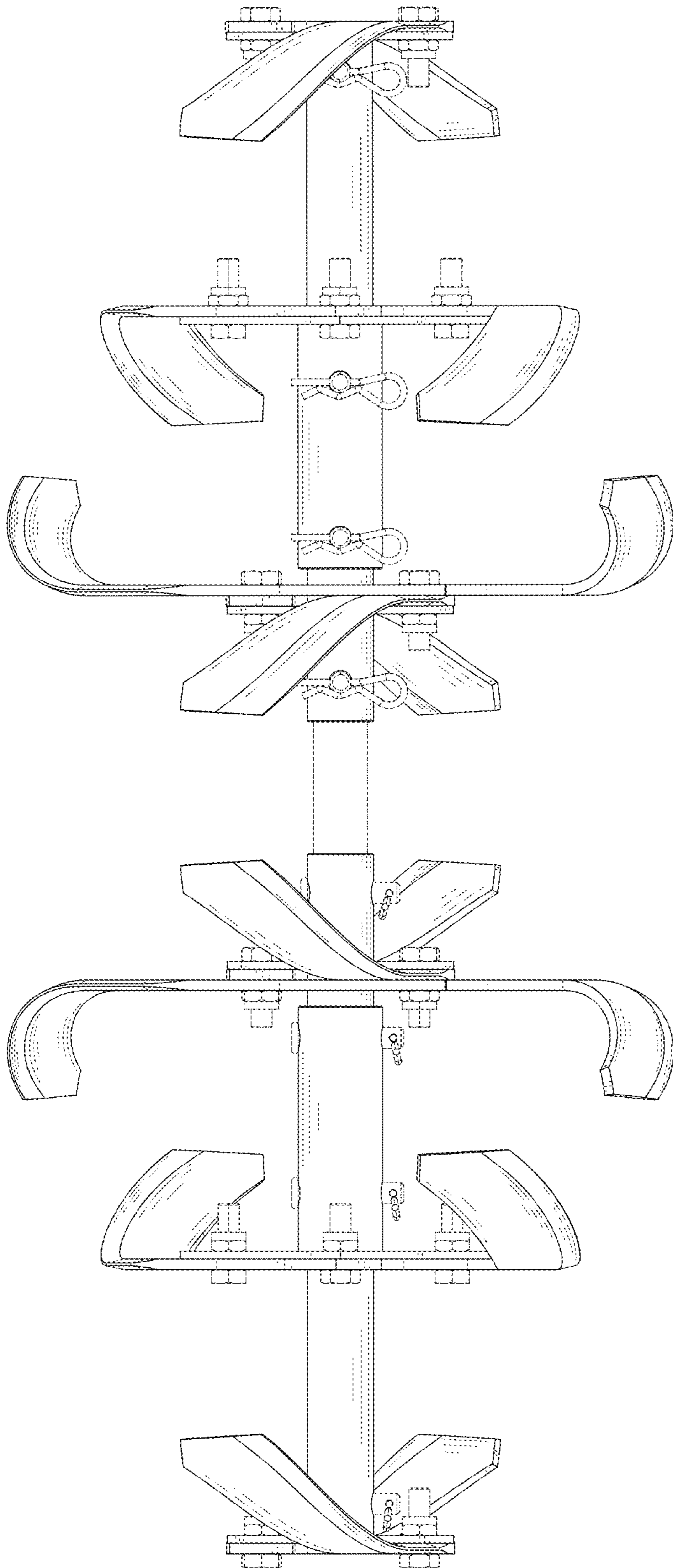


FIG. 6



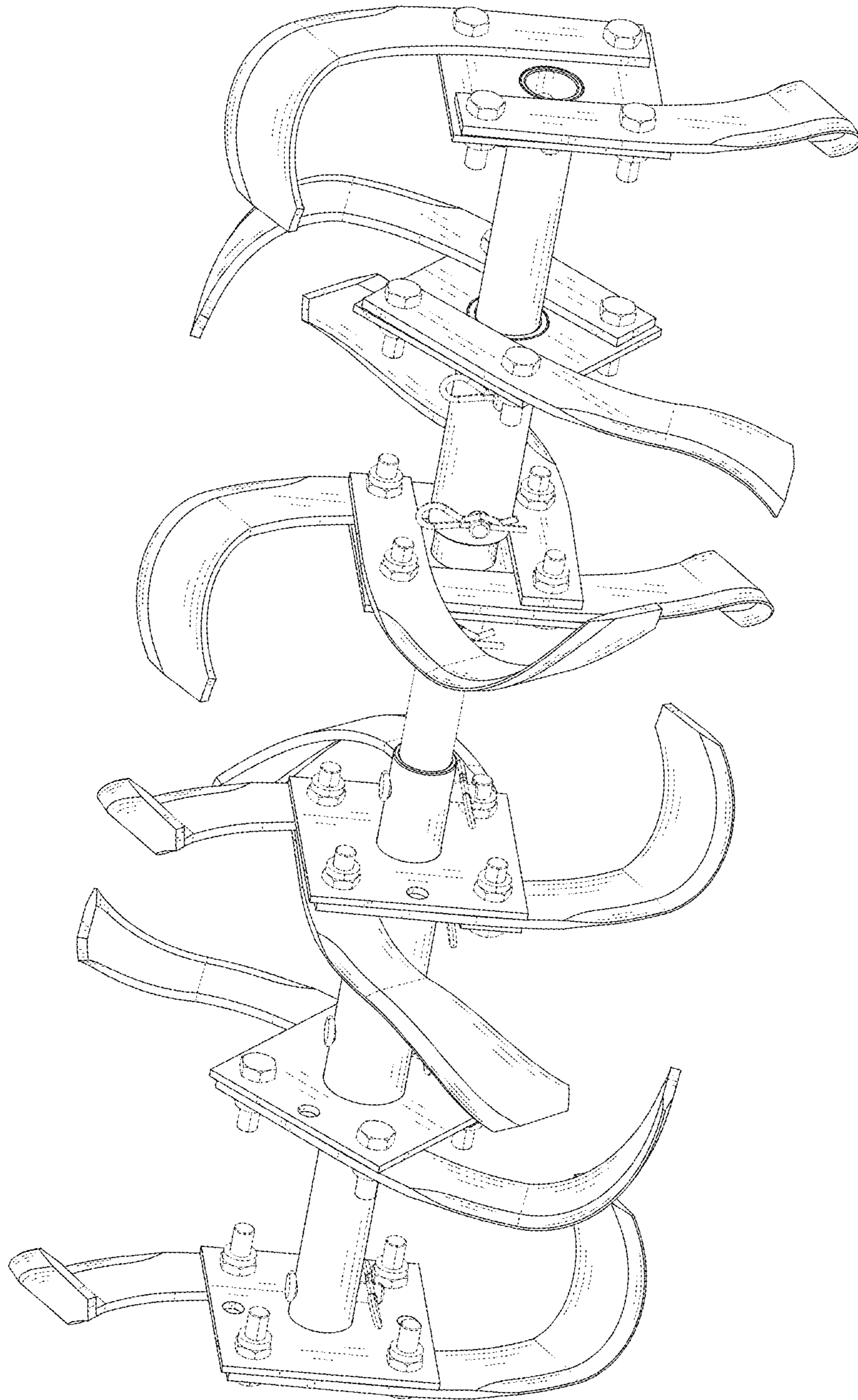


FIG. 7

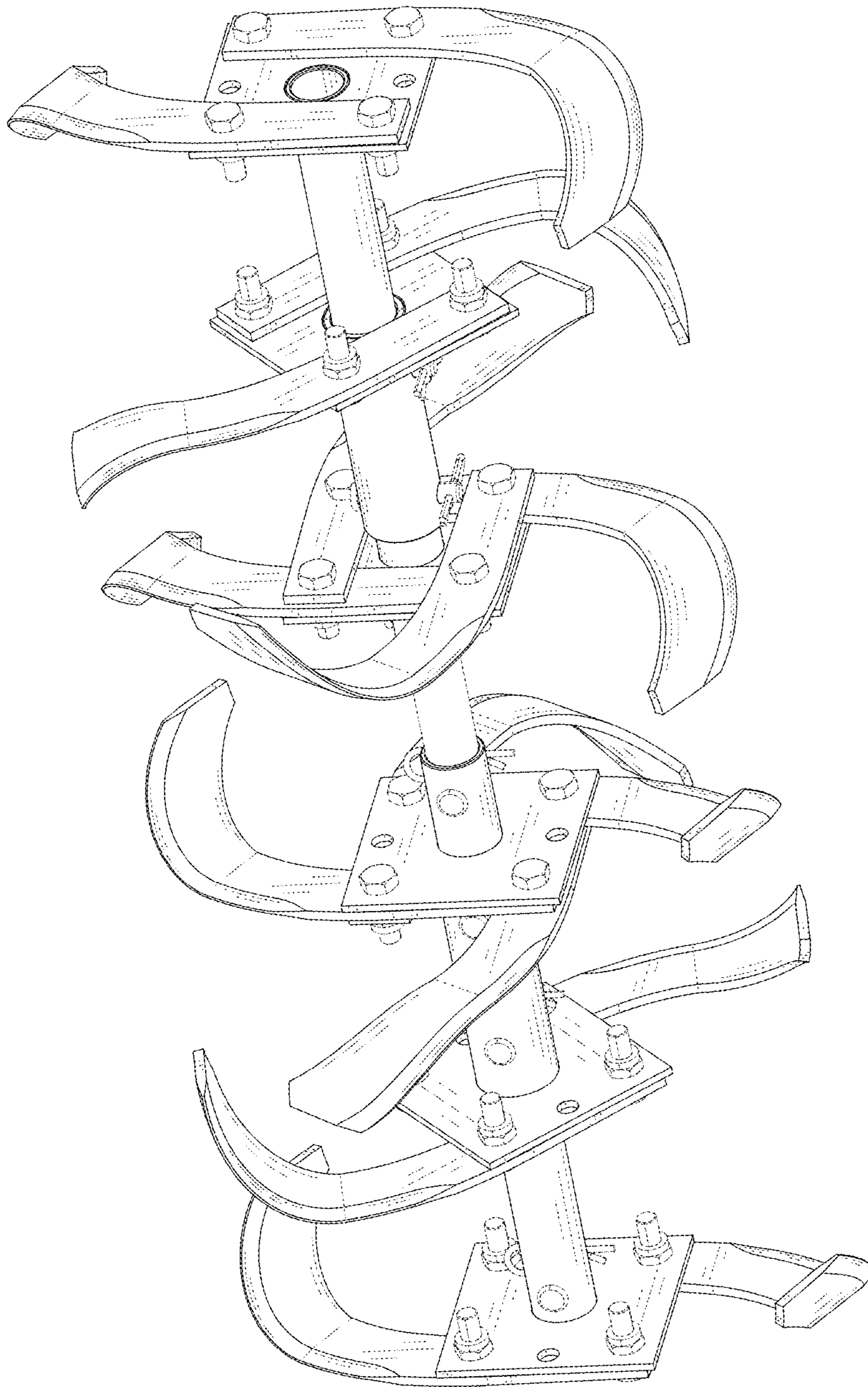


FIG. 8