



US00D982614S

(12) **United States Design Patent** (10) **Patent No.:** **US D982,614 S**
Mayleben et al. (45) **Date of Patent:** **** Apr. 4, 2023**

(54) **PUMP COMPONENT**

- (71) Applicant: **Wayne/Scott Fetzer Company**,
Westlake, OH (US)
- (72) Inventors: **Philip Anthony Mayleben**, Brookville,
IN (US); **Buford Alan Cooper**,
Sunman, IN (US)
- (73) Assignee: **Wayne/Scott Fetzer Company**,
Westlake, OH (US)
- (**) Term: **15 Years**
- (21) Appl. No.: **29/712,307**
- (22) Filed: **Nov. 7, 2019**

Related U.S. Application Data

- (63) Continuation of application No. 29/599,602, filed on
Apr. 5, 2017, now Pat. No. Des. 868,117.
- (51) **LOC (14) Cl.** **15-03**
- (52) **U.S. Cl.**
USPC **D15/7**
- (58) **Field of Classification Search**
USPC D15/7-9
CPC F02M 37/04; F02M 37/14; F04B 53/92;
F04B 1/005; F04D 13/06; F04D 29/22;
F04D 29/046; F04D 29/2266
See application file for complete search history.

(56) **References Cited**

U.S. PATENT DOCUMENTS

2,143,032 A	1/1939	Ruthman
2,207,183 A	7/1940	Thrush
2,553,066 A	5/1951	Southern
2,736,266 A	2/1956	Eisele
2,766,697 A	10/1956	Judd
2,787,960 A	4/1957	Wightman
2,808,782 A	10/1957	Thompson
3,260,214 A	7/1966	Goettl
3,936,240 A	2/1976	Dochterman

(Continued)

OTHER PUBLICATIONS

Blue Angel Pump Company, Blue Angel Catalog, Oct. 2015, 39 pp.
Wayne Water Systems, Wayne Catalog, Oct. 2014, 52 pp.
Blue Angel Pump Company, Blue Angel Catalog, 2018, 34 pp.

Primary Examiner — Khawaja Anwar

(74) *Attorney, Agent, or Firm* — Fitch, Even, Tabin &
Flannery LLP

(57) **CLAIM**

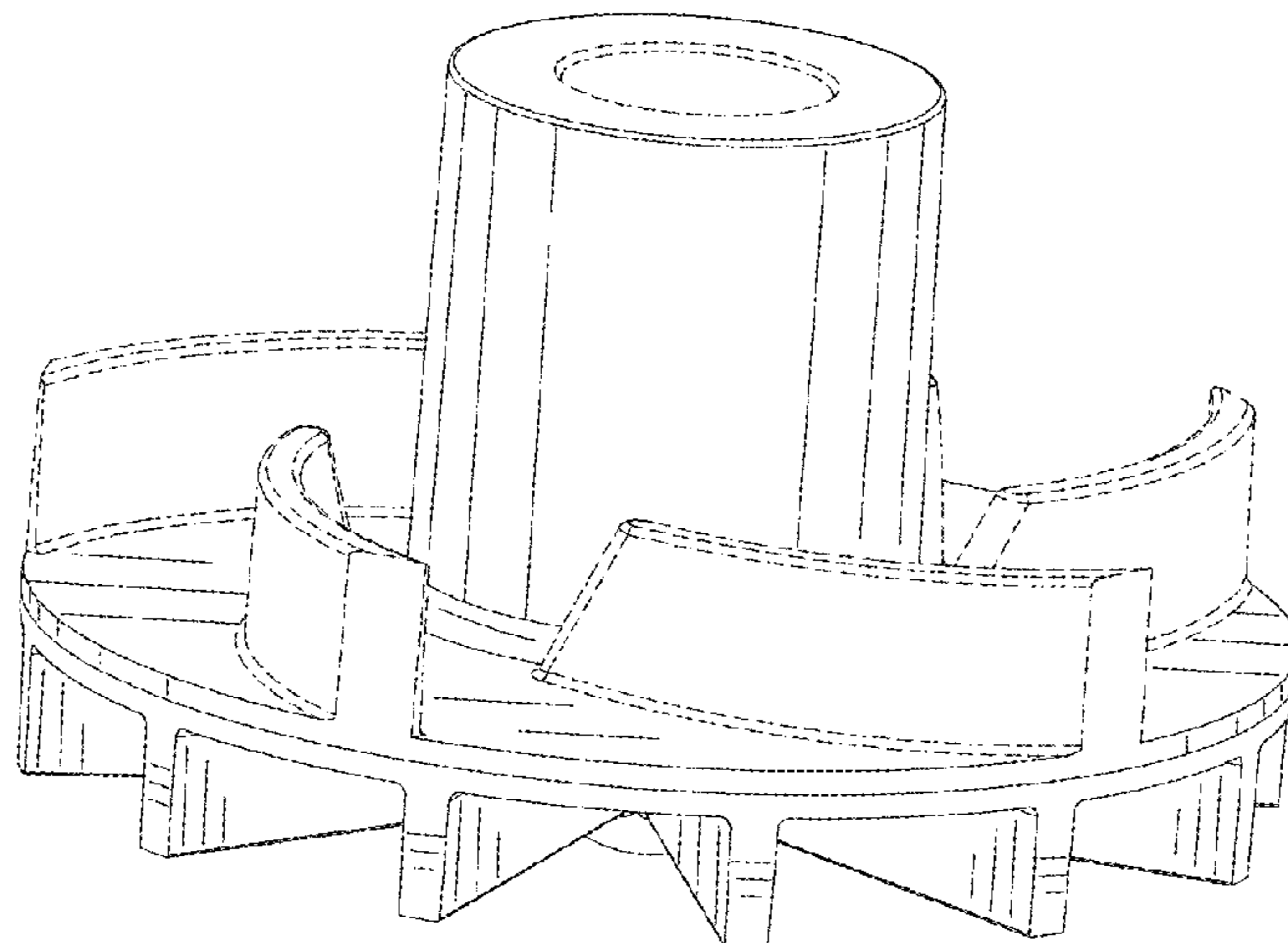
We claim the ornamental design for a pump component, as
shown and described.

DESCRIPTION

FIG. 1 is a top perspective view of a pump component in
accordance with an embodiment of our new design, illus-
trating a portion of an impeller;
FIG. 2 is a front elevation view of the pump component of
FIG. 1;
FIG. 3 is a rear elevation view of the pump component of
FIGS. 1-2;
FIG. 4 is a right-side elevation view of the pump component
of FIGS. 1-3;
FIG. 5 is a left-side elevation view of the pump component
of FIGS. 1-4;
FIG. 6 is a top plan view of the pump component of FIGS.
1-5; and,
FIG. 7 is a bottom plan view of the pump component of
FIGS. 1-6.

The portions shown in broken lines in the figures depict
unclaimed environmental subject matter, are for illustrative
purposes only, and form no part of the claimed design.
Similarly and where applicable, unshaded portions that
appear between broken lines or beyond boundary or break
lines in the figures form no part of the claimed design and
indicate that a specific width, height and/or length forms no
part of the claimed design.

1 Claim, 4 Drawing Sheets



(56)

References Cited

U.S. PATENT DOCUMENTS

D268,112 S 3/1983 Sugiura
 4,563,123 A 1/1986 Beck
 4,728,256 A 3/1988 Araoka
 4,820,131 A 4/1989 Johnson
 4,961,018 A 10/1990 Akhter
 5,055,000 A 10/1991 Akhter
 5,145,337 A 9/1992 Kirkland
 5,181,841 A 1/1993 Kirkland
 5,205,725 A 4/1993 Pattison
 5,246,336 A 9/1993 Furukawa
 5,599,164 A 2/1997 Murray
 6,375,430 B1 4/2002 Eckert
 6,443,715 B1 9/2002 Mayleben
 6,464,531 B2 10/2002 Eckert
 6,514,053 B2 2/2003 Takura
 6,619,910 B1 9/2003 Burgess
 6,676,382 B2 1/2004 Leighton
 6,824,350 B2 11/2004 Pares Criville
 7,153,418 B2 12/2006 Mauro, Sr.
 7,329,085 B2 2/2008 Walker
 7,357,341 B2 4/2008 Gutwein
 D583,391 S * 12/2008 Metcalfe D15/7
 D586,826 S 2/2009 Cantrill
 7,544,041 B2 6/2009 Mayleben
 7,597,732 B2 10/2009 Yokota
 7,810,362 B2 10/2010 Harwood
 8,380,355 B2 2/2013 Mayleben
 8,439,642 B2 5/2013 Scott
 8,511,998 B2 8/2013 Burgess

8,622,706 B2 1/2014 Burgess
 9,212,443 B2 12/2015 Harwood
 D762,840 S * 8/2016 Wilkins D15/7
 D778,958 S * 2/2017 Naruoka D15/5
 D805,559 S * 12/2017 Kudo D15/7
 D810,787 S 2/2018 Cinotti
 D810,788 S 2/2018 Cinotti
 D810,789 S 2/2018 Cinotti
 D828,400 S 9/2018 Cinotti
 D847,861 S * 5/2019 Wilkins D15/7
 D847,862 S * 5/2019 Wilkins D15/7
 D868,117 S 11/2019 Mayleben et al.
 D916,932 S 4/2021 Cooper
 11,136,983 B2 10/2021 Mayleben
 D940,760 S 1/2022 Arribau
 D941,883 S 1/2022 Cooper
 D942,512 S 2/2022 Garcia
 11,326,608 B2 5/2022 Mayleben
 D959,495 S 8/2022 Tanaka
 2006/0064954 A1 3/2006 Yokota
 2014/0044545 A1 2/2014 Burgess
 2015/0267712 A1 * 9/2015 Boeing F04D 29/403
 415/213.1
 2015/0354359 A1 * 12/2015 Matsuda F02B 39/00
 416/204 A
 2016/0076551 A1 * 3/2016 Saito F04D 29/284
 415/206
 2017/0321705 A1 * 11/2017 Leal F04D 17/165
 2018/0112673 A1 * 4/2018 Manninen F04D 1/00
 2018/0180058 A1 * 6/2018 Hayamitsu F04D 17/06

* cited by examiner

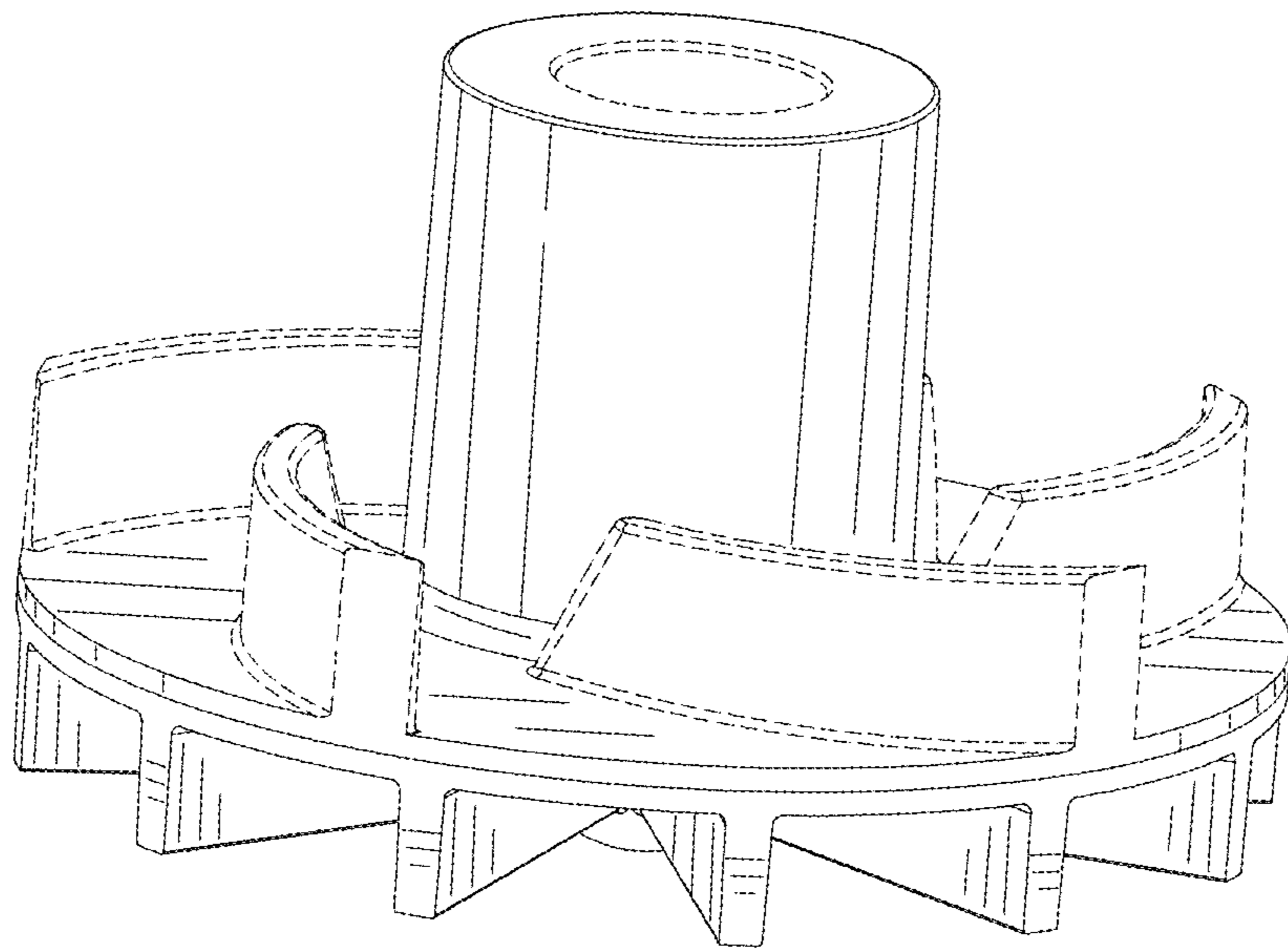


FIG. 1

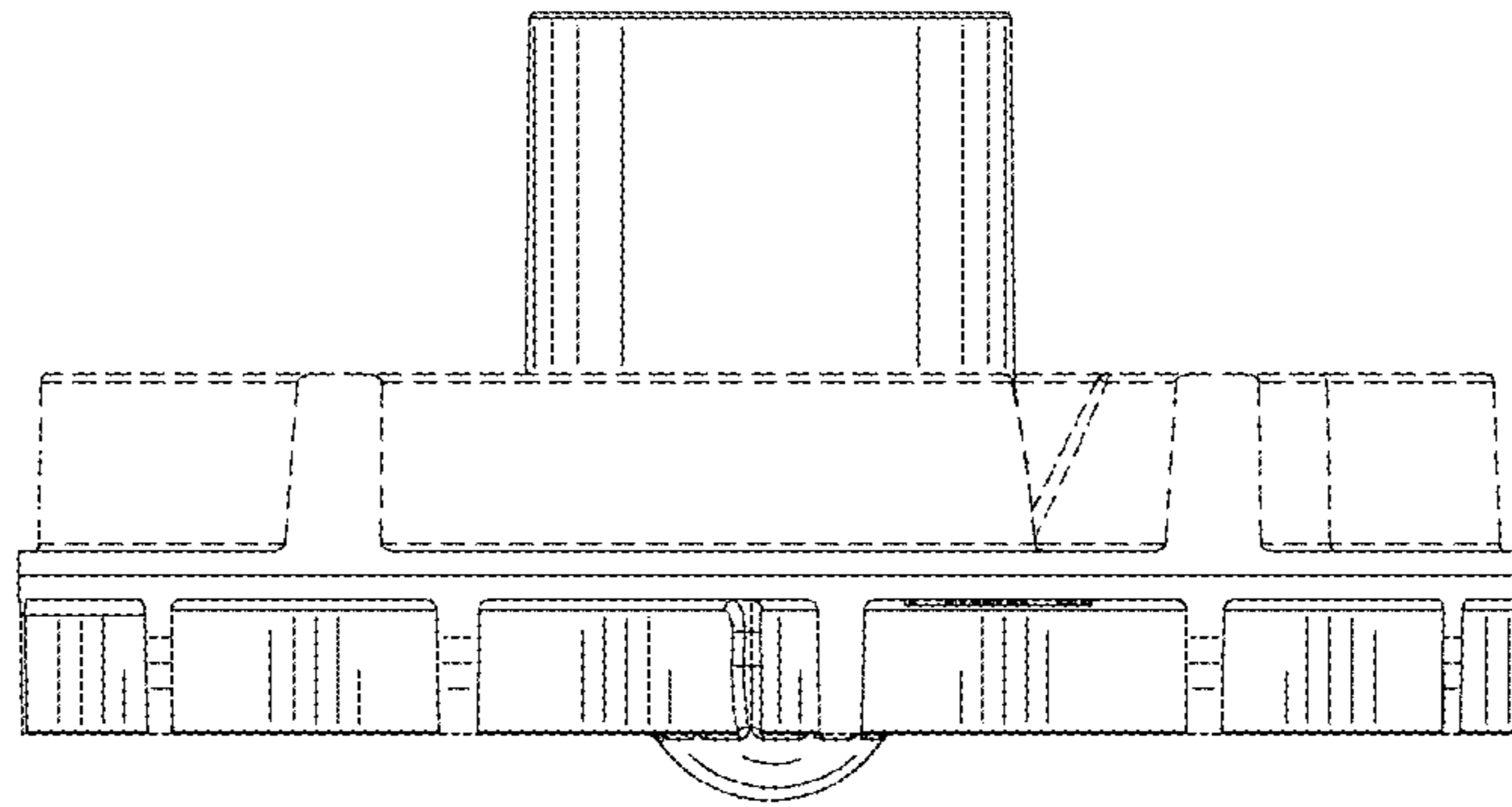


FIG. 2

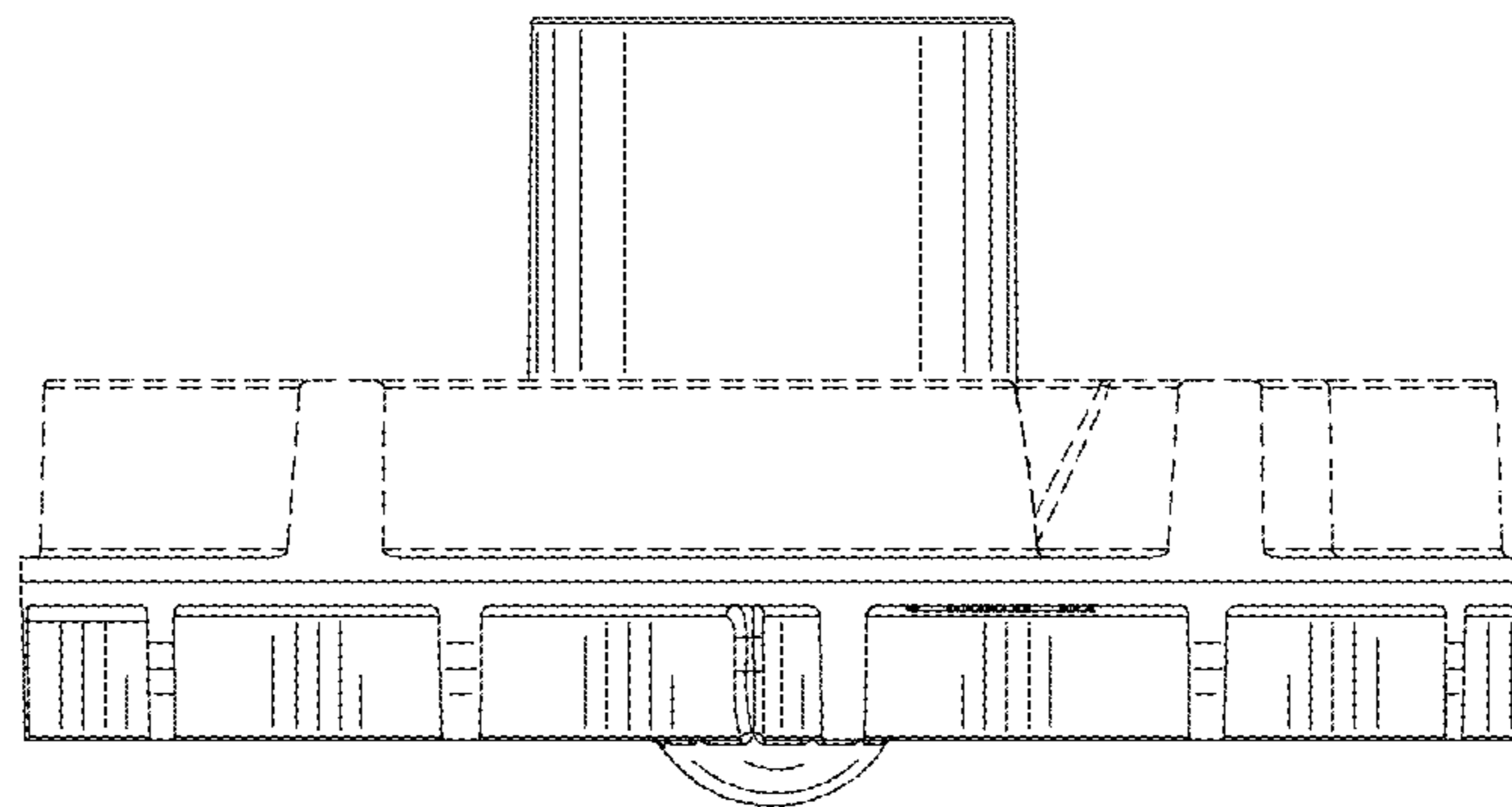


FIG. 3

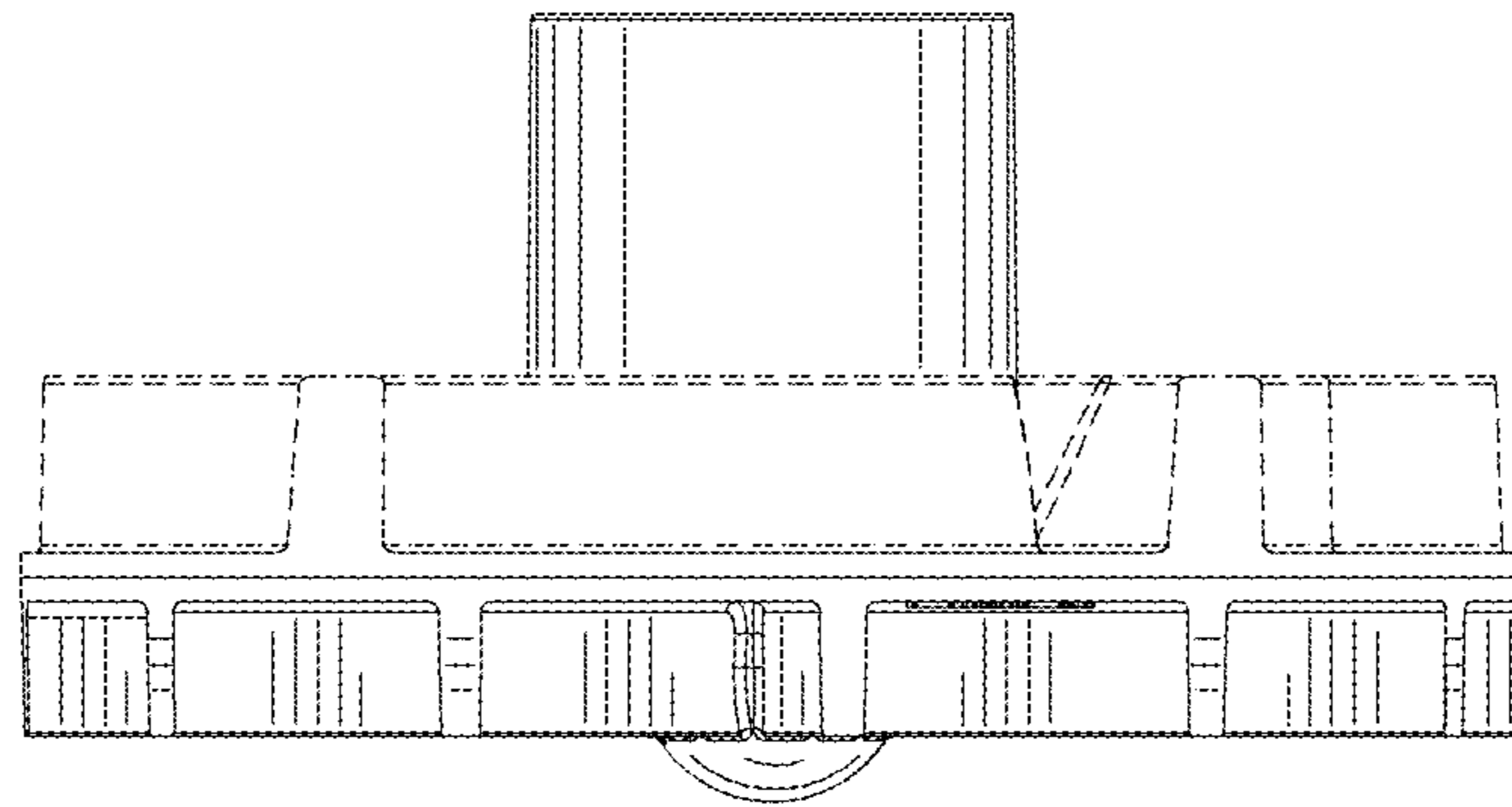


FIG. 4

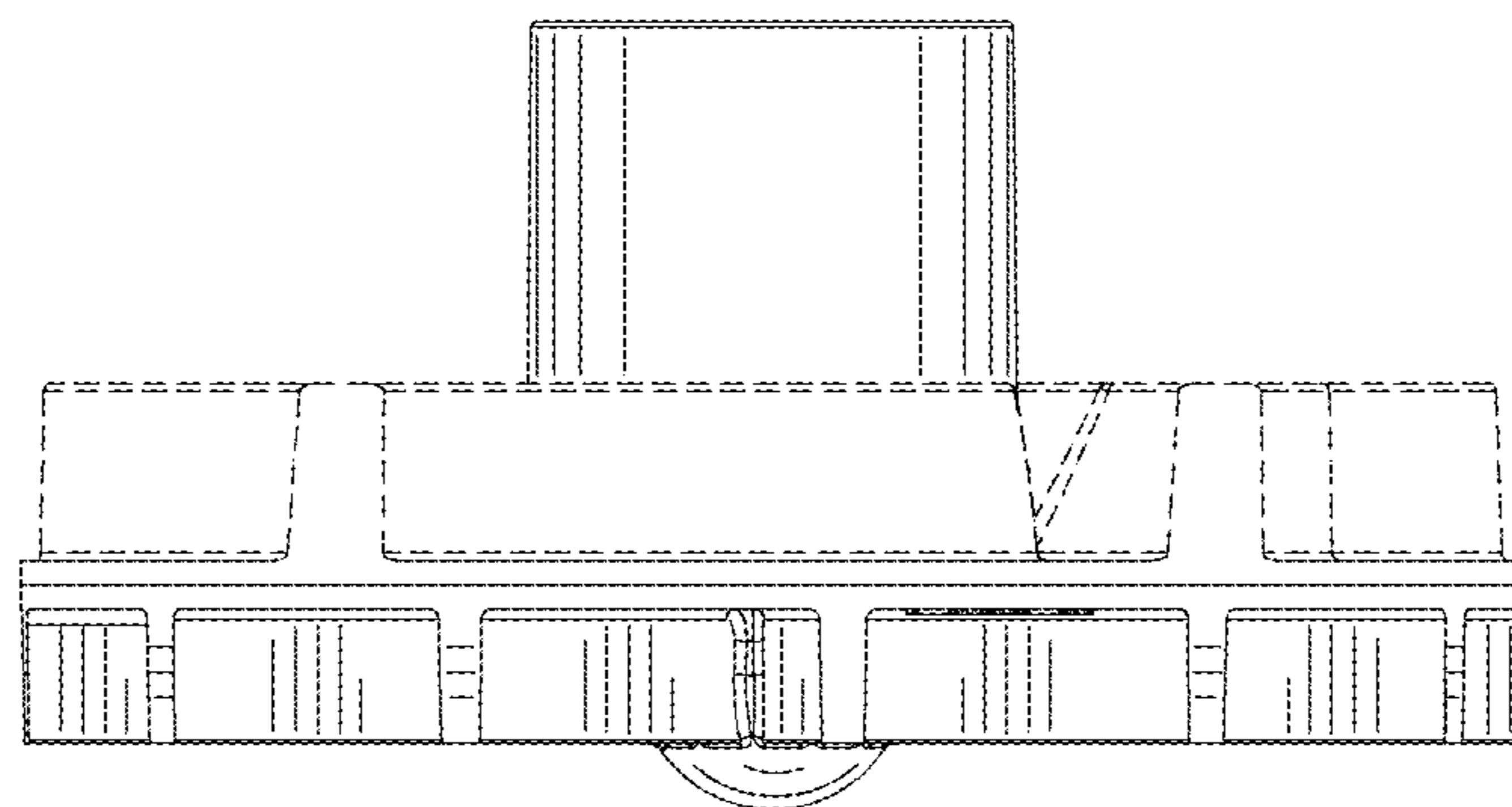


FIG. 5

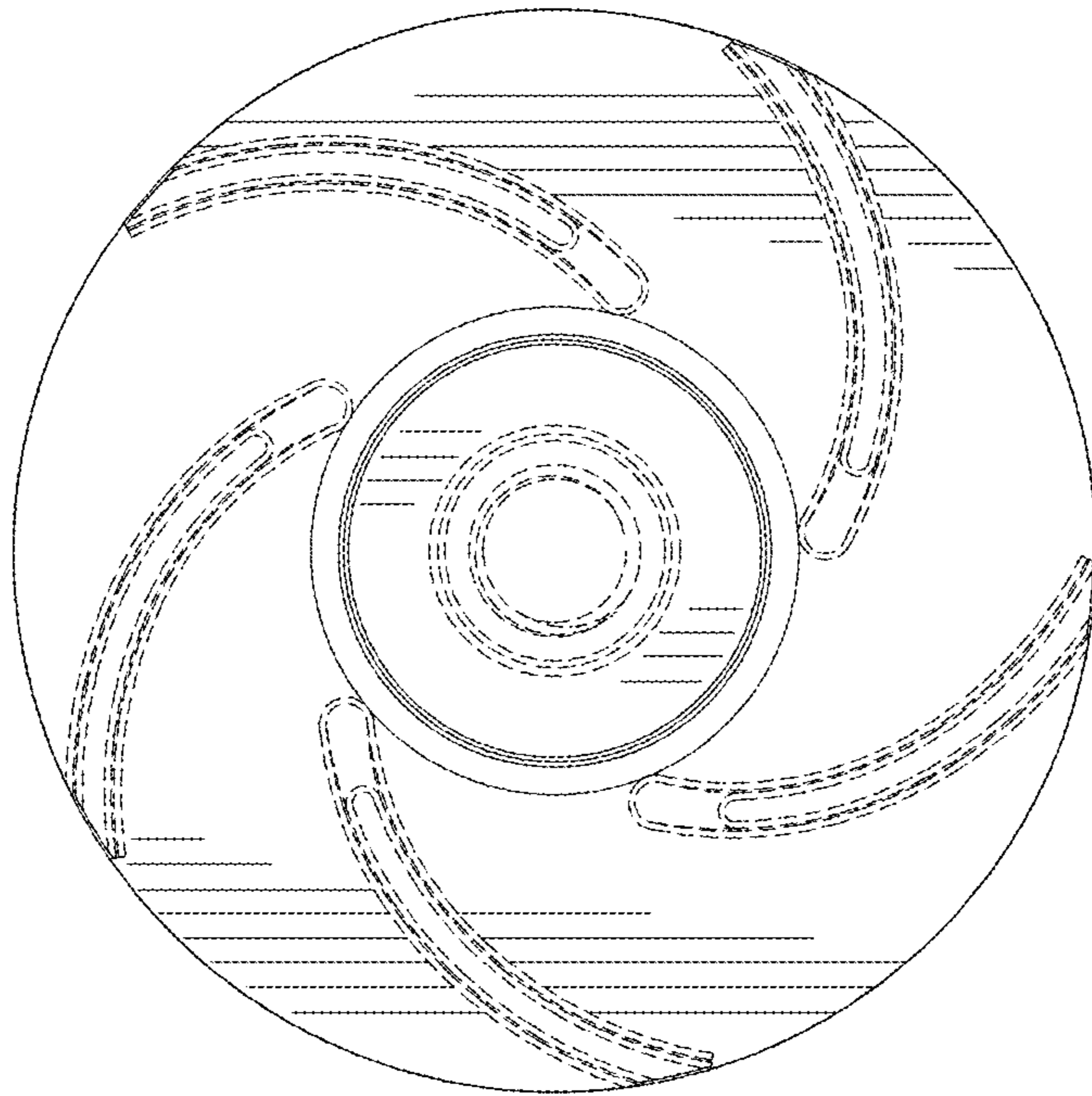


FIG. 6

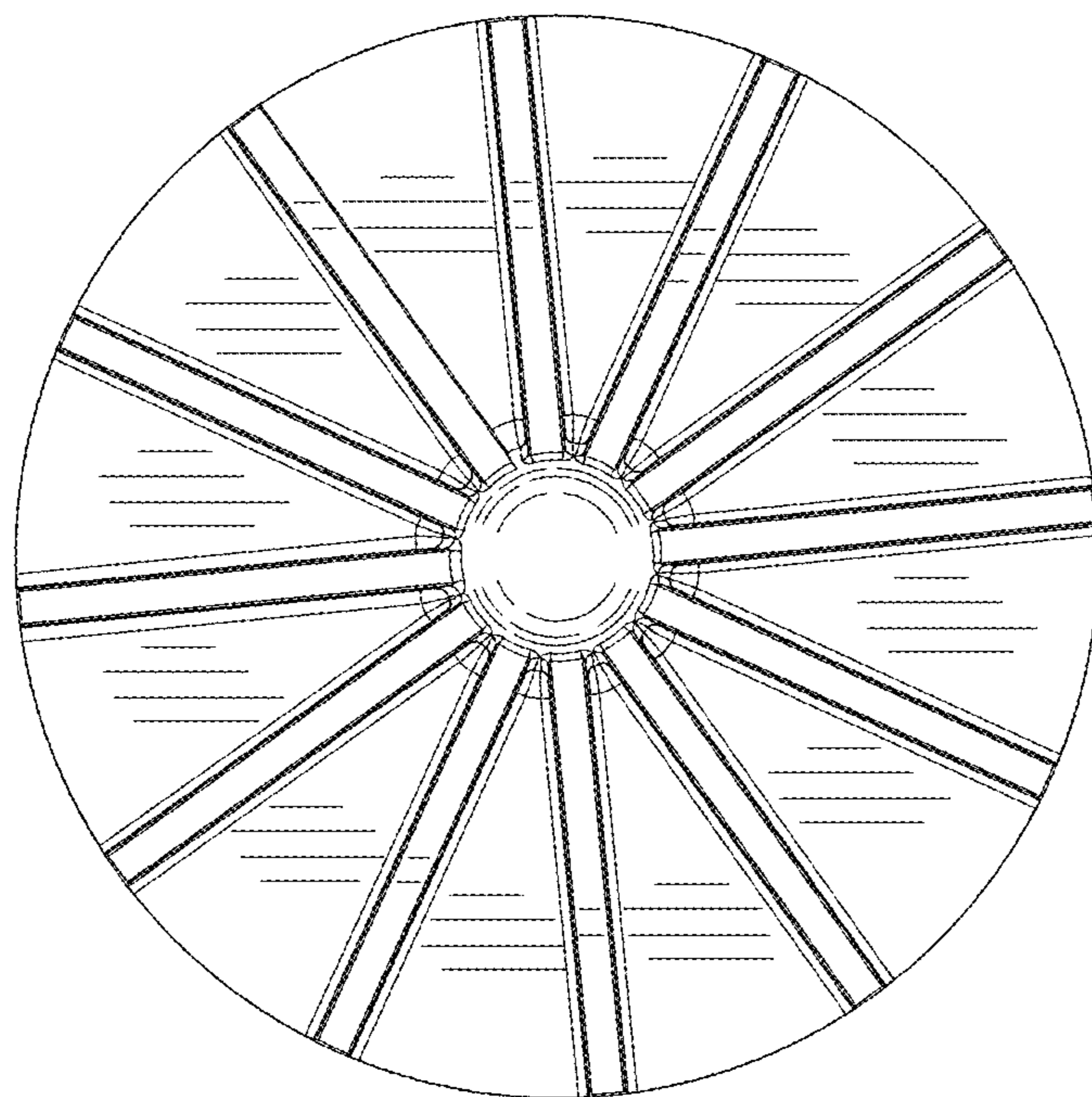


FIG. 7