



US00D982591S

(12) **United States Design Patent**
Zhang

(10) **Patent No.:** **US D982,591 S**

(45) **Date of Patent:** **** Apr. 4, 2023**

(54) **LAPTOP STAND**

(71) Applicant: **Huilin Wu**, Fujian (CN)

(72) Inventor: **Zhuanhe Zhang**, Fujian (CN)

(73) Assignee: **Huilin Wu**, Fujian (CN)

(**) Term: **15 Years**

(21) Appl. No.: **29/800,823**

(22) Filed: **Jul. 23, 2021**

(51) **LOC (14) Cl.** **14-02**

(52) **U.S. Cl.**

USPC **D14/447**

(58) **Field of Classification Search**

USPC D14/251, 252, 253, 434, 440, 447, 451,
D14/457; D6/406.3, 406.4, 406.5, 406.6,
D6/700, 701; D19/91, 113, 179;
D13/108, 179

CPC A47B 2023/049; A47B 23/043; A47B
23/042; A47B 2021/0364; F16M 13/022;
H04M 1/04

See application file for complete search history.

(56) **References Cited**

U.S. PATENT DOCUMENTS

- 2,676,777 A * 4/1954 Moushon A47B 23/044
248/463
- D180,720 S * 7/1957 Orvedahl D6/406.6
- 5,678,800 A * 10/1997 Markussen G06F 3/0395
248/118
- D619,822 S * 7/2010 Damgaard-Sorensen
D6/406.1
- D620,942 S * 8/2010 Huang D14/447
- D709,948 S * 7/2014 Debons D19/113
- D723,830 S * 3/2015 Tcholakov D6/406.6
- D769,247 S * 10/2016 Heyen D14/447
- D800,136 S * 10/2017 Chen D14/451
- D895,631 S * 9/2020 Kanter D14/451

- D907,645 S * 1/2021 Chen D14/451
- D939,023 S * 12/2021 van Hooft D19/91
- D956,055 S * 6/2022 Wang D14/451

FOREIGN PATENT DOCUMENTS

CN 305275634 * 7/2019

OTHER PUBLICATIONS

Walmart.com_ Aothia Computer Monitor Riser, date unavailable, retrieved Dec. 15, 2022, available at URL: <https://www.walmart.com/ip/Aothia-Computer-Monitor-Riser-With-Storage-Desk-Stand-4-3-H-18-5-W-for-Laptop-LED-LCD-TV-BJBDZ-Walnut-S/468193794> (Year: 2022).*

(Continued)

Primary Examiner — Wendy L Arminio

Assistant Examiner — Carrie S Gelula

(74) *Attorney, Agent, or Firm* — ScienBiziP, P.C.

(57) **CLAIM**

The ornamental design for a laptop stand, as shown and described.

DESCRIPTION

FIG. 1 is a front, right, and top perspective view of a laptop stand, showing my design.

FIG. 2 is a rear, left, and bottom perspective view thereof.

FIG. 3 is a front elevation view thereof.

FIG. 4 is a rear elevation view thereof.

FIG. 5 is a left side elevation view thereof.

FIG. 6 is a right side elevation view thereof.

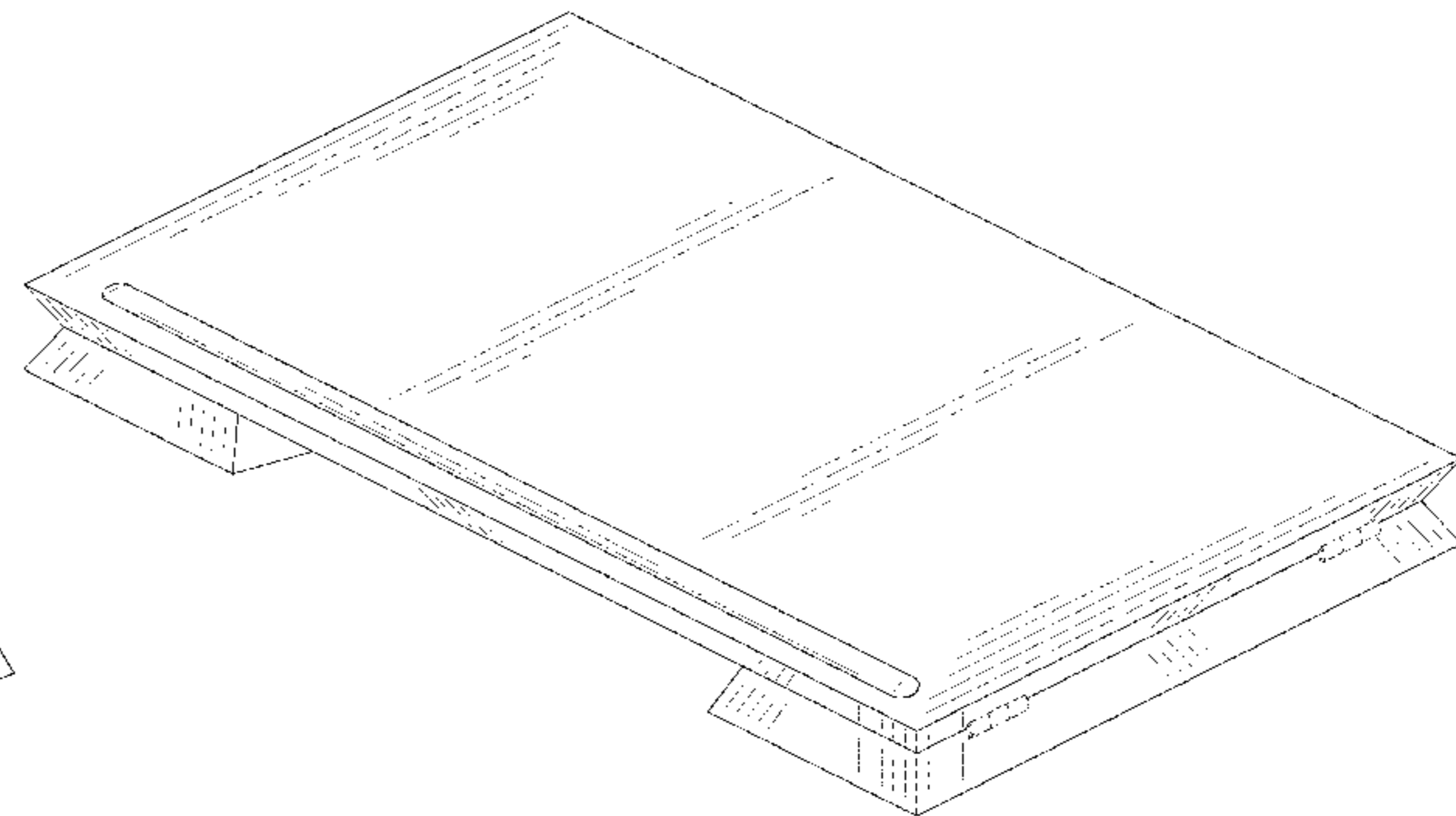
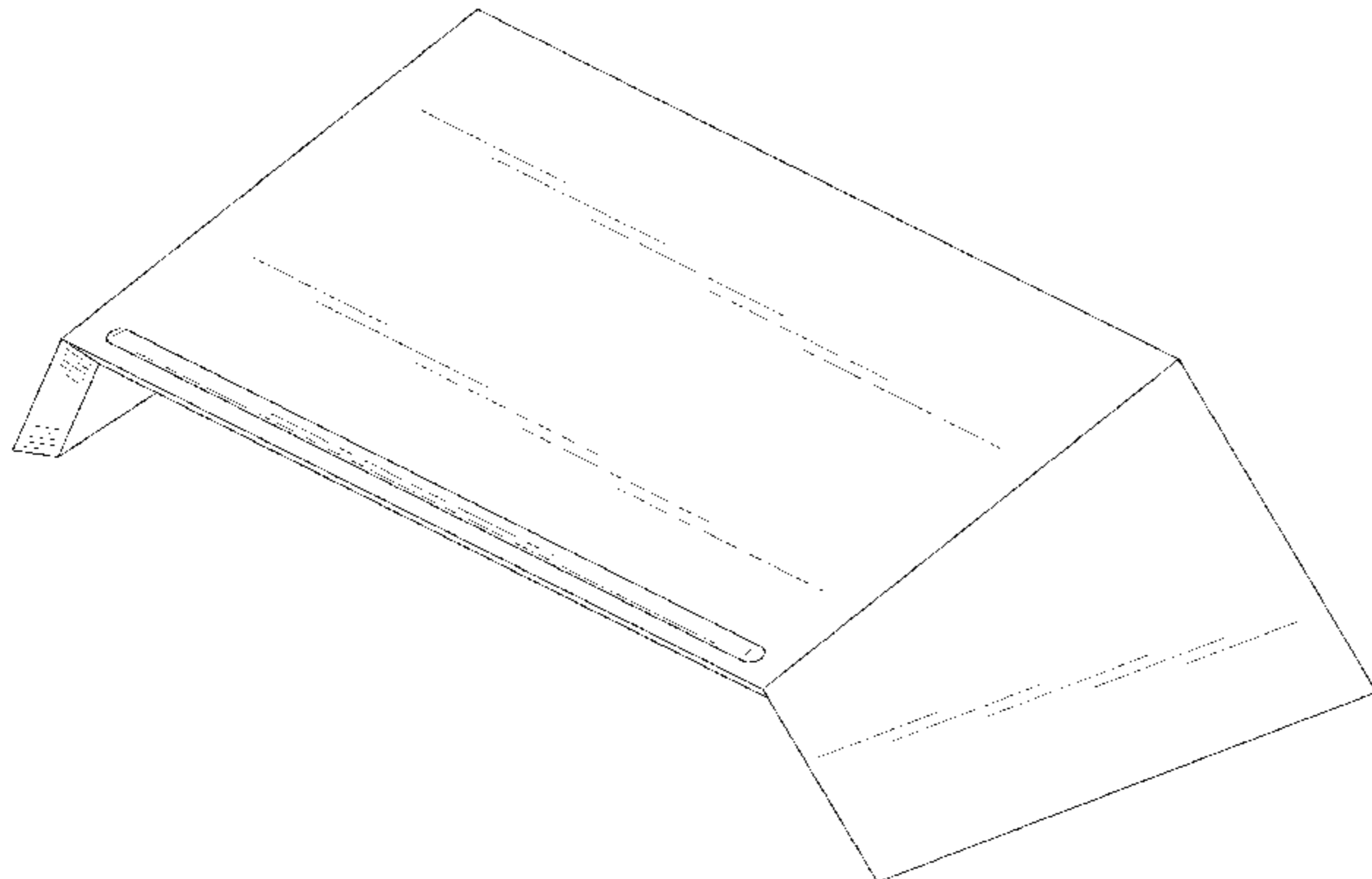
FIG. 7 is a top plan view thereof.

FIG. 8 is a bottom plan view thereof; and,

FIG. 9 is another front, right, and top perspective view of the laptop stand, wherein the laptop stand is in a folded state.

The broken lines shown in the drawings are included for the purpose of illustrating portions of the laptop stand that form no part of the claimed design.

1 Claim, 9 Drawing Sheets



(56)

References Cited

OTHER PUBLICATIONS

Amazon.com_ SAMDI Birch Wood Wooden Laptop Stand, first available Dec. 26, 2017 [online], retrieved Dec. 15, 2022, available at URL: <https://a.co/d/9RiP5dG> (Year: 2017).*

Amazon.com_ Aothia Monitor Stand Riser, first available Aug. 16, 2021 [online], retrieved Dec. 15, 2022, available at URL: <https://a.co/d/8q0XE4y> (Year: 2021).*

* cited by examiner

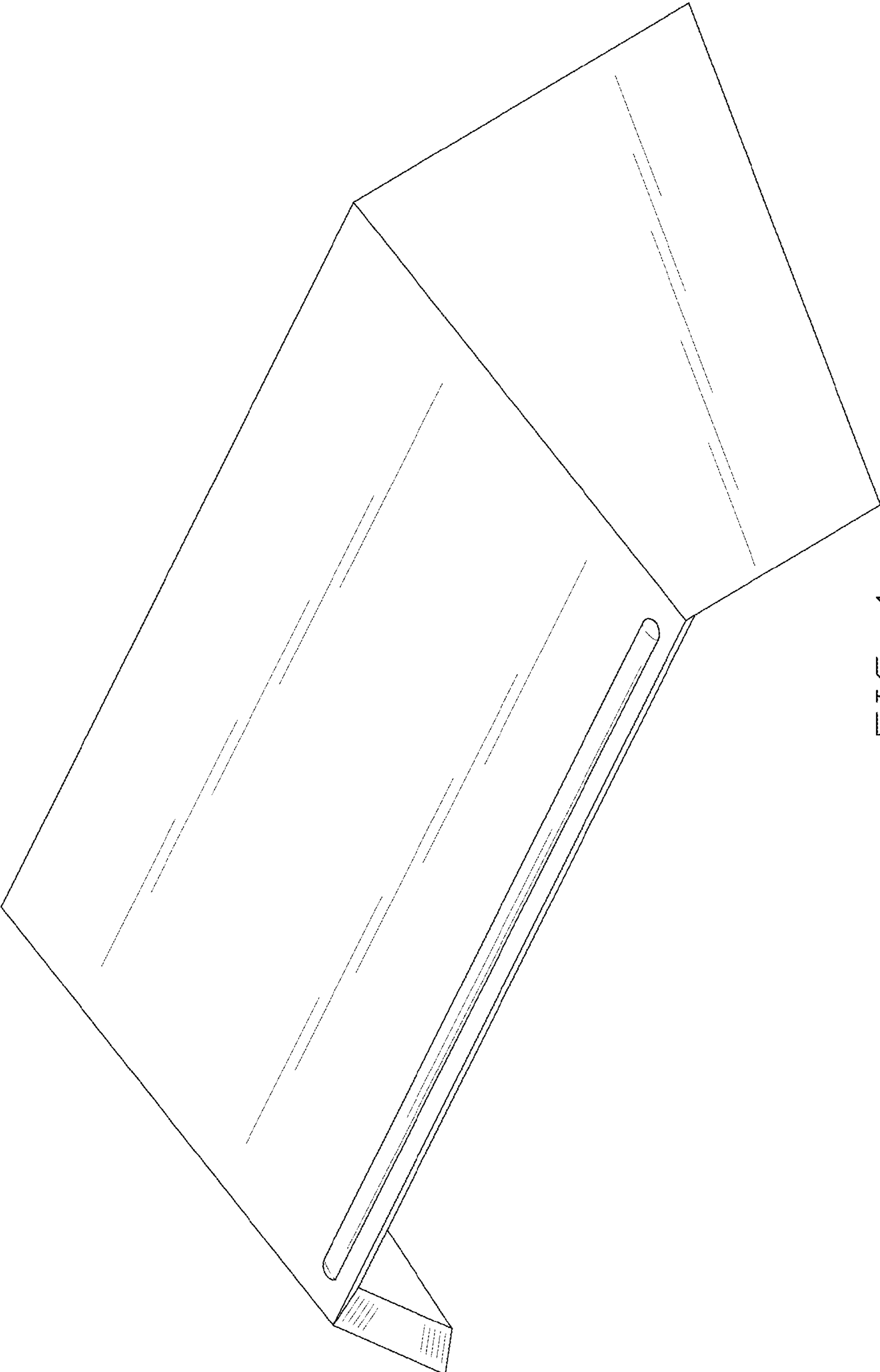


FIG. 1

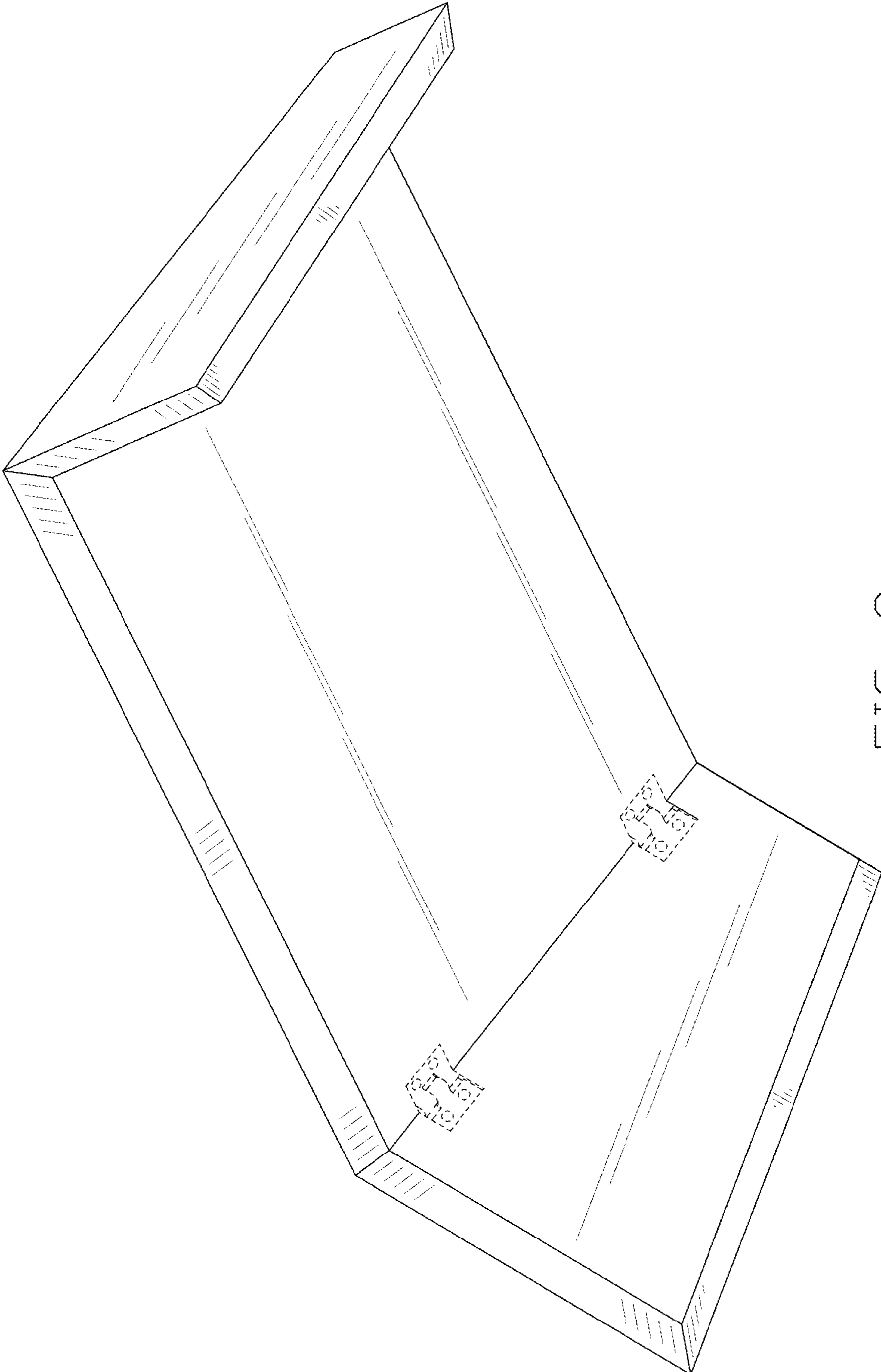


FIG. 2

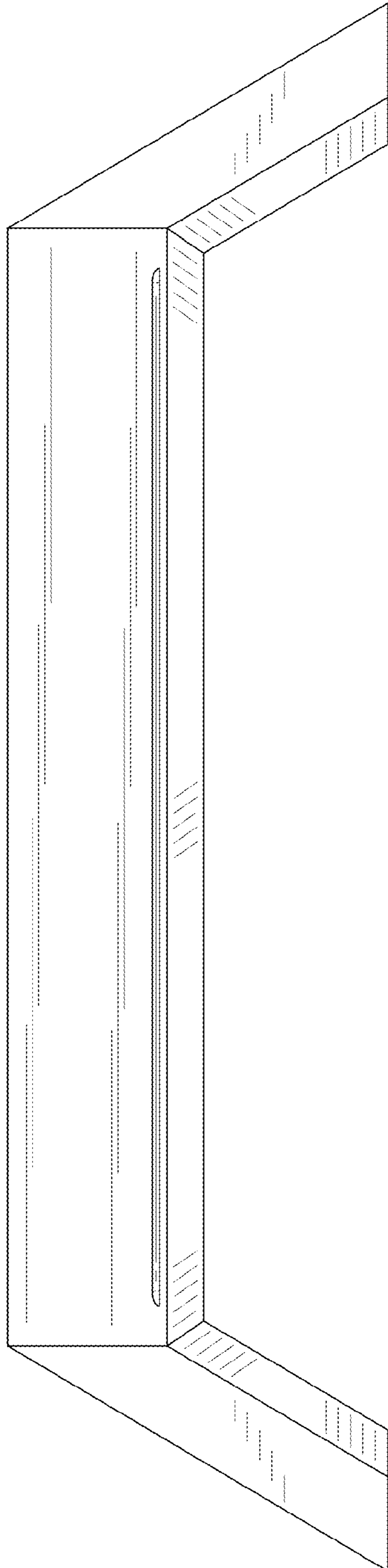


FIG. 3

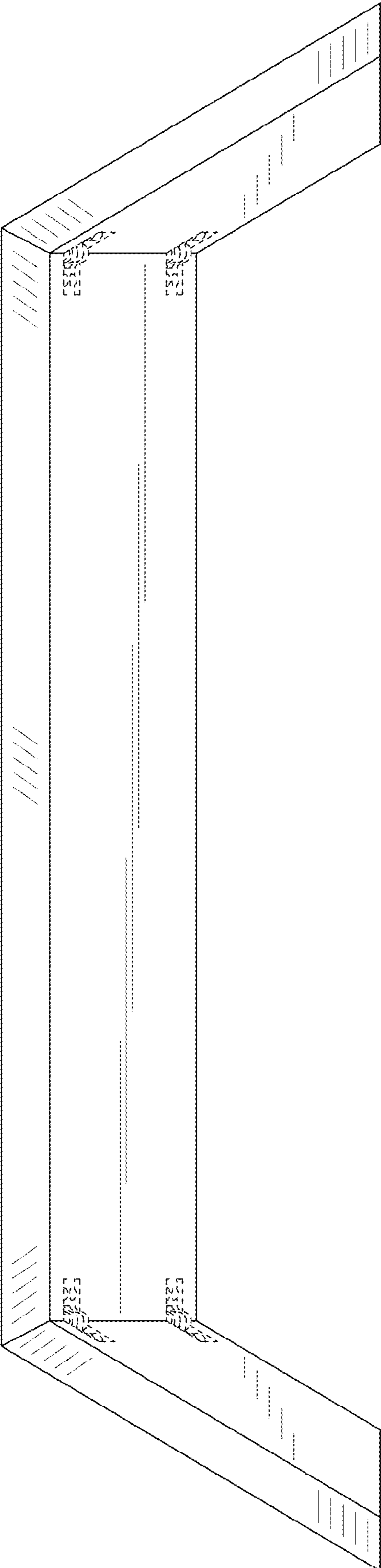


FIG. 4



FIG. 5

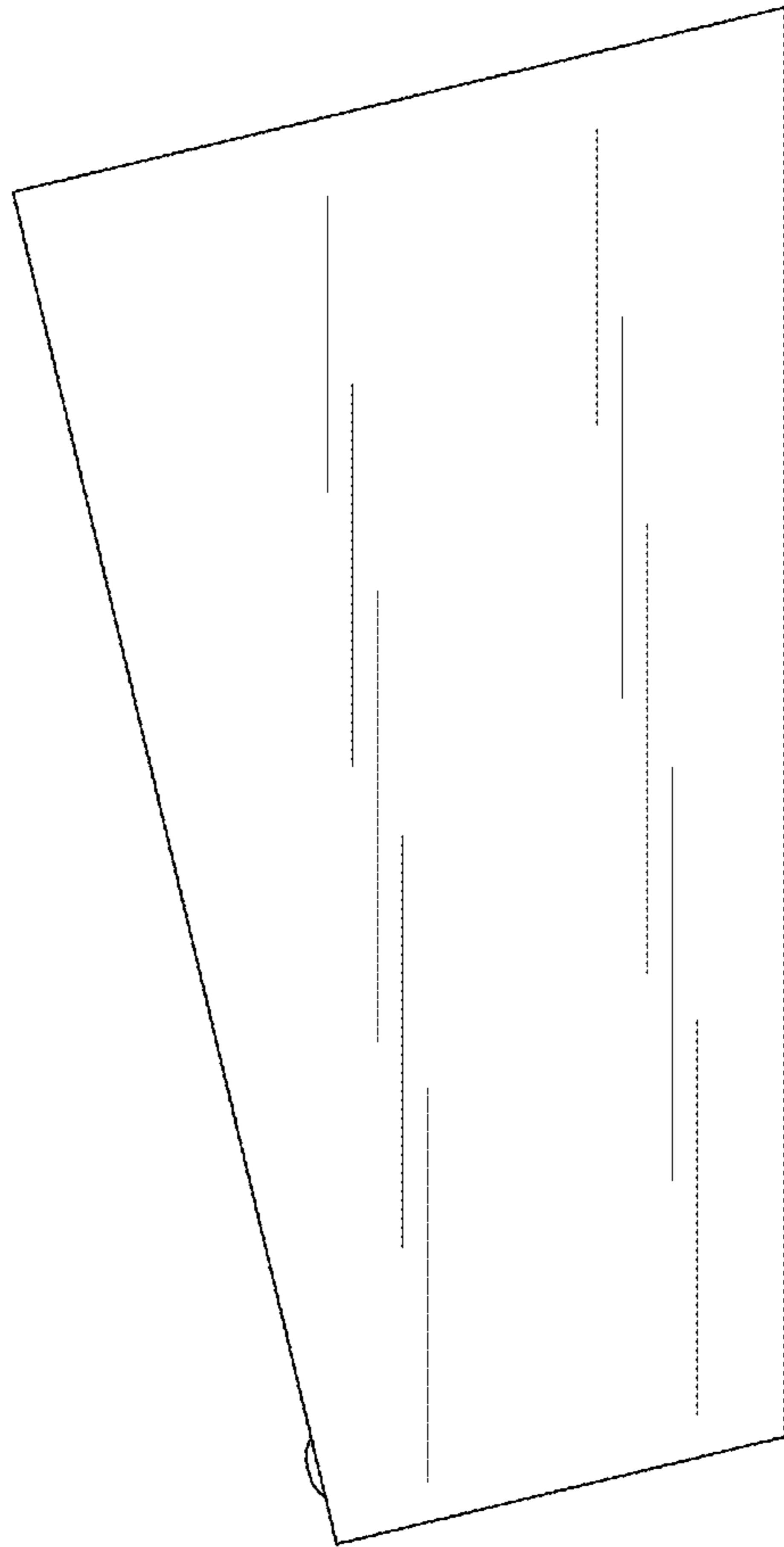


FIG. 6

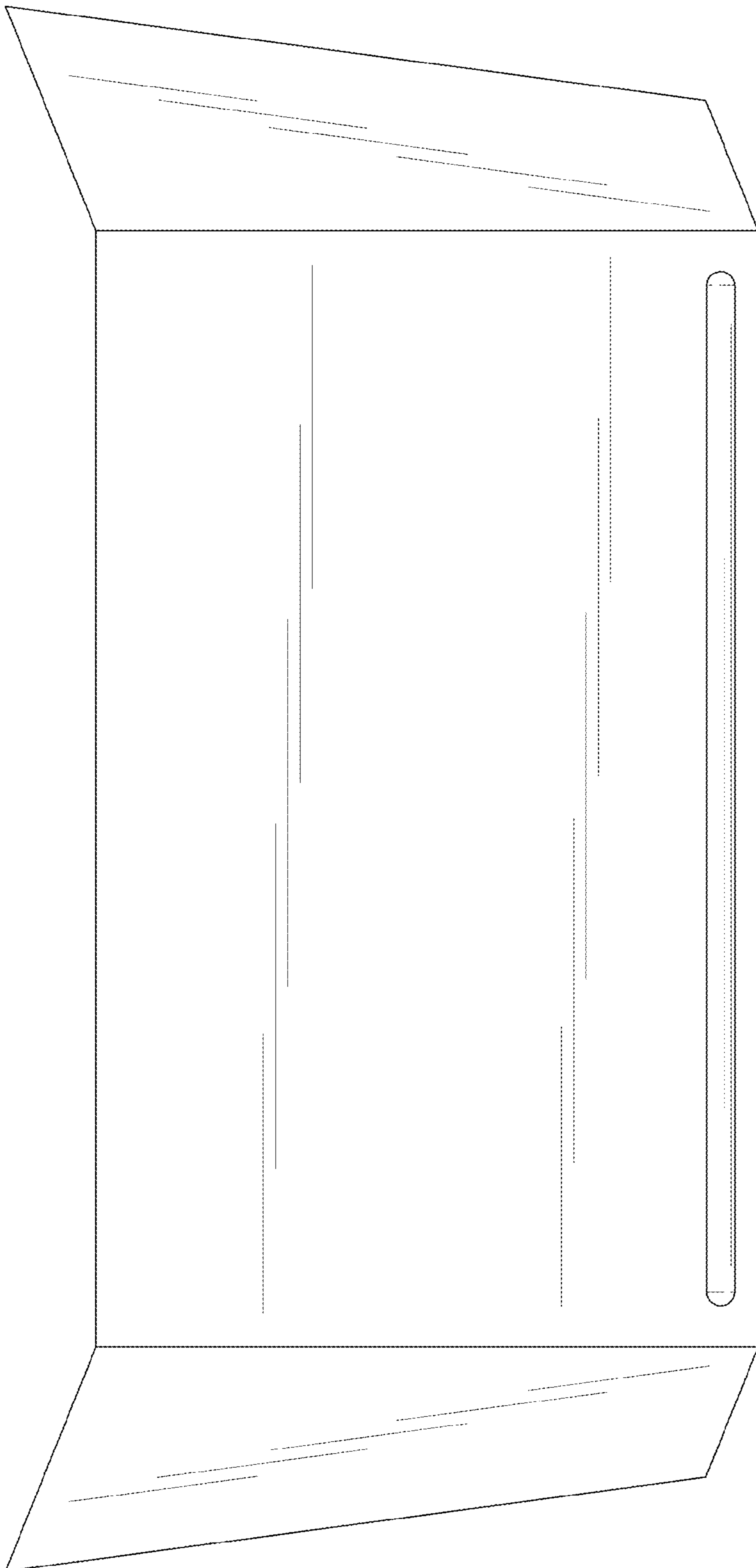


FIG. 7

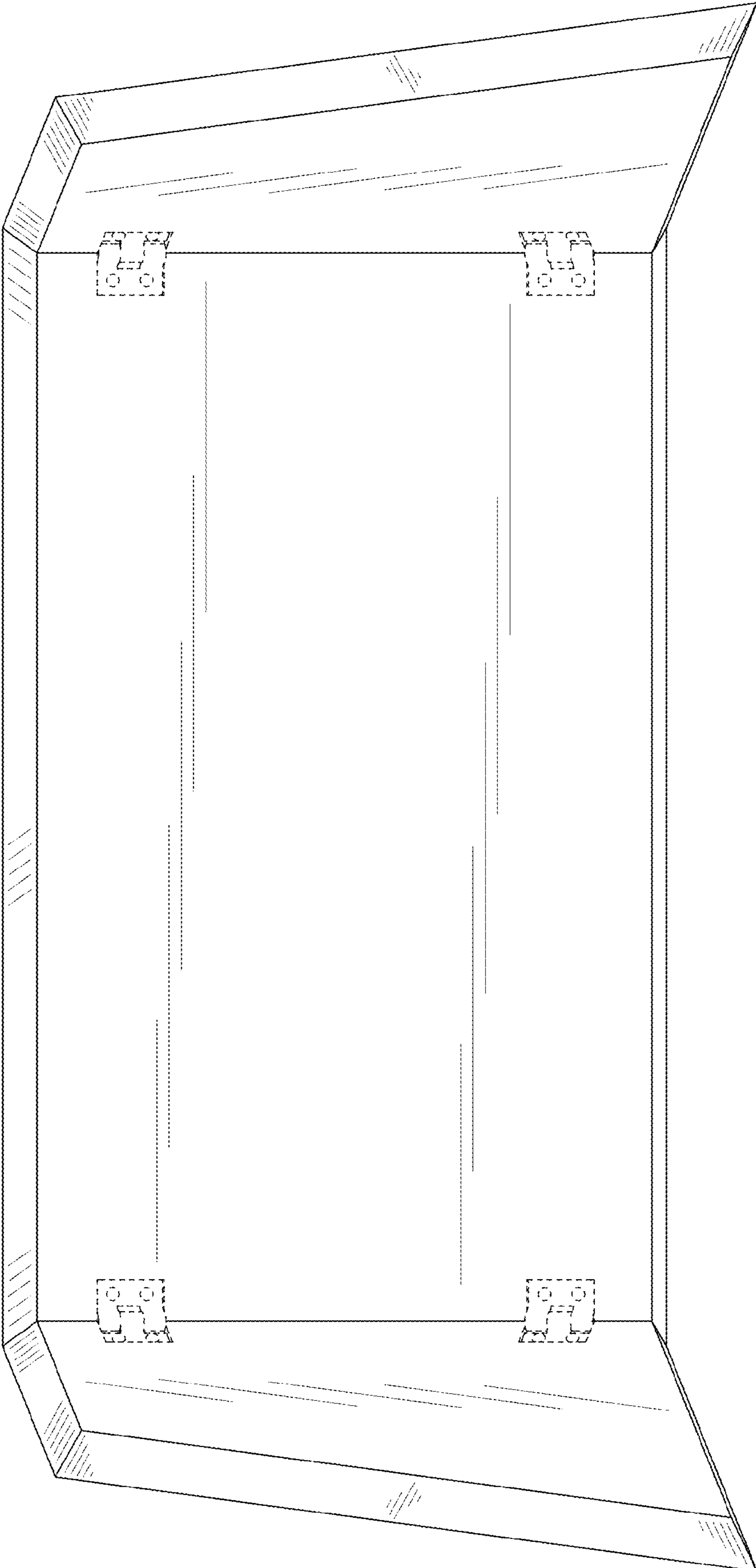


FIG. 8

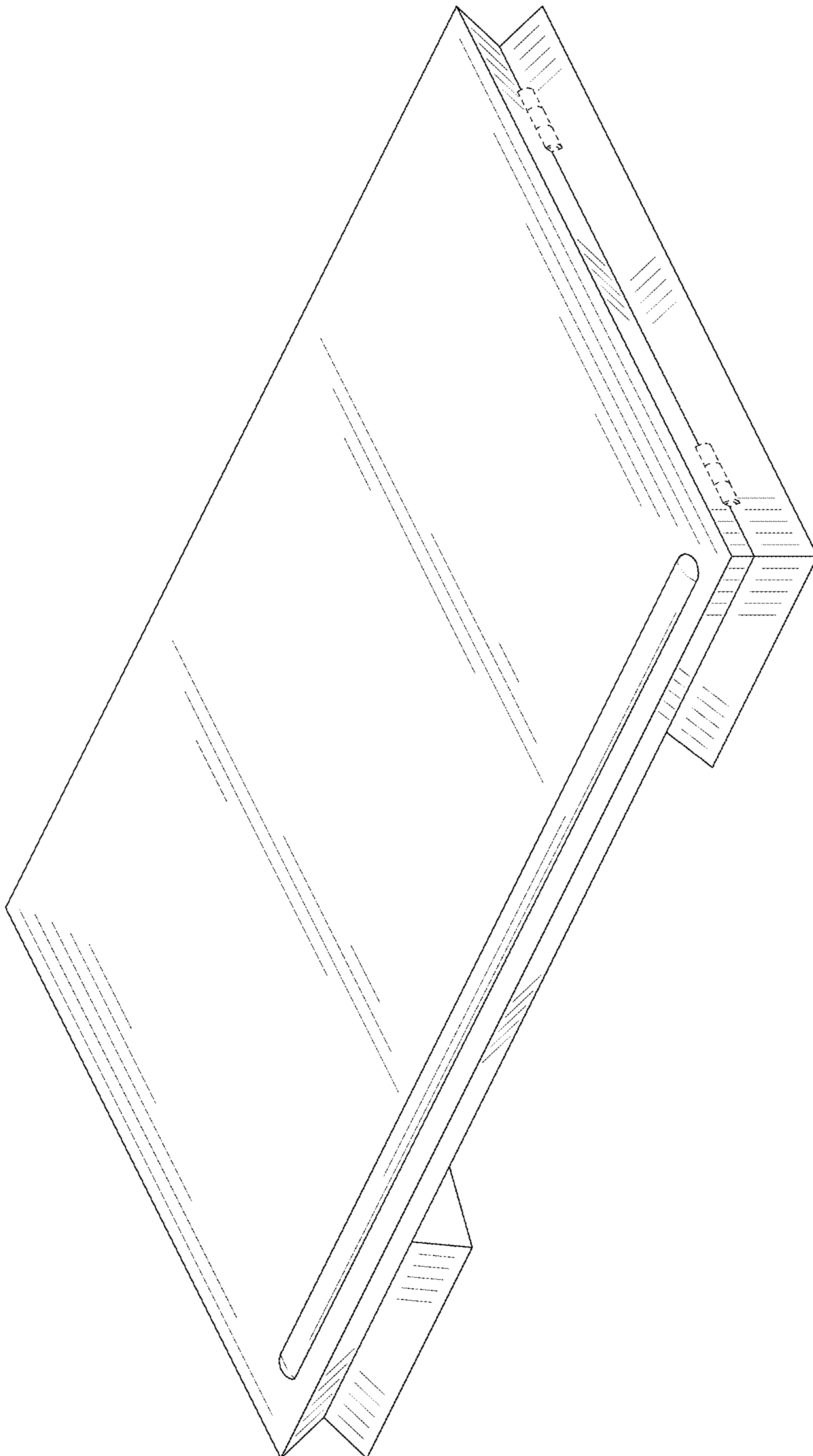


FIG. 9