



US00D982590S

(12) **United States Design Patent** (10) **Patent No.:** **US D982,590 S**
Troedson et al. (45) **Date of Patent:** **** Apr. 4, 2023**

(54) **CASE FOR PORTABLE ELECTRONIC COMPUTING DEVICE**
(71) Applicant: **Pioneer Square Brands, Inc.**, Seattle, WA (US)
(72) Inventors: **Emelie Elna Victoria Troedson**, Seattle, WA (US); **Brian Lewis Piper**, Seattle, WA (US)
(73) Assignee: **Pioneer Square Brands, Inc.**, McLean, VA (US)
(**) Term: **15 Years**
(21) Appl. No.: **29/863,015**
(22) Filed: **Dec. 14, 2022**
(51) **LOC (14) Cl.** **14-02**
(52) **U.S. Cl.**
USPC **D14/440**
(58) **Field of Classification Search**
USPC D14/440, 447, 250; 361/679.55; 206/45.23, 320, 45.2; 294/25; 455/575.8
CPC ... G06F 1/1628; G06F 1/1626; A47B 23/044; A45C 11/00
See application file for complete search history.

(56) **References Cited**
U.S. PATENT DOCUMENTS
D659,132 S * 5/2012 Wen G06F 1/1626 D14/250
D681,641 S 5/2013 Van Den Nieuwenhuizen et al.
8,523,124 B2 * 9/2013 Yuan H04M 1/04 248/677
D716,312 S * 10/2014 Fujioka D14/440
D721,080 S 1/2015 Mecchella et al.
D724,093 S 3/2015 Dong
D727,915 S 4/2015 Mecchella et al.
D754,133 S * 4/2016 Chen D14/440

D762,631 S * 8/2016 Kim D14/250
D789,937 S 6/2017 Zhang
D801,976 S 11/2017 Li
D808,395 S 1/2018 Fenton
D810,732 S 2/2018 Fenton et al.
D812,620 S 3/2018 Cheng
D816,087 S 4/2018 Fenton et al.
D817,334 S 5/2018 Fenton et al.
D819,038 S 5/2018 Diebel
D837,796 S 1/2019 Kim et al.
D852,201 S 1/2019 Chan et al.
D841,012 S 2/2019 Kim et al.
D841,013 S 2/2019 Ferren et al.
D861,698 S 2/2019 Fenton et al.
D844,611 S * 4/2019 Ferren D14/455
D848,441 S 5/2019 Ferren et al.
D850,454 S * 6/2019 Kim D14/440
D852,199 S 6/2019 Kim et al.
D852,200 S 6/2019 Chan et al.
D863,314 S 7/2019 Chan et al.

(Continued)

Primary Examiner — Cynthia R Underwood
(74) *Attorney, Agent, or Firm* — Grandview Law

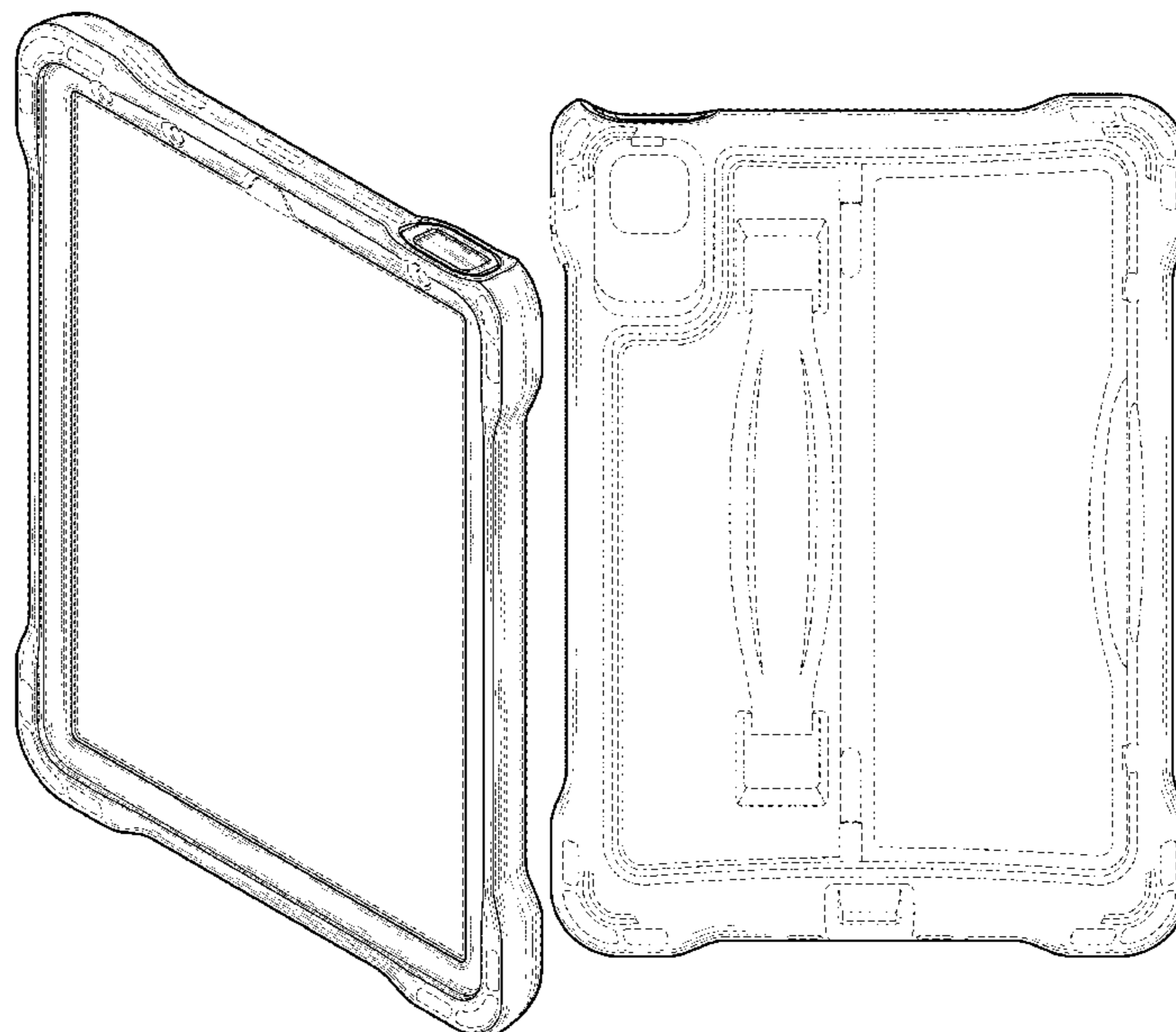
(57) **CLAIM**

The ornamental design for a case for portable electronic computing device, as shown and described.

DESCRIPTION

FIG. 1 is a front perspective view of a case for portable electronic computing device showing my new design.
FIG. 2 is a front elevational view thereof.
FIG. 3 is a rear elevational view thereof.
FIG. 4 is a left elevational view thereof.
FIG. 5 is a right elevational view thereof.
FIG. 6 is a top plan elevational view thereof; and,
FIG. 7 is a bottom plan view thereof.
The broken lines in the figures depict features of the case for portable electronic computing device that form no part of the claimed design.

1 Claim, 5 Drawing Sheets



(56)

References Cited

U.S. PATENT DOCUMENTS

D863,315 S	7/2019	Chan et al.	
D864,210 S	7/2019	Chan et al.	
D863,316 S	9/2019	Chan et al.	
D862,480 S	10/2019	Chan et al.	
D863,317 S	10/2019	Piper et al.	
D868,788 S	12/2019	Weng	
D871,388 S	* 12/2019	Kim	D14/250
D874,467 S	* 2/2020	Piper	D14/440
D877,509 S	3/2020	Kilkenny	
D881,895 S	4/2020	Liu	
D887,415 S	6/2020	Claudepierre et al.	
D888,063 S	6/2020	Chan et al.	
D888,720 S	6/2020	Moore	
D892,806 S	8/2020	Manzano et al.	
D895,630 S	9/2020	Piper et al.	
D902,215 S	11/2020	Quan	
D902,934 S	11/2020	Manzano et al.	
D908,708 S	1/2021	Miller et al.	
D913,295 S	3/2021	Piper et al.	
D915,377 S	* 4/2021	Kim	D14/250
D920,337 S	5/2021	Chan et al.	
D920,983 S	6/2021	Chan et al.	
D922,392 S	6/2021	Chan et al.	
D926,194 S	7/2021	Piper et al.	
D930,002 S	9/2021	Zhou	
D932,493 S	10/2021	Xiong	
D933,074 S	10/2021	Hu	
D934,262 S	10/2021	Manzano et al.	
D940,145 S	1/2022	Zhang	
D943,591 S	2/2022	Zhu	
D943,593 S	2/2022	Piper	
D941,823 S	6/2022	Hu	
D963,654 S	9/2022	Yan	
D964,994 S	9/2022	Chan et al.	
D964,995 S	9/2022	Troedson et al.	
D964,996 S	9/2022	Piper	
D964,997 S	9/2022	Chan	
D964,998 S	9/2022	Troedson et al.	
D965,599 S	10/2022	Piper	
D966,272 S	10/2022	Chan	
D966,273 S	10/2022	Chan et al.	
D967,112 S	* 10/2022	Troedson	D14/440
D967,114 S	10/2022	Piper	
D967,828 S	10/2022	Cheng	
D967,830 S	10/2022	Cheng	
D968,413 S	* 11/2022	Li	D14/440
D969,134 S	11/2022	Chan	
D970,510 S	11/2022	Cheng	
D971,221 S	11/2022	Chan et al.	

* cited by examiner

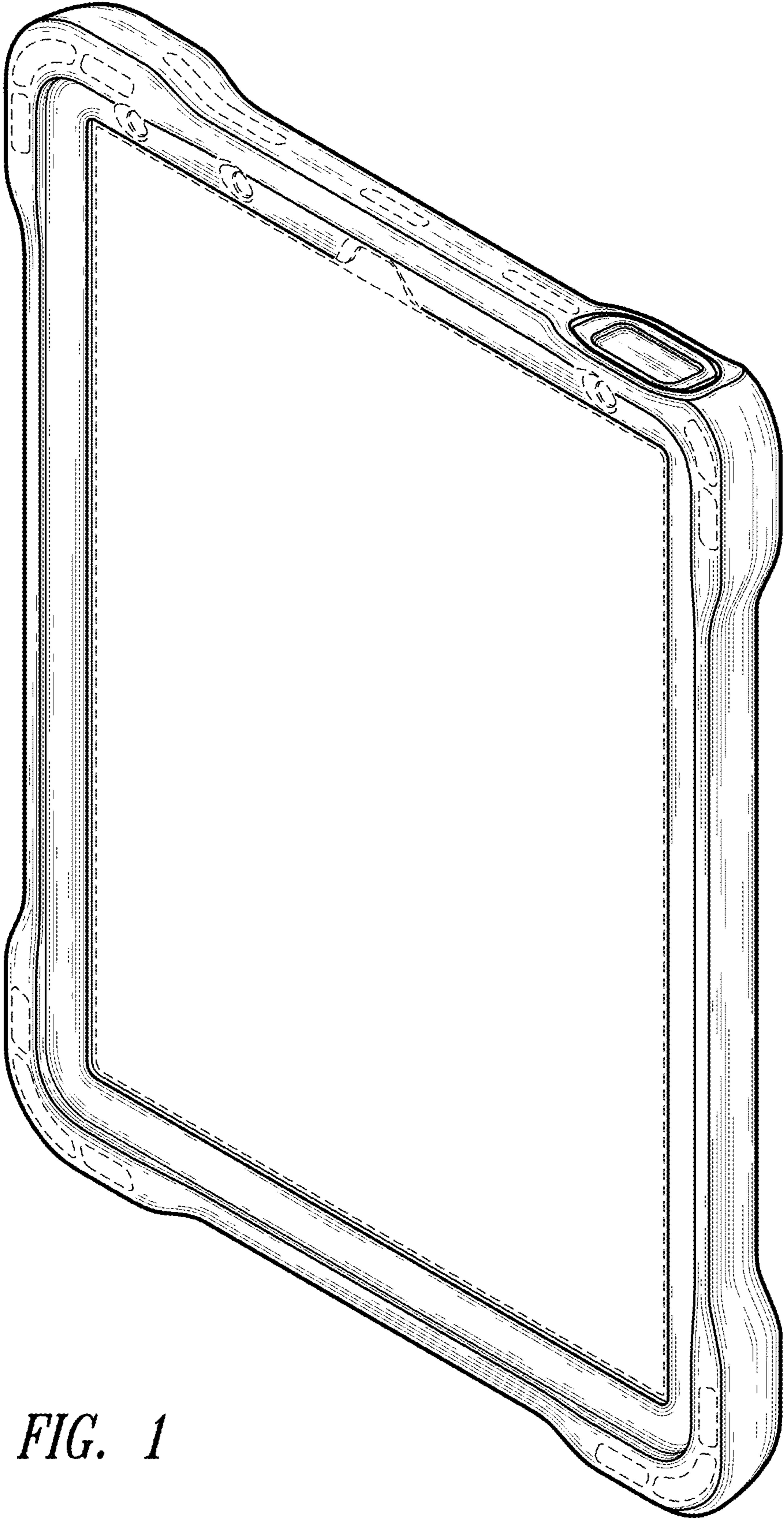


FIG. 1

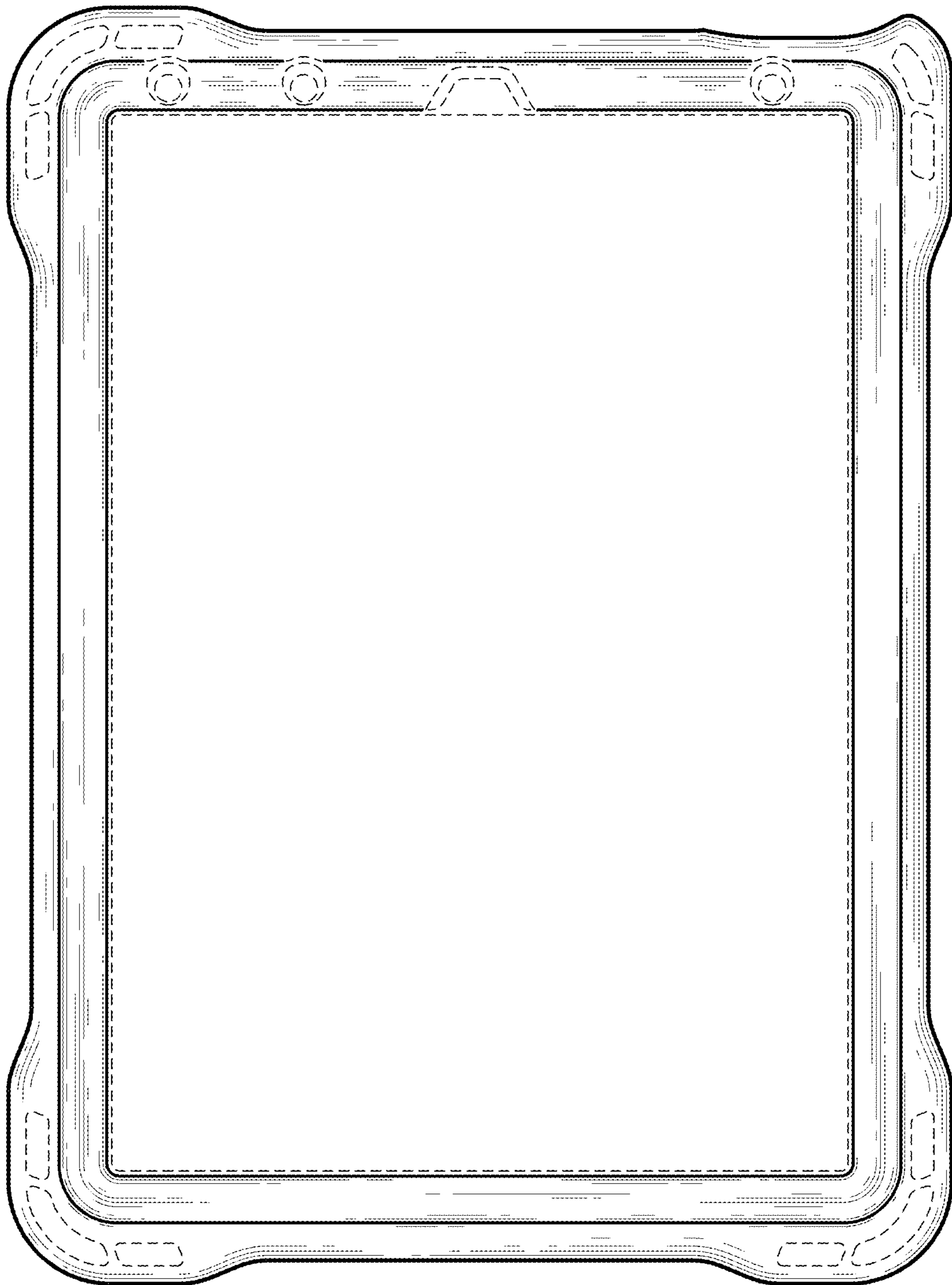


FIG. 2

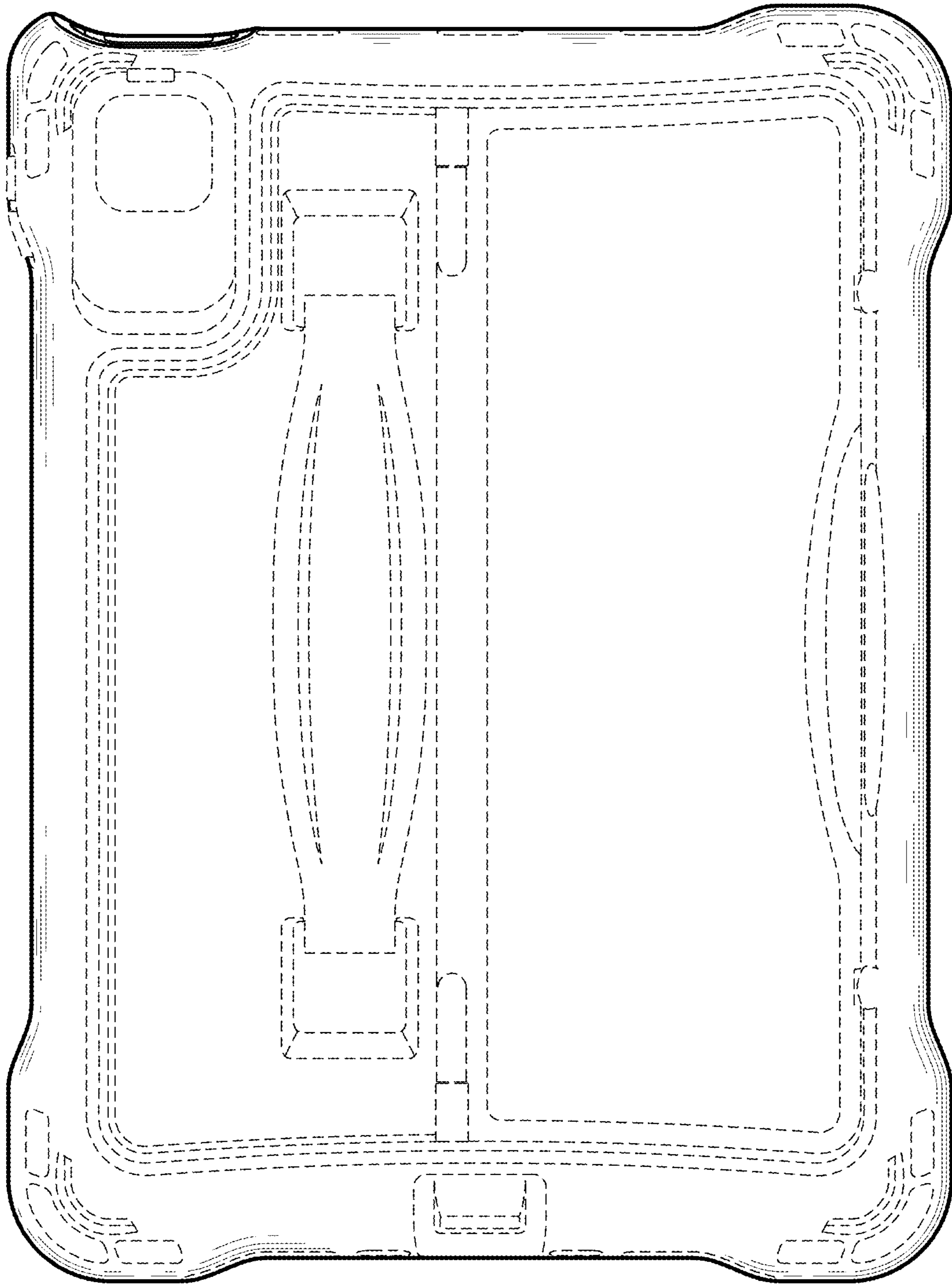


FIG. 3

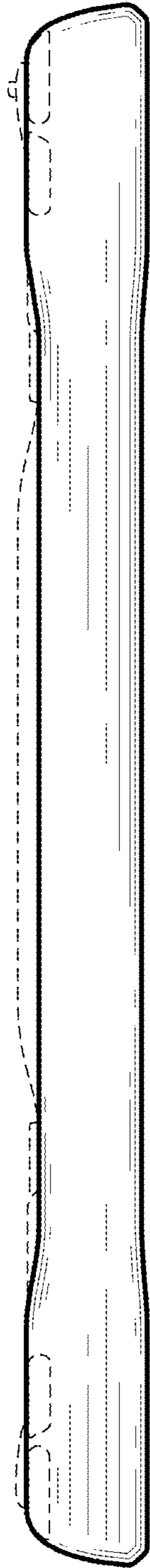


FIG. 4

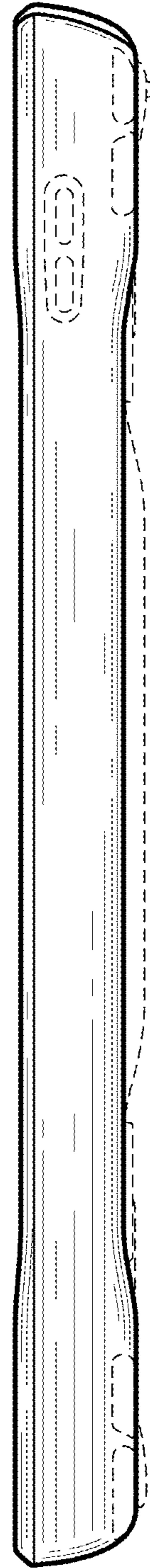


FIG. 5

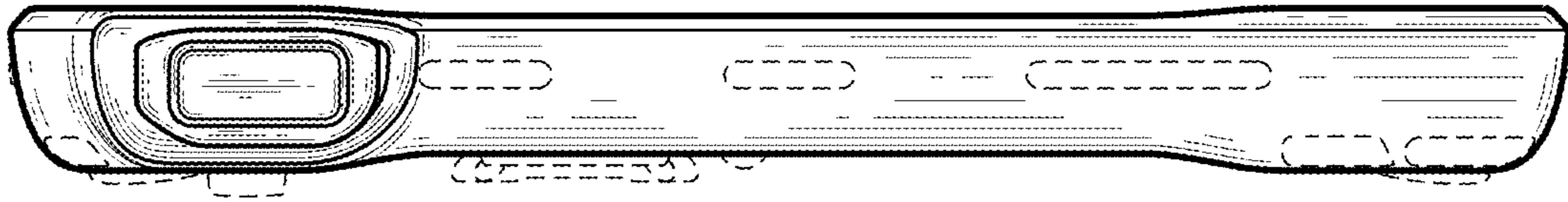


FIG. 6

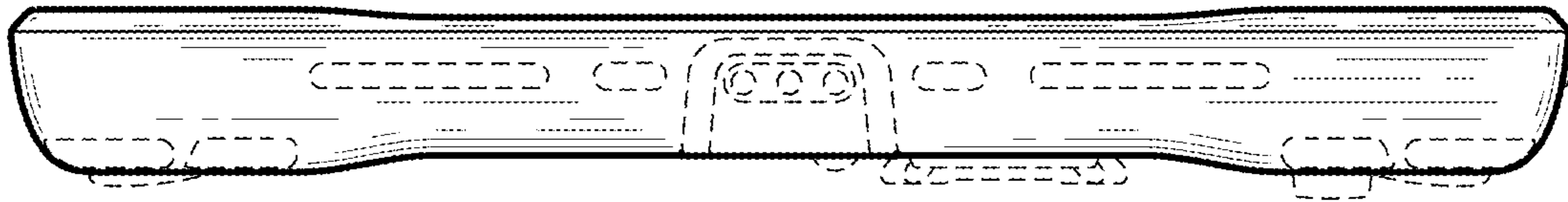


FIG. 7