



US00D982589S

(12) **United States Design Patent** (10) **Patent No.:** **US D982,589 S**  
**Troedson et al.** (45) **Date of Patent:** **\*\* Apr. 4, 2023**

(54) **CASE FOR PORTABLE ELECTRONIC COMPUTING DEVICE**  
(71) Applicant: **Pioneer Square Brands, Inc.**, Seattle, WA (US)  
(72) Inventors: **Emelie Elna Victoria Troedson**, Seattle, WA (US); **Brian Lewis Piper**, Seattle, WA (US)  
(73) Assignee: **Pioneer Square Brands, Inc.**, McLean, VA (US)  
(\*\*) Term: **15 Years**  
(21) Appl. No.: **29/862,739**  
(22) Filed: **Dec. 12, 2022**  
(51) **LOC (14) Cl.** ..... **14-02**  
(52) **U.S. Cl.**  
USPC ..... **D14/440**  
(58) **Field of Classification Search**  
USPC ..... D14/440, 447, 250; 361/679.55; 206/45.23, 320, 45.2; 294/25; 455/575.8  
CPC ... G06F 1/1628; G06F 1/1626; A47B 23/044; A45C 11/00  
See application file for complete search history.

(56) **References Cited**  
U.S. PATENT DOCUMENTS  
D659,132 S \* 5/2012 Wen ..... G06F 1/1626 D14/250  
D681,641 S 5/2013 Van Den Nieuwenhuizen et al.  
8,523,124 B2 \* 9/2013 Yuan ..... H04M 1/04 248/677  
D716,312 S \* 10/2014 Fujioka ..... D14/440  
D721,080 S 1/2015 Mecchella et al.  
D724,093 S 3/2015 Dong  
D727,915 S 4/2015 Mecchella et al.  
D754,133 S \* 4/2016 Chen ..... D14/440

D762,631 S \* 8/2016 Kim ..... D14/250  
D789,937 S 6/2017 Zhang  
D801,976 S 11/2017 Li  
D808,395 S 1/2018 Fenton  
D810,732 S 2/2018 Fenton et al.  
D812,620 S 3/2018 Cheng  
D816,087 S 4/2018 Fenton et al.  
D817,334 S 5/2018 Fenton et al.  
D819,038 S 5/2018 Diebel  
D837,796 S 1/2019 Kim et al.  
D841,012 S 2/2019 Kim et al.  
D841,013 S 2/2019 Ferren et al.  
D844,611 S \* 4/2019 Ferren ..... D14/455  
D848,441 S 5/2019 Ferren et al.  
D850,454 S \* 6/2019 Kim ..... D14/440  
D852,199 S 6/2019 Kim et al.  
D852,200 S 6/2019 Chan et al.  
D852,201 S 6/2019 Chan et al.  
D863,314 S 7/2019 Chan et al.  
D863,315 S 7/2019 Chan et al.

(Continued)

*Primary Examiner* — Cynthia R Underwood  
(74) *Attorney, Agent, or Firm* — Grandview Law

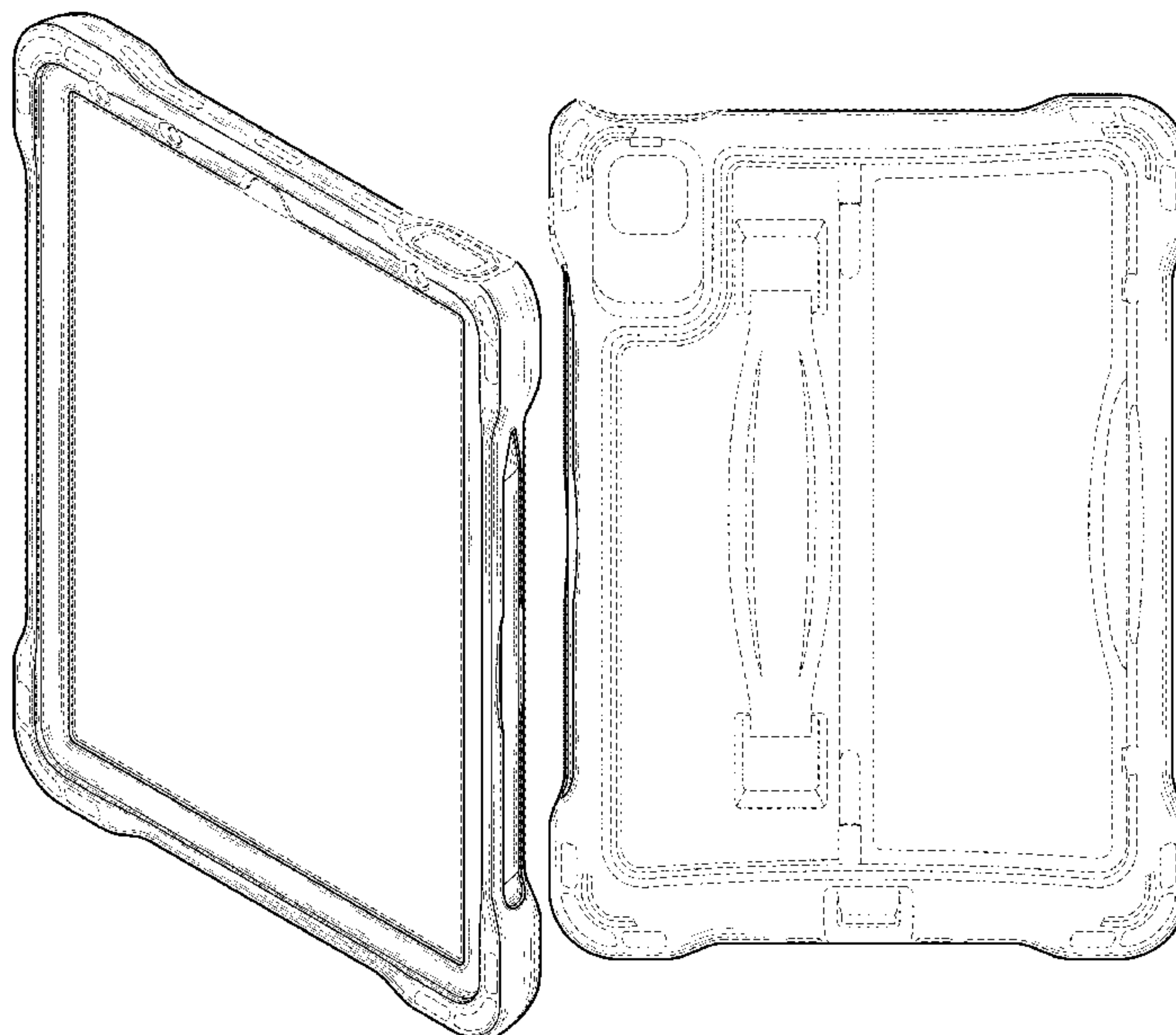
(57) **CLAIM**

The ornamental design for a case for portable electronic computing device, as shown and described.

**DESCRIPTION**

FIG. 1 is a front perspective view of a case for portable electronic computing device showing my new design.  
FIG. 2 is a front elevational view thereof.  
FIG. 3 is a rear elevational view thereof.  
FIG. 4 is a left elevational view thereof.  
FIG. 5 is a right elevational view thereof.  
FIG. 6 is a top plan elevational view thereof; and,  
FIG. 7 is a bottom plan view thereof.  
The broken lines in the figures depict features of the case for portable electronic computing device that form no part of the claimed design.

**1 Claim, 5 Drawing Sheets**



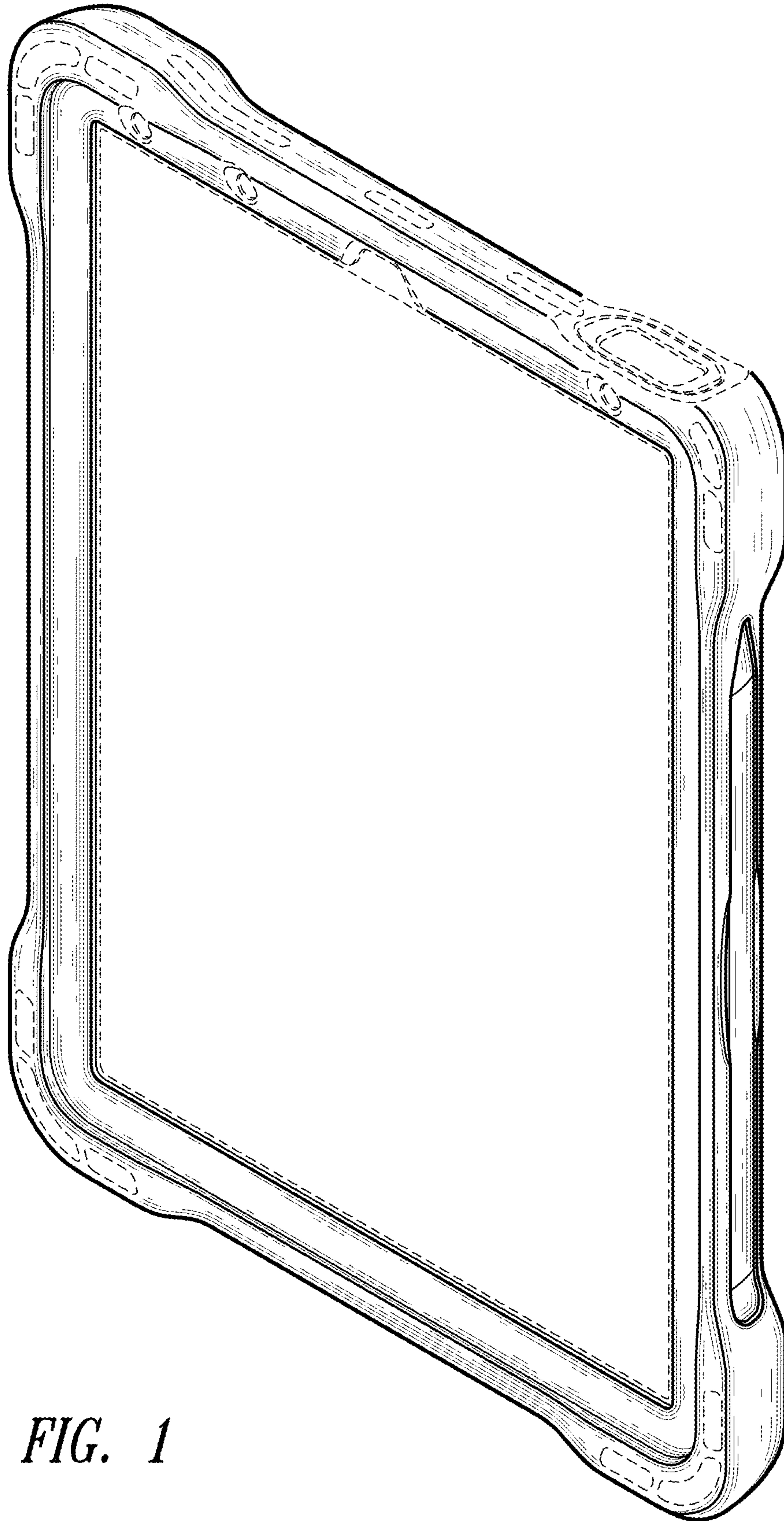
(56)

References Cited

U.S. PATENT DOCUMENTS

D864,210 S	7/2019	Chan et al.	
D863,316 S	9/2019	Chan et al.	
D861,698 S	10/2019	Fenton et al.	
D862,480 S	10/2019	Chan et al.	
D863,317 S	10/2019	Piper et al.	
D868,788 S	12/2019	Weng	
D871,388 S	* 12/2019	Kim .....	D14/250
D874,467 S	* 2/2020	Piper .....	D14/440
D877,509 S	3/2020	Kilkenny	
D881,895 S	4/2020	Liu	
D887,415 S	6/2020	Claudepierre et al.	
D888,063 S	6/2020	Chan et al.	
D888,720 S	6/2020	Moore	
D892,806 S	8/2020	Manzano et al.	
D895,630 S	9/2020	Piper et al.	
D902,215 S	11/2020	Quan	
D902,934 S	11/2020	Manzano et al.	
D908,708 S	1/2021	Miller et al.	
D913,295 S	3/2021	Piper et al.	
D915,377 S	* 4/2021	Kim .....	D14/250
D920,337 S	5/2021	Chan et al.	
D920,983 S	6/2021	Chan et al.	
D922,392 S	6/2021	Chan et al.	
D926,194 S	7/2021	Piper et al.	
D930,002 S	9/2021	Zhou	
D932,493 S	10/2021	Xiong	
D933,074 S	10/2021	Hu	
D934,262 S	10/2021	Manzano et al.	
D940,145 S	1/2022	Zhang	
D943,591 S	2/2022	Zhu	
D943,593 S	2/2022	Piper	
D941,823 S	6/2022	Hu	
D963,654 S	9/2022	Yan	
D964,994 S	9/2022	Chan et al.	
D964,995 S	9/2022	Troedson et al.	
D964,996 S	9/2022	Piper	
D964,997 S	9/2022	Chan	
D964,998 S	9/2022	Troedson et al.	
D965,599 S	10/2022	Piper	
D966,272 S	10/2022	Chan	
D966,273 S	10/2022	Chan et al.	
D967,112 S	* 10/2022	Troedson .....	D14/440
D967,114 S	10/2022	Piper	
D967,828 S	10/2022	Cheng	
D967,830 S	10/2022	Cheng	
D968,413 S	* 11/2022	Li .....	D14/440
D969,134 S	11/2022	Chan	
D970,510 S	11/2022	Cheng	
D971,221 S	11/2022	Chan et al.	

\* cited by examiner



*FIG. 1*



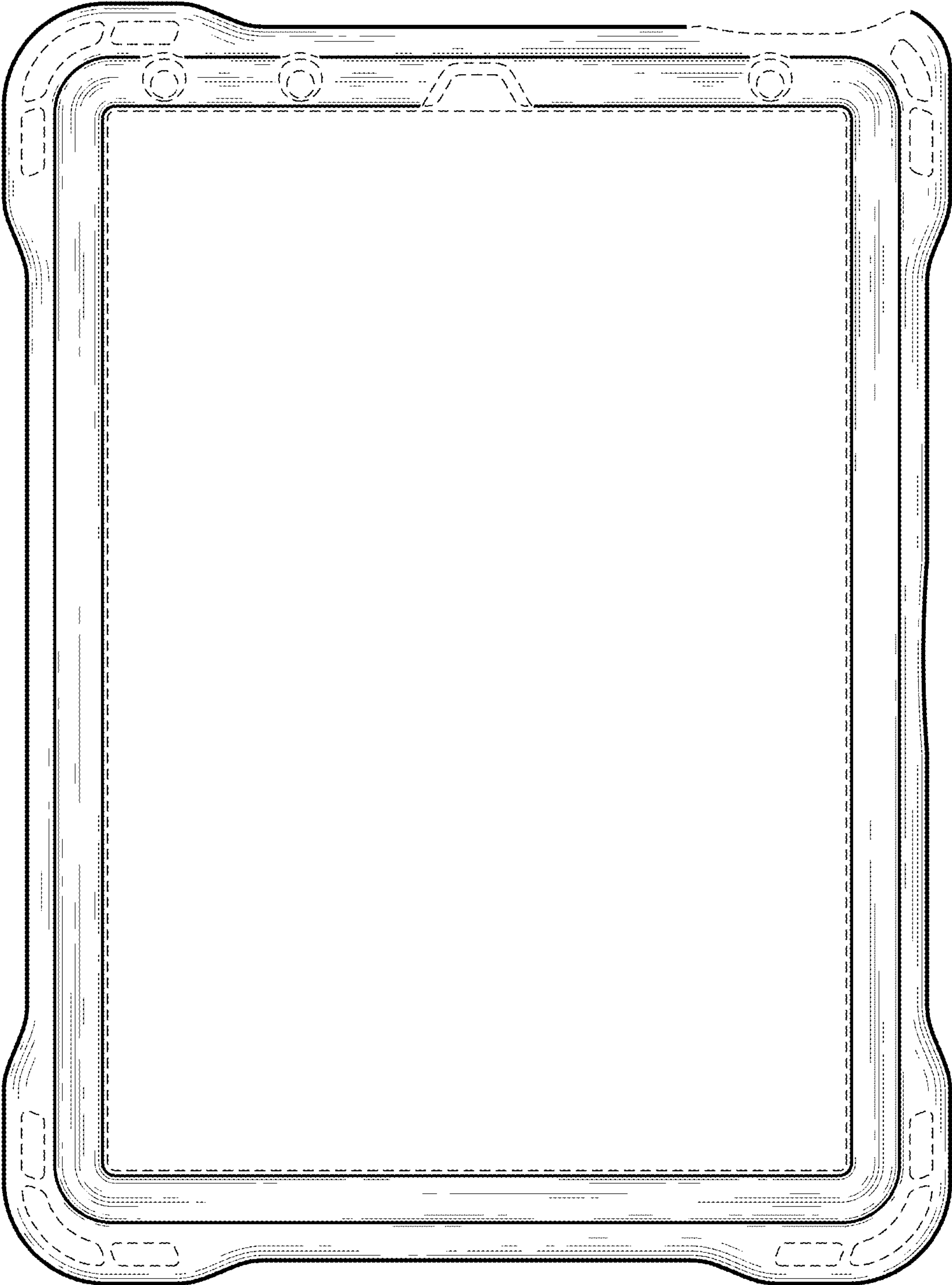


FIG. 2

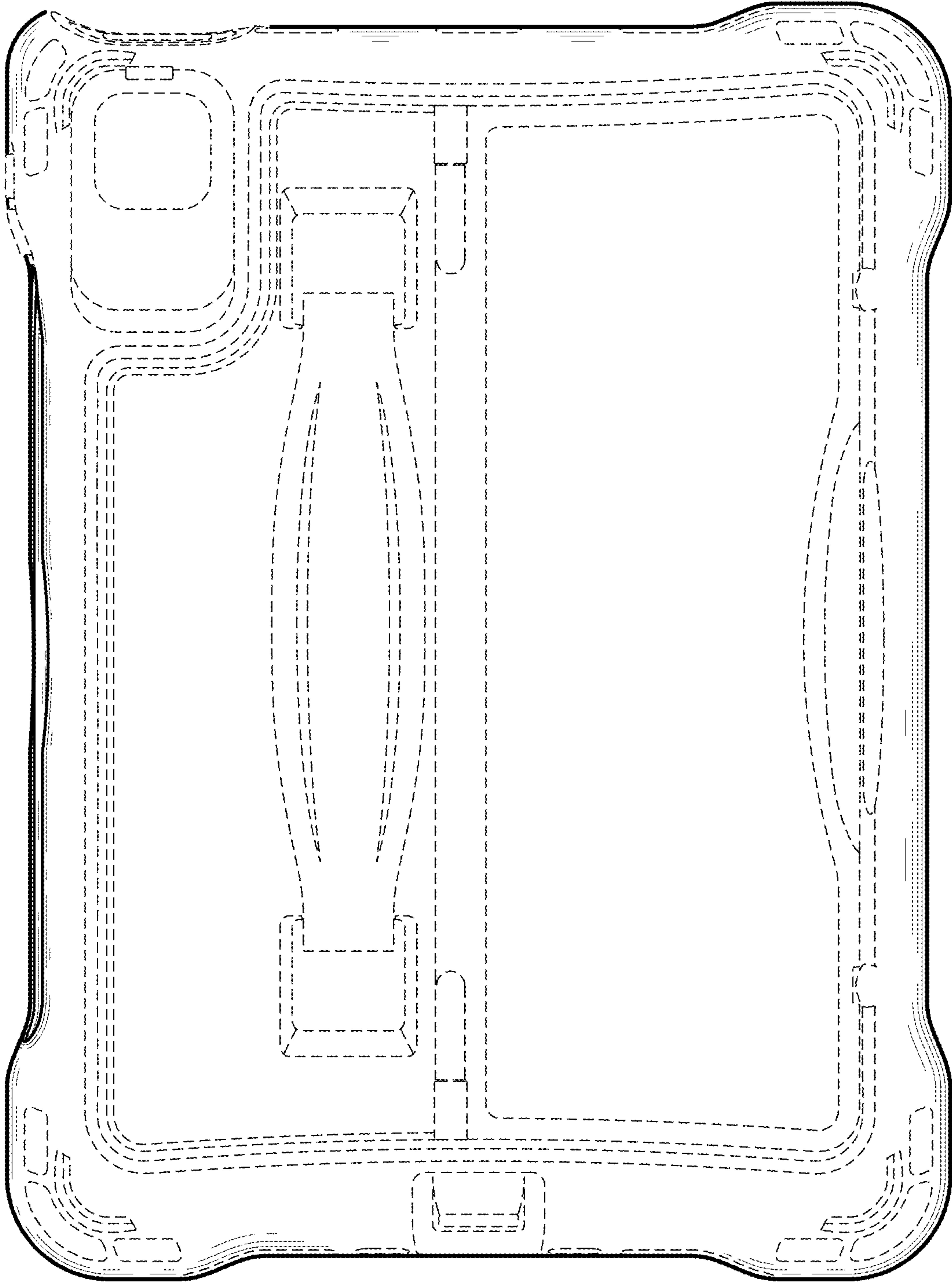
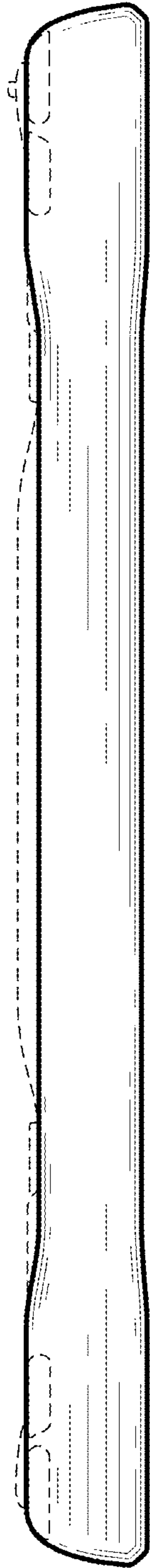
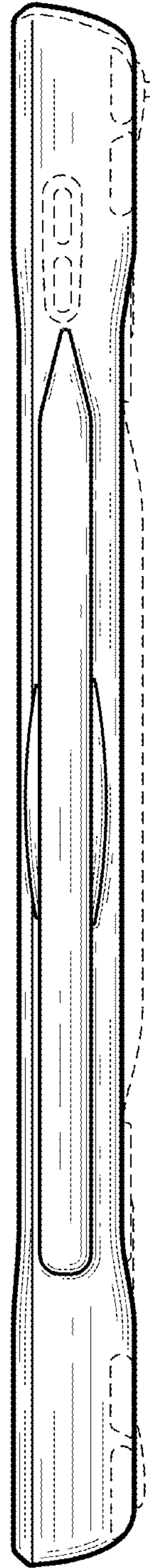


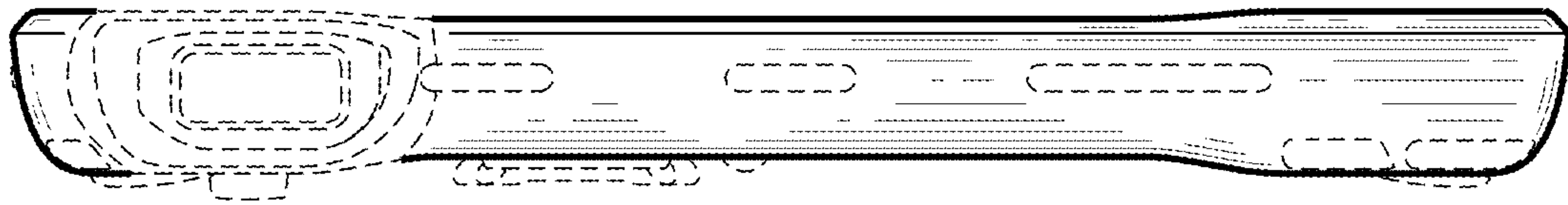
FIG. 3



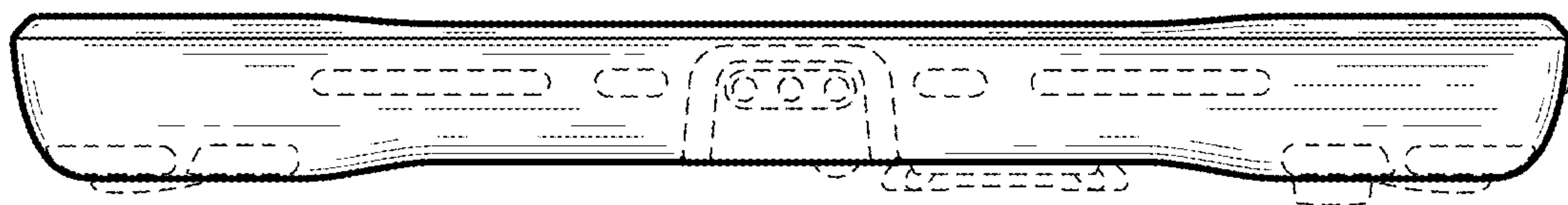
*FIG. 4*



*FIG. 5*



*FIG. 6*



*FIG. 7*