



US00D982588S

(12) **United States Design Patent**
Cai

(10) **Patent No.:** **US D982,588 S**

(45) **Date of Patent:** **** Apr. 4, 2023**

(54) **HUB**

(71) Applicant: **SHENZHEN DEONE INNOVATION TECHNOLOGY CO., LTD**, Shenzhen (CN)

(72) Inventor: **Xueliang Cai**, Shenzhen (CN)

(73) Assignee: **SHENZHEN DEONE INNOVATION TECHNOLOGY CO., LTD**, Shenzhen (CN)

(**) Term: **15 Years**

(21) Appl. No.: **29/857,848**

(22) Filed: **Oct. 26, 2022**

Related U.S. Application Data

(62) Division of application No. 29/847,672, filed on Jul. 27, 2022.

(30) **Foreign Application Priority Data**

Jul. 14, 2022 (CN) 202230447459.1

(51) **LOC (14) Cl.** **14-02**

(52) **U.S. Cl.**

USPC **D14/433**

(58) **Field of Classification Search**

USPC D14/203.1–203.3, 348, 356–358, 363, D14/367–369, 432–438, 480.1–480.7, D14/484.1; D13/103, 107–108, 110, 158, D13/168–169

CPC G06F 2213/38; G06F 2213/4004; G06F 2213/4002

See application file for complete search history.

(56) **References Cited**

U.S. PATENT DOCUMENTS

D361,538 S * 8/1995 Hill D13/110
D365,340 S * 12/1995 Hill D8/347

D454,110 S * 3/2002 Andre D13/110
D537,034 S * 2/2007 Kang D13/103
D565,571 S * 4/2008 Trifilio D14/356

(Continued)

FOREIGN PATENT DOCUMENTS

CN 306746202 * 8/2021
EM 009095409-0003 * 8/2022

OTHER PUBLICATIONS

USB C Laptop Docking Station for Steam Deck, Maxtude, amazon.com, published by Maxtude, first available on Nov. 22, 2022 © 1996-2023 Amazon.com, Inc., online, site visited Jan. 20, 2023. Available from Internet, URL: <https://www.amazon.com/Docking-Maxtude-Ethernet-Charging-Compatible/dp/B0BN31DHMF/> (Year: 2022).*

Primary Examiner — Holly E Thurman

Assistant Examiner — Altaira J Swangin

(74) *Attorney, Agent, or Firm* — Daniel M. Cohn; Howard M. Cohn

(57) **CLAIM**

The ornamental design for a hub, as shown and described.

DESCRIPTION

FIG. 1 is a perspective view of a hub showing my new design;

FIG. 2 is another perspective view thereof;

FIG. 3 is a front elevational view thereof;

FIG. 4 is a rear elevational view thereof;

FIG. 5 is a left side elevational view thereof;

FIG. 6 is a right side elevational view thereof;

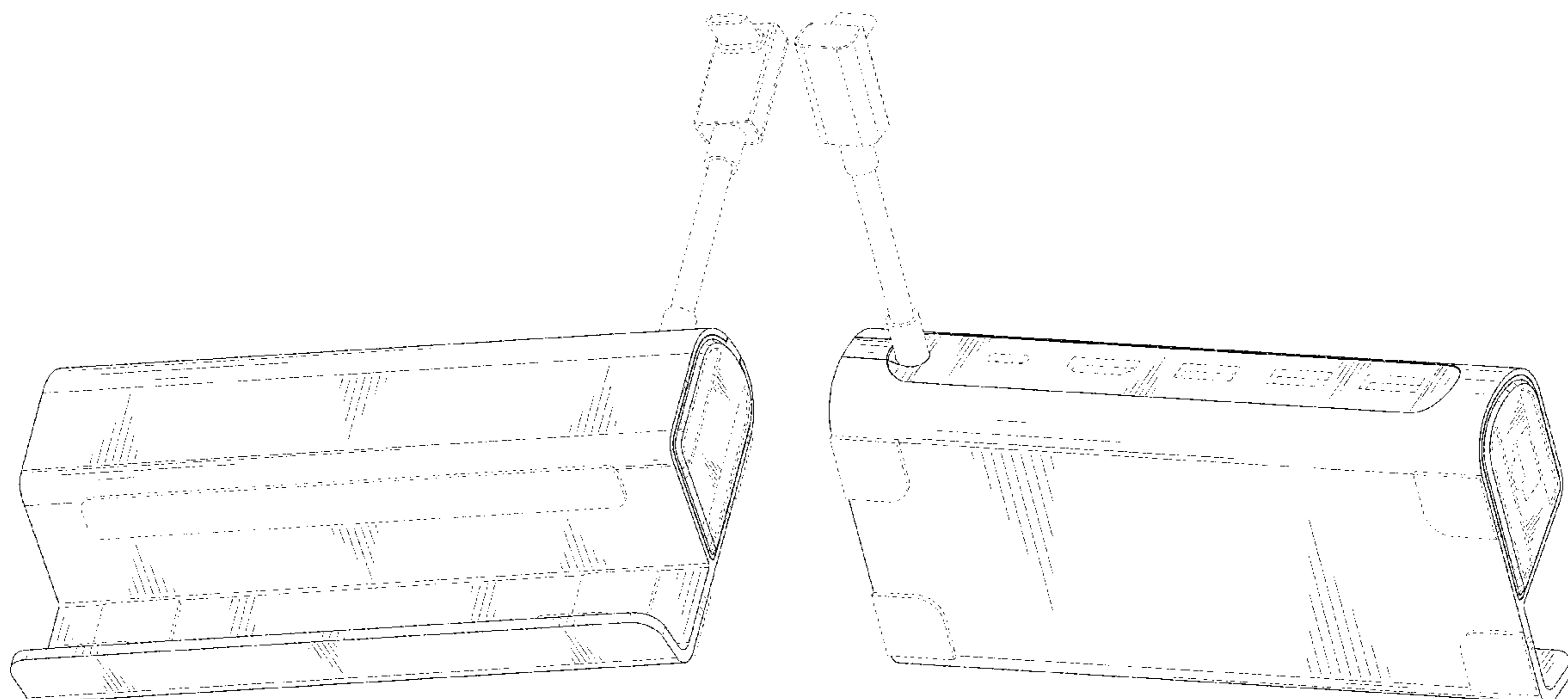
FIG. 7 is a top plan view thereof;

FIG. 8 is a bottom plan view thereof; and,

FIG. 9 is a perspective view of the hub where the hub is in a configuration of use.

The broken lines in the drawings depict portions of the hub that form no part of the claimed design.

1 Claim, 9 Drawing Sheets



(56)

References Cited

U.S. PATENT DOCUMENTS

D574,375	S	*	8/2008	Prest	D14/217
D585,059	S	*	1/2009	Maiers	D14/356
D587,706	S	*	3/2009	Maiers	D14/356
D587,707	S	*	3/2009	Maiers	D14/356
D616,449	S	*	5/2010	Lo	D14/480.7
D639,789	S	*	6/2011	Kim	D14/242
D654,083	S	*	2/2012	Lo	D14/480.7
D654,450	S	*	2/2012	McManigal	D14/129
D685,322	S	*	7/2013	Szymanski	D13/108
D690,647	S	*	10/2013	Huang	D13/108
D699,675	S	*	2/2014	Jacobs	H04R 27/00 D13/110
D741,336	S	*	10/2015	Miniard	D14/447
D742,382	S	*	11/2015	Shao	D14/432
D746,823	S	*	1/2016	Lai	D14/434
D763,185	S	*	8/2016	Wen	D13/103
D773,389	S	*	12/2016	Miller	D13/103
D790,464	S	*	6/2017	He	D13/110
D816,026	S	*	4/2018	Georgiades	D13/103
D864,209	S	*	10/2019	Wang	D14/433
D864,966	S	*	10/2019	Sang	D14/433
D883,293	S	*	5/2020	Zhang	D14/433
D886,826	S	*	6/2020	Zhan	D14/433
D903,588	S	*	12/2020	Shoemake	D13/103
D907,041	S	*	1/2021	Jiang	D14/433
D915,408	S	*	4/2021	Zhang	D14/433
D924,135	S	*	7/2021	England	D13/110
D934,258	S	*	10/2021	Zhang	D14/433
D939,505	S	*	12/2021	Zhang	D14/433
D949,854	S	*	4/2022	Jung	D14/358
D956,689	S	*	7/2022	Reilly	D13/103
D975,011	S	*	1/2023	Liang	D13/103

* cited by examiner

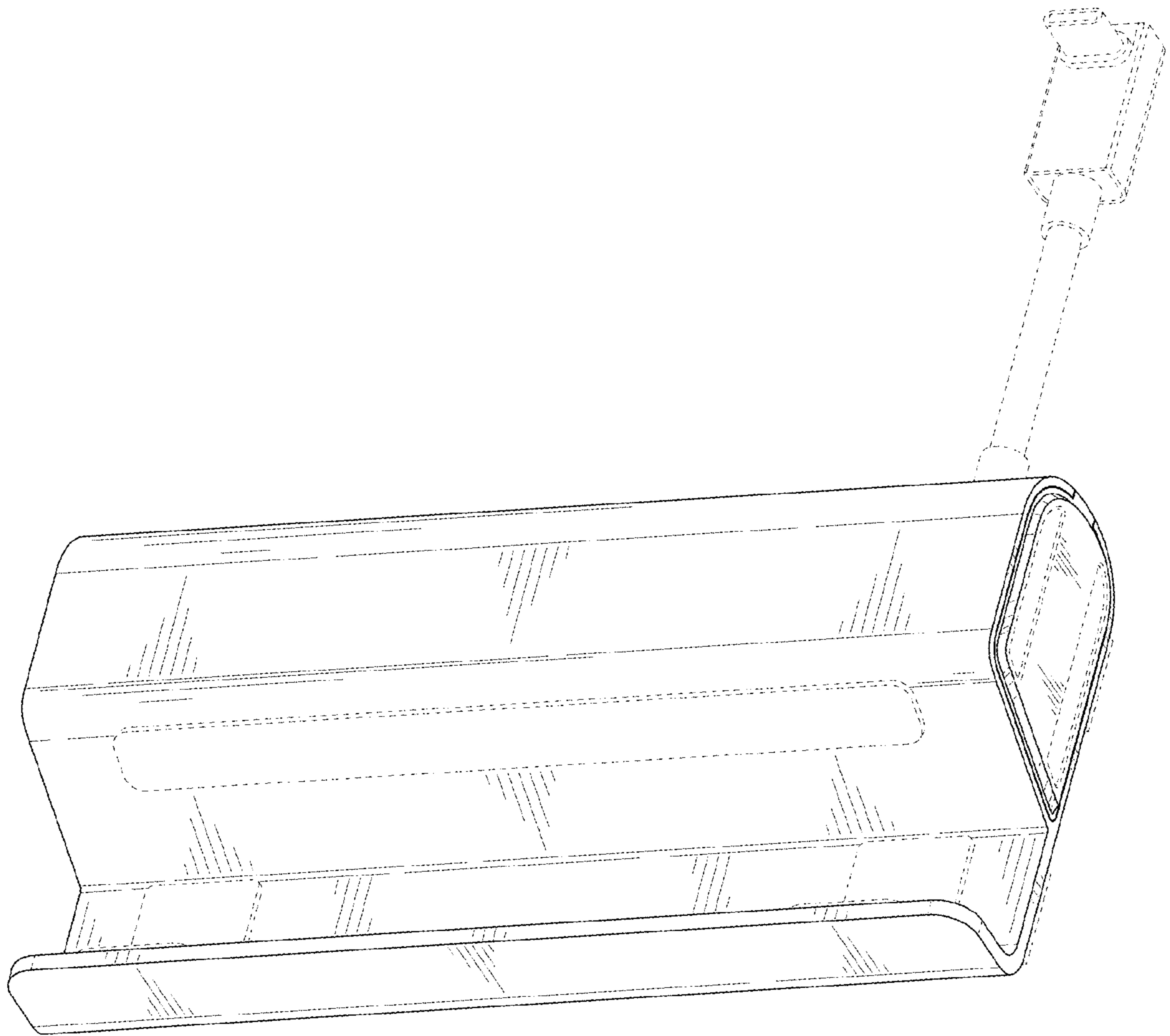


FIG. 1

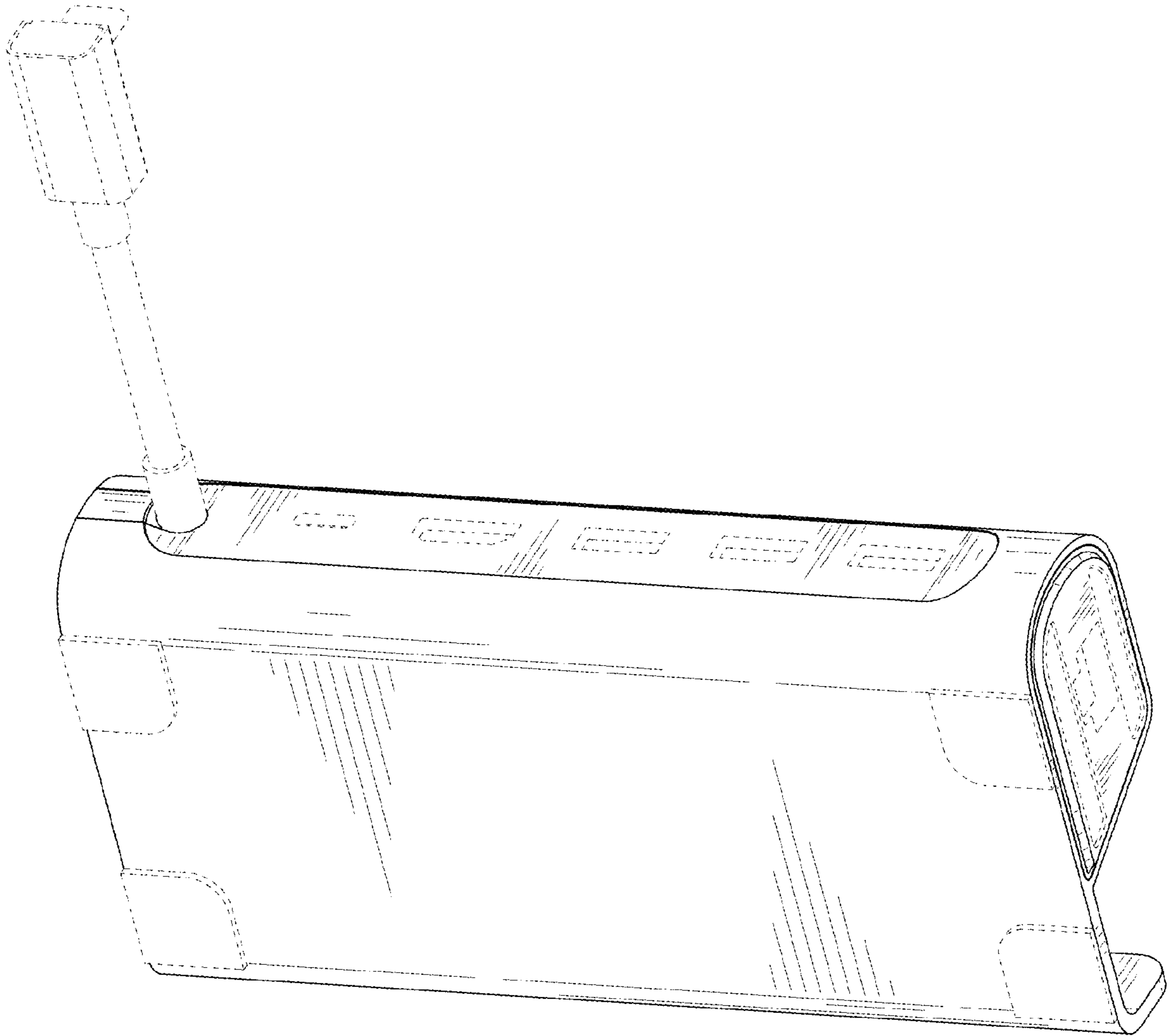


FIG. 2

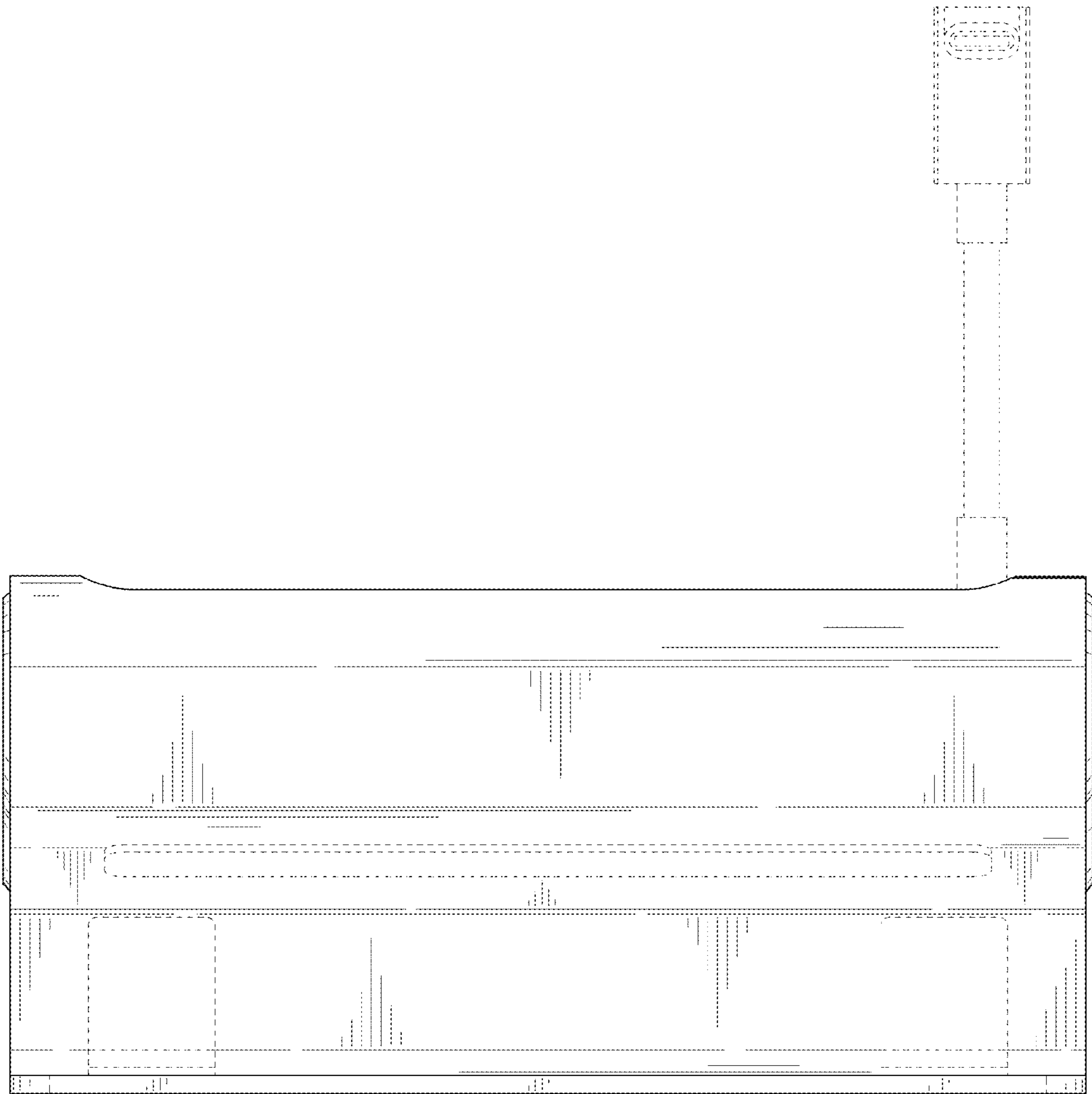


FIG. 3

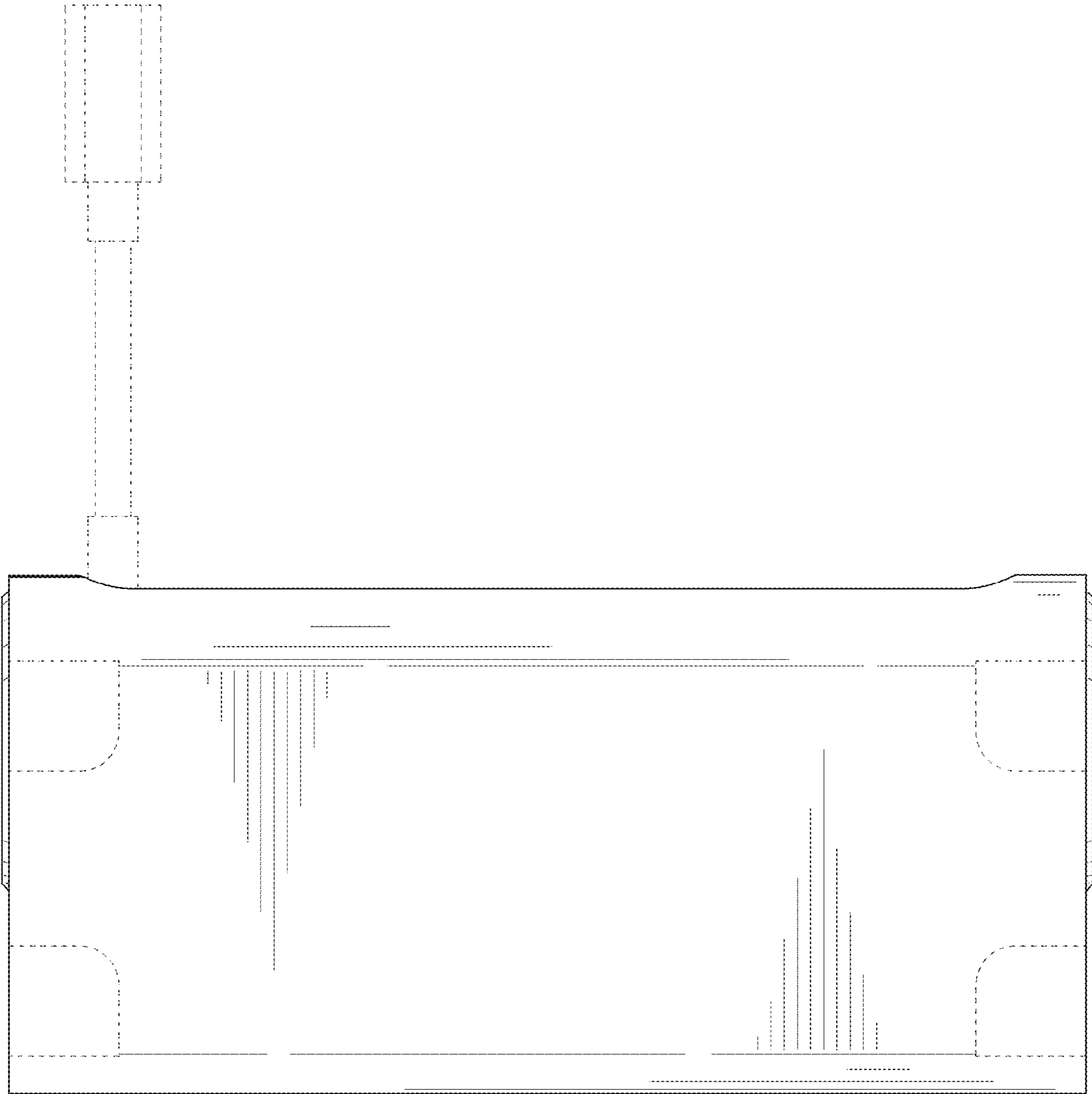


FIG. 4

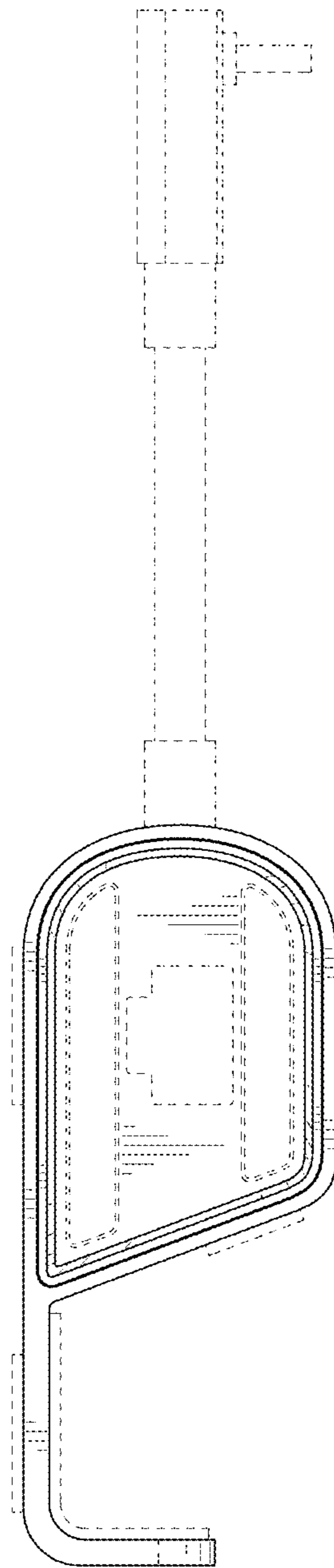


FIG. 5

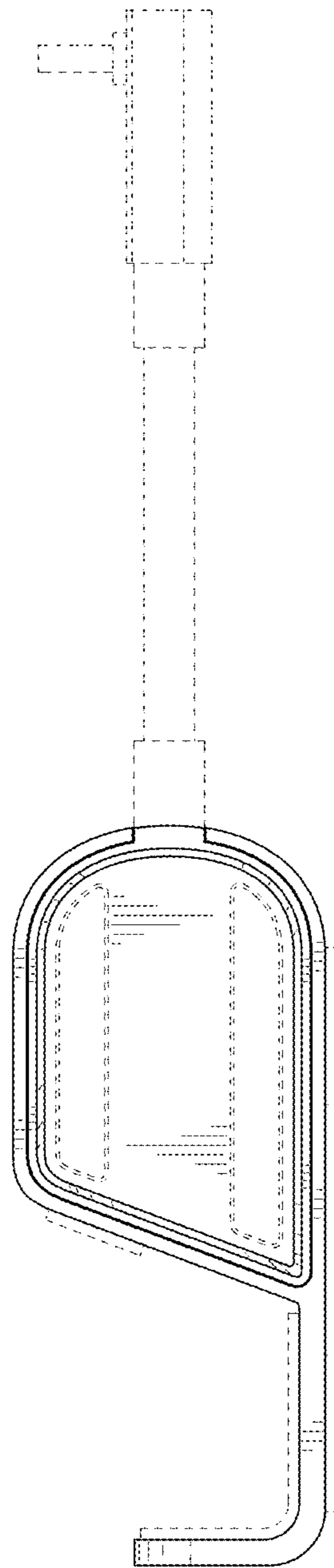


FIG. 6

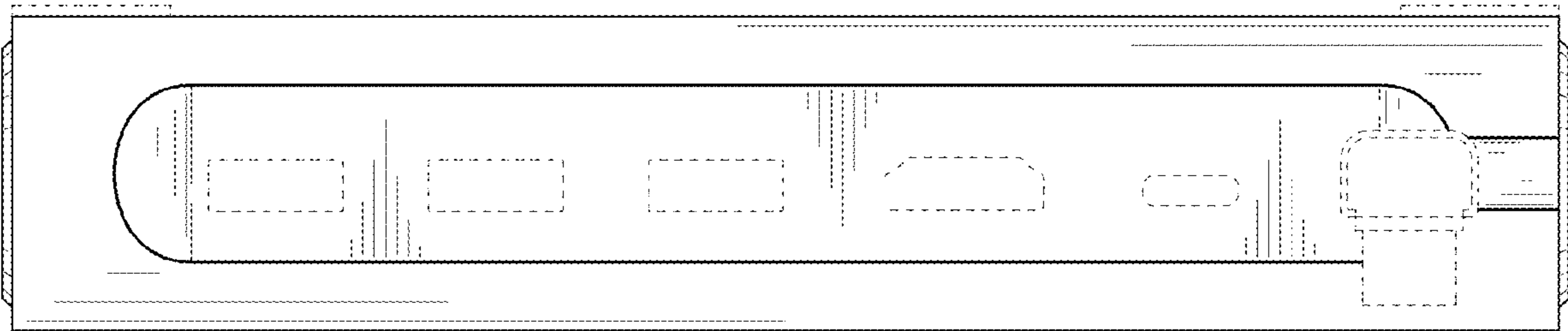


FIG. 7

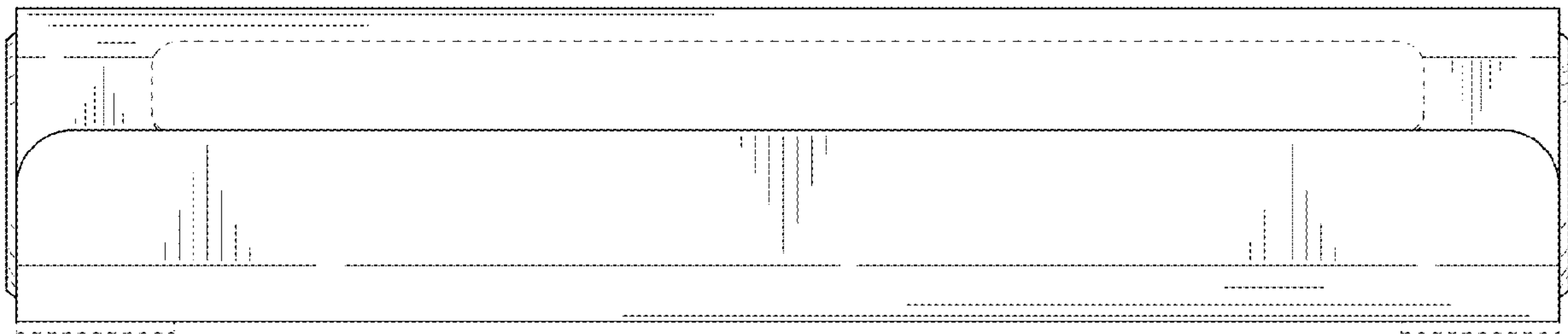


FIG. 8

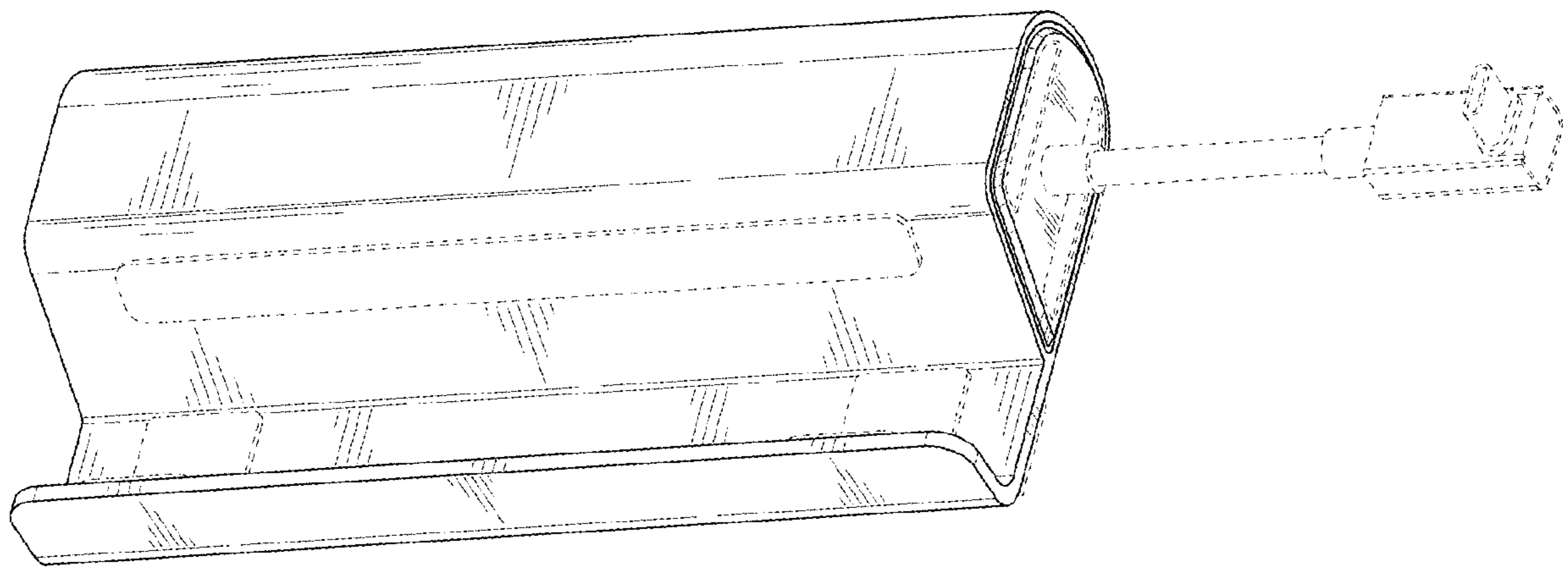


FIG. 9