



US00D982585S

(12) **United States Design Patent** (10) **Patent No.:** **US D982,585 S**
Zhou et al. (45) **Date of Patent:** **** Apr. 4, 2023**

(54) **INDICIA SCANNER**

(71) Applicant: **Hand Held Products, Inc.**, Fort Mill, SC (US)
 (72) Inventors: **Peng Zhou**, Suzhou (CN); **Timothy R. Fitch**, Syracuse, NY (US); **Hao Xu**, Suzhou (CN)
 (73) Assignee: **HAND HELD PRODUCTS, INC.**, Charlotte, NC (US)

(**) Term: **15 Years**

(21) Appl. No.: **29/658,460**

(22) Filed: **Jul. 31, 2018**

Related U.S. Application Data

(63) Continuation of application No. 29/560,799, filed on Apr. 11, 2016, now Pat. No. Des. 826,234, which is (Continued)

(30) **Foreign Application Priority Data**

Dec. 5, 2013 (CN) 201330600382.8

(51) **LOC (14) Cl.** **14-02**

(52) **U.S. Cl.**
USPC **D14/428**

(58) **Field of Classification Search**

USPC D14/420, 426–430, 453, 346, 341, 347, D14/412, 138; D13/107, 184; 358/473; 235/462.43, 462.45, 462.47, 462.48, 235/462.44, 462.46, 487, 472.01, 472.02, 235/145 A, 145 R; D10/78; 324/426; D3/273; 710/73; D18/7; 361/679, 728, 361/679.56; 382/313, 321; 455/575.1, 455/561, 572; 345/156, 168, 169, 172, 345/173, 87; 705/17, 18, 22–25; D26/45
 CPC G06F 1/626; G06F 1/1626; G06F 1/1656; G06F 1/1632; G06F 1/1684; G06F 1/1635; G06F 8/63; G06F 17/30091; G06F 9/4401; G06K 7/10881; G06K 7/1098; G06K

(Continued)

(56) **References Cited**

U.S. PATENT DOCUMENTS

D362,435 S 9/1995 Charych
 5,475,206 A 12/1995 Reddersen et al.
 (Continued)

OTHER PUBLICATIONS

Non-Final Rejection dated Oct. 6, 2017 for U.S. Appl. No. 29/560,799.

(Continued)

Primary Examiner — Susan Moon Lee

(74) *Attorney, Agent, or Firm* — Alston & Bird LLP

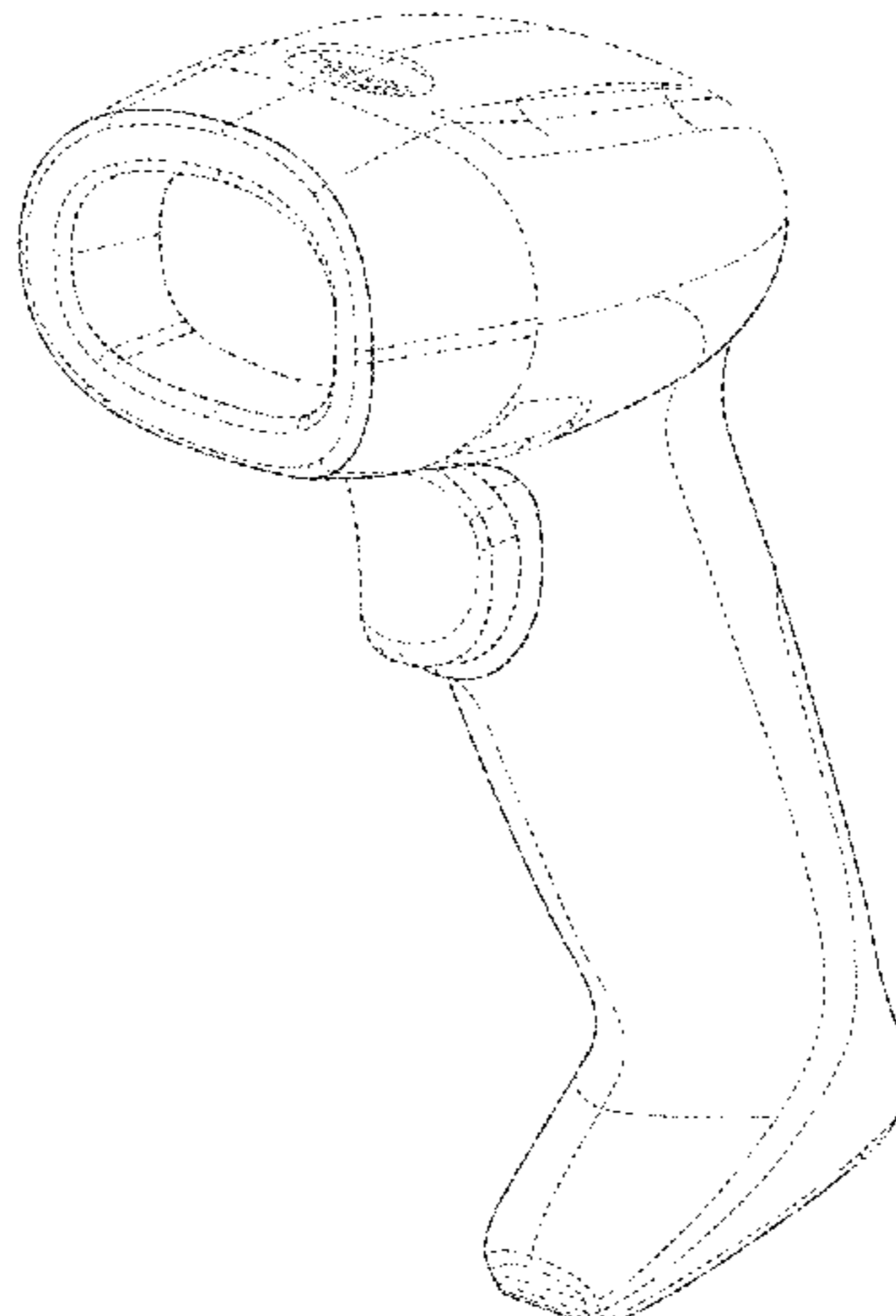
(57) **CLAIM**

We claim the ornamental design for an indicia scanner, as shown and described.

DESCRIPTION

FIG. 1 is a first perspective view of an indicia scanner showing our new design;
 FIG. 2 is a front elevation view thereof;
 FIG. 3 is a rear elevation view thereof;
 FIG. 4 is a left side elevation view thereof;
 FIG. 5 is a right side elevation view thereof;
 FIG. 6 is a top plan view thereof;
 FIG. 7 is a bottom plan view thereof;
 FIG. 8 is second perspective view thereof;
 FIG. 9 is a third perspective view thereof; and,
 FIG. 10 is a fourth perspective view thereof.
 The broken lines are directed to features of the indicia scanner that form no part of the claimed design. Singular broken lines and unshaded portions contained within broken lines are not claimed.

1 Claim, 10 Drawing Sheets



Related U.S. Application Data

a continuation of application No. 29/532,816, filed on Jul. 10, 2015, now Pat. No. Des. 753,660, which is a continuation of application No. 29/492,903, filed on Jun. 4, 2014, now Pat. No. Des. 734,339.

(58) **Field of Classification Search**

CPC 7/10722; G06K 7/1404; G06K 7/0004; G06K 7/10633; G06K 7/10851; G06K 7/1091; G06K 7/1092; G06K 7/1093; G06K 7/089; G06K 7/10821; G06K 7/10; G06K 7/109; G06K 7/1417; G06K 9/228; G06K 17/0022; G06K 17/00; G06K 2207/1011; G06K 2207/1013; G06K 2207/1016; G06K 2207/1018; G06K 2017/0051; G06K 2017/0067; G06K 2007/10524; G07G 1/0081; G07G 1/009; G06Q 20/20; G06Q 20/201; G06Q 20/202; G06Q 20/203; G06Q 20/30; G06Q 20/32; G06Q 20/322; G06Q 20/4014; G06Q 10/087; H04N 1/00127; H04N 1/00135; H04N 1/00326; H04N 1/00334; H04N 1/00307; H04N 1/107; H04N 2201/0084; H04N 2101/00; H04M 1/0249; H04M 1/0262; H04M 1/0266; H04M 1/18; H04M 1/23; H04M 1/236; H04B 1/3827; H04B 1/3833; H04B 1/3877; H04B 1/3883; H04B 1/3888; H04B 2001/3894; H01M 2/1066

See application file for complete search history.

(56) **References Cited**

U.S. PATENT DOCUMENTS

5,850,078 A 12/1998 Giordano et al.
 D414,171 S 9/1999 Swift
 6,000,619 A 12/1999 Reddersen et al.
 D418,500 S 1/2000 Giordano
 D446,524 S 8/2001 Bontly et al.
 6,321,990 B1 11/2001 Giordano et al.
 6,352,204 B2 3/2002 Hattersley et al.
 D456,810 S 5/2002 Schlieffers
 D459,728 S 7/2002 Roberts et al.
 6,442,180 B1 8/2002 Gurrieri et al.
 D470,145 S 2/2003 Schlieffers et al.
 6,517,003 B2 2/2003 Vassura et al.
 D518,057 S 3/2006 Johnson et al.
 7,059,528 B2 6/2006 Barkan et al.
 D538,285 S 3/2007 MacGregor et al.
 D541,283 S 4/2007 MacGregor et al.
 D556,761 S 12/2007 MacGregor et al.
 D562,825 S 2/2008 Fitch et al.
 D570,843 S 6/2008 Mazzone et al.
 D574,832 S 8/2008 MacGregor et al.
 7,461,790 B2 12/2008 McQueen et al.
 D588,596 S 3/2009 Mazzone et al.
 7,527,515 B1 5/2009 Olson et al.
 D603,408 S 11/2009 Fitch
 D606,544 S 12/2009 Di et al.
 D614,625 S 4/2010 Fitch et al.
 7,823,789 B2* 11/2010 Nunnink G06K 7/10732
 235/472.01
 8,028,913 B2 10/2011 Liu et al.
 8,186,597 B1 5/2012 Fletcher
 8,296,754 B2 10/2012 Fitch
 8,376,233 B2 2/2013 Horn et al.
 D677,258 S 3/2013 Mistkawi
 8,390,909 B2 3/2013 Plesko
 8,421,604 B2 4/2013 Bellows et al.
 8,424,768 B2 4/2013 Rueblinger et al.
 D682,277 S 5/2013 Tasselli et al.
 D683,764 S 6/2013 Ridl et al.

8,469,275 B2 6/2013 Dahari
 D687,856 S 8/2013 Haug
 D692,004 S 10/2013 Man
 D692,892 S 11/2013 Mistkawi
 8,657,199 B2 2/2014 Barkan et al.
 D702,238 S 4/2014 Alegiani et al.
 8,833,660 B1 9/2014 Slutsky et al.
 8,870,074 B1 10/2014 Gannon
 8,910,872 B2 12/2014 Barkan et al.
 D723,563 S 3/2015 Monica
 D726,186 S 4/2015 Jenkins et al.
 D730,357 S 5/2015 Fitch et al.
 9,053,378 B1 6/2015 Hou et al.
 D734,339 S 7/2015 Zhou et al.
 9,185,306 B1 11/2015 Tan et al.
 9,262,633 B1* 2/2016 Todeschini G06F 21/83
 D753,660 S 4/2016 Zhou et al.
 D791,137 S 7/2017 Wang et al.
 9,798,911 B1 10/2017 Handshaw et al.
 9,800,749 B1 10/2017 Tan et al.
 9,811,705 B1* 11/2017 Suman G06K 7/10732
 9,825,476 B2 11/2017 Mazzone
 9,911,295 B2 3/2018 Xie et al.
 9,940,497 B2 4/2018 Bourrel et al.
 D822,027 S* 7/2018 Jenkins D14/428
 D826,234 S* 8/2018 Zhou D14/428
 10,140,491 B1* 11/2018 Barkan G06K 7/10881
 10,157,302 B2* 12/2018 Tanabe G06K 7/10762
 D849,747 S* 5/2019 Volta D14/428
 D857,018 S* 8/2019 Wang D14/428
 11,437,831 B2* 9/2022 Di Bari H02J 7/0044
 11,489,352 B2* 11/2022 Allen H02J 7/0044
 2001/0045466 A1 11/2001 Bontly
 2002/0056755 A1 5/2002 Canini et al.
 2002/0096566 A1 7/2002 Schwartz et al.
 2002/0125323 A1 9/2002 Marrs et al.
 2002/0148902 A1 10/2002 Schlieffers
 2004/0094627 A1 5/2004 Parker et al.
 2004/0134990 A1 7/2004 Fitch et al.
 2005/0023358 A1 2/2005 Byun et al.
 2005/0265035 A1 12/2005 Brass et al.
 2006/0027657 A1 2/2006 Ninnink
 2006/0032921 A1 2/2006 Gerst et al.
 2006/0131419 A1 6/2006 Nunnink
 2007/0057067 A1 3/2007 He
 2007/0090193 A1 4/2007 Nunnink et al.
 2007/0091332 A1 4/2007 Nunnink
 2007/0119939 A1 5/2007 Epshteyn et al.
 2007/0176003 A1 8/2007 Brock
 2007/0199996 A1 8/2007 He et al.
 2007/0272756 A1 11/2007 Brock et al.
 2008/0156880 A1 7/2008 Vinogradov
 2008/0179402 A1 7/2008 Barkan et al.
 2008/0191022 A1 8/2008 Barkan et al.
 2008/0265035 A1 10/2008 Vinogradov et al.
 2008/0290169 A1 11/2008 Gurevich et al.
 2009/0050701 A1 2/2009 Wang et al.
 2009/0078773 A1 3/2009 Carlson et al.
 2009/0078774 A1 3/2009 He
 2009/0084847 A1 4/2009 He et al.
 2009/0084849 A1 4/2009 He et al.
 2009/0140052 A1 6/2009 Liu et al.
 2009/0218403 A1 9/2009 Joseph et al.
 2009/0218405 A1 9/2009 Joseph et al.
 2009/0272807 A1 11/2009 Igor
 2010/0219249 A1 9/2010 Barkan et al.
 2010/0308116 A1 12/2010 Sani et al.
 2011/0069877 A1 3/2011 Vincenzi
 2011/0073658 A1 3/2011 Vassura et al.
 2011/0096512 A1 4/2011 Klicpera et al.
 2011/0103004 A1 5/2011 Brock
 2011/0121077 A1 5/2011 Joseph et al.
 2011/0127334 A1 6/2011 Shi et al.
 2011/0127335 A1 6/2011 He et al.
 2011/0132984 A1 6/2011 Fletcher
 2011/0290886 A1 12/2011 Carlson
 2011/0290889 A1 12/2011 Tamburrini et al.
 2011/0297853 A1 12/2011 Liu et al.
 2012/0029994 A1 2/2012 Barkan et al.

(56)

References Cited

U.S. PATENT DOCUMENTS

2012/0048940 A1 3/2012 Chaumont et al.
 2012/0049049 A1 3/2012 Vinogradov et al.
 2012/0097744 A1 4/2012 Drzymala et al.
 2012/0106352 A1 5/2012 Peruzzi et al.
 2012/0111946 A1 5/2012 Golant
 2012/0228382 A1 9/2012 Havens et al.
 2012/0287332 A1 11/2012 Fjellstad et al.
 2012/0319645 A1 12/2012 O'Donnell et al.
 2013/0001290 A1 1/2013 Trajkovic et al.
 2013/0029247 A1 1/2013 Takami et al.
 2013/0043312 A1 2/2013 Van Horn
 2013/0070322 A1 3/2013 Fritz et al.
 2013/0200158 A1 8/2013 Feng et al.
 2013/0214048 A1 8/2013 Wilz, Sr.
 2013/0292474 A1 11/2013 Xian et al.
 2013/0292478 A1 11/2013 Wang et al.
 2013/0306730 A1 11/2013 Brady et al.
 2013/0306734 A1 11/2013 Xian et al.
 2013/0313325 A1 11/2013 Wilz et al.
 2013/0327834 A1 12/2013 Hennick et al.
 2014/0048684 A1 2/2014 Barkan et al.
 2014/0059414 A1 2/2014 He et al.
 2014/0089121 A1 3/2014 Kaminsky et al.
 2014/0091147 A1 4/2014 Evans et al.
 2014/0117092 A1 5/2014 Vinogradov et al.
 2014/0144978 A1 5/2014 Sun et al.
 2014/0246496 A1 9/2014 Brock
 2014/0361082 A1 12/2014 Xian et al.
 2015/0034724 A1 2/2015 He

2015/0102109 A1 4/2015 Huck
 2015/0193645 A1 7/2015 Colavito et al.
 2015/0379838 A1 12/2015 Xie et al.
 2016/0094070 A1* 3/2016 Mazzone H02J 7/0044
 320/115
 2016/0104019 A1* 4/2016 Todeschini G06K 7/1426
 235/472.01
 2016/0163142 A1* 6/2016 Auger G07D 7/2033
 235/494
 2017/0076125 A1* 3/2017 Ackley G06K 7/10831
 2017/0140191 A1 5/2017 Tanabe
 2017/0270329 A1 9/2017 Handshaw et al.
 2017/0289421 A1* 10/2017 Tan H04N 5/2352
 2017/0330008 A1 11/2017 Suman
 2020/0104557 A1* 4/2020 Lionello G06K 7/10881
 2020/0202089 A1* 6/2020 Suman G06K 7/10831

OTHER PUBLICATIONS

Notice of Allowance and Fees Due (PTOL-85) dated Apr. 20, 2018 for U.S. Appl. No. 29/560,799.
 Notice of Allowance and Fees Due (PTOL-85) dated Mar. 10, 2015 for U.S. Appl. No. 29/492,903.
 Notice of Allowance and Fees Due (PTOL-85) dated May 15, 2015 for U.S. Appl. No. 29/492,903.
 Notice of Allowance and Fees Due (PTOL-85) dated Nov. 18, 2015 for U.S. Appl. No. 29/532,816.
 Requirement for Restriction/Election dated Jan. 23, 2015 for U.S. Appl. No. 29/492,903.

* cited by examiner

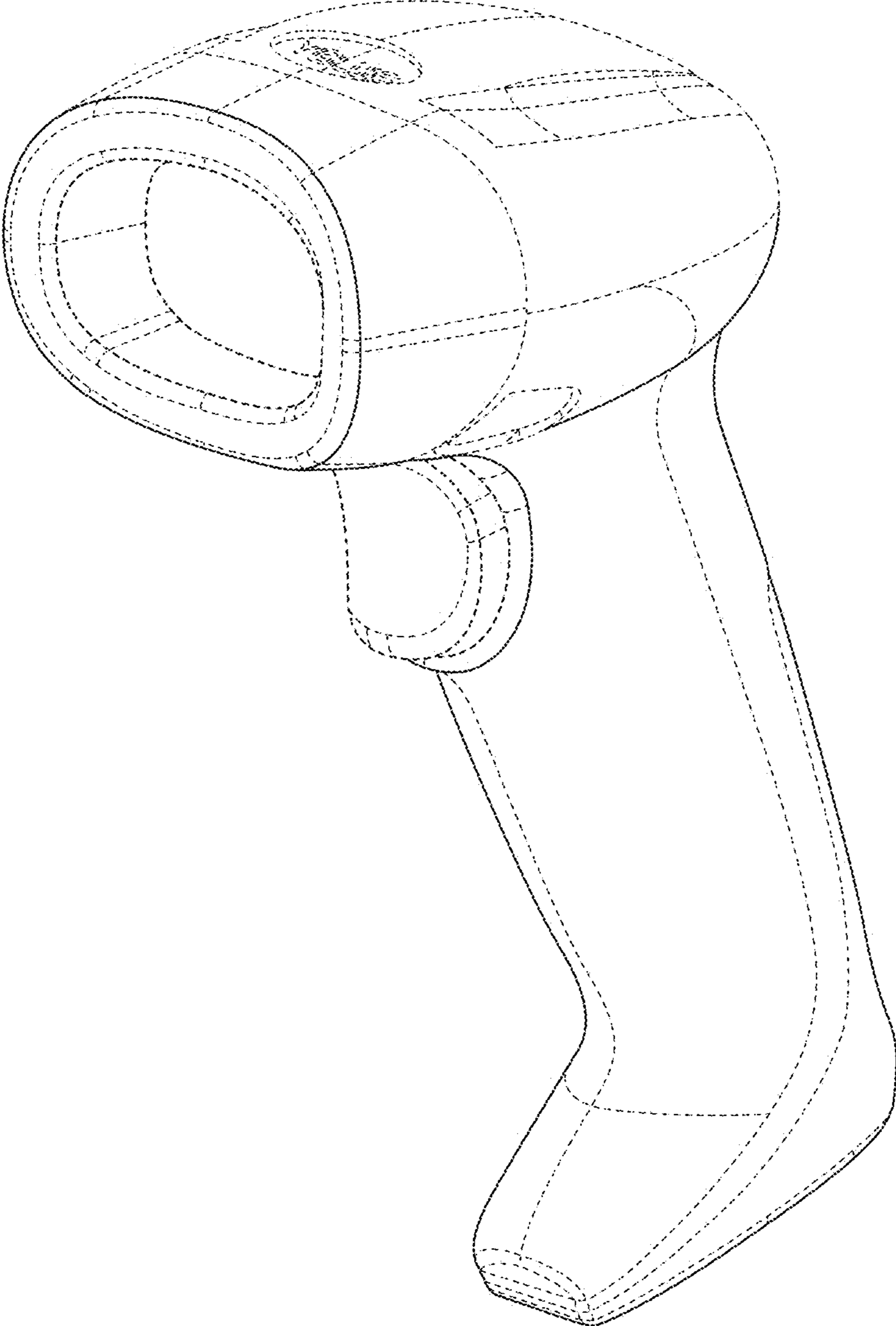


FIG. 1

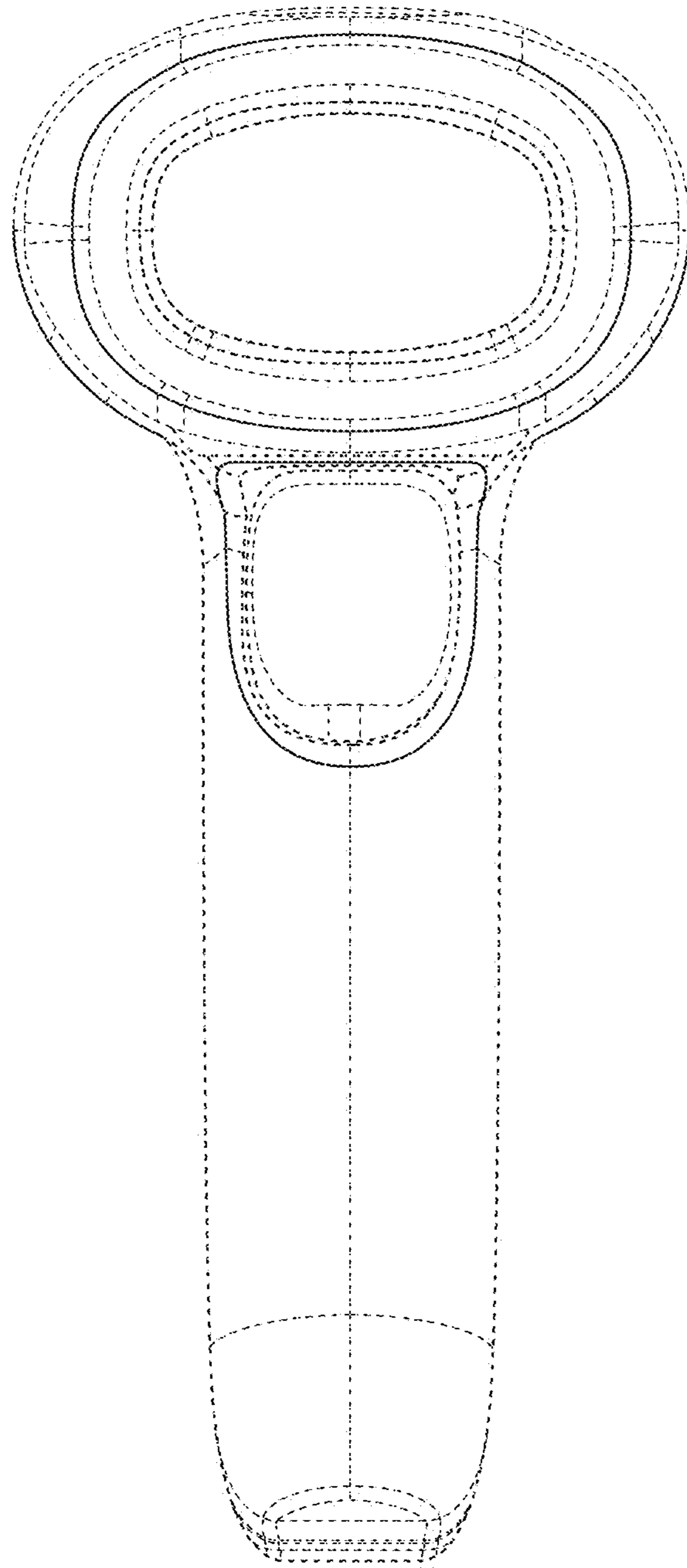


FIG. 2

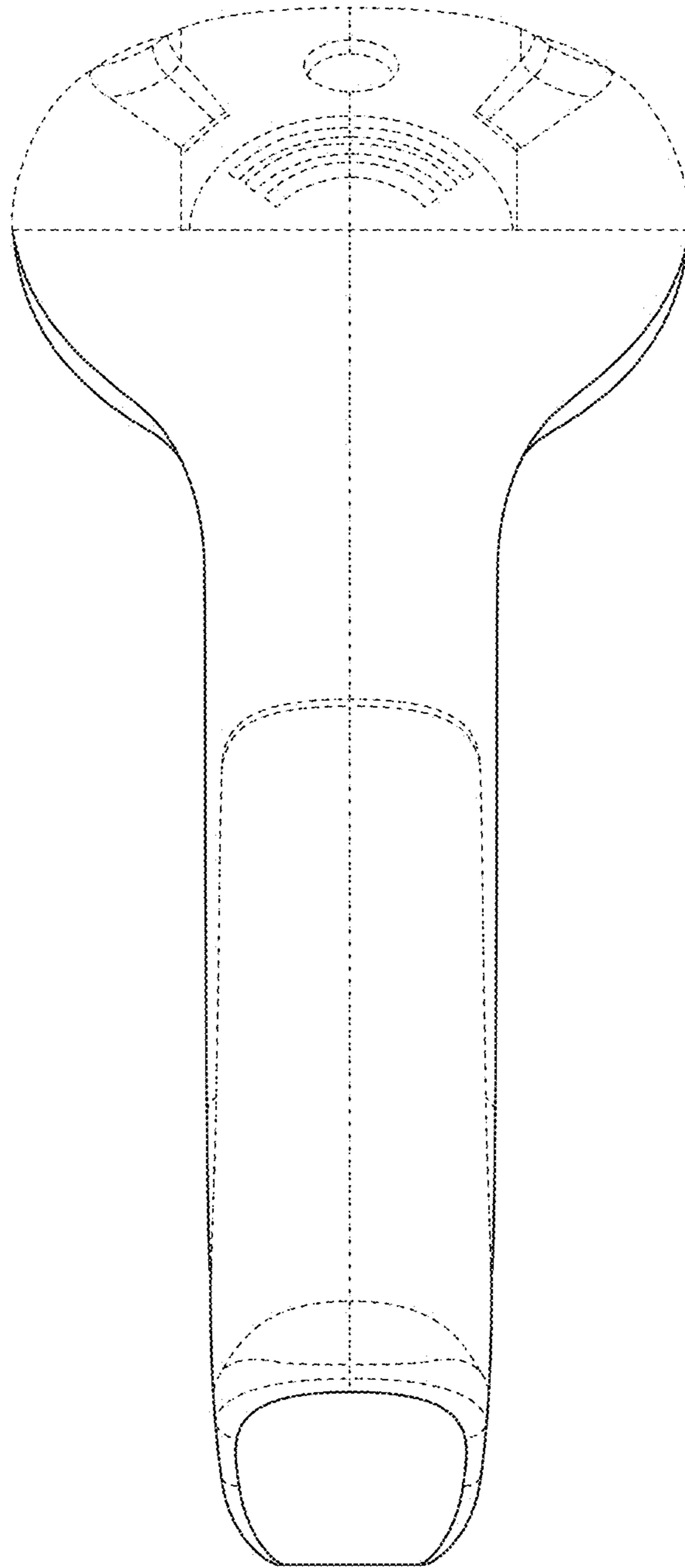


FIG. 3

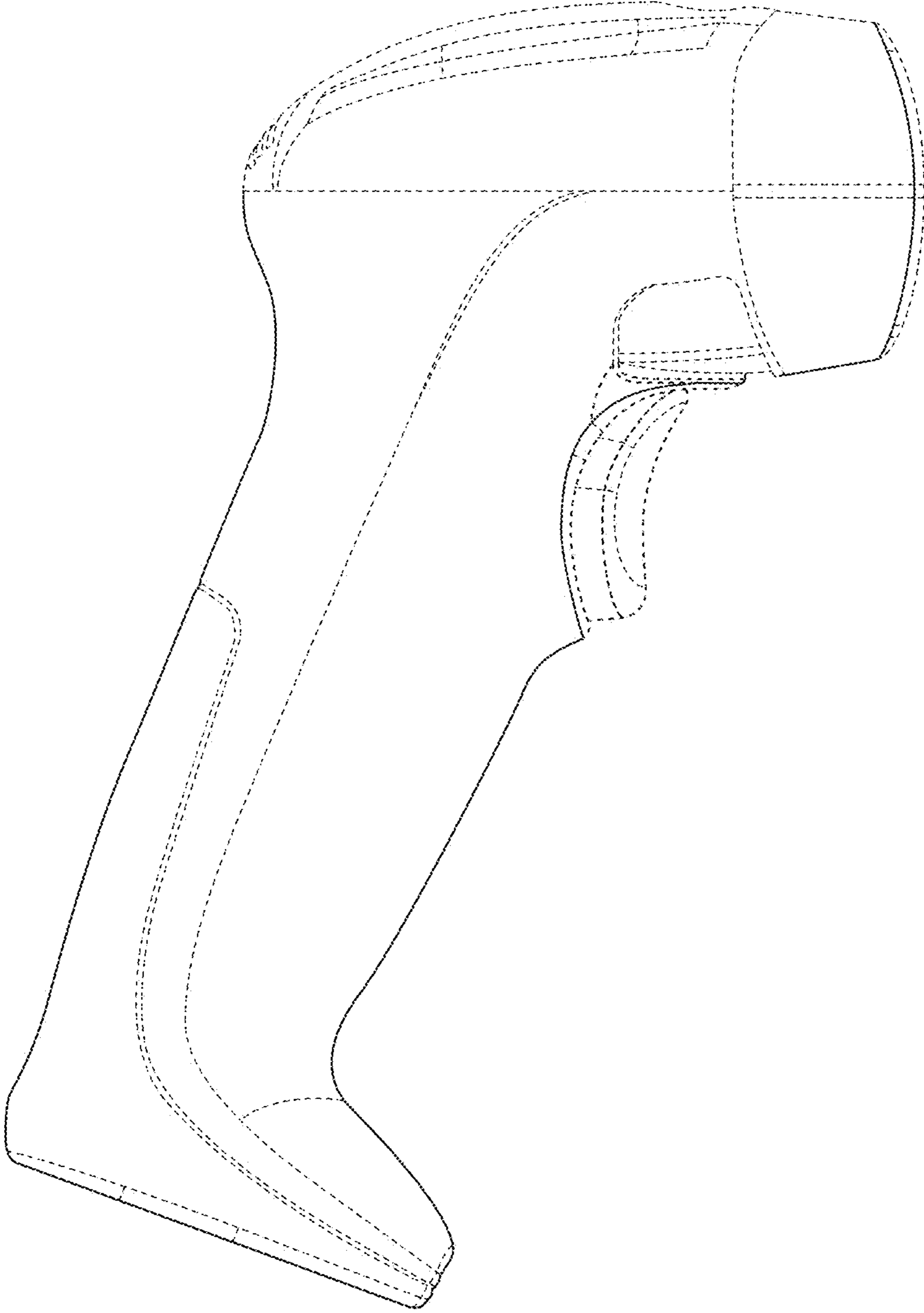


FIG. 4

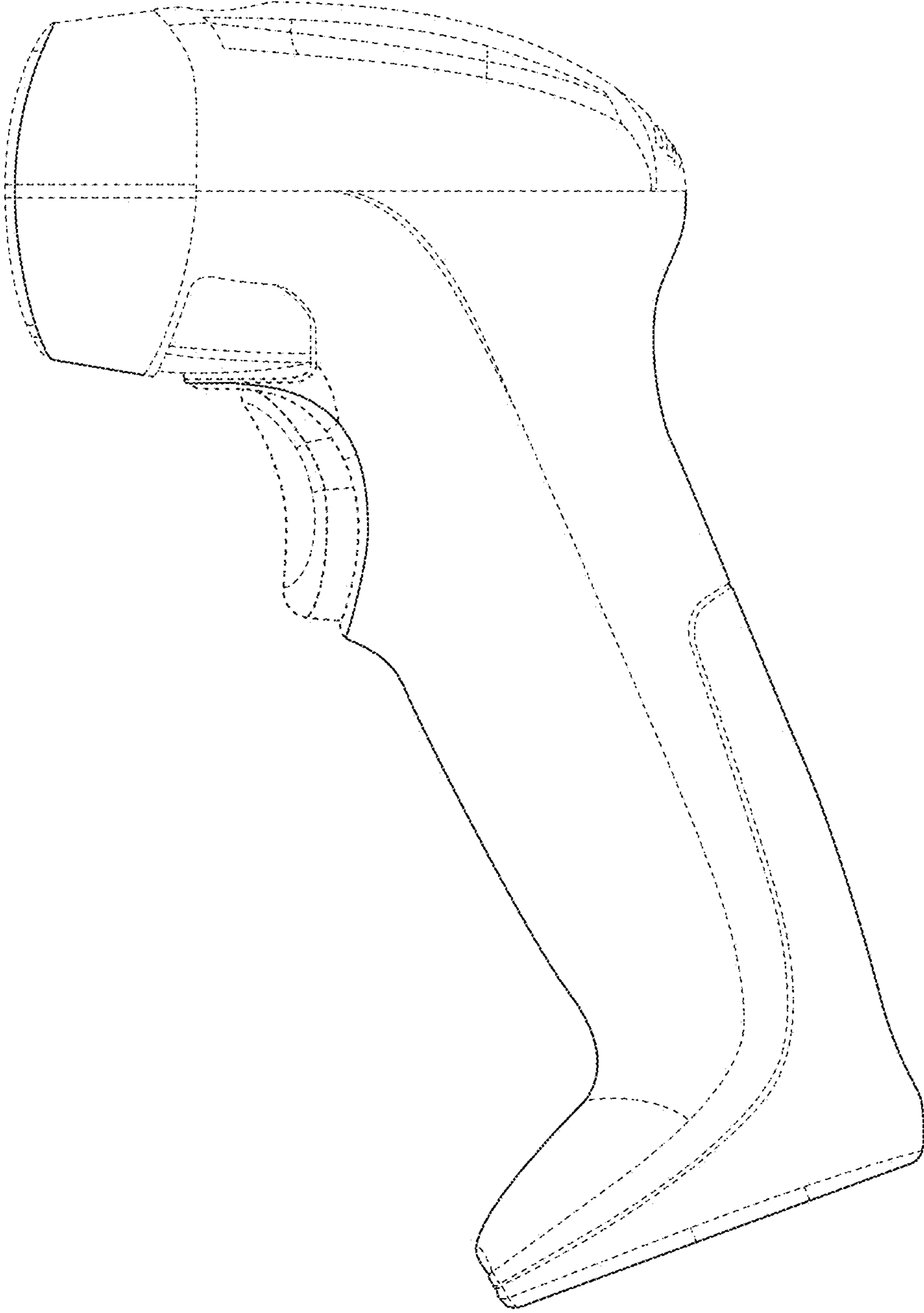


FIG. 5

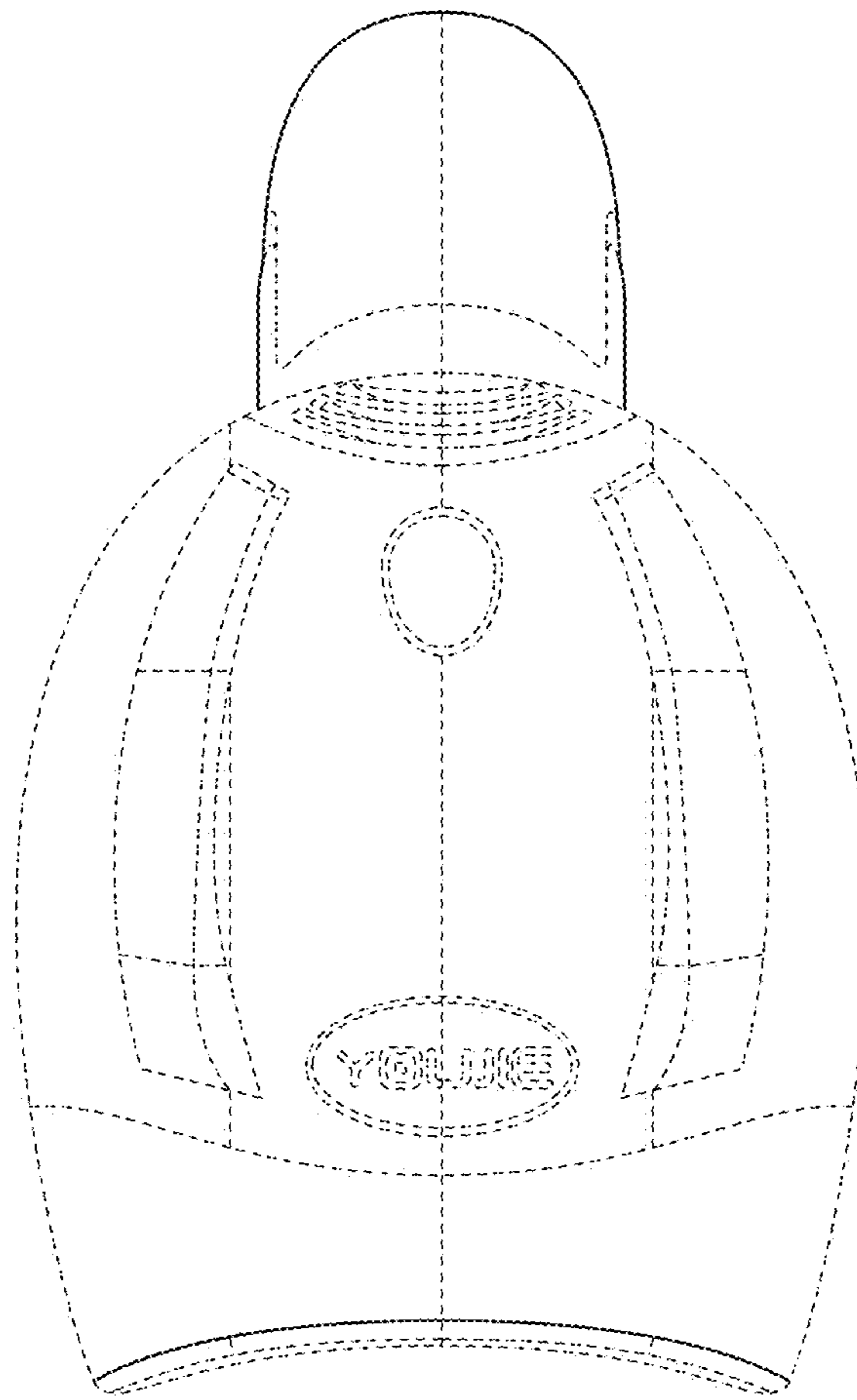


FIG. 6

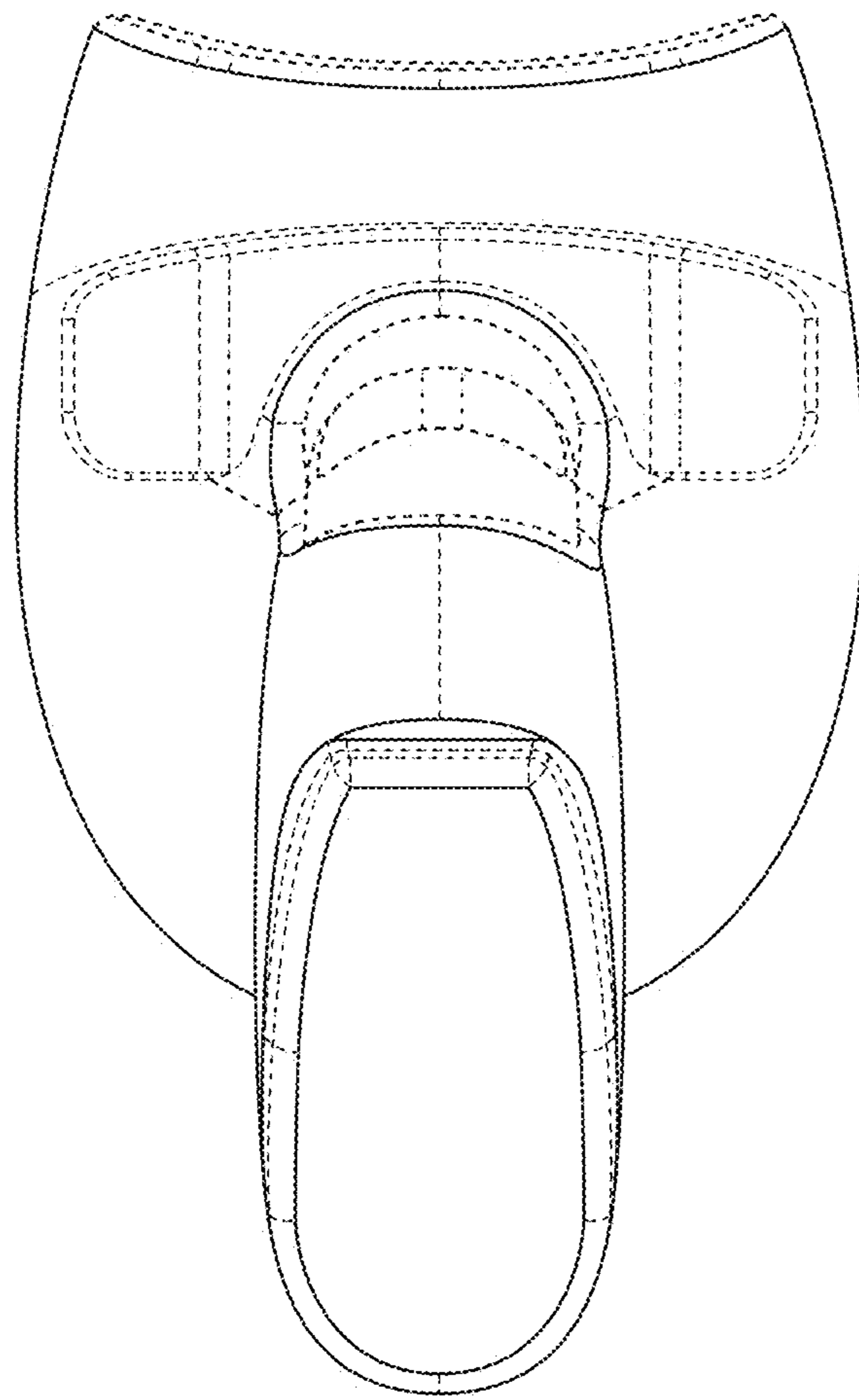


FIG. 7

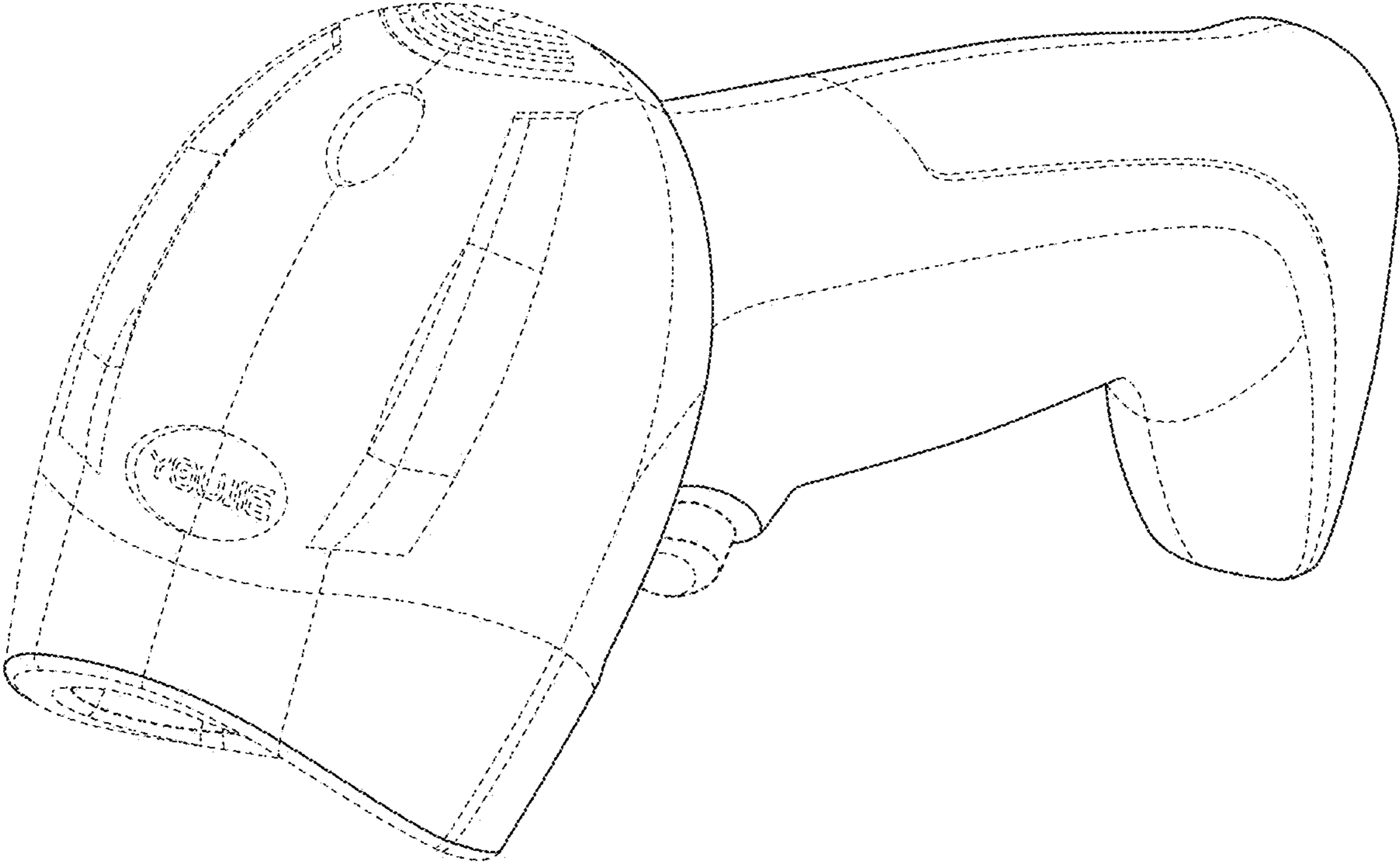


FIG. 8

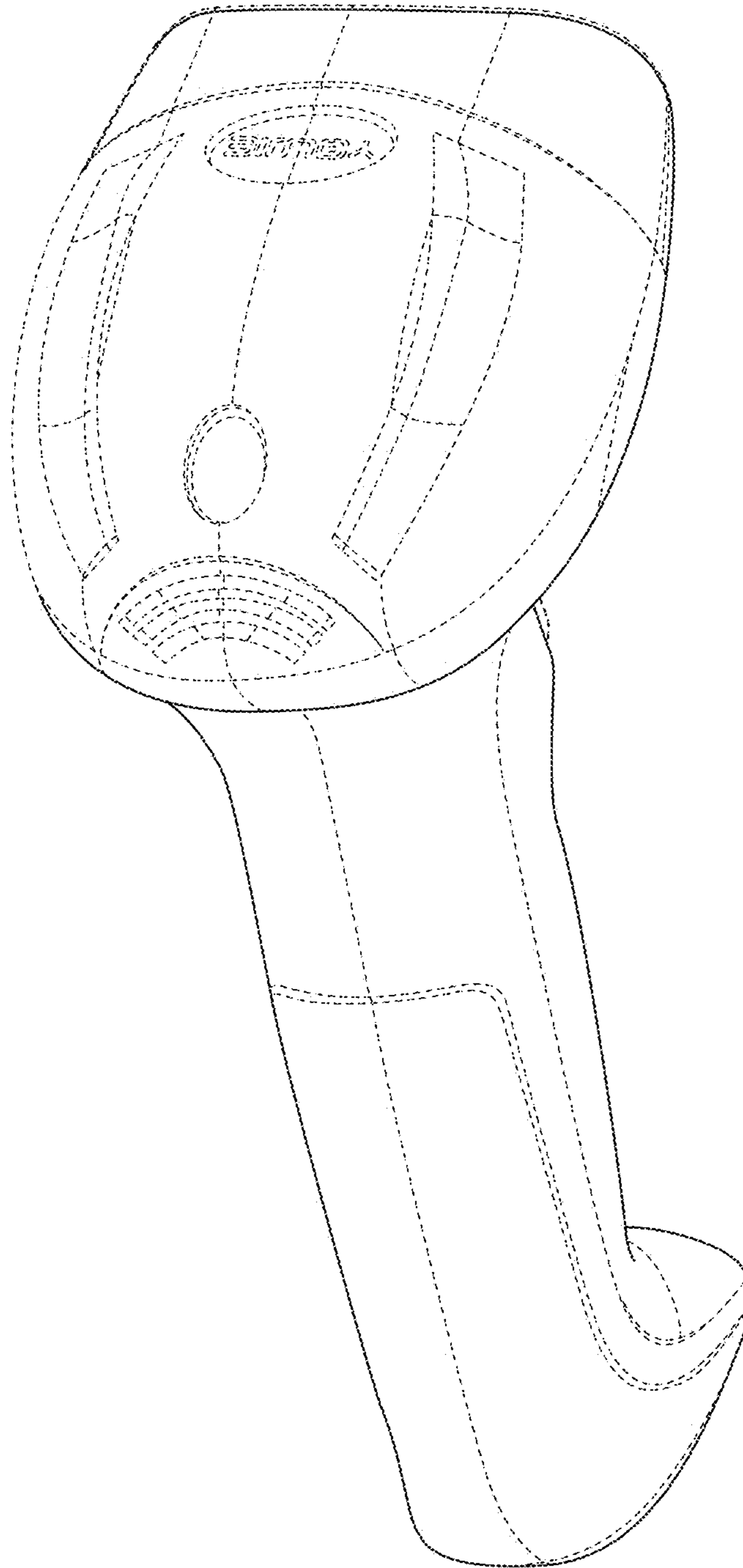


FIG. 9

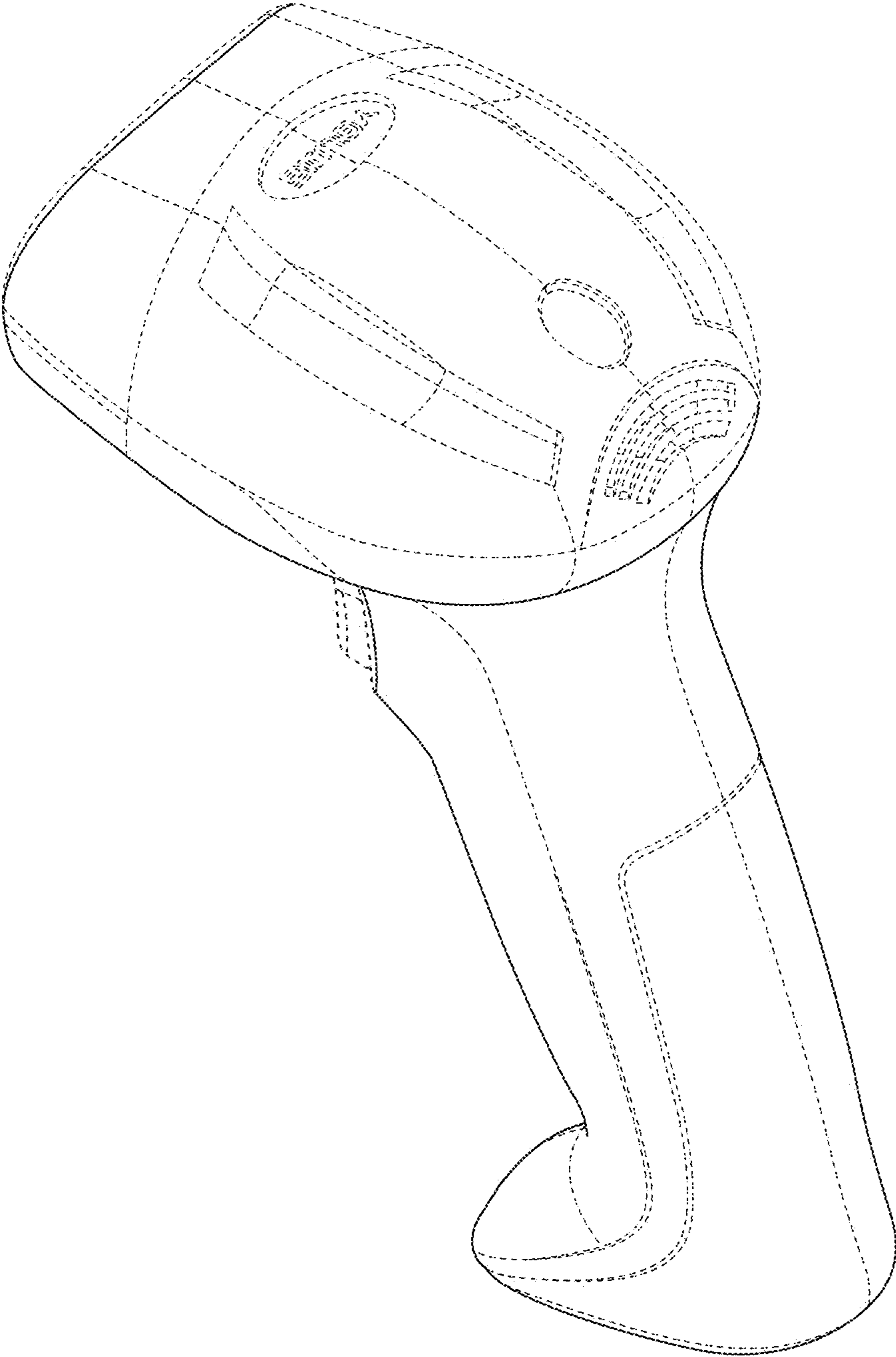


FIG. 10