



US00D982581S

(12) **United States Design Patent**  
**Mu**

(10) **Patent No.:** **US D982,581 S**

(45) **Date of Patent:** **\*\* Apr. 4, 2023**

(54) **SMART WATCH**

(71) Applicant: **Suli Mu**, Guangdong (CN)

(72) Inventor: **Suli Mu**, Guangdong (CN)

(73) Assignee: **Suli Mu**, Guangdong (CN)

(\*\*) Term: **15 Years**

(21) Appl. No.: **29/858,774**

(22) Filed: **Nov. 3, 2022**

(51) **LOC (14) Cl.** ..... **14-02**

(52) **U.S. Cl.**  
USPC ..... **D14/344**

(58) **Field of Classification Search**  
USPC .... D14/138 R, 344; D10/30, 31, 32, 38, 70;  
D11/3; D24/167  
CPC ..... G04G 17/00; G04G 17/045; G04G 17/08;  
G04G 17/083; G04G 21/00; G04G 21/02;  
G04G 21/025; G04G 21/06; G04G 21/08;  
G04G 99/006; G06F 1/163

See application file for complete search history.

(56) **References Cited**

U.S. PATENT DOCUMENTS

D828,832 S	*	9/2018	Wang	.....	D14/344
D836,466 S	*	12/2018	Shi	.....	D14/344
D918,059 S	*	5/2021	Wang	.....	D14/344
D927,325 S	*	8/2021	Droze	.....	D10/32
D951,245 S	*	5/2022	Chung	.....	D14/344
D953,891 S	*	6/2022	Byler	.....	D14/344
D956,236 S	*	6/2022	Chao	.....	D10/38
D956,742 S	*	7/2022	Choi	.....	D14/344
D960,153 S	*	8/2022	Wu	.....	D14/344
D961,583 S	*	8/2022	Chung	.....	D14/344
D961,585 S	*	8/2022	He	.....	D14/344
D962,931 S	*	9/2022	He	.....	D14/344

OTHER PUBLICATIONS

Smart Watch for Women, AGPTEK Smartwatch for Android and iOS Phones, www.amazon.com, Sep. 8, 2020. <https://www.amazon.com/dp/B08HMRY8NG> (Year: 2020).\*  
Zepp E Circle review: All the beauty but missing some brains, www.androidauthority.com, Oct. 10, 2020. <https://www.androidauthority.com/zepp-e-circle-review-1165356/> (Year: 2020).\*

\* cited by examiner

*Primary Examiner* — Llorellys Martinez

*Assistant Examiner* — Kwabena A. Ankobiah

(74) *Attorney, Agent, or Firm* — Nitin Kaushik

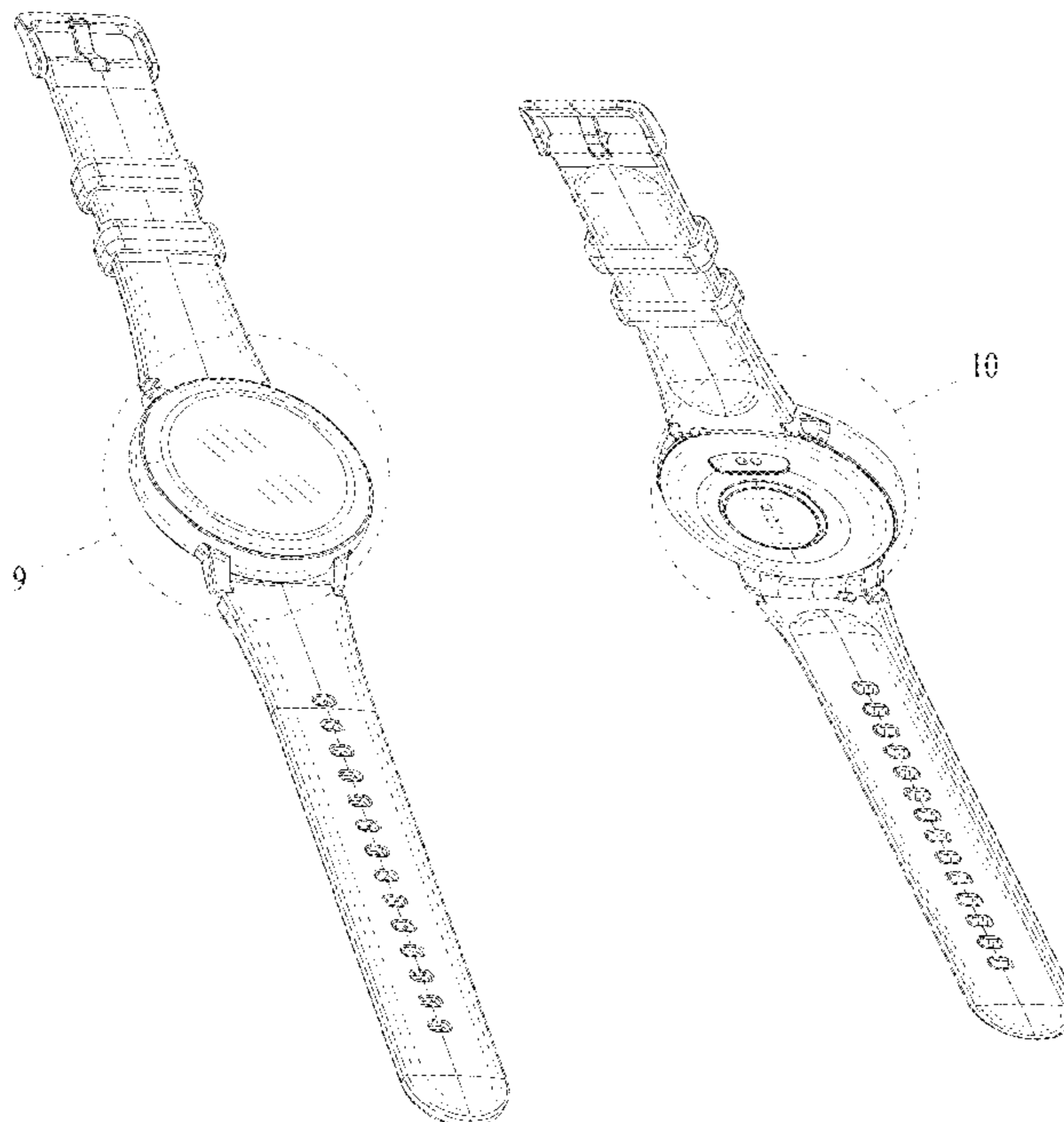
(57) **CLAIM**

The ornamental design for a smart watch, as shown and described.

**DESCRIPTION**

FIG. 1 is a front, left perspective view of the smart watch; FIG. 2 is a rear, left perspective view thereof; FIG. 3 is a front view thereof; FIG. 4 is a rear view thereof; FIG. 5 is a left view thereof; FIG. 6 is a right view thereof; FIG. 7 is a top view thereof; FIG. 8 is a bottom view thereof; FIG. 9 is a partially enlarged view of portion 9 in FIG. 1; FIG. 10 is a partially enlarged view of portion 10 in FIG. 2; and, FIG. 11 is a partially enlarged view of portion 11 in FIG. 4. The dash-dot-dash broken lines in FIGS. 1, 2, 4, 9, 10, and 11 are included to show an enlarged view only and form no part of the claimed design. The broken lines shown on the drawings depict portions of the smart watch that form no part of the claimed design.

**1 Claim, 9 Drawing Sheets**



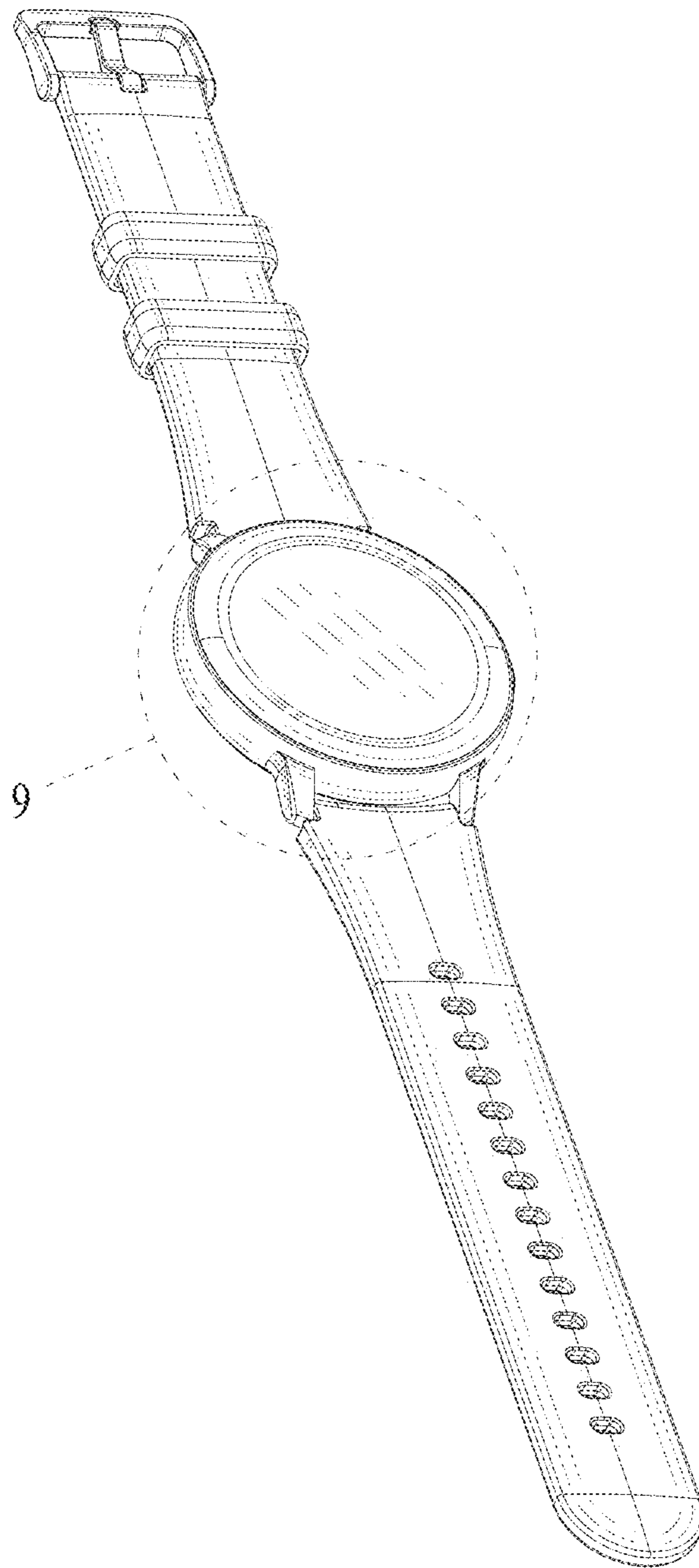


FIG. 1

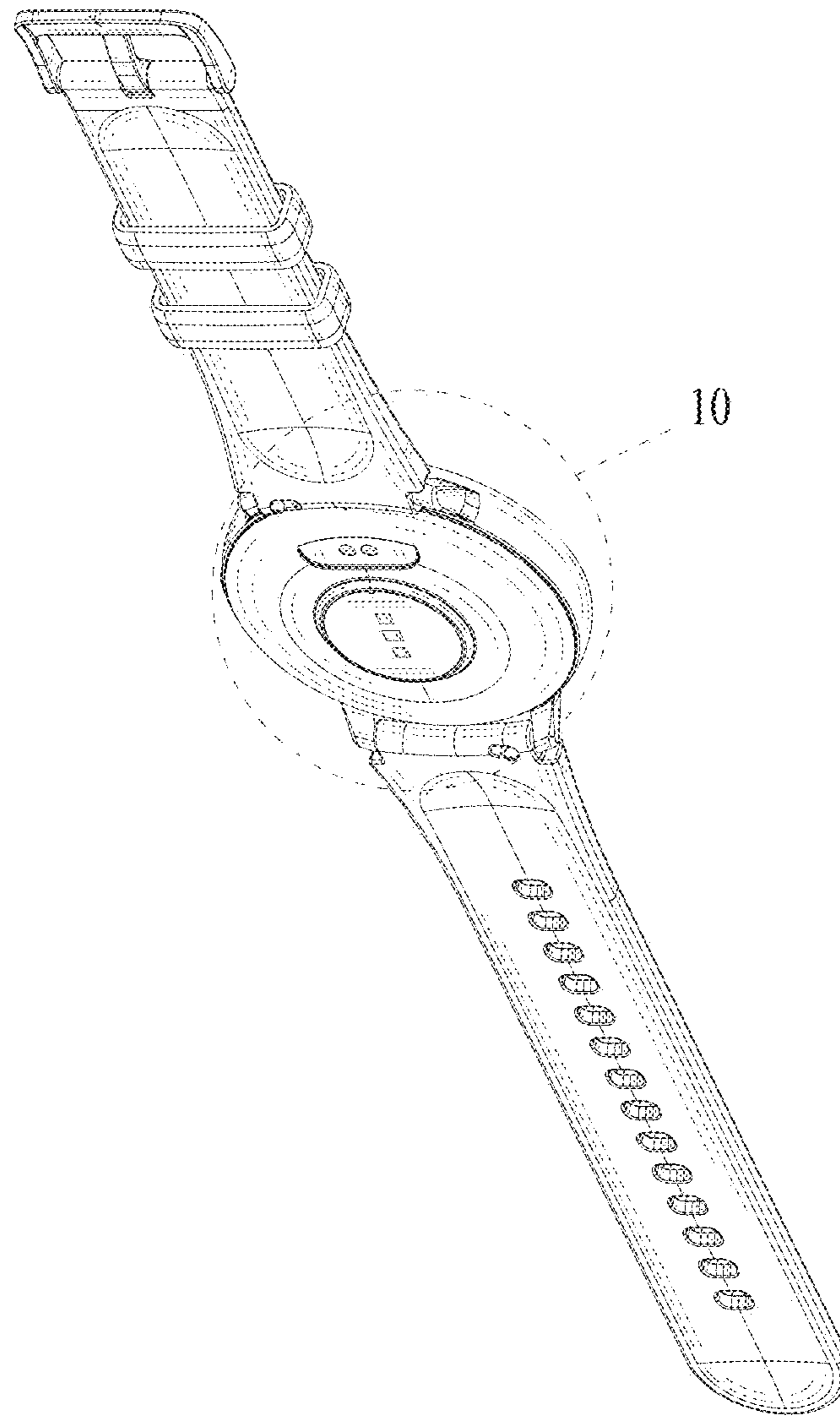


FIG. 2

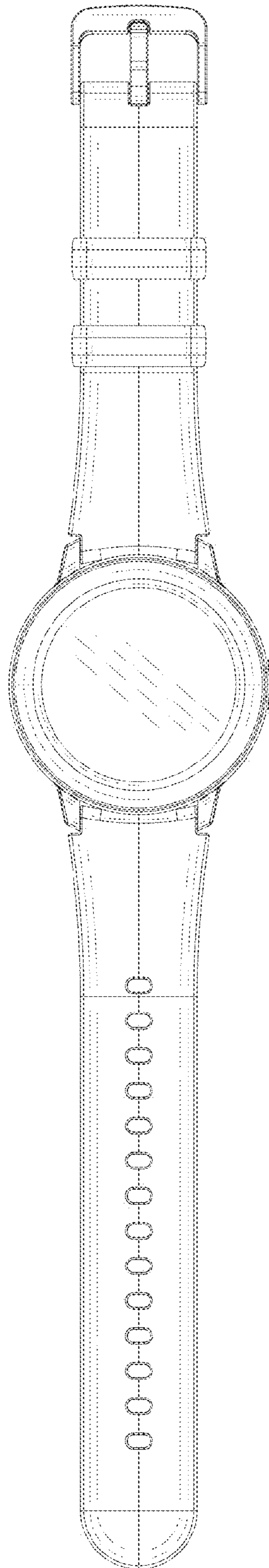


FIG. 3

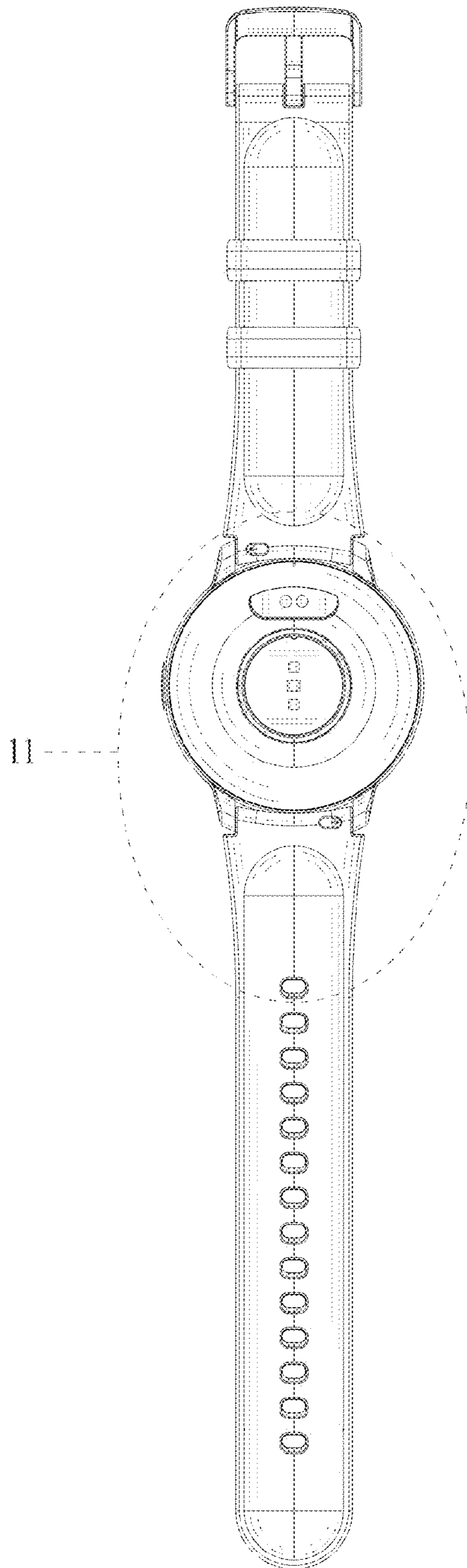


FIG. 4

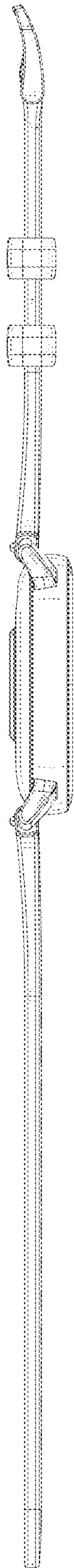


FIG. 5

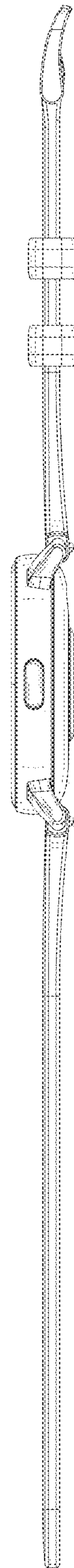


FIG. 6

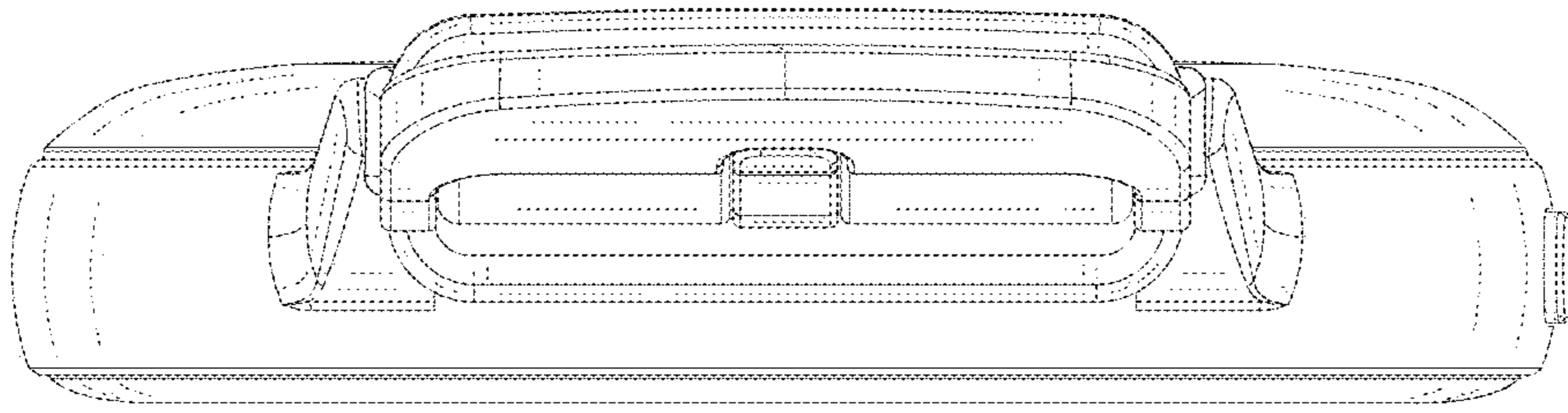


FIG. 7

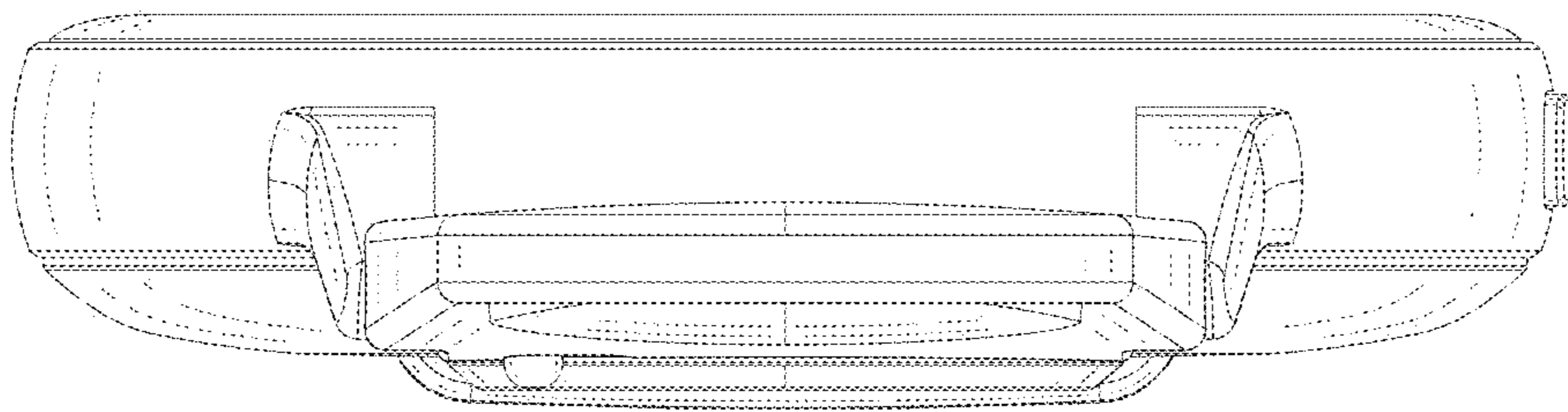


FIG. 8

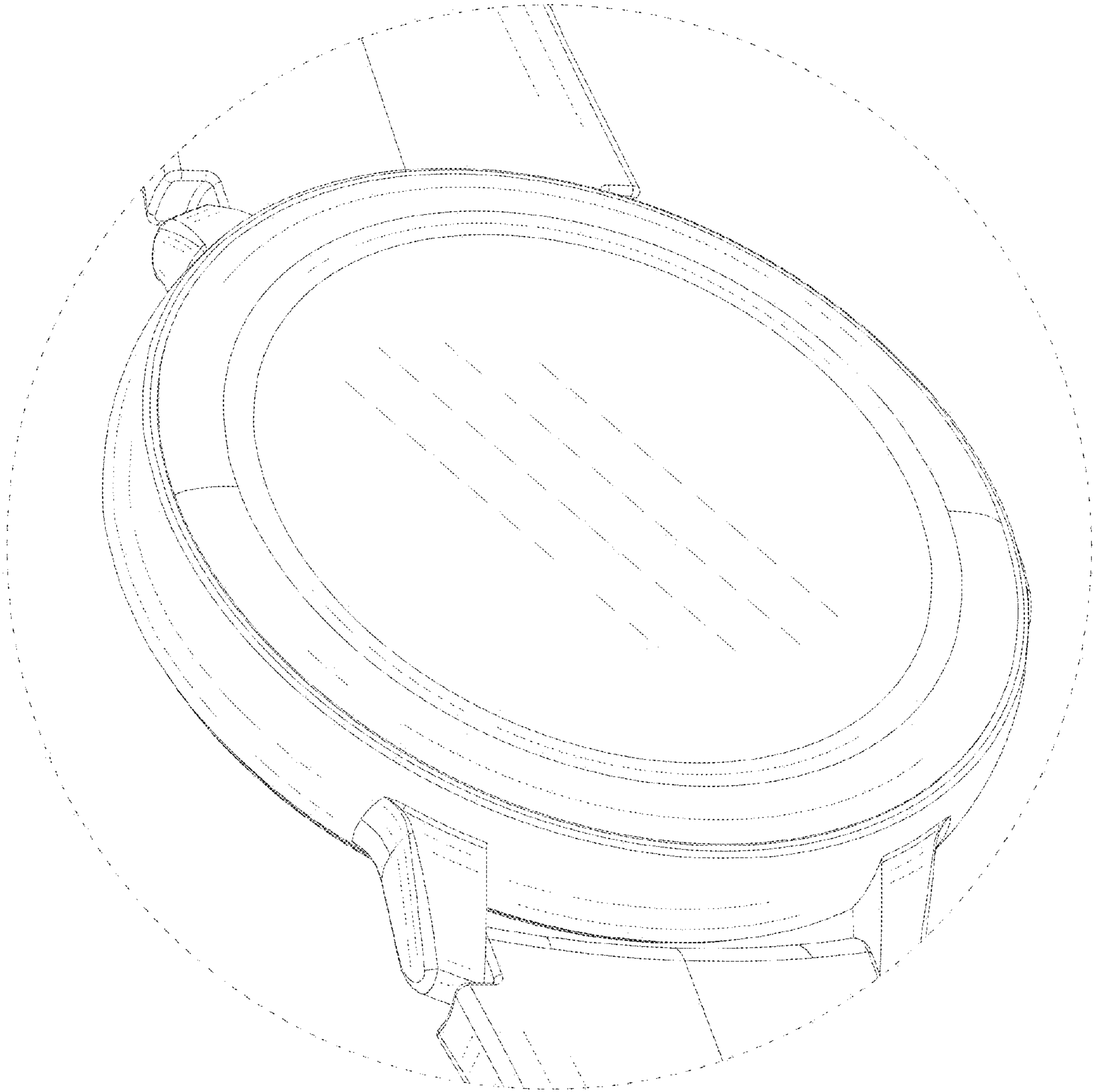


FIG. 9



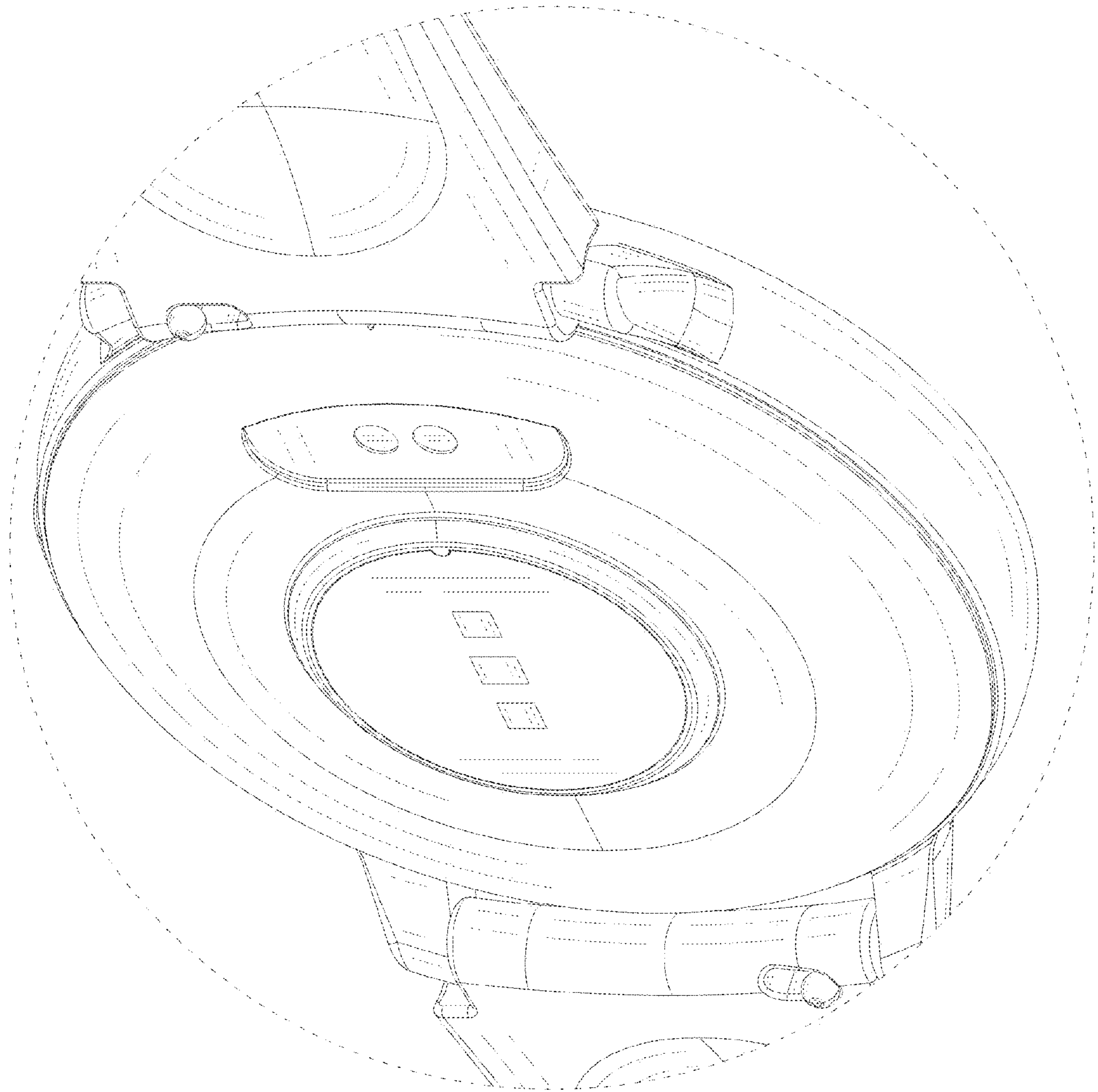


FIG. 10

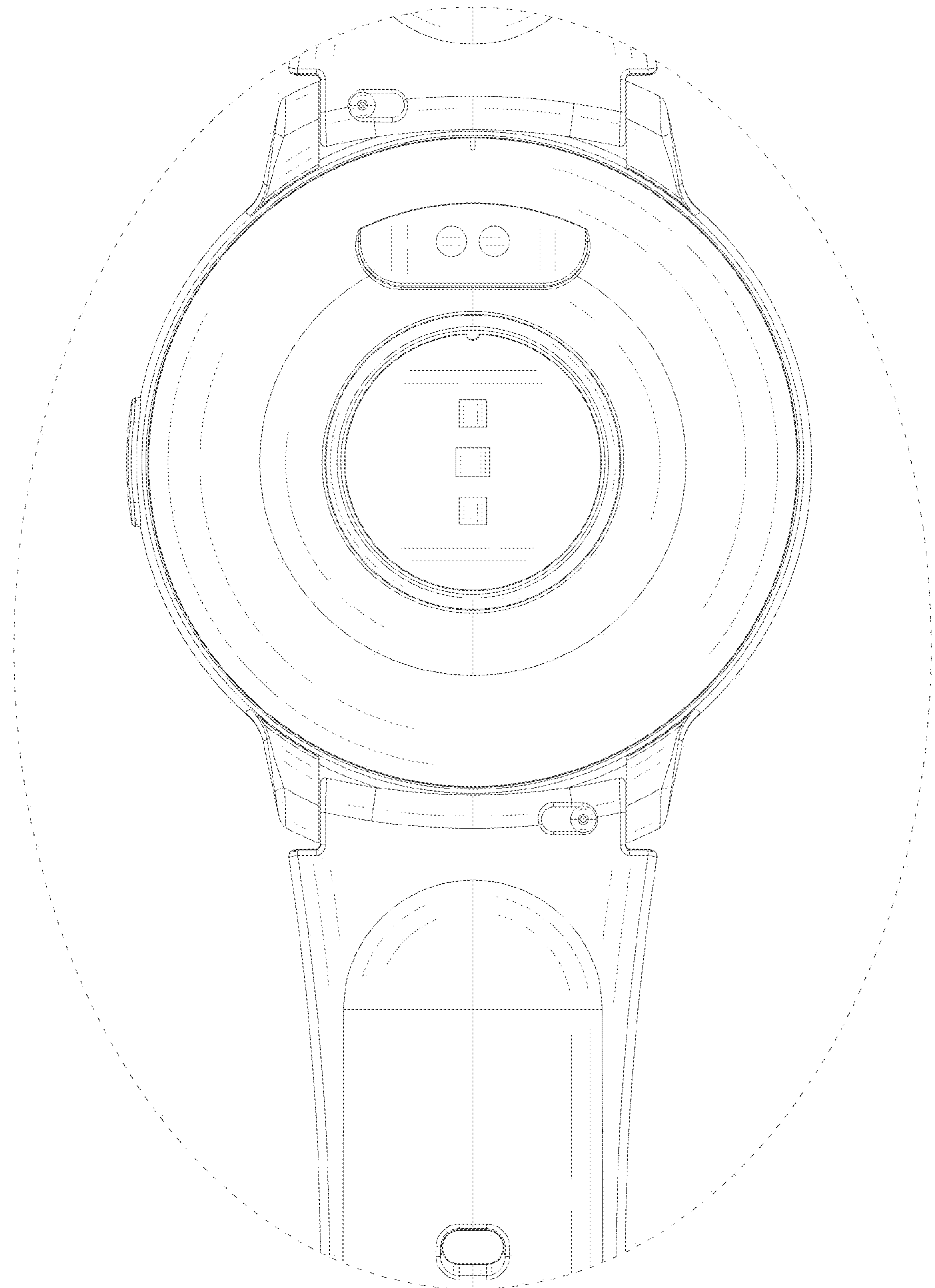


FIG. 11