



(12) **United States Design Patent**
Robillard et al.

(10) **Patent No.:** **US D982,580 S**
(45) **Date of Patent:** **** Apr. 4, 2023**

(54) **WATCH WITH DISPLAY**

(71) Applicant: **Garmin Switzerland GmbH**,
Schaffhausen (CH)

(72) Inventors: **Graham F. Robillard**, Overland Park,
KS (US); **Dustin L. Kelsey**, Bonner
Springs, KS (US); **Todd P. Register**,
Olathe, KS (US)

(73) Assignee: **Garmin Switzerland GmbH**

(**) Term: **15 Years**

(21) Appl. No.: **29/767,489**

(22) Filed: **Jan. 22, 2021**

(51) **LOC (14) Cl.** **14-02**

(52) **U.S. Cl.**
USPC **D14/344**

(58) **Field of Classification Search**
USPC D5/56, 59-60, 99; D10/30-39, 70, 98,
D10/1-2, 5, 10, 14-15, 21, 30-41;
D11/3, 4, 5, 8, 26, 93-94, 78.1, 79, 86,
D11/99; D14/138 R, 144, 341, 344, 358,
D14/388, 218; D24/167, 186-190, 164,
D24/169

CPC A41D 1/002; A41D 19/0034; G04G 17/00;
G04G 17/02; G04G 17/08; G04G 17/083;
G04G 17/086; G04G 17/005; G04G
13/028; G04G 11/00; G04G 9/00; G04C
3/00; G04C 3/001; G04C 3/002; G04C
3/004; G04C 3/005; G04C 3/007; G04C
23/02; G04C 23/04; G04C 17/00; G04B
3/04; G04B 19/24; G04B 19/26; G04B
37/00; G04B 45/0069; G04B 47/04;
G04B 37/0008; G04B 27/0058; G04B
37/12;

(Continued)

(56) **References Cited**

U.S. PATENT DOCUMENTS

D399,758 S * 10/1998 Mendoza D10/30
D402,565 S * 12/1998 Sato D10/30

(Continued)

FOREIGN PATENT DOCUMENTS

GB 6207385 * 5/2022
GB 6211596 * 6/2022

(Continued)

OTHER PUBLICATIONS

OnePlus, Announced on Aug. 12, 2022 [online], retrieved on Nov. 9, 2022, retrieved from internet, <https://www.amazon.com/OnePlus-AMOLED-Screen-Bluetooth-Smartwatch/dp/B08WRRMTN5?th=1> (Year: 2021).*

(Continued)

Primary Examiner — Barbara Fox

Assistant Examiner — Noah Perez

(74) *Attorney, Agent, or Firm* — Samuel M. Korte; Max M. Ali

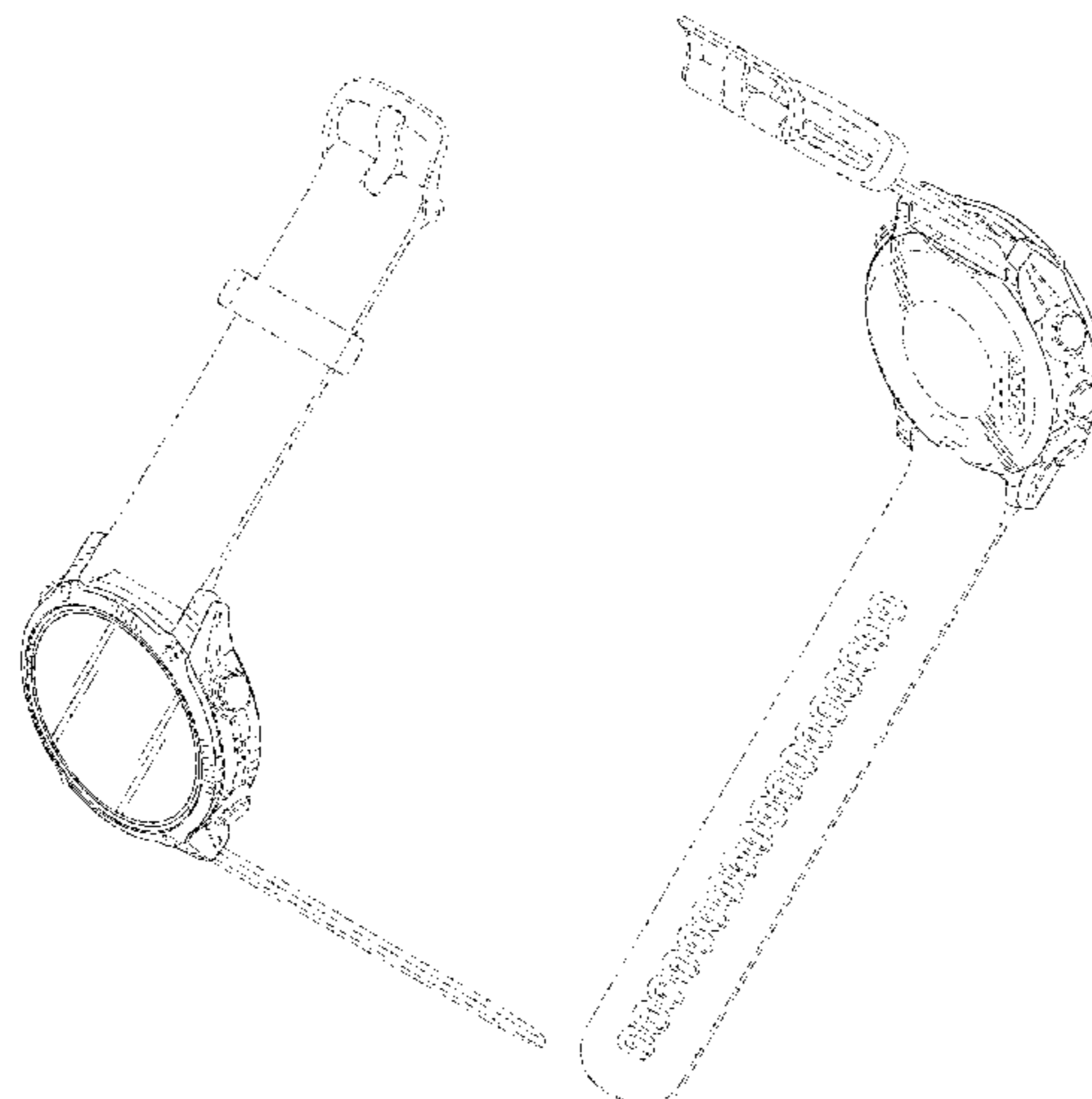
(57) **CLAIM**

The ornamental design for a watch with display, as shown and described.

DESCRIPTION

FIG. 1 is a front perspective view of a watch with display according to the present invention; FIG. 2 is a rear perspective view of the watch with display; FIG. 3 is a front view of the watch with display; FIG. 4 is a rear view of the watch with display; FIG. 5 is a left side view of the watch with display; FIG. 6 is a right side view of the watch with display; FIG. 7 is a top view of the watch with display; and, FIG. 8 is a bottom view of the watch with display. The broken lines shown in the drawings represent portions of the watch with display that form no part of the claimed design.

1 Claim, 5 Drawing Sheets



(58) **Field of Classification Search**

CPC G04B 37/18; G04B 45/00; G04B 47/00;
 G04B 47/042; G04B 47/06; G04B
 47/063; G04B 19/00; G04B 19/04; A44C
 5/00; A44C 5/0007; A44C 5/0053; A44C
 5/10; A44C 5/14

See application file for complete search history.

(56) **References Cited**

U.S. PATENT DOCUMENTS

5,974,000 A * 10/1999 Pfeil G04G 9/007
 368/69
 D427,915 S * 7/2000 Erediano D10/30
 D439,526 S * 3/2001 Ramos, Jr. D10/38
 7,372,778 B2 * 5/2008 Klopfenstein A61B 5/02416
 368/10
 D579,791 S * 11/2008 Hoshino D10/38
 7,447,118 B1 * 11/2008 Matos G04B 37/0033
 368/278
 D653,565 S * 2/2012 Hegi D10/38
 D681,482 S * 5/2013 Ramos, Jr. D10/38
 D684,066 S * 6/2013 Messmer D10/39
 D746,816 S * 1/2016 Lim D14/344
 D753,109 S * 4/2016 Kim D14/344
 D772,868 S * 11/2016 Park D10/70
 D773,458 S * 12/2016 Park D10/70
 D789,542 S * 6/2017 Lillquist D24/167
 D805,406 S 12/2017 Register et al.
 D806,581 S 1/2018 Register et al.
 D836,465 S 12/2018 Register et al.
 D844,458 S * 4/2019 Lillquist D10/30
 D848,864 S * 5/2019 Mockler D10/30
 D857,528 S * 8/2019 Moilanen D14/344
 D858,312 S * 9/2019 Liu D14/344
 D900,643 S * 11/2020 Barberis D14/344
 D912,539 S * 3/2021 Connor D14/344
 D912,540 S * 3/2021 Connor D14/344
 D912,542 S * 3/2021 Moilanen D14/344
 D913,118 S * 3/2021 Moilanen D14/344
 10,944,158 B2 * 3/2021 Sayem H01Q 5/50
 D921,625 S 6/2021 Lee et al.

D927,991 S * 8/2021 Ide D14/344
 D944,100 S * 2/2022 Register D10/128
 D962,931 S * 9/2022 He D14/344
 2013/0163390 A1 * 6/2013 Gossweiler, III
 H04M 1/72436
 368/10
 2013/0250735 A1 * 9/2013 Takenawa G04B 21/00
 368/243
 2014/0233358 A1 * 8/2014 Fujisawa G04R 60/06
 368/47

FOREIGN PATENT DOCUMENTS

JP D1720745 * 7/2022
 KR 301164233.0000 * 5/2022

OTHER PUBLICATIONS

Garmin—DC Rainmaker, Announced on Feb. 16, 2021 [online],
 retrieved on Nov. 9, 2022, retrieved from internet, <https://www.dcrainmaker.com/2021/02/garmin-enduro-gps-watch-in-depth-review.html> (Year: 2021).*

Garmin Forerunner 245—Amazon, Announced on Apr. 30, 2019
 [online], retrieved on Nov. 9, 2022, retrieved from internet, <https://www.amazon.com/Garmin-Forerunner-Smartwatch-Advanced-Dynamics/dp/B07QLVHBLF> (Year: 2019).*

Garmin Fenix 6—Amazon, Announced on Aug. 29, 2019 [online],
 retrieved on Nov. 9, 2022, retrieved from internet, <https://www.amazon.com/Garmin-Multisport-features-Grade-Adjusted-Guidance/dp/B07WL6QHWH> (Year: 2019).*

Garmin Fenix 7—Amazon, Announced on Nov. 9, 2022 [online],
 Retrieved on Nov. 9, 2022, retrieved from internet, <https://www.amazon.com/Sapphire-Adventure-Touchscreen-Smartwatch-Signature/dp/B09YYY3YHX> (Year: 2022).*

U.S. Appl. No. 29/701,145, filed Aug. 8, 2019.
 U.S. Appl. No. 29/701,151, filed Aug. 8, 2019.
 U.S. Appl. No. 29/701,153, filed Aug. 8, 2019.
 Printout from <https://www.shearwater.com/teric/>, published prior to
 May 20, 2020.

* cited by examiner

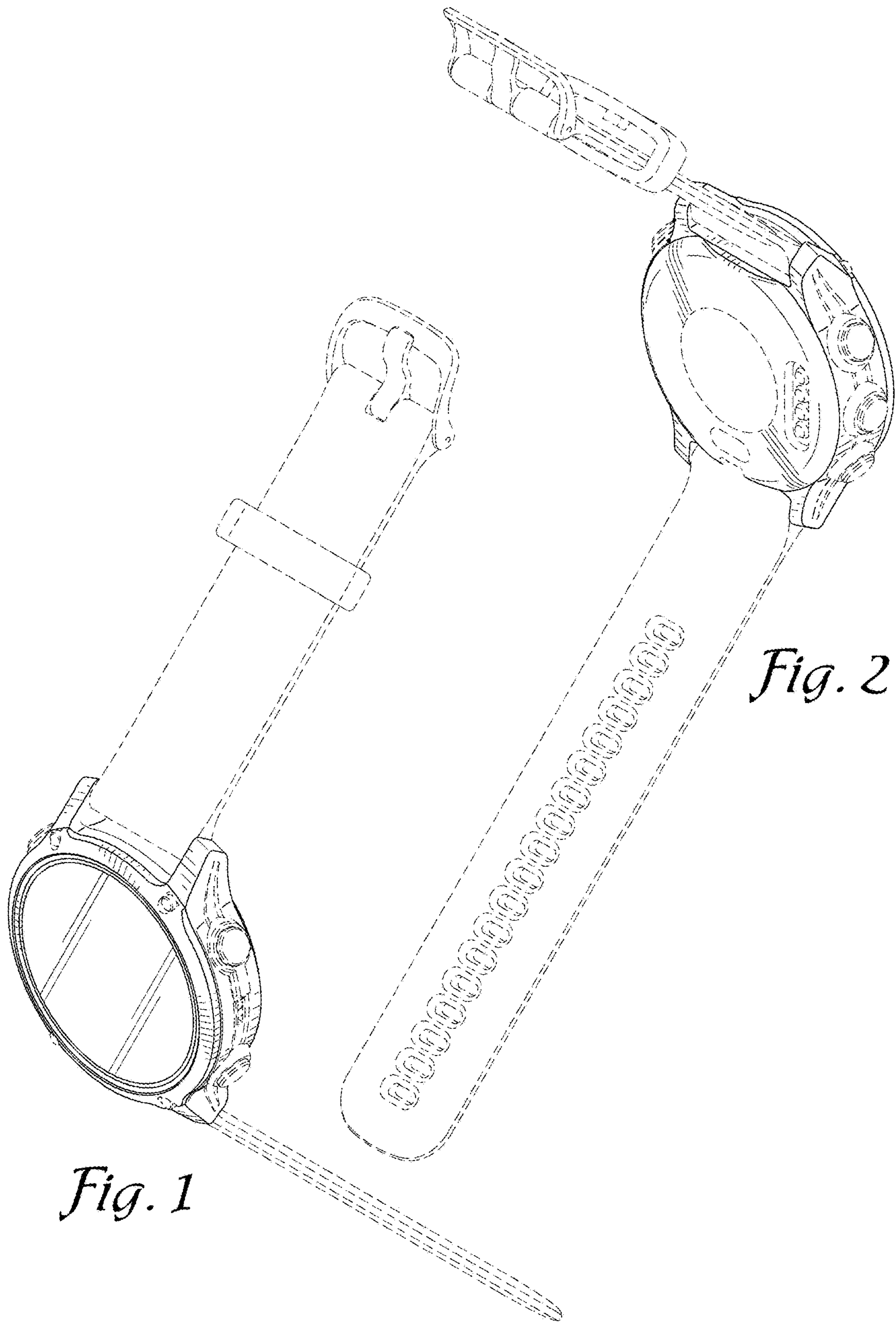


Fig. 1

Fig. 2

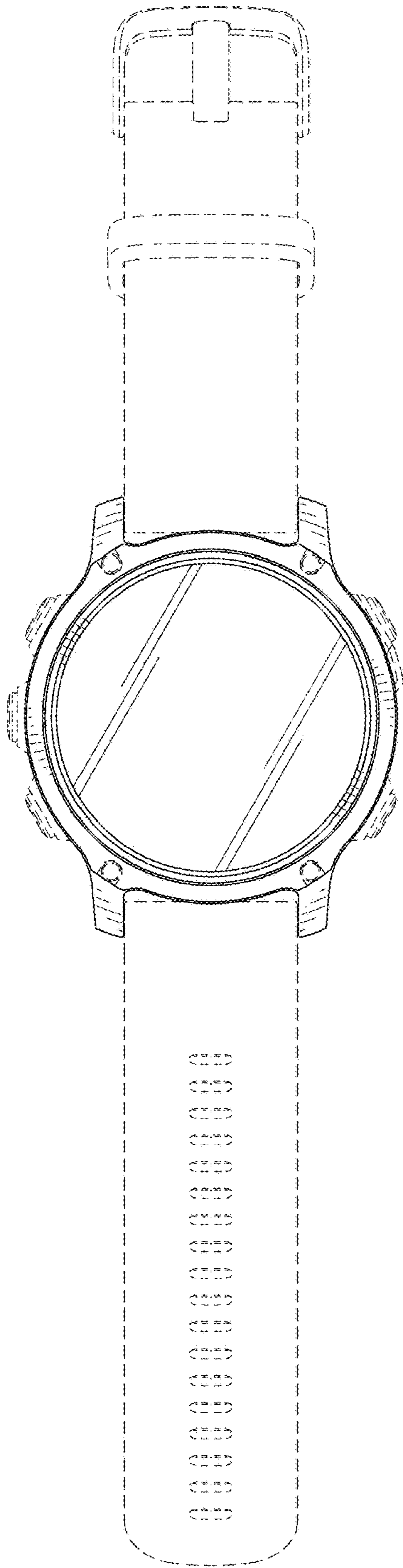


Fig. 3

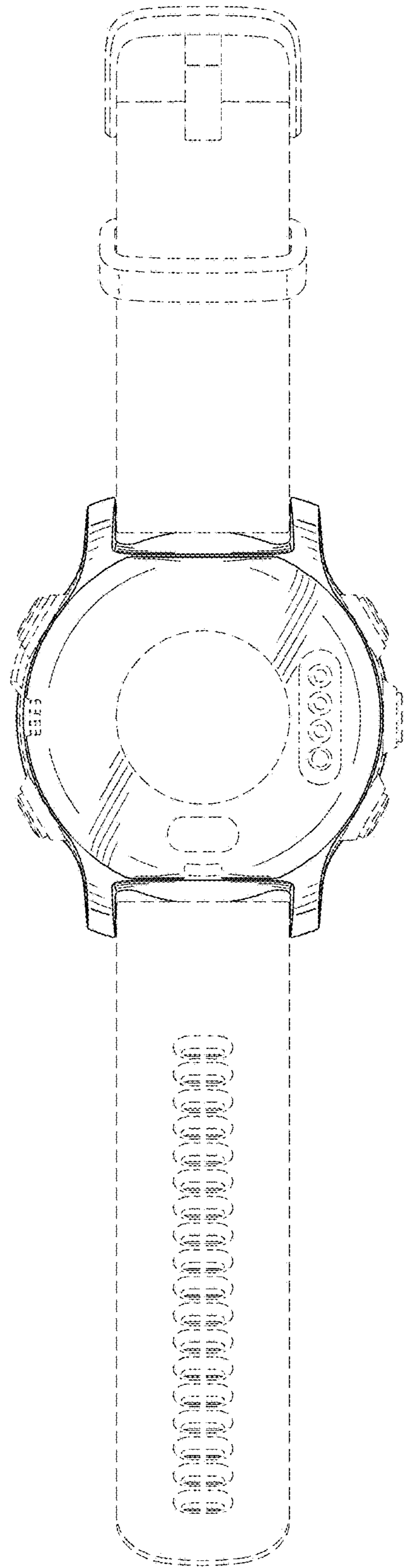


Fig. 4

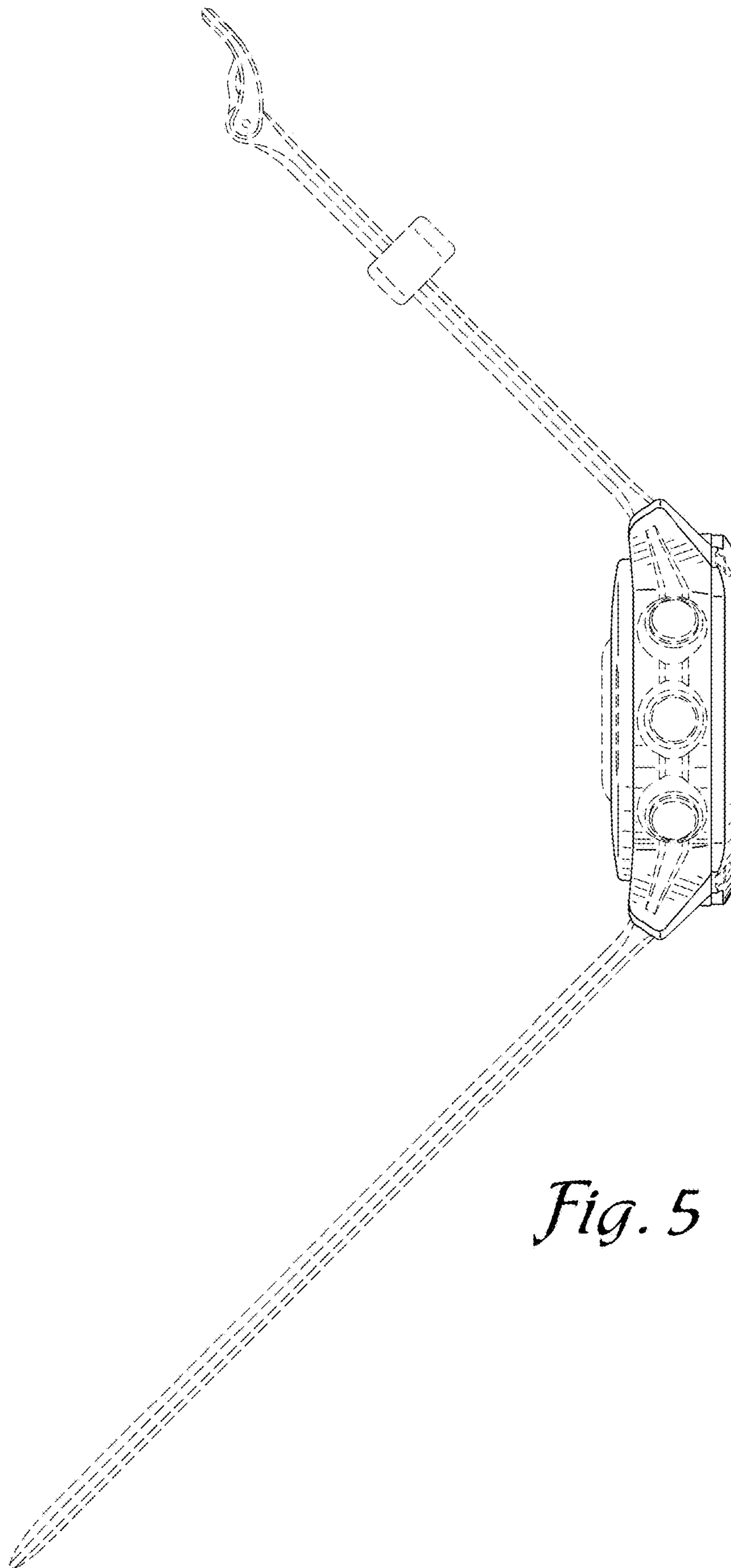


Fig. 5

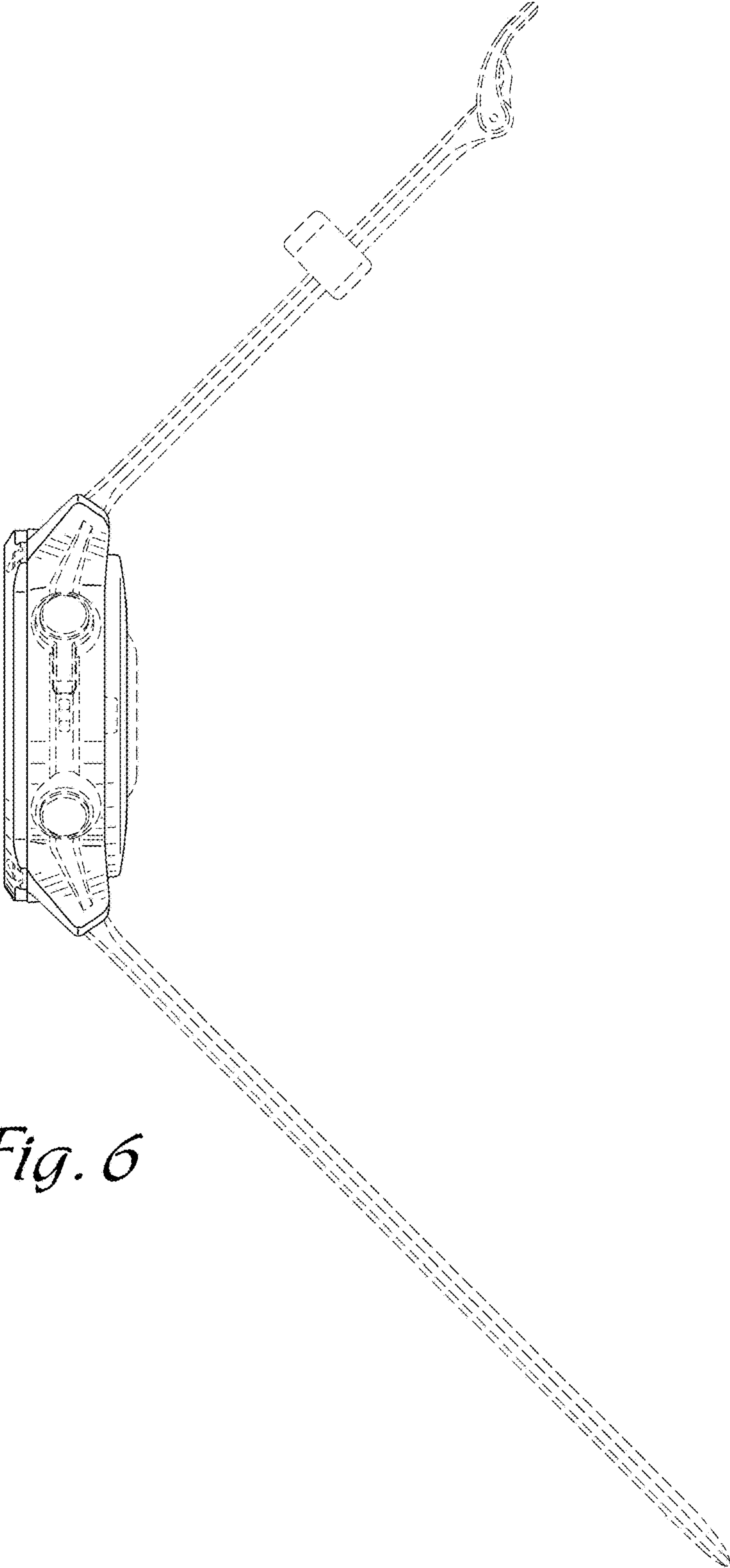


Fig. 6

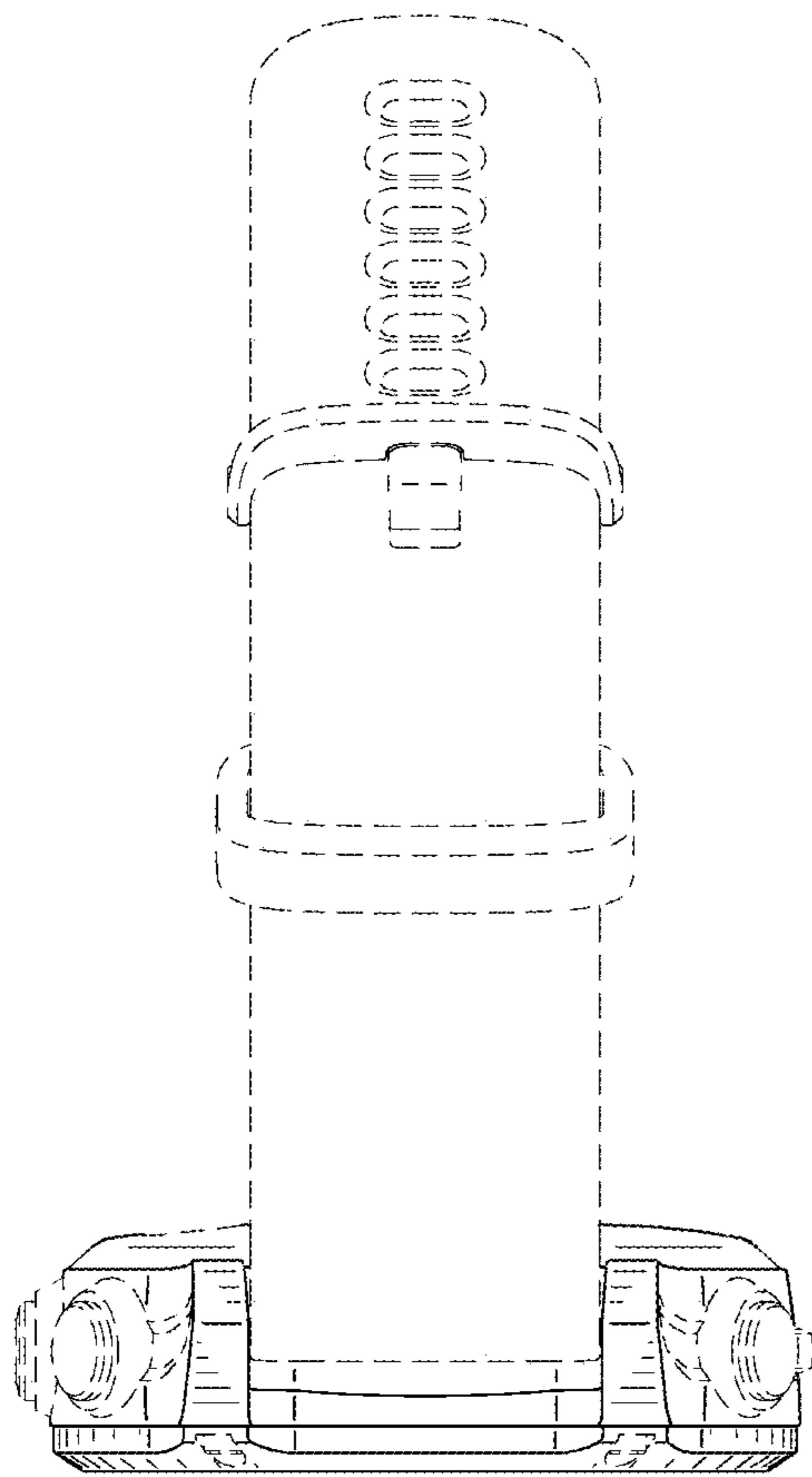


Fig. 7

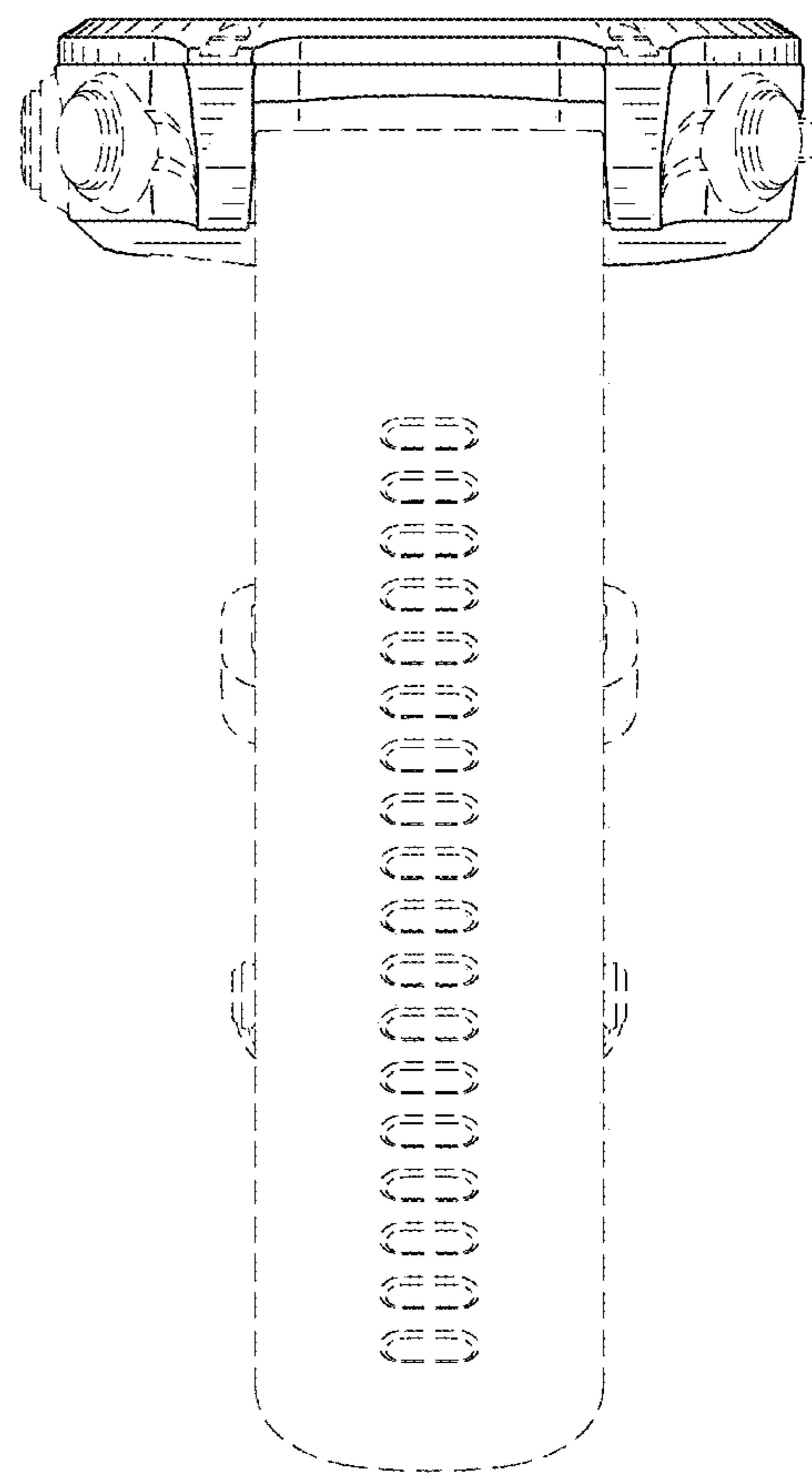


Fig. 8