



US00D982578S

(12) **United States Design Patent** (10) **Patent No.:** **US D982,578 S**  
**Biddle et al.** (45) **Date of Patent:** **\*\* Apr. 4, 2023**

(54) **ELECTRONIC DEVICE**

(71) Applicant: **Amazon Technologies, Inc.**, Seattle, WA (US)

(72) Inventors: **Jonathan Howard Biddle**, San Francisco, CA (US); **Timothy Eli Wall**, Sausalito, CA (US); **Jun Yang**, Shenzhen (CN)

(73) Assignee: **Amazon Technologies, Inc.**, Seattle, WA (US)

(\*\*) Term: **15 Years**

(21) Appl. No.: **29/663,051**

(22) Filed: **Sep. 11, 2018**

(51) **LOC (14) Cl.** ..... **14-02**

(52) **U.S. Cl.**  
USPC ..... **D14/341**

(58) **Field of Classification Search**  
USPC ..... D14/138 AA, 138 AB, 138 AC, 138 AD, D14/138 C, 138 G, 248, 315-318,  
(Continued)

(56) **References Cited**

U.S. PATENT DOCUMENTS

D504,889 S \* 5/2005 Andre ..... D14/341  
D627,777 S \* 11/2010 Akana ..... D14/341  
(Continued)

FOREIGN PATENT DOCUMENTS

CA 148860 \* 3/2015  
CA 176482 \* 9/2018  
(Continued)

OTHER PUBLICATIONS

Amazon's new \$50 Fire tablet, Jun. 15, 2017, [retrieved Oct. 20, 2021], Retrieved from Internet, URL: <<https://www.businessinsider.com/amazon-fire-7-tablet-review-best-cheap-tablet-2017-6>> (Year: 2017).\*

(Continued)

*Primary Examiner* — Barbara Fox

*Assistant Examiner* — Aram Kwon

(74) *Attorney, Agent, or Firm* — Lee & Hayes, P.C.

(57) **CLAIM**

The ornamental design for an electronic device, as shown and described.

**DESCRIPTION**

FIG. 1 is a top perspective view of a first embodiment of an electronic device;

FIG. 2 is a bottom perspective view thereof;

FIG. 3 is a front view thereof;

FIG. 4 is a back view thereof;

FIG. 5 is a left-side view thereof;

FIG. 6 is a right-side view thereof;

FIG. 7 is a top view thereof;

FIG. 8 is a bottom view thereof;

FIG. 9 is a close-up view of a portion indicated by the circle shown in FIG. 8;

FIG. 10 is a cross-sectional view of the electronic device taken in the direction of line 10-10 of FIG. 3;

FIG. 11 is a top perspective view of a second embodiment of an electronic device;

FIG. 12 is a bottom perspective view thereof;

FIG. 13 is a front view thereof;

FIG. 14 is a back view thereof;

FIG. 15 is a left-side view thereof;

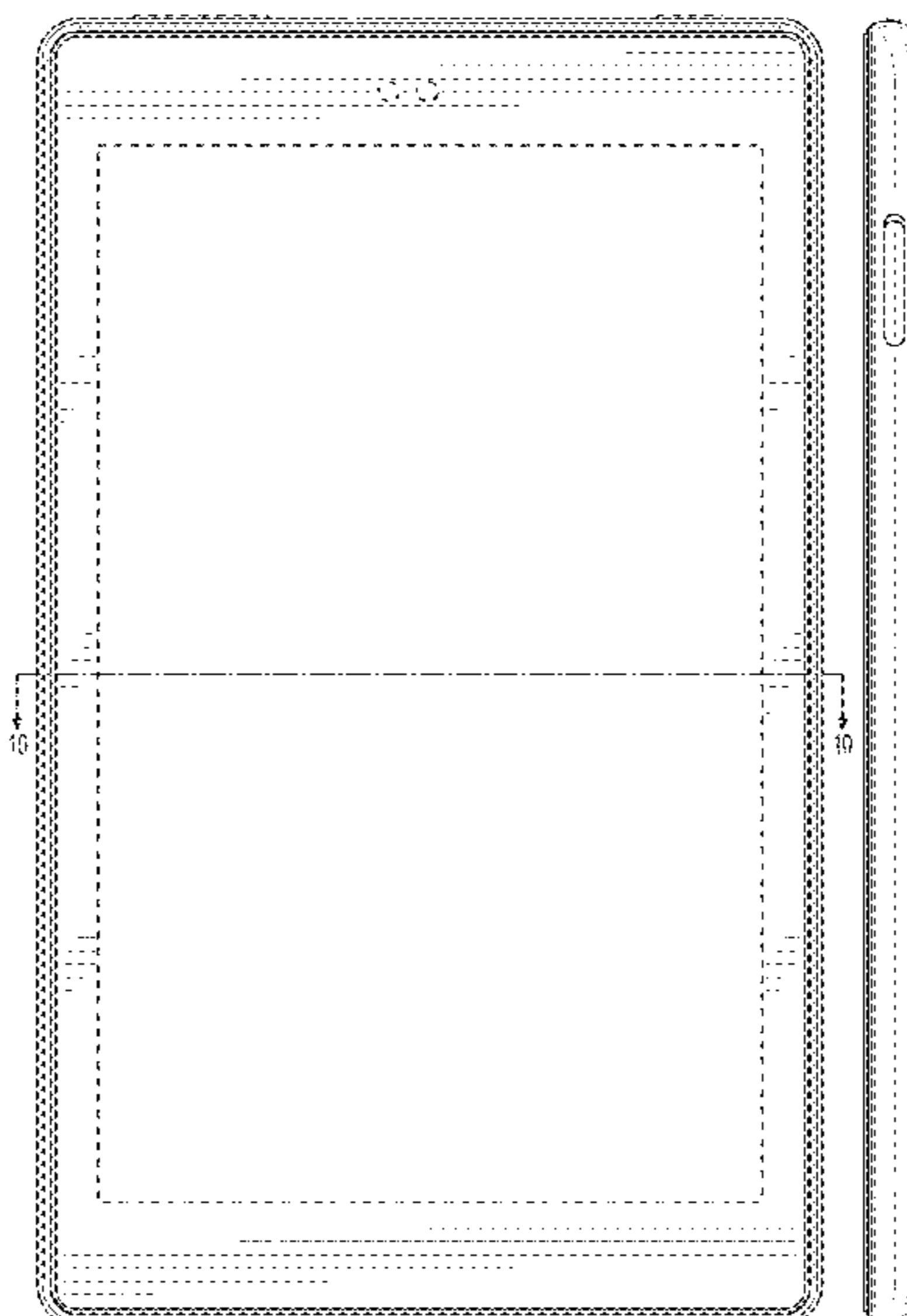
FIG. 16 is a right-side view thereof;

FIG. 17 is a top view thereof; and,

FIG. 18 is a bottom view thereof.

The dashed broken lines depict portions of the electronic device that form no part of the claimed design.

**1 Claim, 18 Drawing Sheets**



(58) **Field of Classification Search**

USPC ..... D14/341–347, 371, 374; D6/308, 310;  
D10/50, 65, 104.1; D18/6–7; D19/26,  
D19/59–60; D21/324, 329–330, 332;  
D13/103

CPC ... H04M 1/0202; H04M 1/0266; H04M 1/725  
See application file for complete search history.

(56) **References Cited**

U.S. PATENT DOCUMENTS

D634,318 S \* 3/2011 Buckle ..... D14/341  
D636,769 S \* 4/2011 Wood ..... D14/341  
D641,018 S \* 7/2011 Lee ..... D14/341  
D654,074 S \* 2/2012 Wood ..... D14/341  
D667,825 S \* 9/2012 Jung ..... D14/341  
D668,650 S \* 10/2012 Han ..... D14/341  
D669,468 S \* 10/2012 Akana ..... D14/341  
D672,345 S \* 12/2012 Li ..... D14/341  
D673,561 S \* 1/2013 Hyun ..... D14/341  
D676,443 S \* 2/2013 Canizares ..... D14/341  
D679,706 S \* 4/2013 Tang ..... D14/341  
D680,524 S \* 4/2013 Feng ..... D14/341  
D681,632 S \* 5/2013 Akana ..... D14/341  
D684,968 S \* 6/2013 Smith ..... D14/341  
D684,969 S \* 6/2013 Smith ..... D14/341  
D685,783 S \* 7/2013 Bryan ..... D14/341  
D688,661 S \* 8/2013 Ho ..... D14/341  
D689,482 S \* 9/2013 Akana ..... D14/341  
D690,297 S \* 9/2013 Chang ..... D14/341  
D696,664 S \* 12/2013 Iida ..... D14/342  
D697,911 S \* 1/2014 McManigal ..... D14/341  
D699,719 S \* 2/2014 Akana ..... D14/341  
D705,779 S \* 5/2014 Akana ..... D14/341  
D706,774 S \* 6/2014 Park ..... D14/341  
D706,775 S \* 6/2014 Akana ..... D14/341  
D712,899 S \* 9/2014 Park ..... D14/341  
D715,794 S \* 10/2014 Zhou ..... D14/341  
D715,795 S \* 10/2014 McManigal ..... D14/341  
D716,798 S \* 11/2014 Kurimoto ..... D14/341  
D722,050 S \* 2/2015 Moradian ..... D14/341  
D729,234 S \* 5/2015 Park ..... D14/341  
D735,188 S \* 7/2015 Oh ..... D14/341  
D736,202 S \* 8/2015 Solomon ..... D14/341  
D743,959 S \* 11/2015 Landwehr ..... D14/341  
D744,481 S \* 12/2015 Yokoyama ..... D14/341  
D745,509 S \* 12/2015 Solomon ..... D14/341  
D746,281 S \* 12/2015 Kim ..... D14/341  
D746,282 S \* 12/2015 Kim ..... D14/341  
D746,283 S \* 12/2015 Cha ..... D14/341  
D746,284 S \* 12/2015 Lee ..... D14/341  
D750,062 S \* 2/2016 Akana ..... D14/341  
D750,065 S \* 2/2016 Akana ..... D14/341  
D750,621 S \* 3/2016 Looor Canizares ..... D14/341  
D753,105 S \* 4/2016 Chang ..... D14/341  
D758,361 S \* 6/2016 Yeo ..... D14/341  
D760,715 S \* 7/2016 Chang ..... D14/341  
D767,562 S \* 9/2016 Jang ..... D14/341  
D774,031 S \* 12/2016 Otani ..... D14/341  
D778,904 S \* 2/2017 Akana ..... D14/341  
D781,285 S \* 3/2017 Akana ..... D14/341  
D786,238 S \* 5/2017 Roberts ..... D14/341  
D795,249 S \* 8/2017 Wall ..... D14/341  
D808,957 S \* 1/2018 Tian ..... D14/341  
D820,253 S \* 6/2018 Kim ..... D14/341  
D822,015 S \* 7/2018 Biddle ..... D14/341  
D835,097 S \* 12/2018 Morgan ..... D14/341  
D839,266 S \* 1/2019 Chang ..... D14/341

D869,459 S \* 12/2019 Wan ..... D14/341  
D870,100 S \* 12/2019 Li ..... D14/341  
D873,265 S \* 1/2020 Wall ..... D14/341  
D878,363 S \* 3/2020 Zhai ..... D14/341  
D879,772 S \* 3/2020 Wall ..... D14/341  
D905,050 S \* 12/2020 Kim ..... D14/341  
D908,692 S \* 1/2021 Biddle ..... D14/341  
D908,693 S \* 1/2021 Biddle ..... D14/341  
D917,464 S \* 4/2021 Kang ..... D14/341  
D922,372 S \* 6/2021 Ham ..... D14/341  
D922,373 S \* 6/2021 Yeo ..... D14/341  
D923,619 S \* 6/2021 Matsumoto ..... D14/341  
D945,414 S \* 3/2022 Cheng ..... D14/341  
D947,834 S \* 4/2022 Akana ..... D14/341  
D947,837 S \* 4/2022 Wall ..... D14/341  
2020/0196479 A1 \* 6/2020 Zhang ..... H04M 1/0202

FOREIGN PATENT DOCUMENTS

CN 303825741 \* 8/2016  
CN 303931241 \* 11/2016  
GB 6019143 \* 9/2017  
IN 297647-0001 \* 8/2019  
JP 1601570 4/2018

OTHER PUBLICATIONS

Amazon Fire HD 10 (2019) review, Nov. 11, 2019, [retrieved Oct. 20, 2021], Retrieved from Internet, URL: <<https://www.theverge.com/2019/11/11/20959152/amazon-fire-hd-10-2019-review-tablet-alexa-price-specs-features-photos>> (Year: 2019).\*

Amazon Fire HD 10 Plus review, Jun. 22, 2021, [retrieved Oct. 20, 2021], Retrieved from Internet, URL: <<https://www.androidauthority.com/amazon-fire-hd-10-plus-review-1230412/>> (Year: 2021).\*

A \$50 Tablet Can Handle the Basics, Jul. 2, 2019, [retrieved Oct. 20, 2021], Retrieved from Internet, URL: <<https://www.theverge.com/2019/7/2/20677976/amazon-fire-7-walmart-onn-tablet-review-budget-price-features>> (Year: 2019).\*

Fire HD 10 Plus (2021) review, Jul. 2, 2021, [retrieved Oct. 20, 2021], Retrieved from Internet, URL: <<https://www.theguardian.com/technology/2021/jul/02/fire-hd-10-plus-2021-review-amazons-top-budget-tablet-upgraded>> (Year: 2021).\*

Amazon's new \$50 Fire tablet . . . , Jun. 15, 2017, [retrieved Oct. 21, 2021], Retrieved from Internet, URL: <<https://www.businessinsider.com/amazon-fire-7-tablet-review-best-cheap-tablet-2017-6>> (Year: 2017).\*

Indian Office Action dated Mar. 18, 2019 for Indian Patent Application No. 315560-001, a counterpart of U.S. Appl. No. 29/663,051, 2 pages.

Canadian Office Action dated Apr. 9, 2021 for Canadian Design Application No. 186078, a counterpart foreign application of Design U.S. Appl. No. 29/663,051, 2 pages.

Canadian Office Action dated Apr. 9, 2021 for Canadian Patent Application No. 194985, a counterpart foreign application of U.S. Appl. No. 29/663,051, 2 pages.

Chinese Office Action dated Sep. 2, 2019 for Chinese Patent Application No. 201930097536.3, a counterpart of U.S. Appl. No. 29/663,051, 1 page.

Japanese Office Action dated Aug. 9, 2019 for Japanese Patent Application No. 2019-003545, a counterpart of U.S. Appl. No. 29/663,051, 3 pages.

Canadian Office Action dated Mar. 6, 2020 for Canadian Patent Application No. 186078, a counterpart of U.S. Appl. No. 29/663,051, 2 pages.

\* cited by examiner

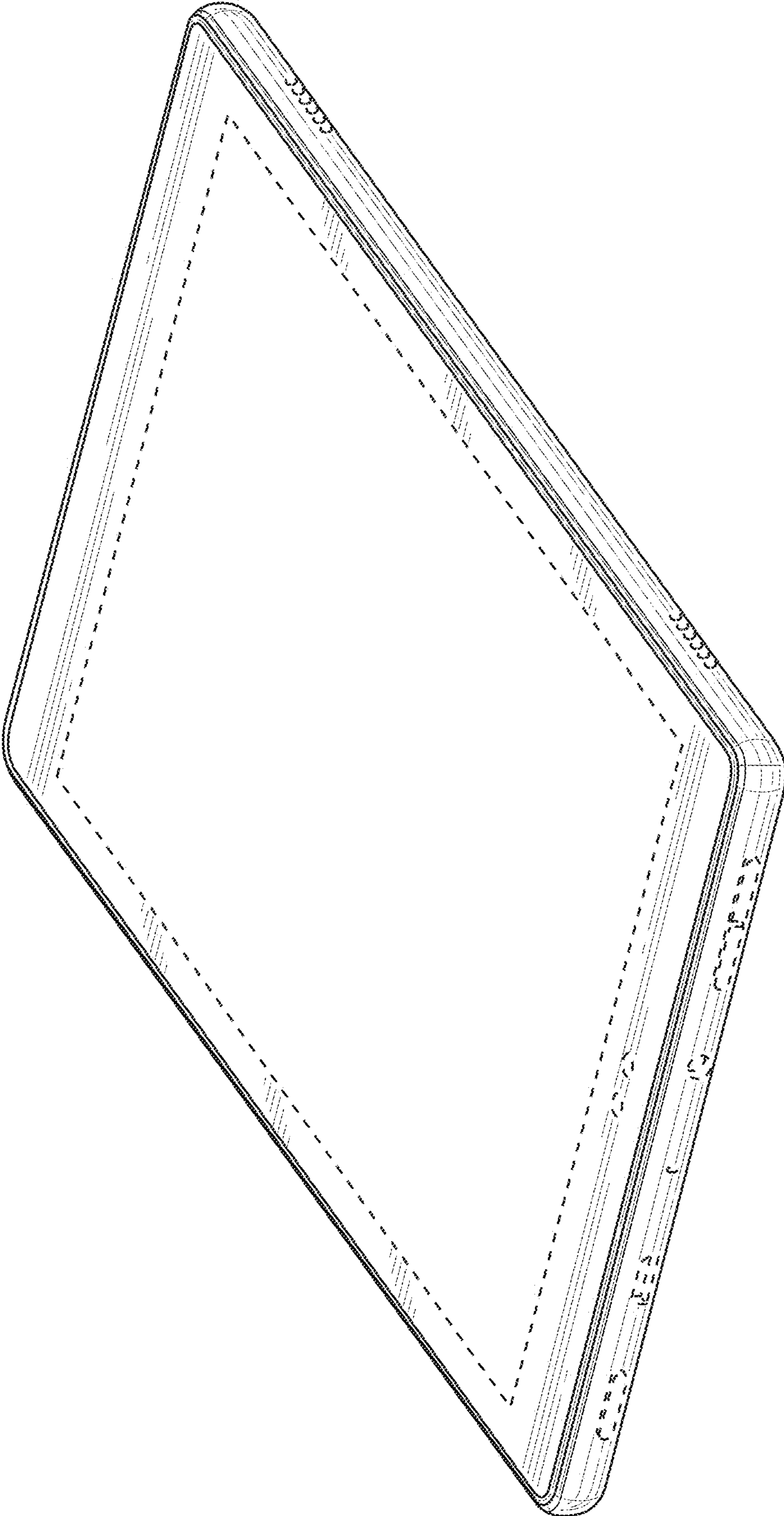


FIG. 1

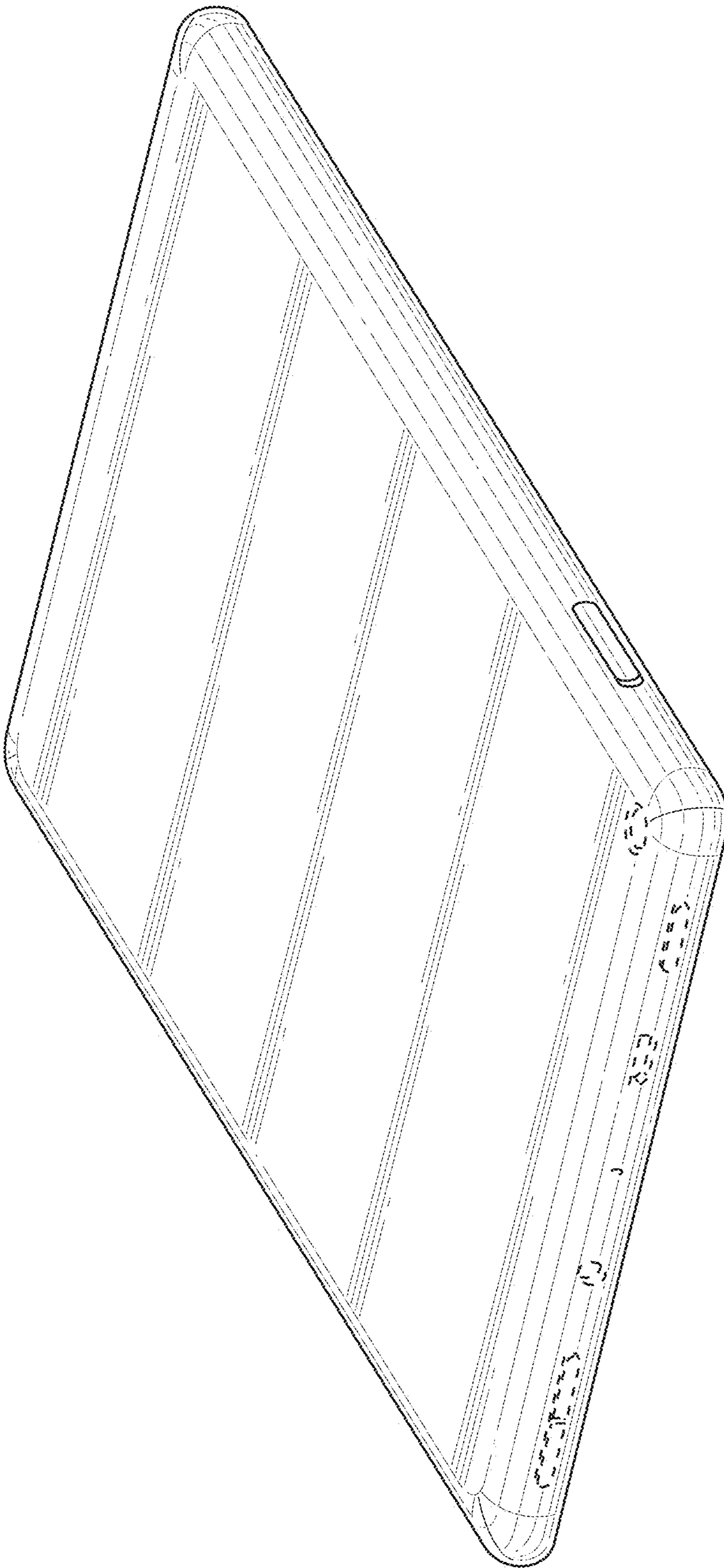
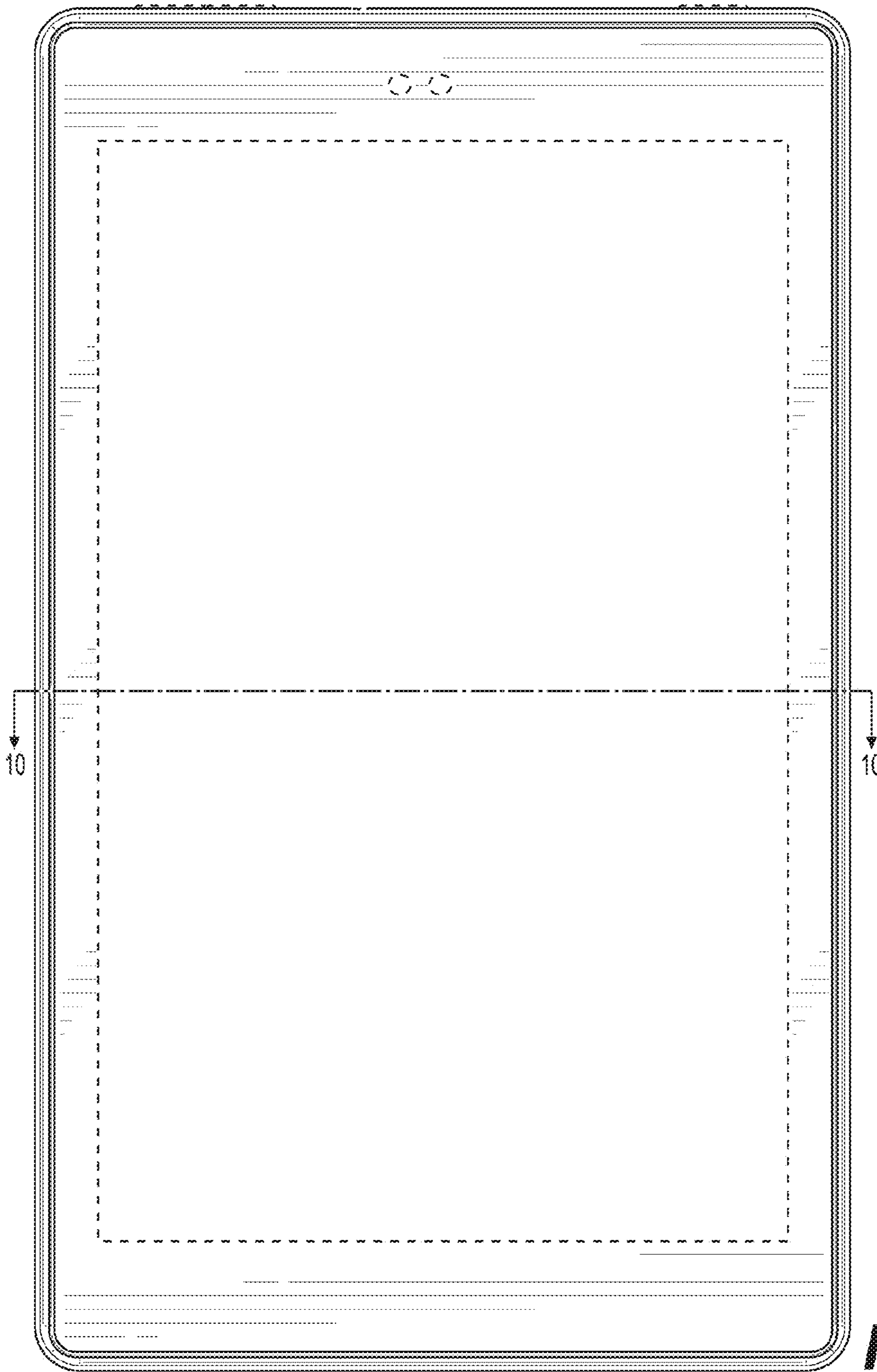
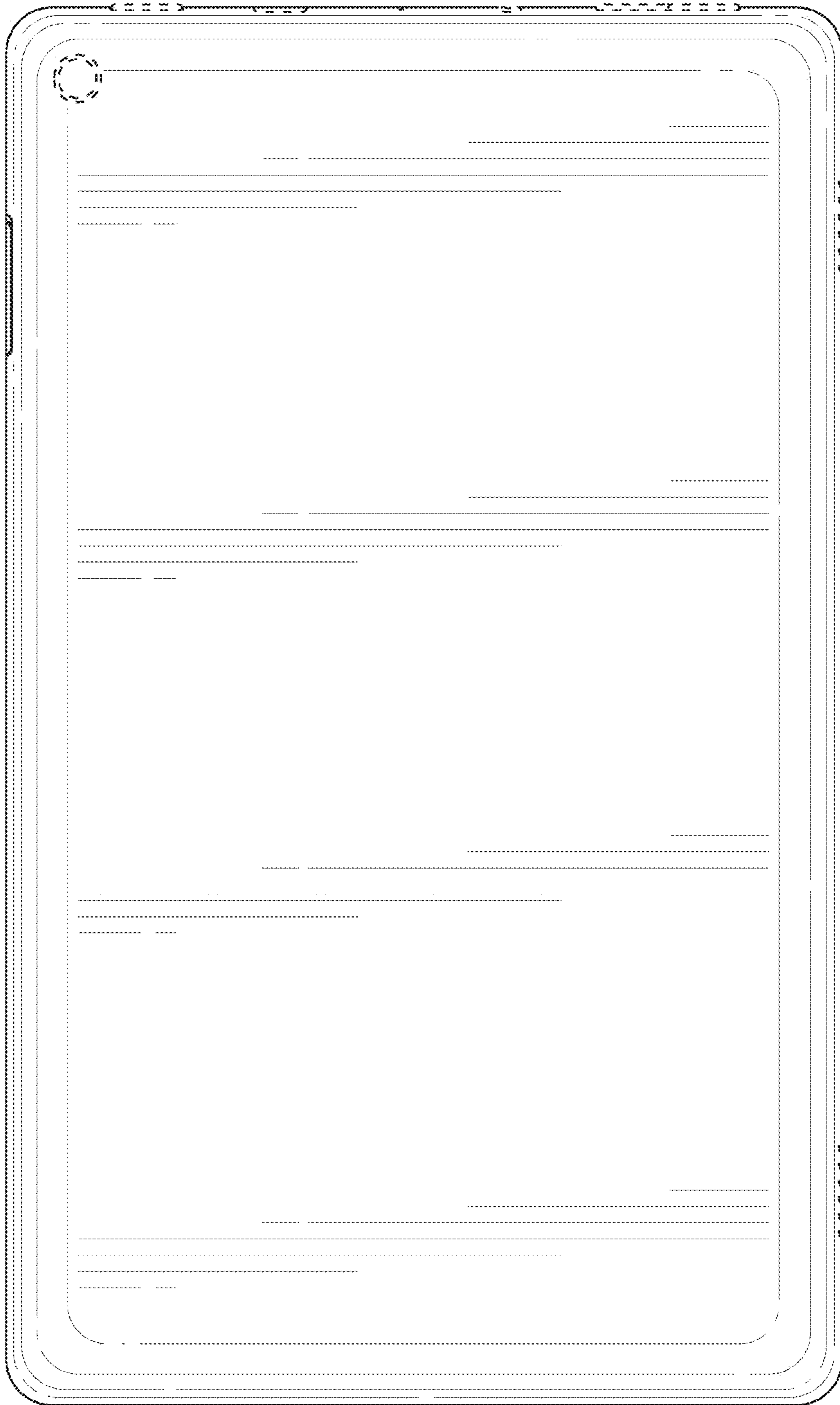


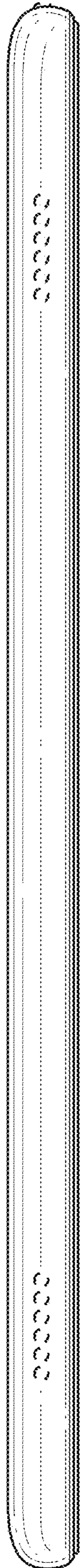
FIG. 2



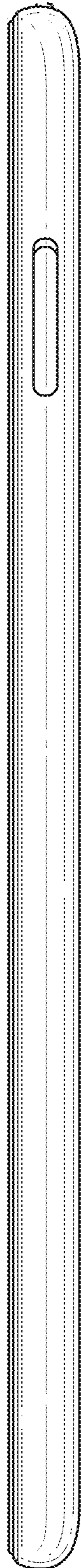
**FIG. 3**



**FIG. 4**

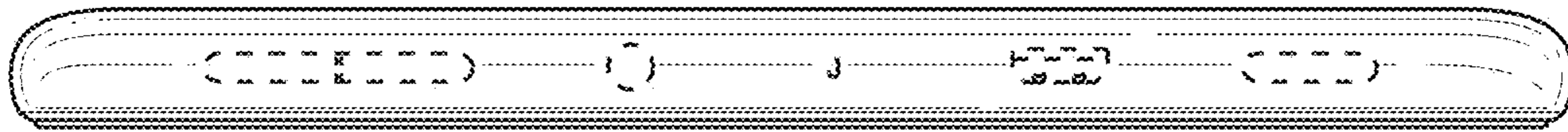


**FIG. 5**

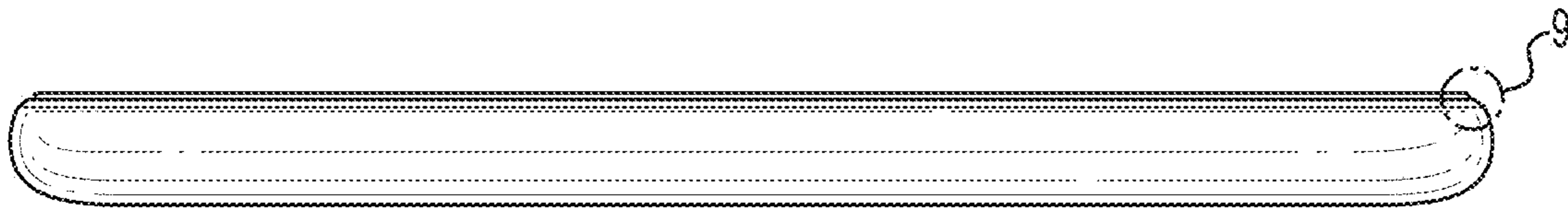


**FIG. 6**

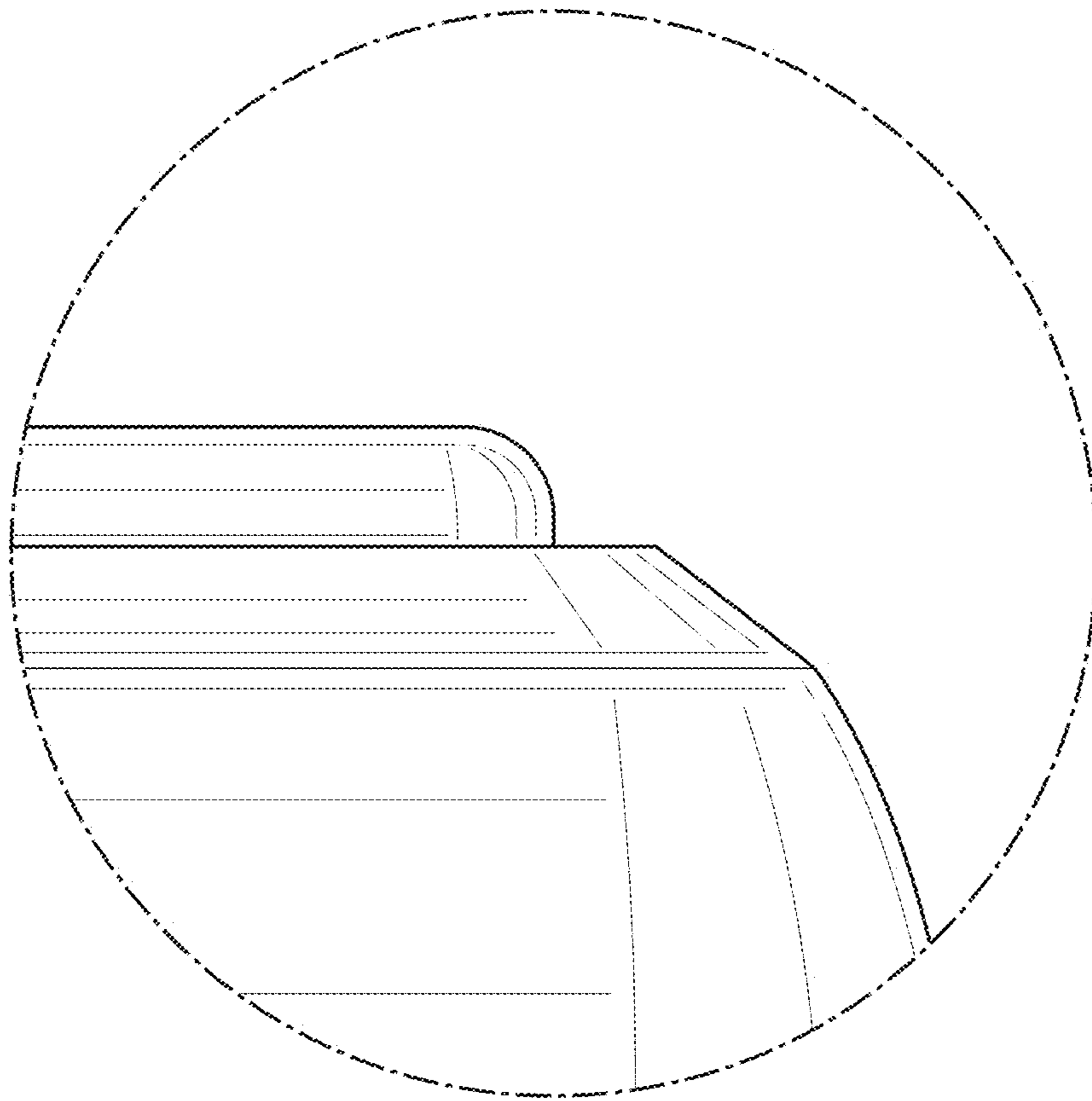




**FIG. 7**



**FIG. 8**



**FIG. 9**



***FIG. 10***

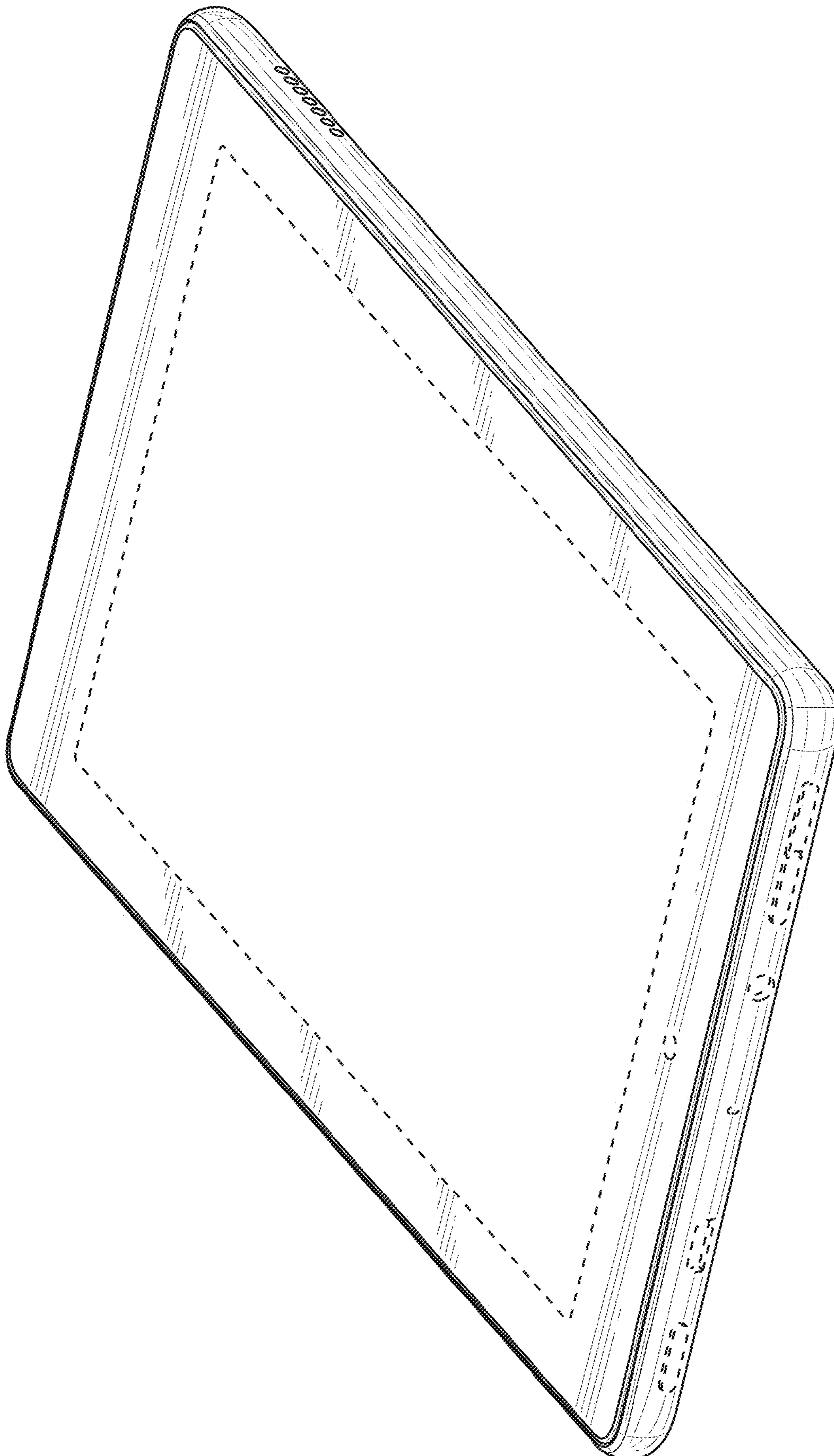
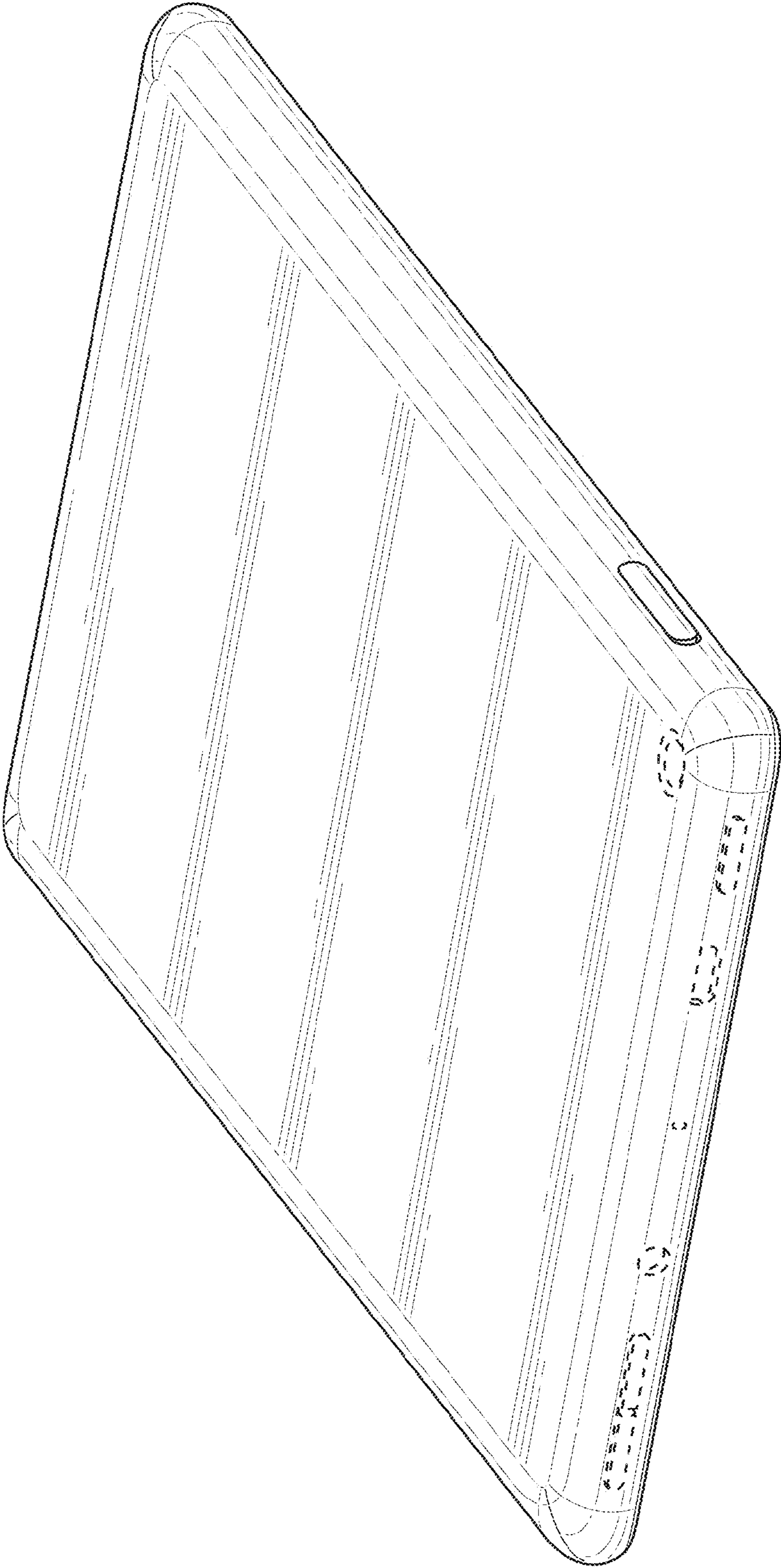
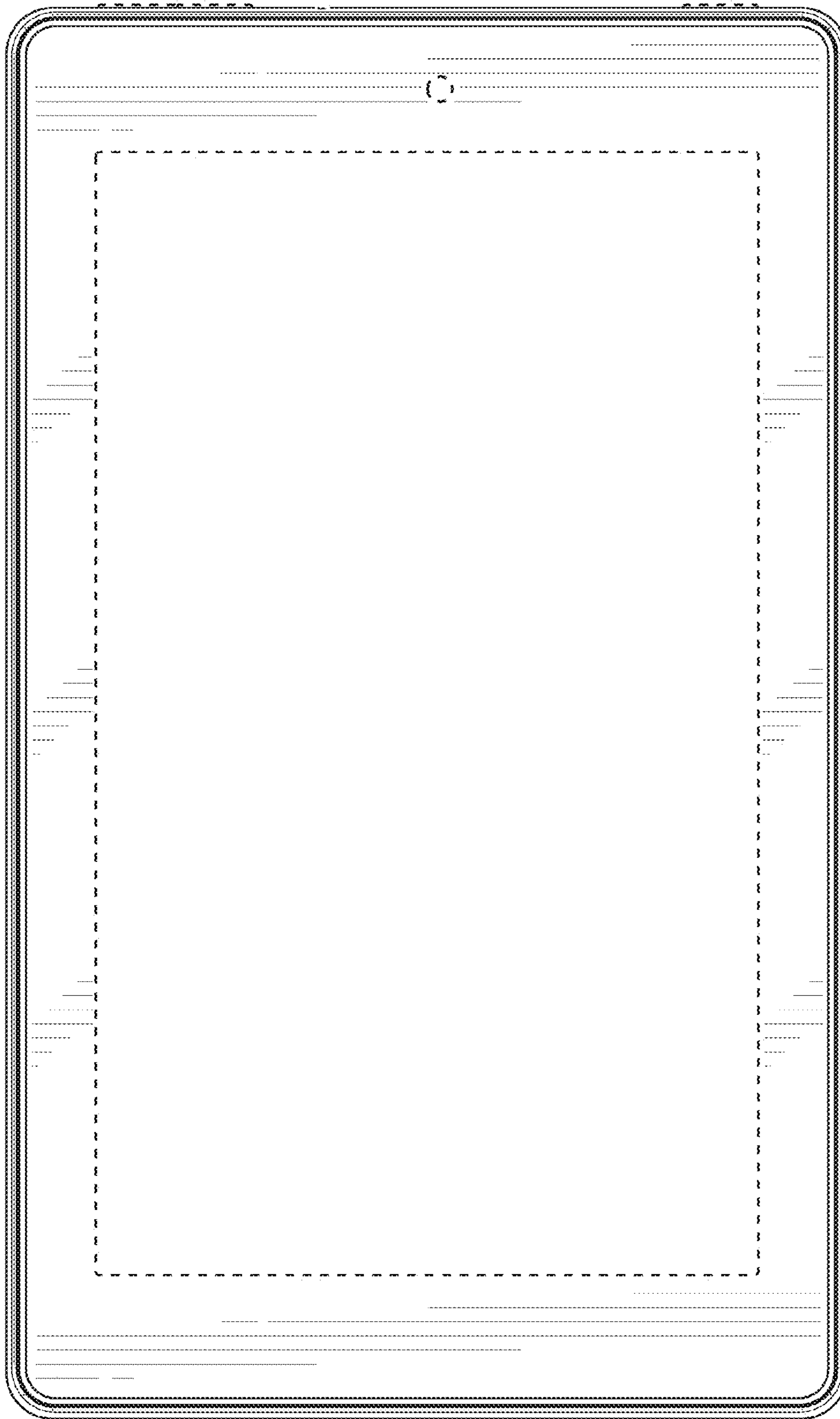


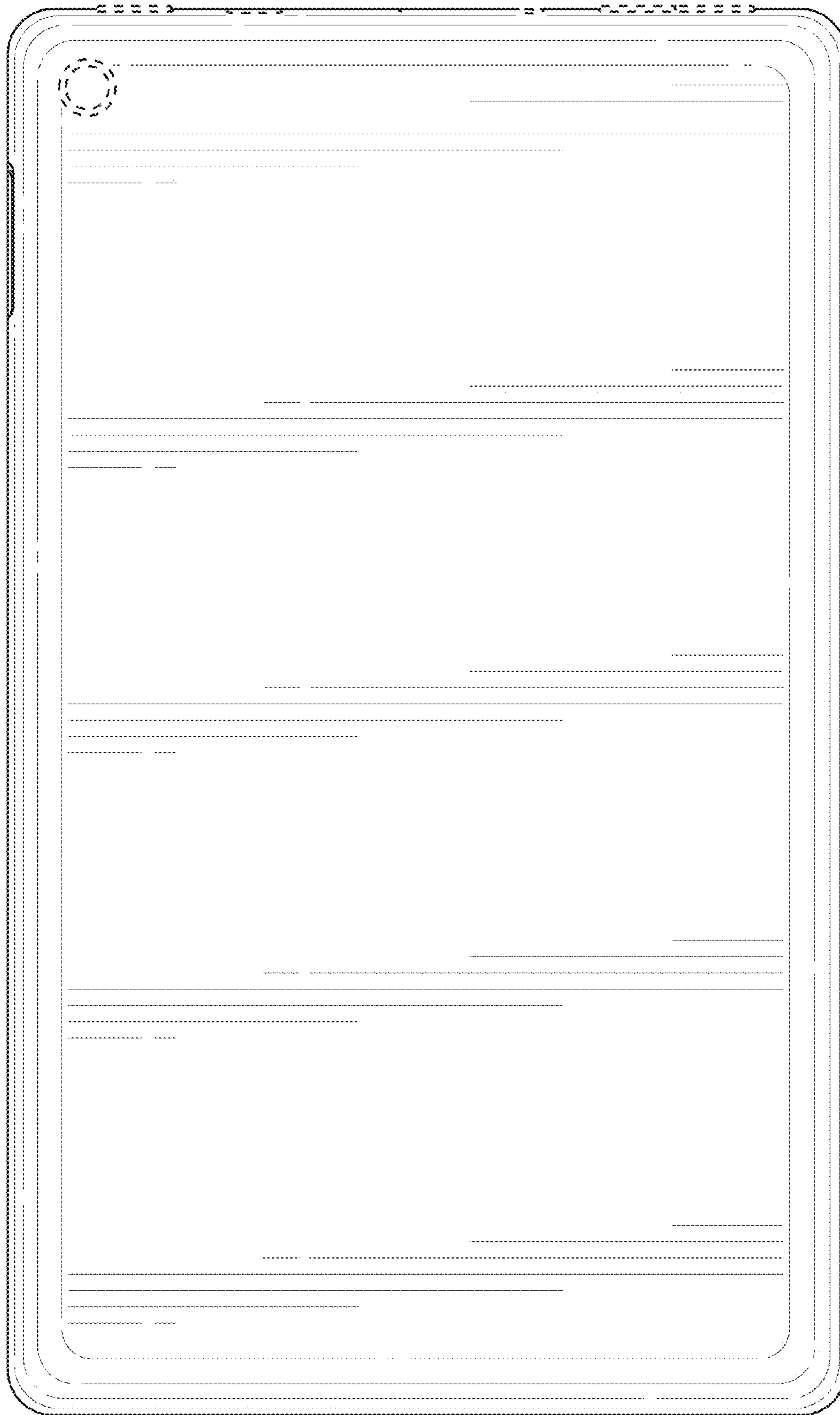
FIG. 11



**FIG. 12**

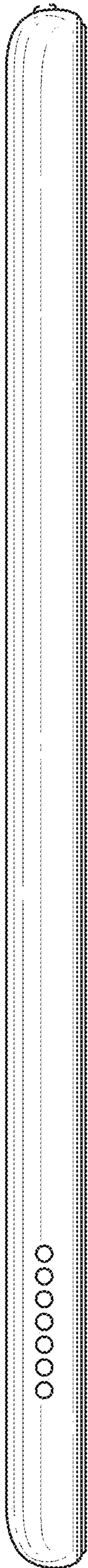


**FIG. 13**

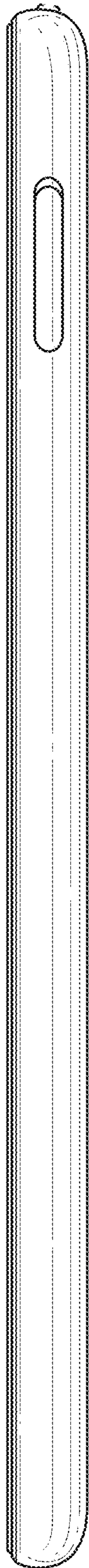


**FIG. 14**

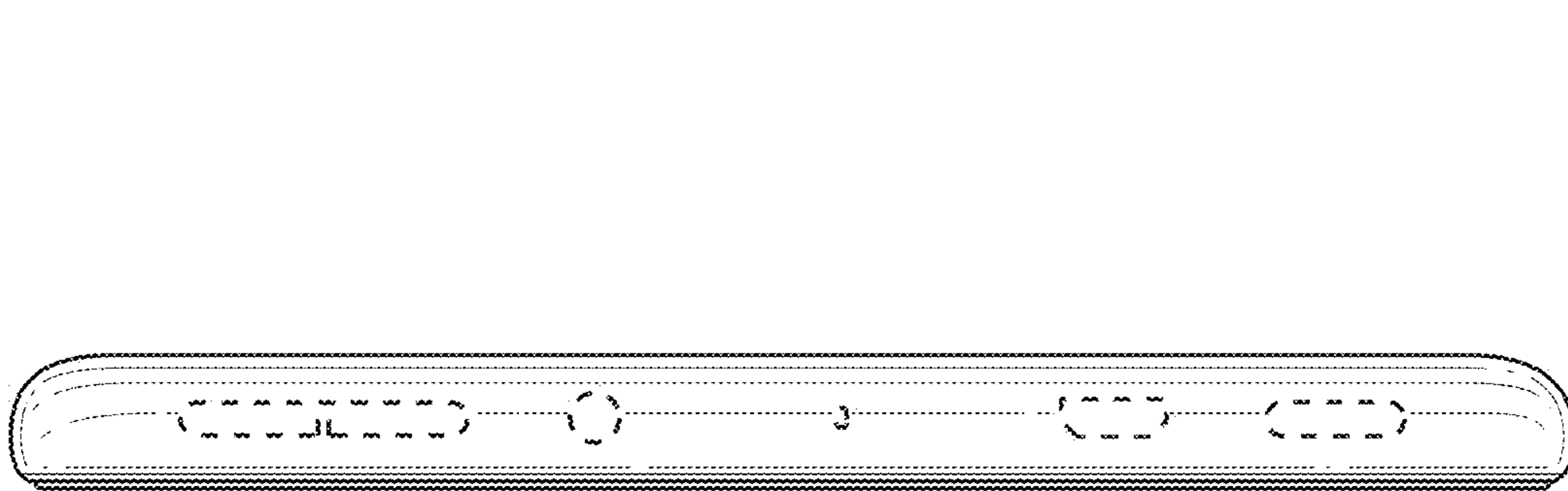




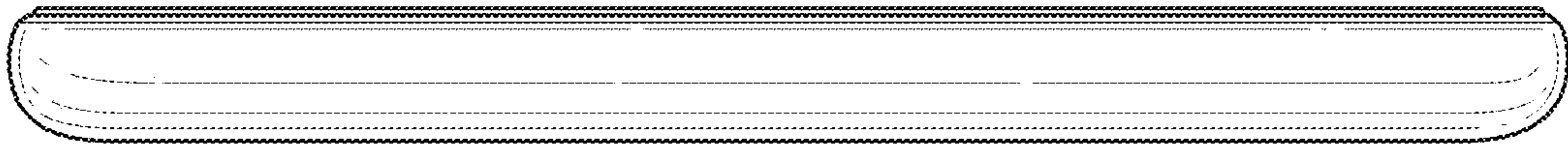
**FIG. 15**



**FIG. 16**



**FIG. 17**



**FIG. 18**