



US00D982577S

(12) **United States Design Patent**
Chen et al.

(10) **Patent No.:** **US D982,577 S**

(45) **Date of Patent:** **** Apr. 4, 2023**

(54) **NOTEBOOK COMPUTER**

- (71) Applicant: **Acer Incorporated**, New Taipei (TW)
- (72) Inventors: **Chien-Yuan Chen**, New Taipei (TW);
Cheng-Mao Chang, New Taipei (TW);
Yu-Chin Huang, New Taipei (TW);
Chia-Bo Chen, New Taipei (TW)
- (73) Assignee: **Acer Incorporated**, New Taipei (TW)
- (**) Term: **15 Years**
- (21) Appl. No.: **29/767,994**
- (22) Filed: **Jan. 27, 2021**

(30) **Foreign Application Priority Data**

- Sep. 29, 2020 (TW) 109305474
- (51) **LOC (14) Cl.** **14-02**
- (52) **U.S. Cl.**
USPC **D14/315**
- (58) **Field of Classification Search**
USPC D14/127, 130, 203.4, 306, 310-312,
D14/315-316, 318, 320, 323, 327, 331,
(Continued)

(56) **References Cited**

U.S. PATENT DOCUMENTS

- D292,710 S * 11/1987 Woods, Jr. D18/26
- 5,255,214 A * 10/1993 Ma F16M 11/10
361/679.55

(Continued)

FOREIGN PATENT DOCUMENTS

- CN 306441826 * 4/2021
- CN 306579277 * 6/2021

(Continued)

OTHER PUBLICATIONS

Concept 3 Ezel and Concept D 3 Ezel Pro, Acer, acer.com, author unlisted, published on Aug. 13, 2020 per wayback machine © 2022 Acer, Inc., online, site visited Jun. 6, 2022. Available at URL: <https://www.acer.com/ac/en/US/content/conceptd-series/conceptd3ezel> (Year: 2020).*

(Continued)

Primary Examiner — Holly E Thurman

Assistant Examiner — Altaira J Swangin

(74) *Attorney, Agent, or Firm* — JCIPRNET

(57) **CLAIM**

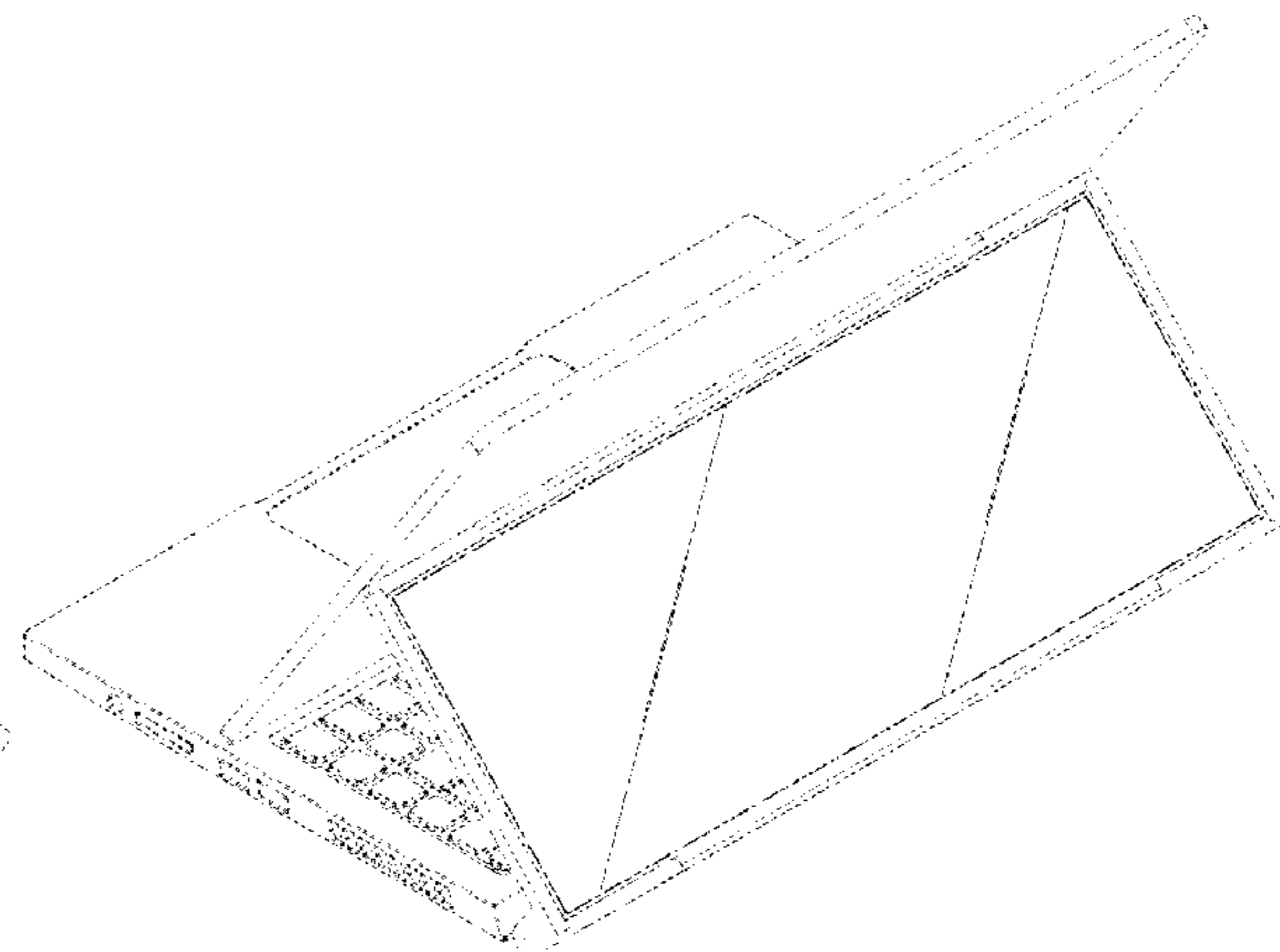
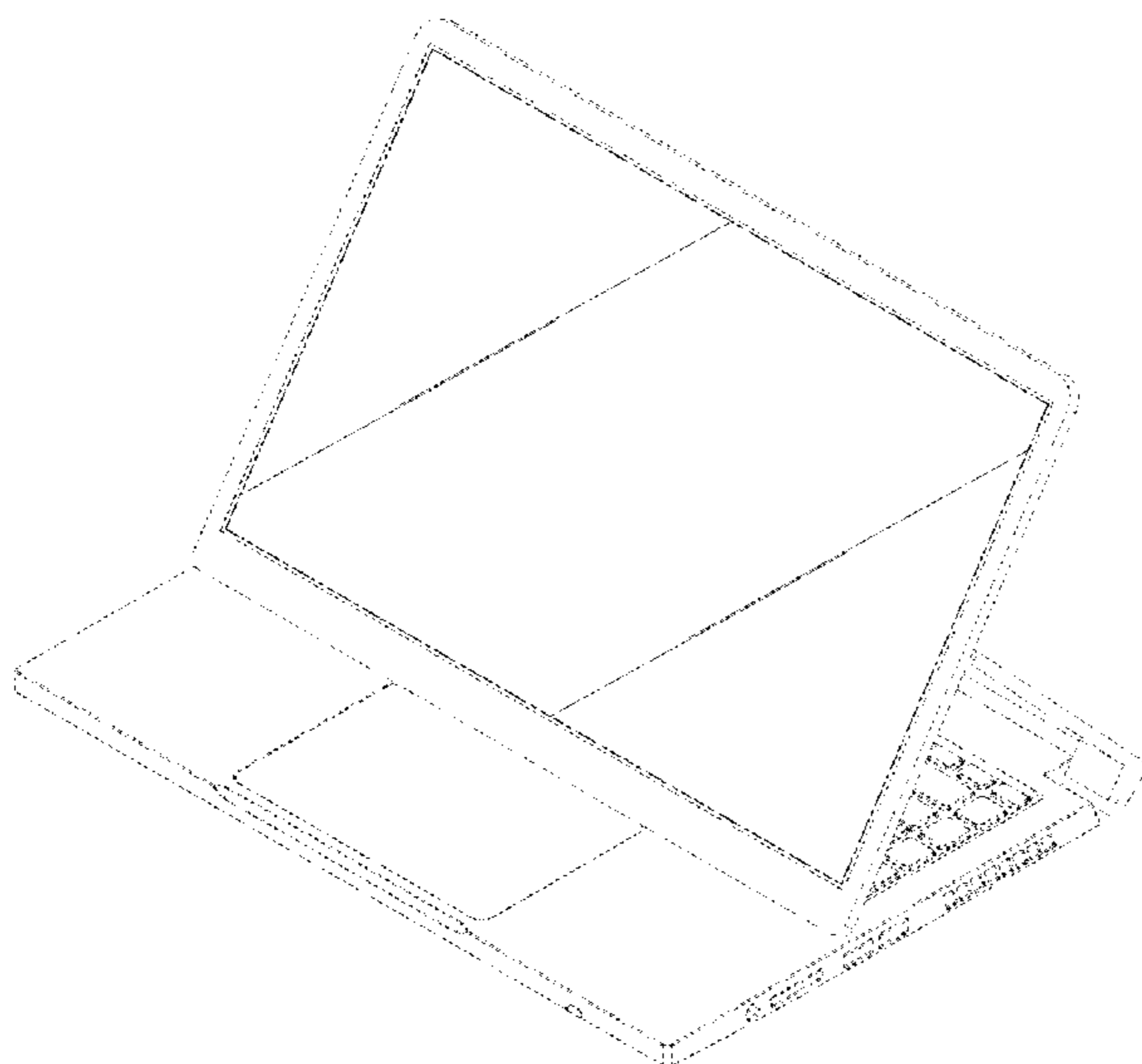
The ornamental design for a notebook computer, as shown and described.

DESCRIPTION

FIG. 1 is a perspective view of a notebook computer showing our new design;
 FIG. 2 is another perspective view thereof;
 FIG. 3 is a front view thereof;
 FIG. 4 is a rear view thereof;
 FIG. 5 is a left side view thereof;
 FIG. 6 is a right side view thereof;
 FIG. 7 is a top view thereof;
 FIG. 8 is a bottom view thereof;
 FIG. 9 is a perspective view thereof shown in an alternate position;
 FIG. 10 is another perspective view thereof shown in an alternate position;
 FIG. 11 is a perspective view thereof shown in another alternate position; and,
 FIG. 12 is a perspective view thereof showing the notebook computer in a closed status.

The even-dash broken lines illustrate portions of the notebook computer that form no part of the claimed design. The dot-dash broken lines define the bounds of the claimed design and form no part thereof.

1 Claim, 10 Drawing Sheets



(58) **Field of Classification Search**

USPC D14/337, 341, 345–346, 357, 367, 371,
 D14/373–374, 376, 439–440, 487, 495;
 D24/160, 185–186; D21/324, 329–330,
 D21/332, 515; D10/70–72, 104.1, 106.1,
 D10/106.95, 108–109.2
 CPC G06F 1/1641; G06F 1/1652; G06F 1/1618;
 G06F 1/1649; G06F 1/1616
 See application file for complete search history.

D942,975 S * 2/2022 Huang D14/316
 D948,500 S * 4/2022 Huang D14/316
 D949,845 S * 4/2022 Wu D14/316
 2011/0205372 A1* 8/2011 Miramontes G06F 1/1616
 361/679.01
 2013/0044103 A1* 2/2013 Lee H04N 13/346
 345/419
 2013/0069878 A1* 3/2013 Li G06F 1/1616
 345/168
 2014/0293525 A1* 10/2014 Tomita G06F 1/1662
 361/679.06
 2014/0340843 A1* 11/2014 Huang G06F 1/162
 361/679.55
 2016/0202733 A1* 7/2016 Ho G06F 1/1615
 361/679.12
 2016/0299533 A1* 10/2016 Mehandjiysky G06F 1/169
 2017/0168594 A1* 6/2017 Tsuji G06F 1/1616
 2017/0287385 A1* 10/2017 Lian G06F 1/1616
 2019/0258300 A1* 8/2019 Gerardi G06F 1/1679
 2020/0371563 A1* 11/2020 Collins H05K 7/16

(56) **References Cited**

U.S. PATENT DOCUMENTS

D413,583 S * 9/1999 Lin D14/321
 6,266,241 B1* 7/2001 Van Brocklin G06F 1/1669
 361/679.55
 6,341,061 B1* 1/2002 Eisbach G06F 1/166
 345/905
 6,384,811 B1* 5/2002 Kung G06F 1/1681
 345/905
 6,667,878 B2* 12/2003 Ponx G06F 1/1649
 361/679.04
 D678,877 S * 3/2013 Groene D14/341
 8,531,827 B2* 9/2013 Huang G06F 1/1654
 361/679.29
 D706,761 S * 6/2014 Lee D14/315
 D707,222 S * 6/2014 Lee D14/315
 D712,897 S * 9/2014 Lee D14/316
 8,867,775 B2* 10/2014 Vissia H04R 1/028
 381/387
 D768,621 S * 10/2016 Park D14/315
 D783,598 S * 4/2017 Bai D14/315
 D783,599 S * 4/2017 Bai D14/315
 D820,828 S * 6/2018 Li D14/316
 D845,947 S * 4/2019 Raken D14/341
 D872,077 S * 1/2020 Raken D14/341
 D873,816 S * 1/2020 Wu D14/315
 D888,709 S * 6/2020 Kang D14/327
 10,860,065 B2* 12/2020 Seibert G06F 1/1618
 D912,657 S * 3/2021 Moser D14/315
 D926,751 S * 8/2021 Collins D14/320
 D934,854 S * 11/2021 Chu D14/315
 D942,443 S * 2/2022 Liu D14/315

FOREIGN PATENT DOCUMENTS

CN 306662542 * 7/2021
 CN 307107760 * 2/2022
 EM 008038079-0001 * 7/2020
 KR 300631863.0000 * 2/2012
 KR 300631864.0000 * 3/2012
 KR 300631866.0000 * 3/2012
 KR 300649255.0000 * 6/2012
 KR 300672570.0000 * 12/2012
 TW 198215-0001 * 6/2019
 TW D200655 11/2019
 TW D202066 1/2020
 TW 212174-0001 * 6/2021
 TW 213229-0001 * 8/2021

OTHER PUBLICATIONS

ThinkBook Plus, Lenovo, anandtech.com, published by Anton Silov on Jan. 7, 2020 © 2022, online, site visited Jun. 6, 2022. Available at URL: <https://www.anandtech.com/show/15322/ces-2020-lenovos-dualscreen-thinkbook-plus-w-comet-lake> (Year: 2020).*

* cited by examiner

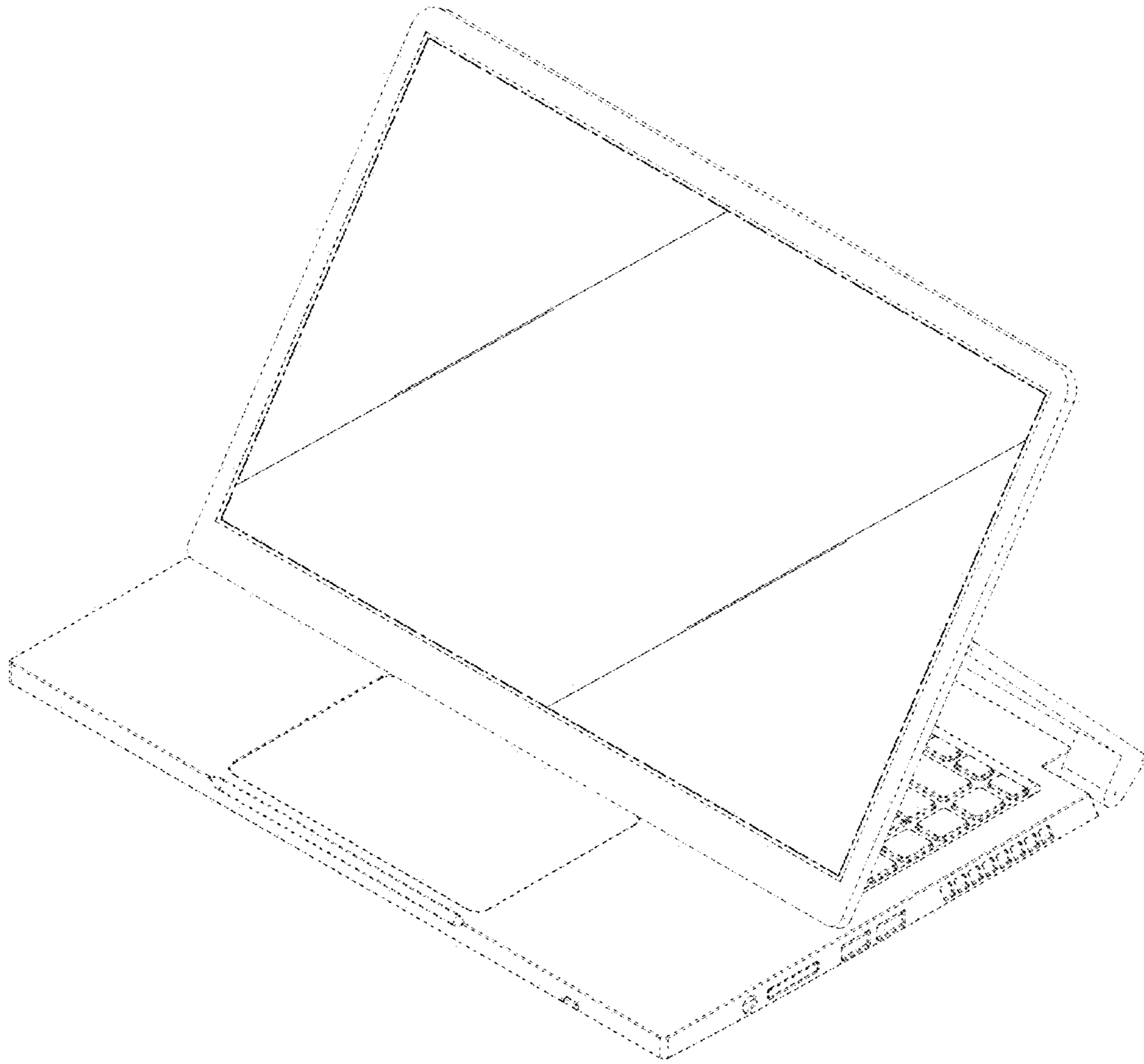


FIG. 1

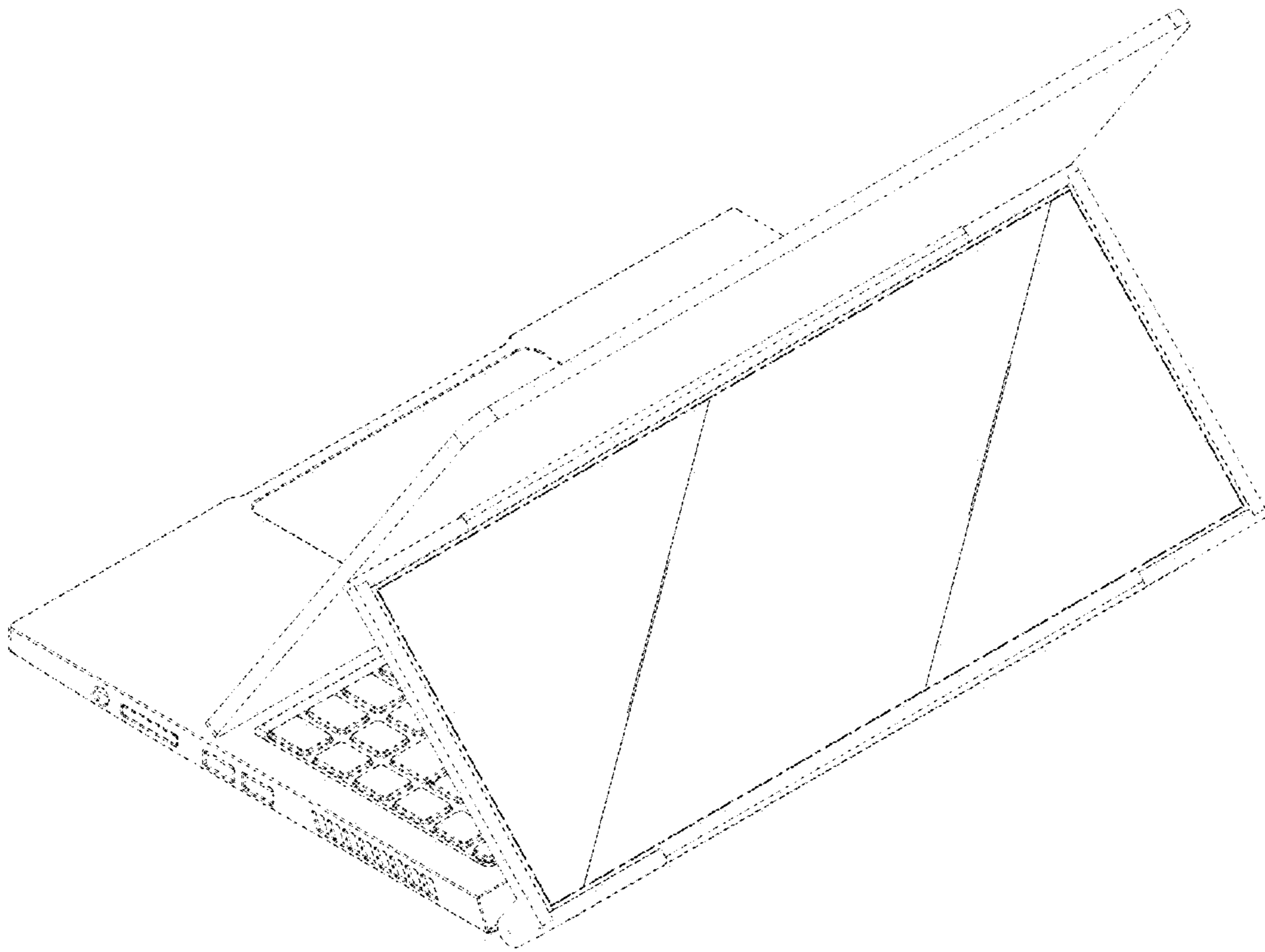


FIG. 2

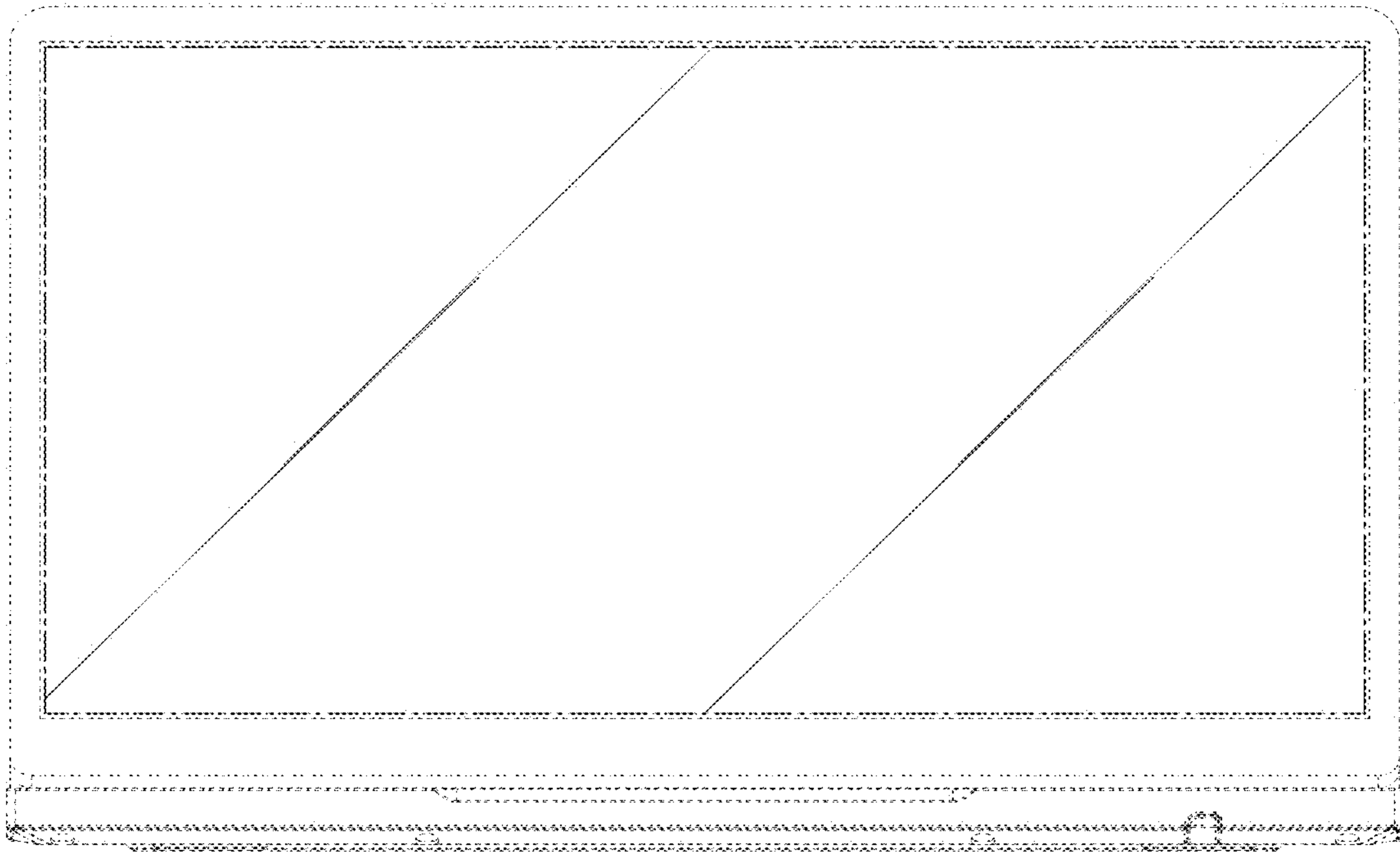


FIG. 3

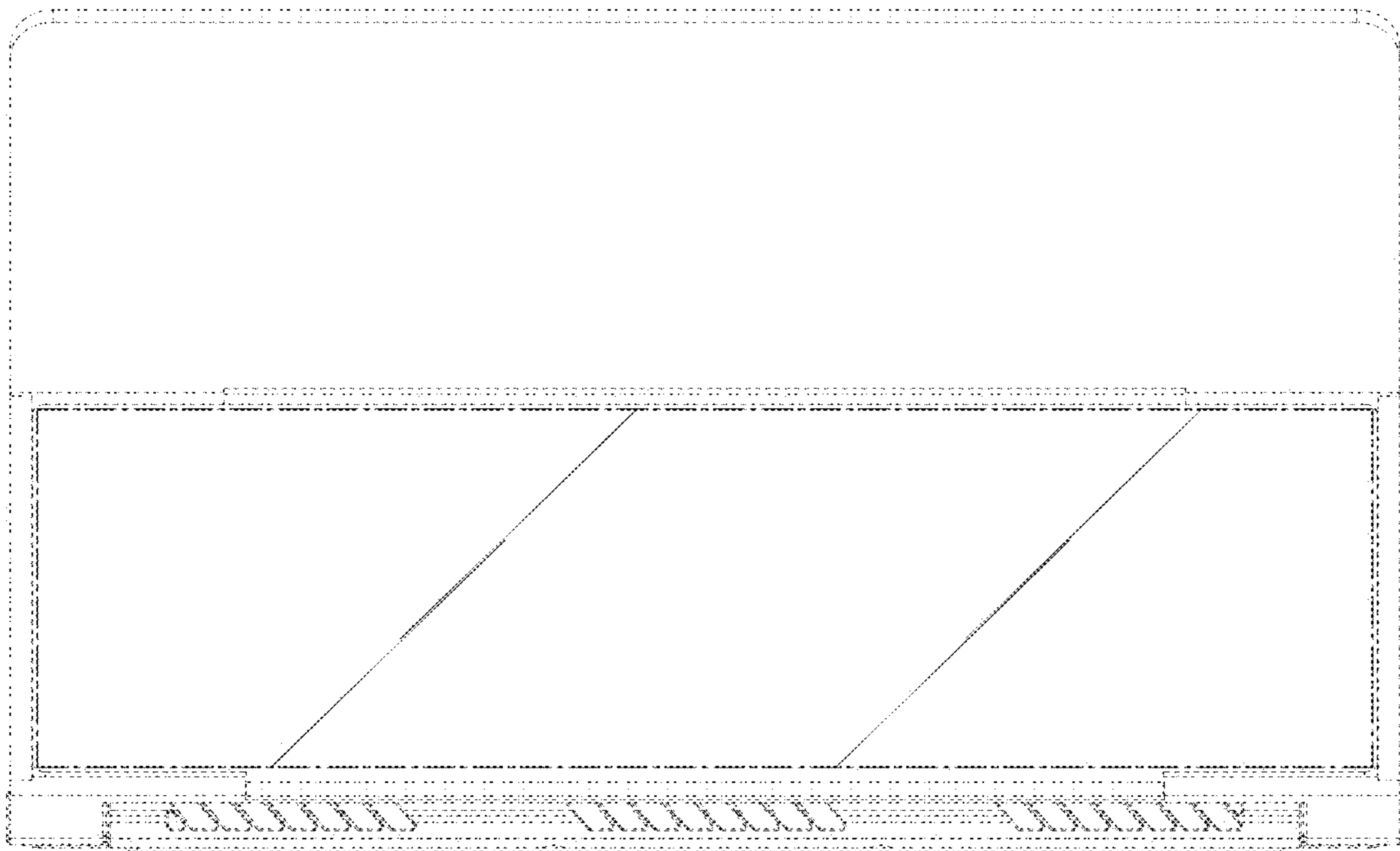


FIG. 4

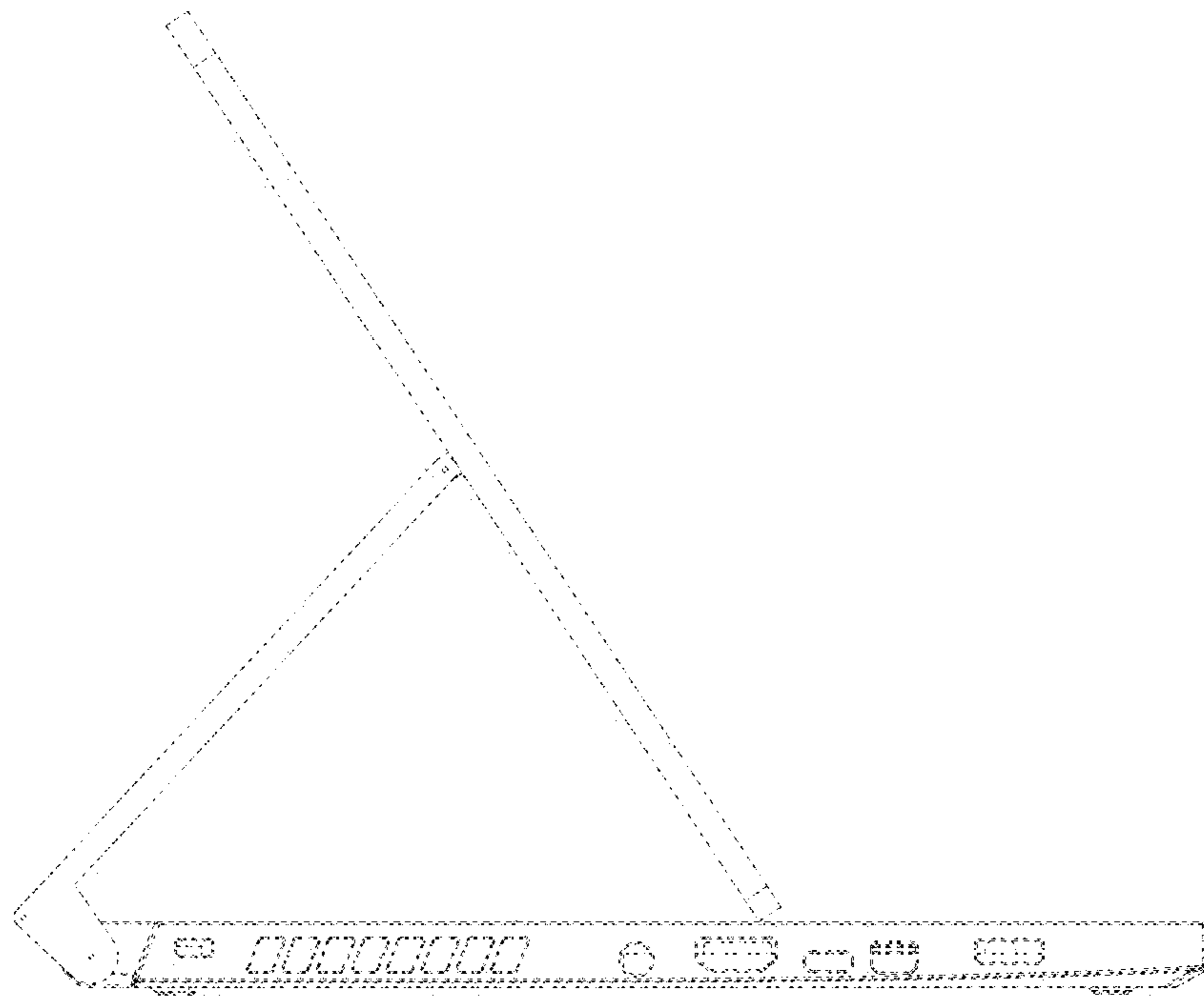


FIG. 5

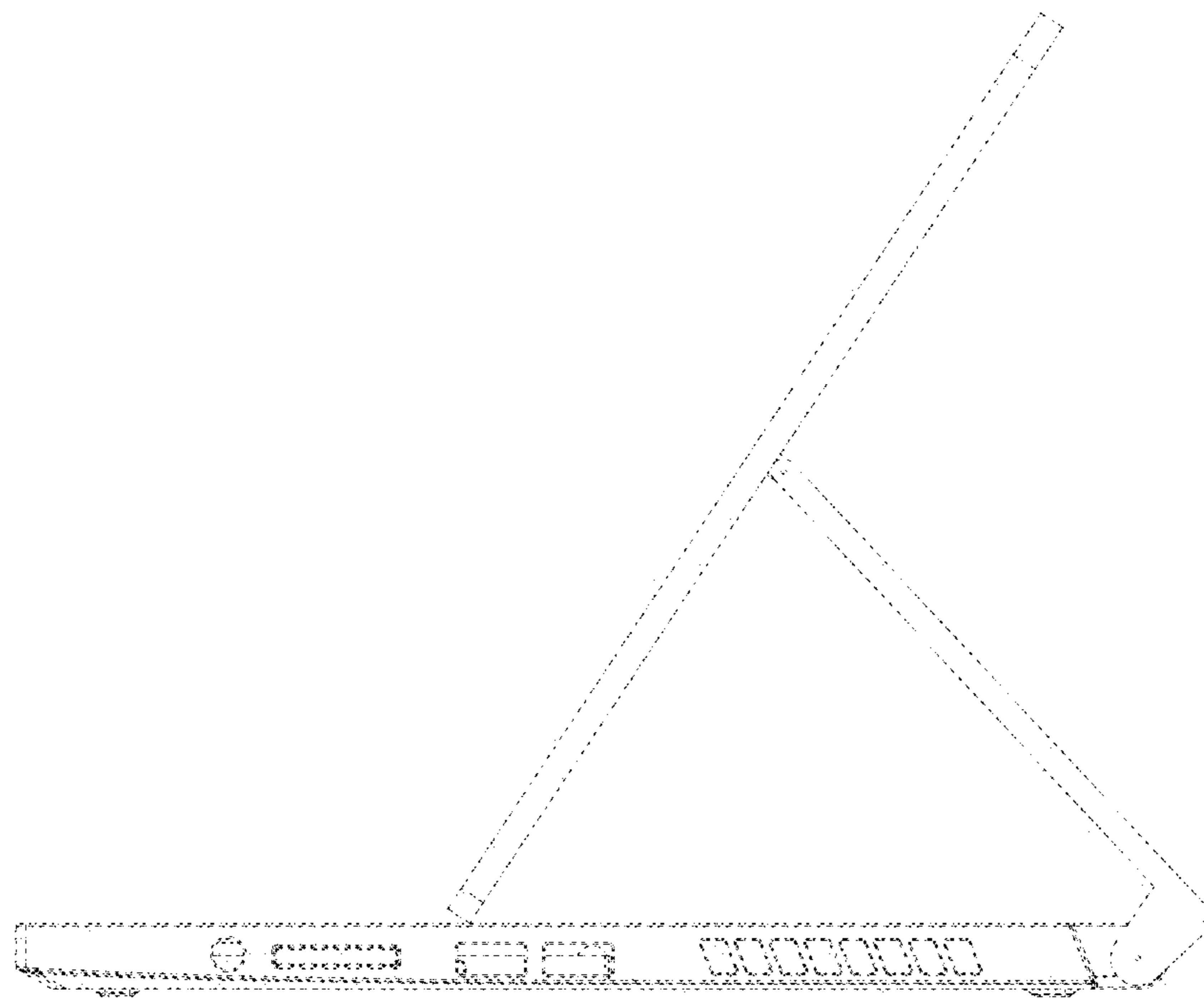


FIG. 6

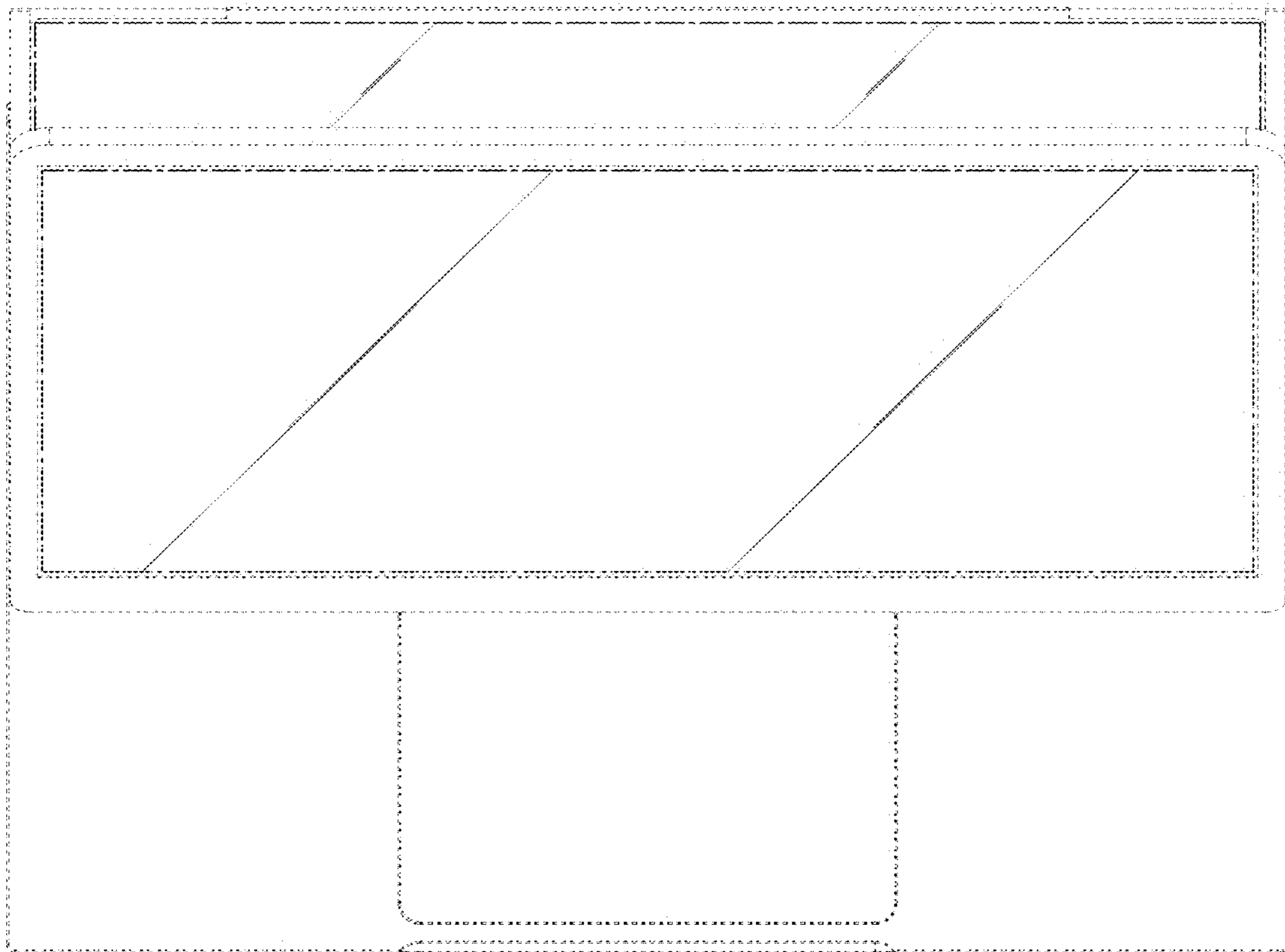


FIG. 7

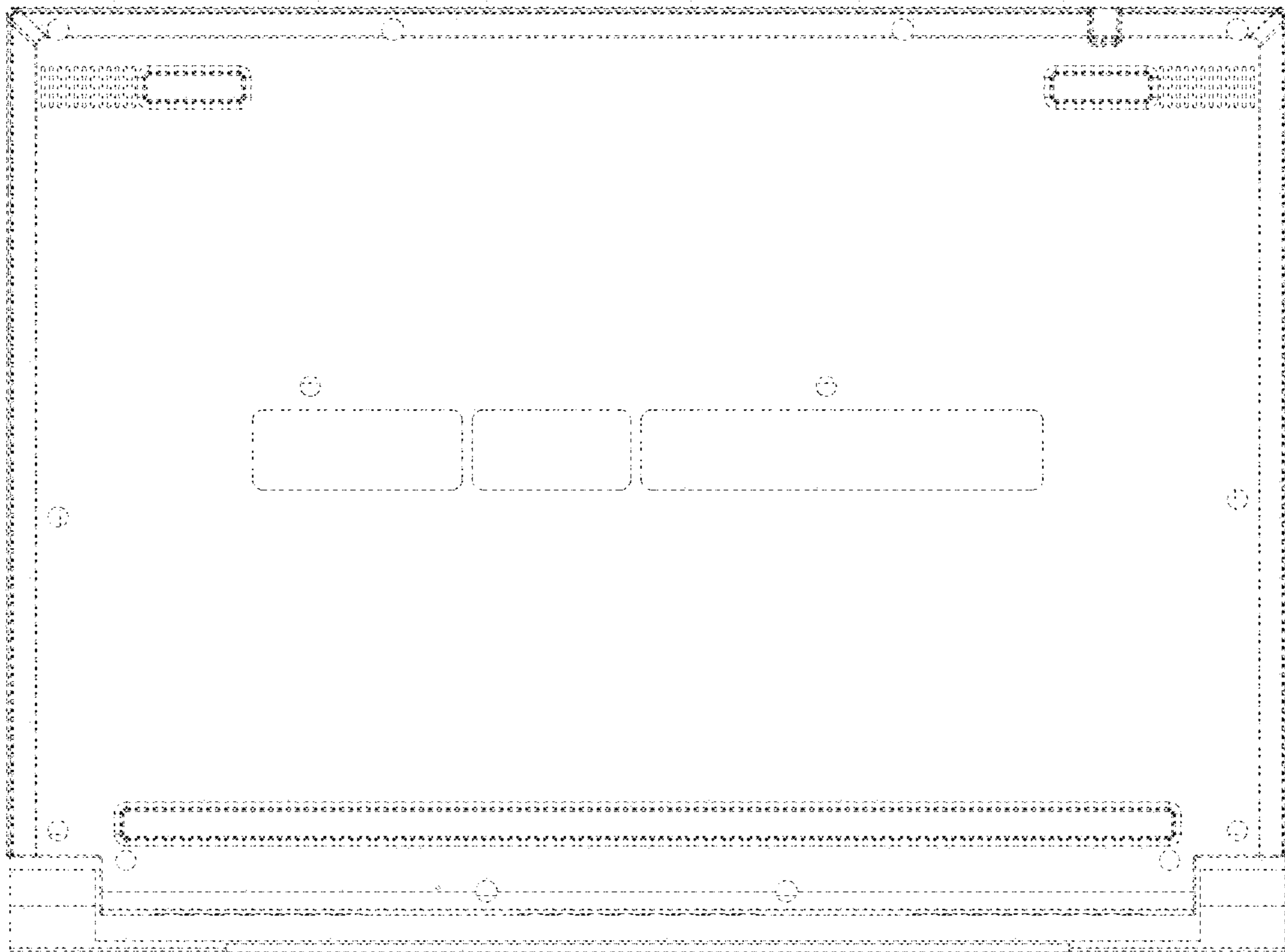


FIG. 8

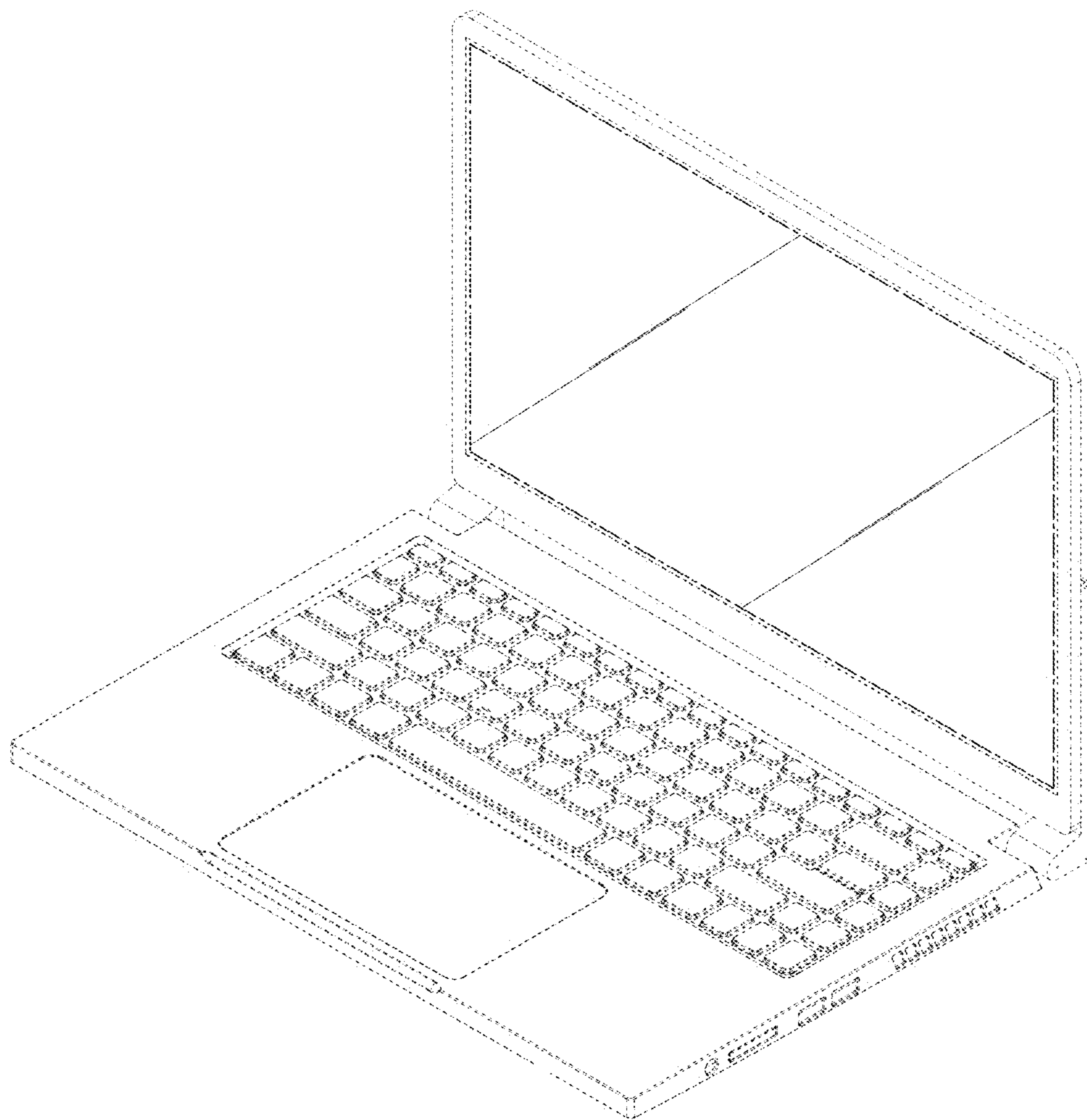


FIG. 9

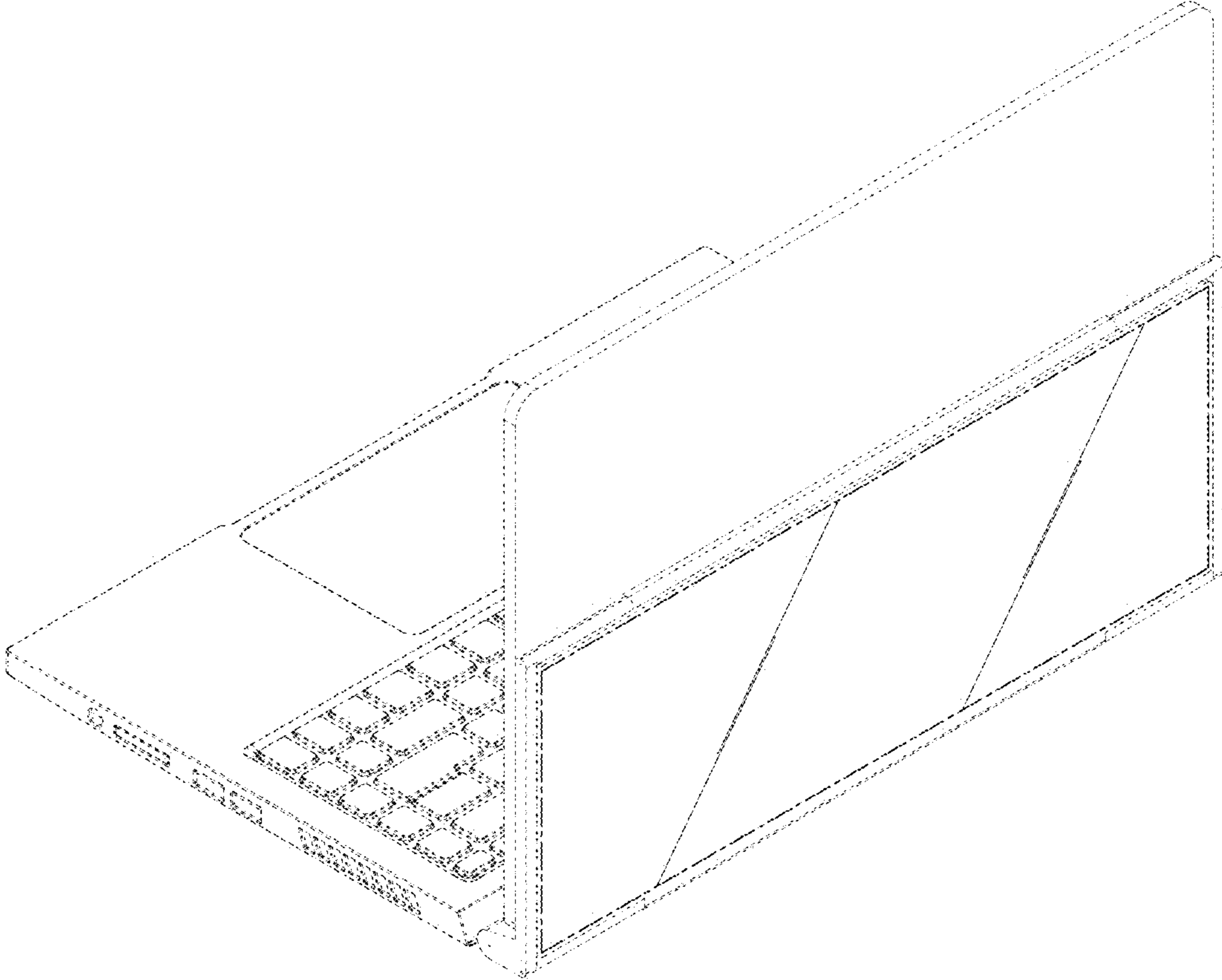


FIG. 10

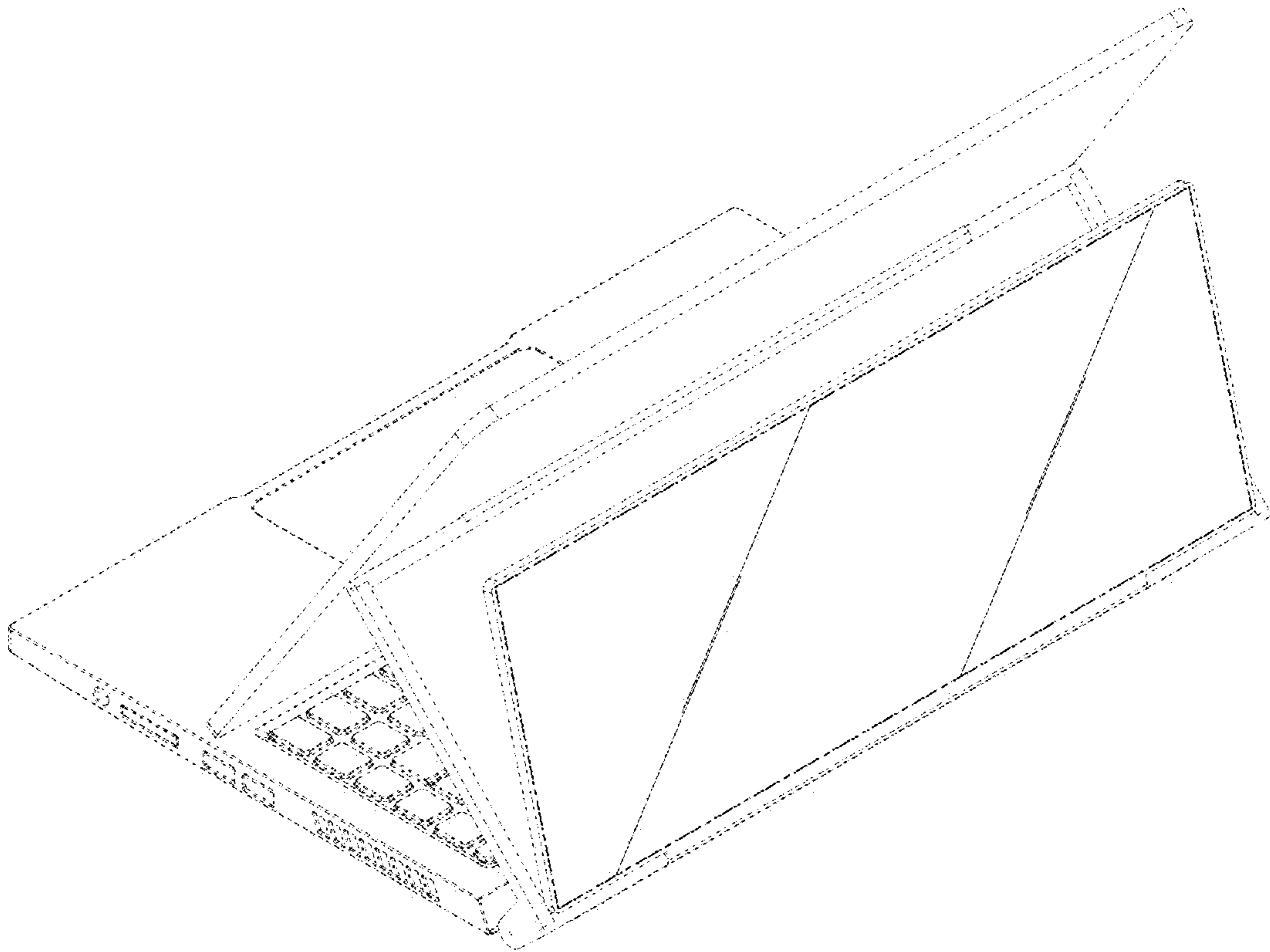


FIG. 11

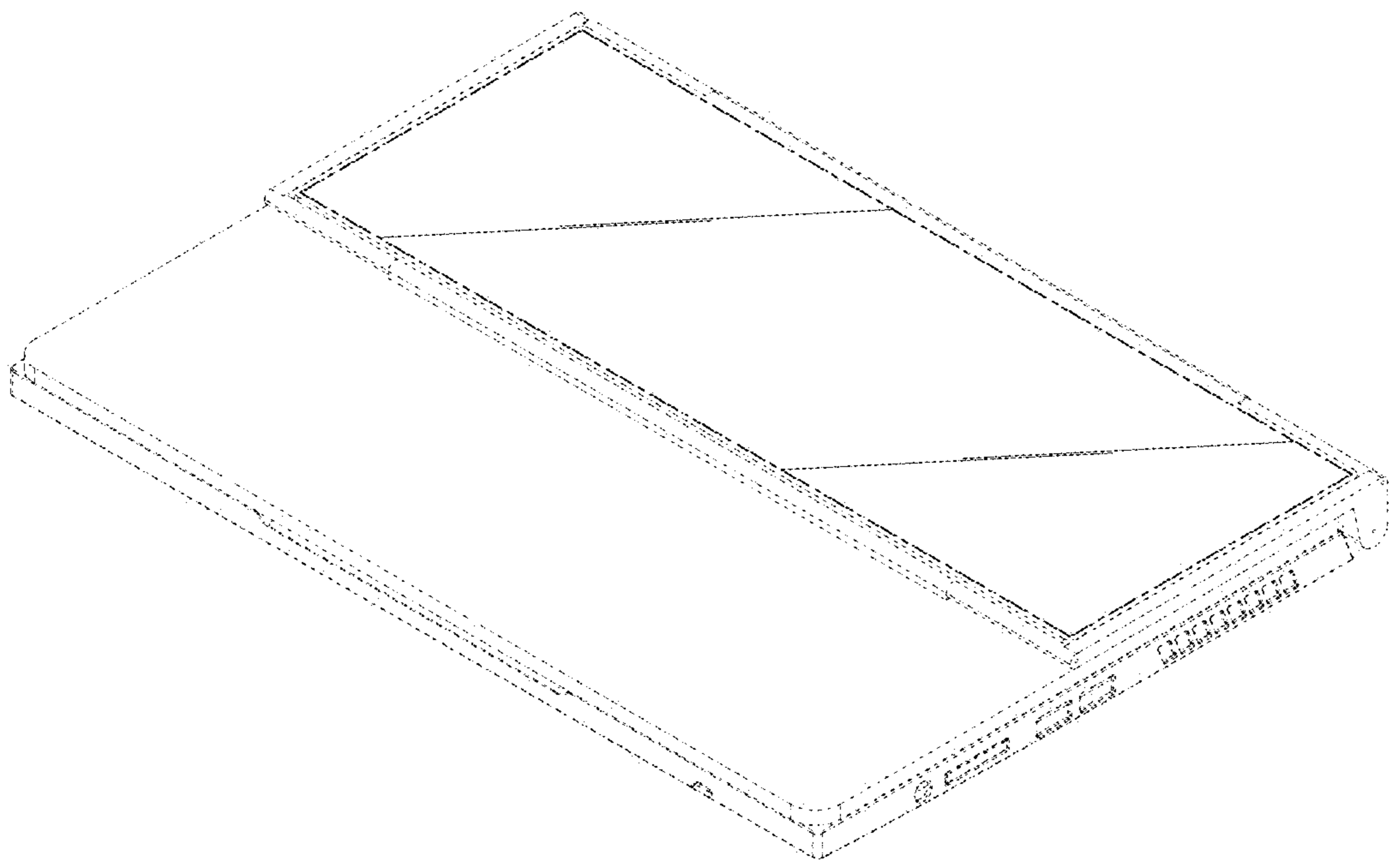


FIG. 12