



US00D982573S

(12) **United States Design Patent** (10) **Patent No.:** **US D982,573 S**
Liao (45) **Date of Patent:** **** Apr. 4, 2023**

(54) **MOBILE PHONE STAND**
(71) Applicant: **DONGGUAN CHUANG LONG ELECTRONICS LIMITED,**
Dongguan (CN)

D896,177 S * 9/2020 Zheng D13/108
D900,087 S * 10/2020 Leeds-Frank D14/253
D908,689 S * 1/2021 Chen D14/253
D927,479 S * 8/2021 Wang D14/253
(Continued)

(72) Inventor: **Anzhang Liao,** Dongguan (CN)
(73) Assignee: **DONGGUAN CHUANG LONG ELECTRONICS LIMITED,**
Dongguan (CN)

FOREIGN PATENT DOCUMENTS

CN 307327145 * 5/2022

(**) Term: **15 Years**

Amazon.com_ Spidercase Phone Mount for Car, first available Oct. 17, 2022 [online], retrieved Nov. 17, 2022, available at URL: <https://a.co/d/bQPpNYW> (Year: 2022).*

(21) Appl. No.: **29/800,945**

(Continued)

(22) Filed: **Jul. 26, 2021**

(51) **LOC (14) Cl.** **14-06**

(52) **U.S. Cl.**

USPC **D14/253**

(58) **Field of Classification Search**

USPC D14/250, 251, 252, 253, 440, 447, 451;
D12/114, 223, 400, 407, 425; D13/108
CPC B62J 50/225; H04M 1/06; H04M 1/04;
B60R 11/0241

See application file for complete search history.

Primary Examiner — Wendy L Arminio
Assistant Examiner — Carrie S Gelula

(57) **CLAIM**

The ornamental design for a mobile phone stand, as shown and described.

DESCRIPTION

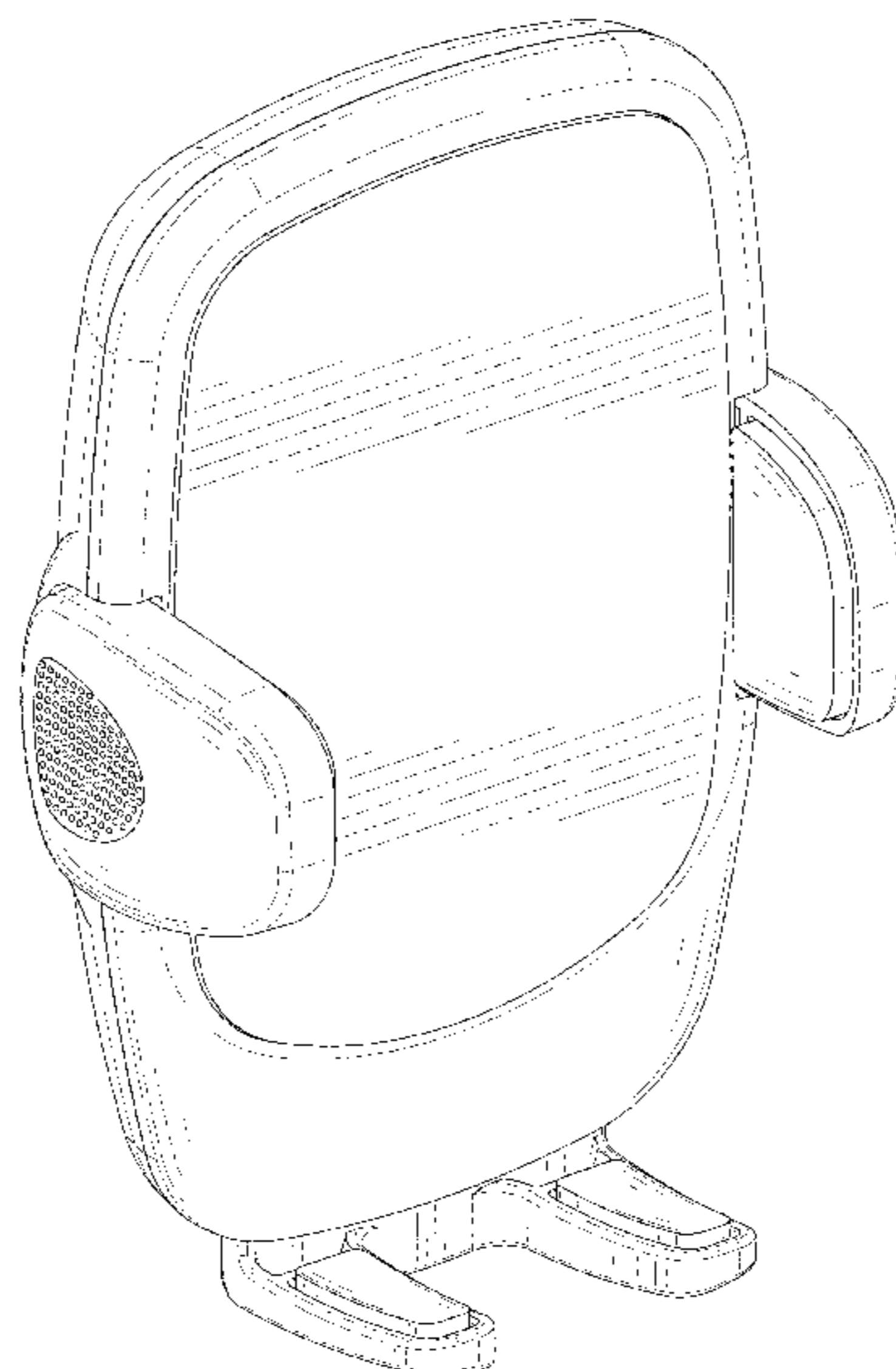
FIG. 1 is a perspective view of a mobile phone stand showing my new design;
FIG. 2 is another perspective view thereof;
FIG. 3 is a front elevational view thereof;
FIG. 4 is a rear elevational view thereof;
FIG. 5 is a left side elevational view thereof;
FIG. 6 is a right side elevational view thereof;
FIG. 7 is a top plan view thereof;
FIG. 8 is a bottom plan view thereof; and,
FIG. 9 is an enlarged view of portion 9 shown in FIG. 2.
The dash-dash broken lines in the drawings depict portions of the mobile phone stand that form no part of the claimed design. The dot-dash broken lines represent boundaries of the enlarged portion and form no part of the claimed design.

(56) **References Cited**

U.S. PATENT DOCUMENTS

D529,905 S * 10/2006 Richter D14/447
D566,118 S * 4/2008 Brassard D14/434
D752,571 S * 3/2016 Richter D14/253
D859,393 S * 9/2019 Dang D12/415
D861,670 S * 10/2019 Li D14/447
D875,090 S * 2/2020 Leeds-Frank D14/253
D877,688 S * 3/2020 Liu D12/415
D881,200 S * 4/2020 Leeds-Frank D14/447
D887,417 S * 6/2020 Yarbough D14/447
D889,454 S * 7/2020 Liu D14/253
D892,787 S * 8/2020 Chen D14/253
D894,829 S * 9/2020 Zhang D13/108
D895,601 S * 9/2020 Liao D14/253
D895,602 S * 9/2020 Cheng D14/253

1 Claim, 9 Drawing Sheets



(56)

References Cited

U.S. PATENT DOCUMENTS

D927,480 S * 8/2021 Wang D14/253
D928,140 S * 8/2021 Wang D14/253
D931,204 S * 9/2021 Liao D13/108
D933,646 S * 10/2021 Liao D12/415
D934,235 S * 10/2021 Liao D12/415
D955,980 S * 6/2022 Zhao D13/108
2019/0283685 A1 * 9/2019 Zhang H04B 1/082

OTHER PUBLICATIONS

Amazon.com_ HTU Cell Phone Holder for Car, first available Jun. 12, 2021 [online], retrieved Nov. 17, 2022, available at URL: <https://a.co/d/eSGfb4w> (Year: 2021).*

* cited by examiner

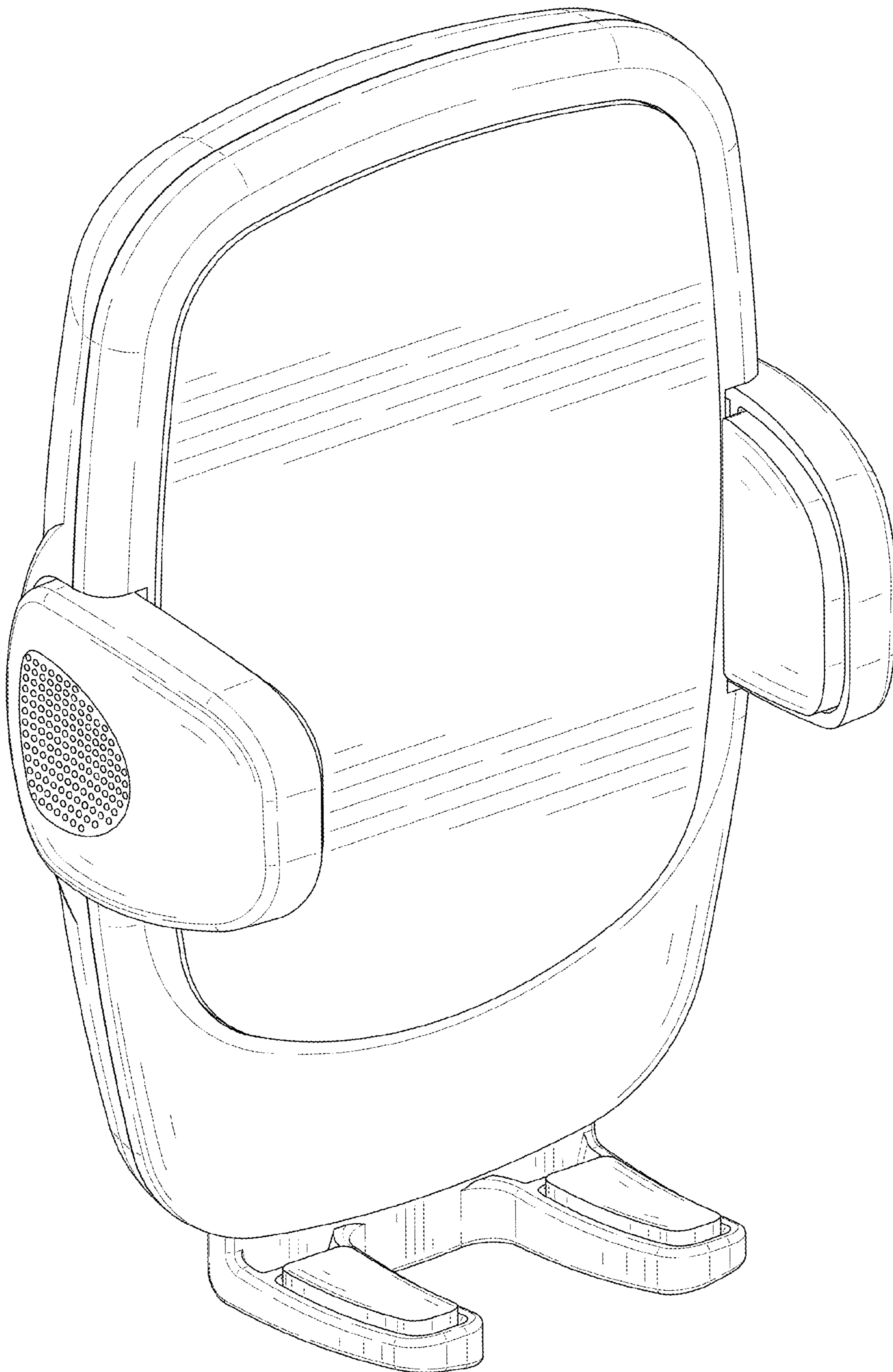


FIG. 1

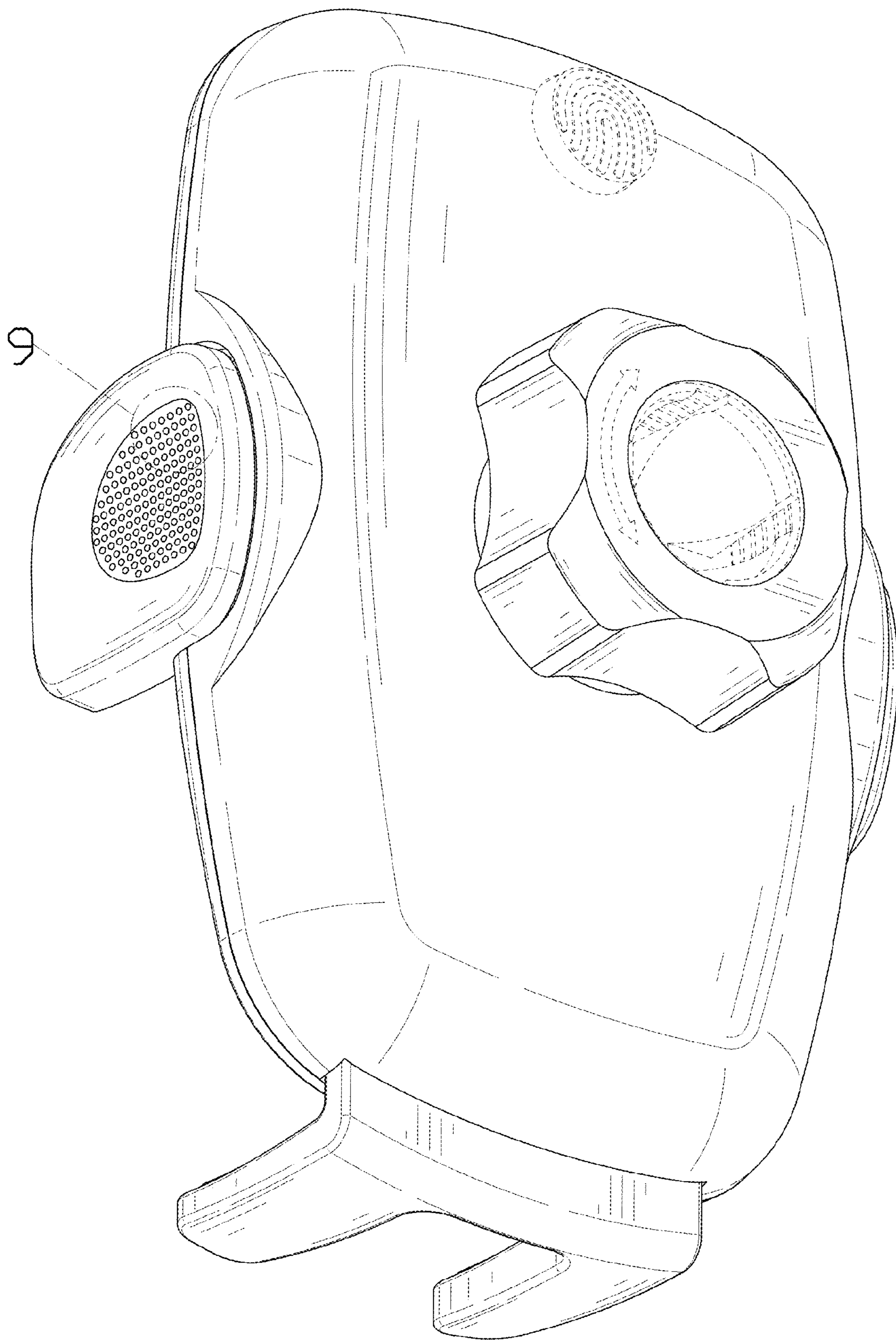


FIG. 2

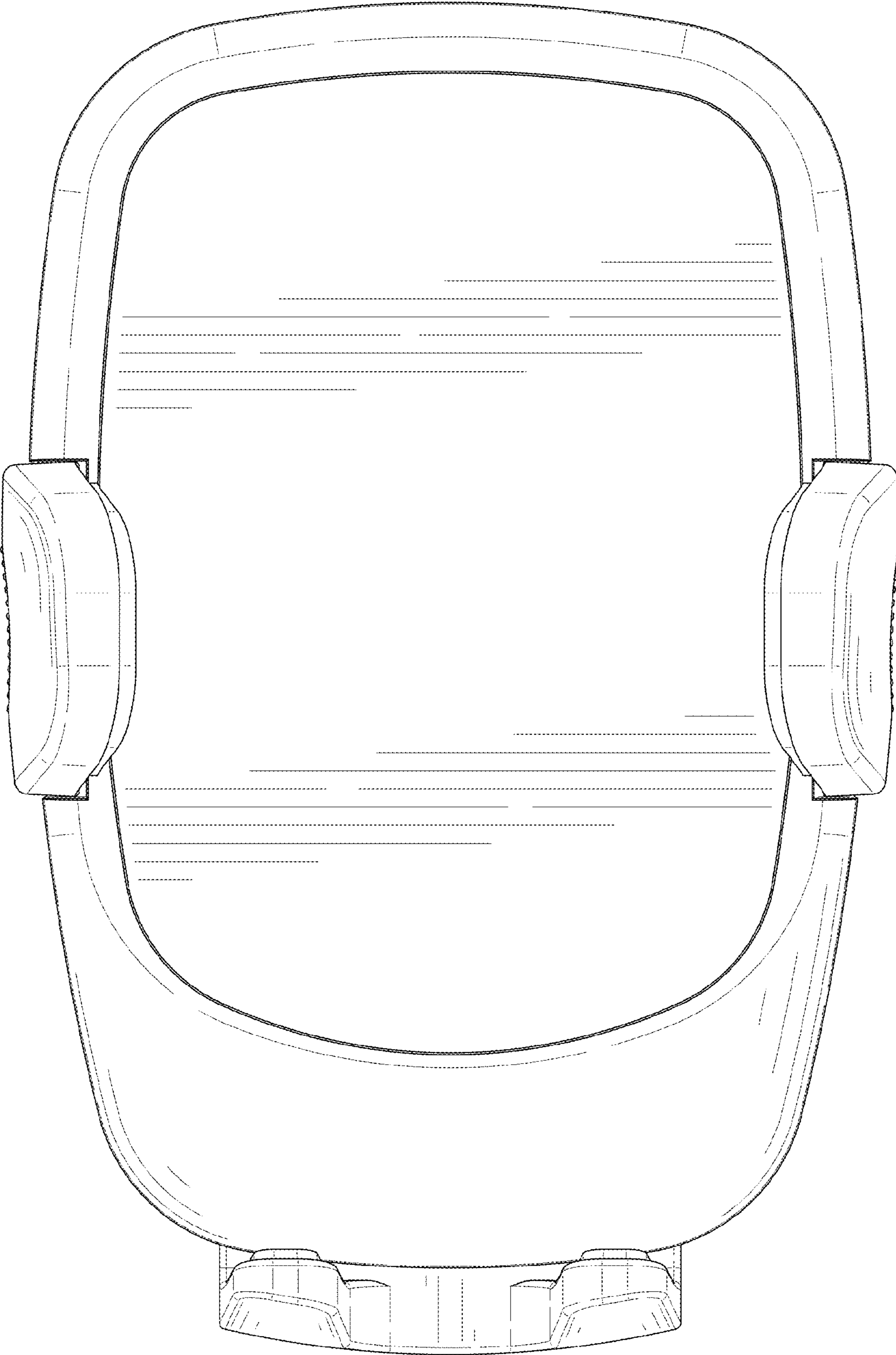


FIG. 3

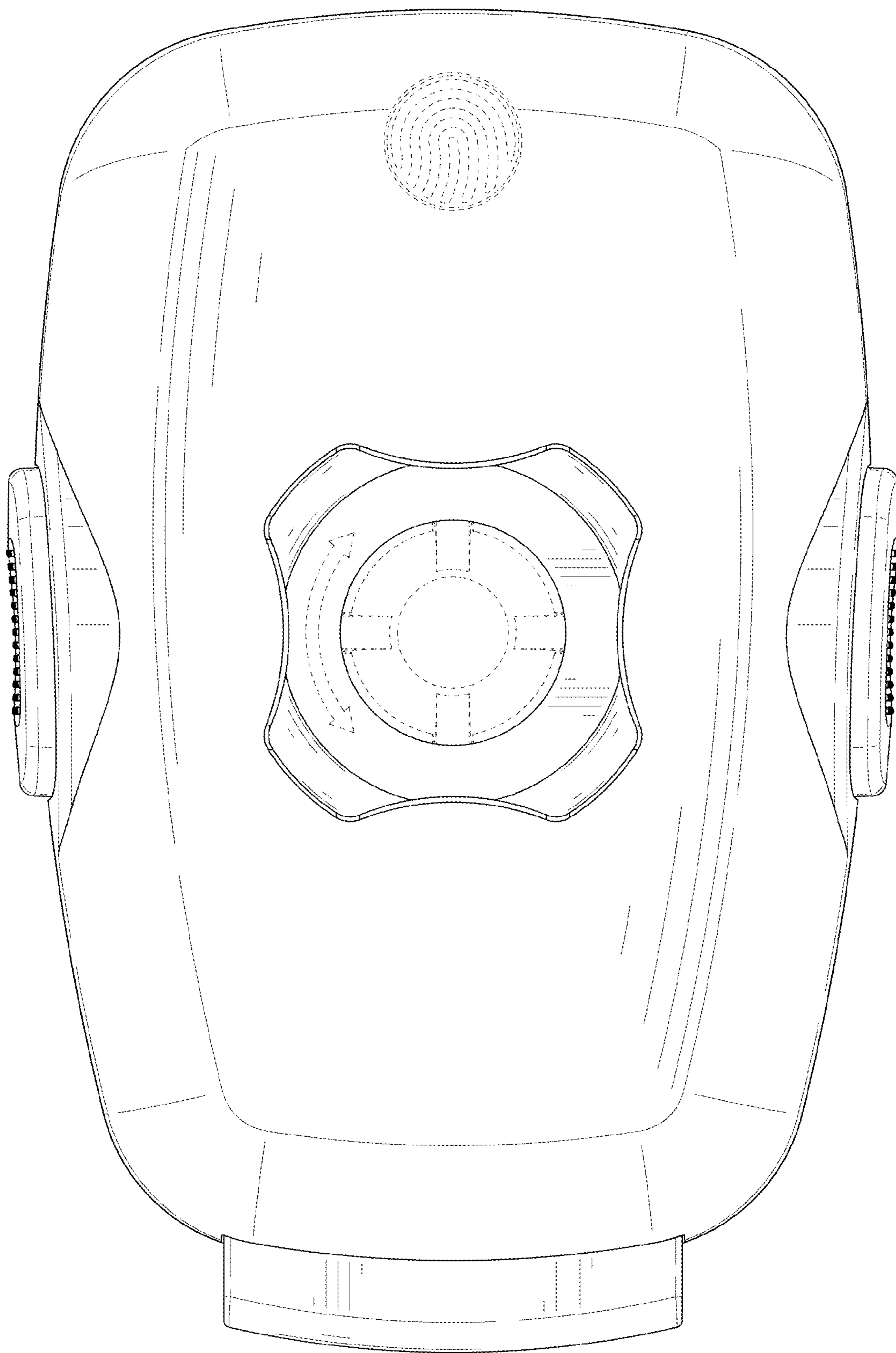


FIG. 4

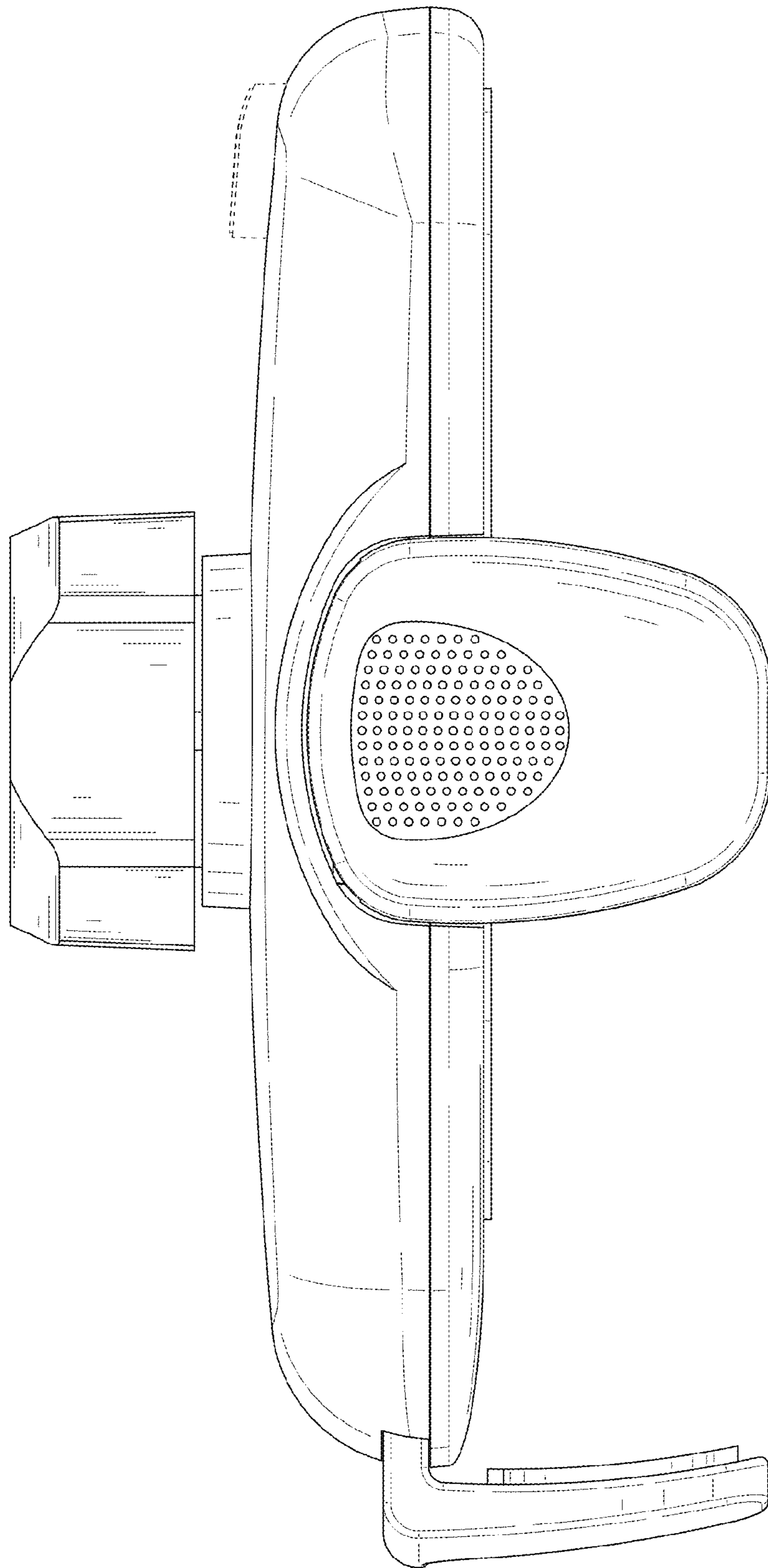


FIG. 5

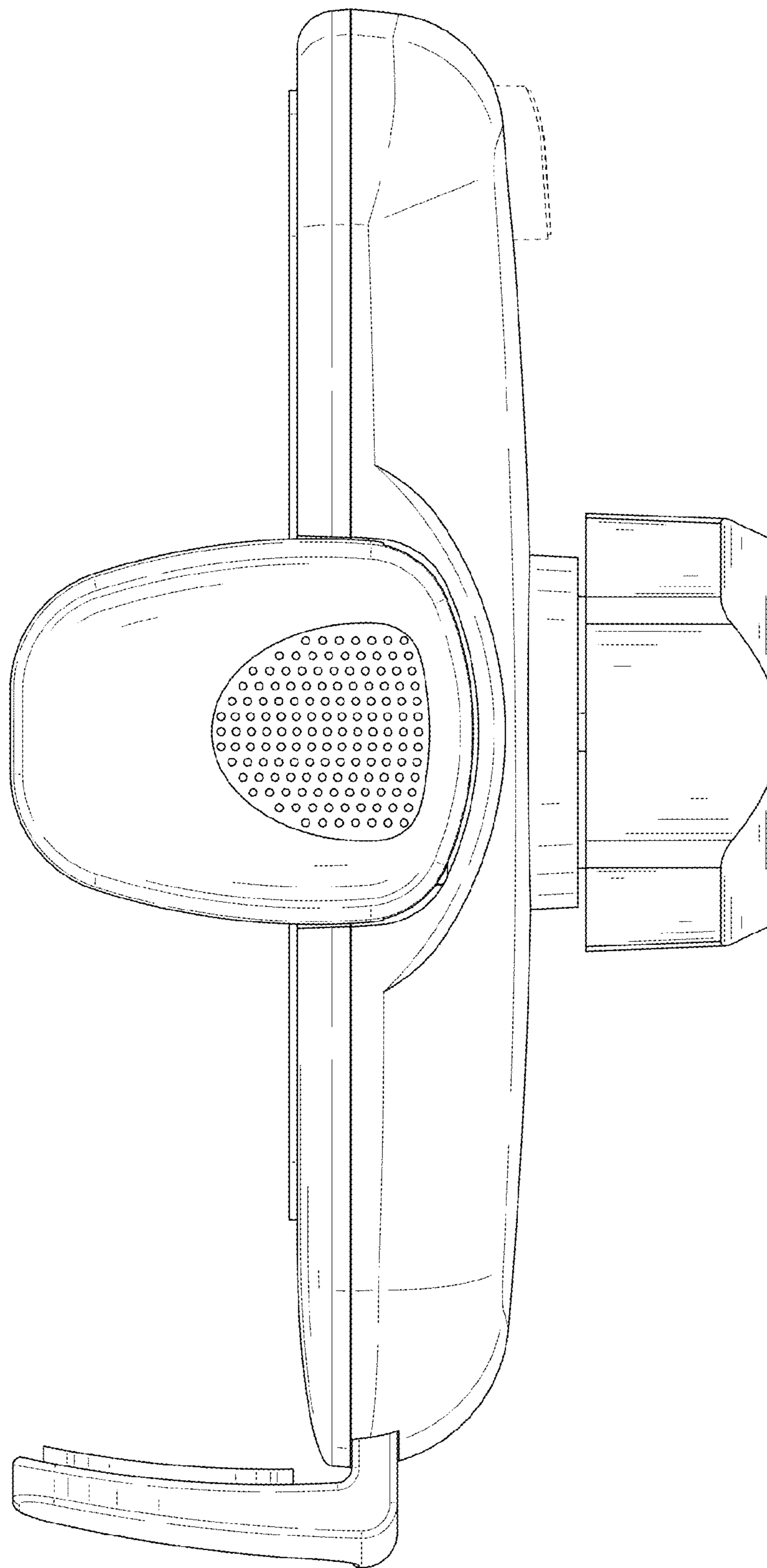


FIG. 6

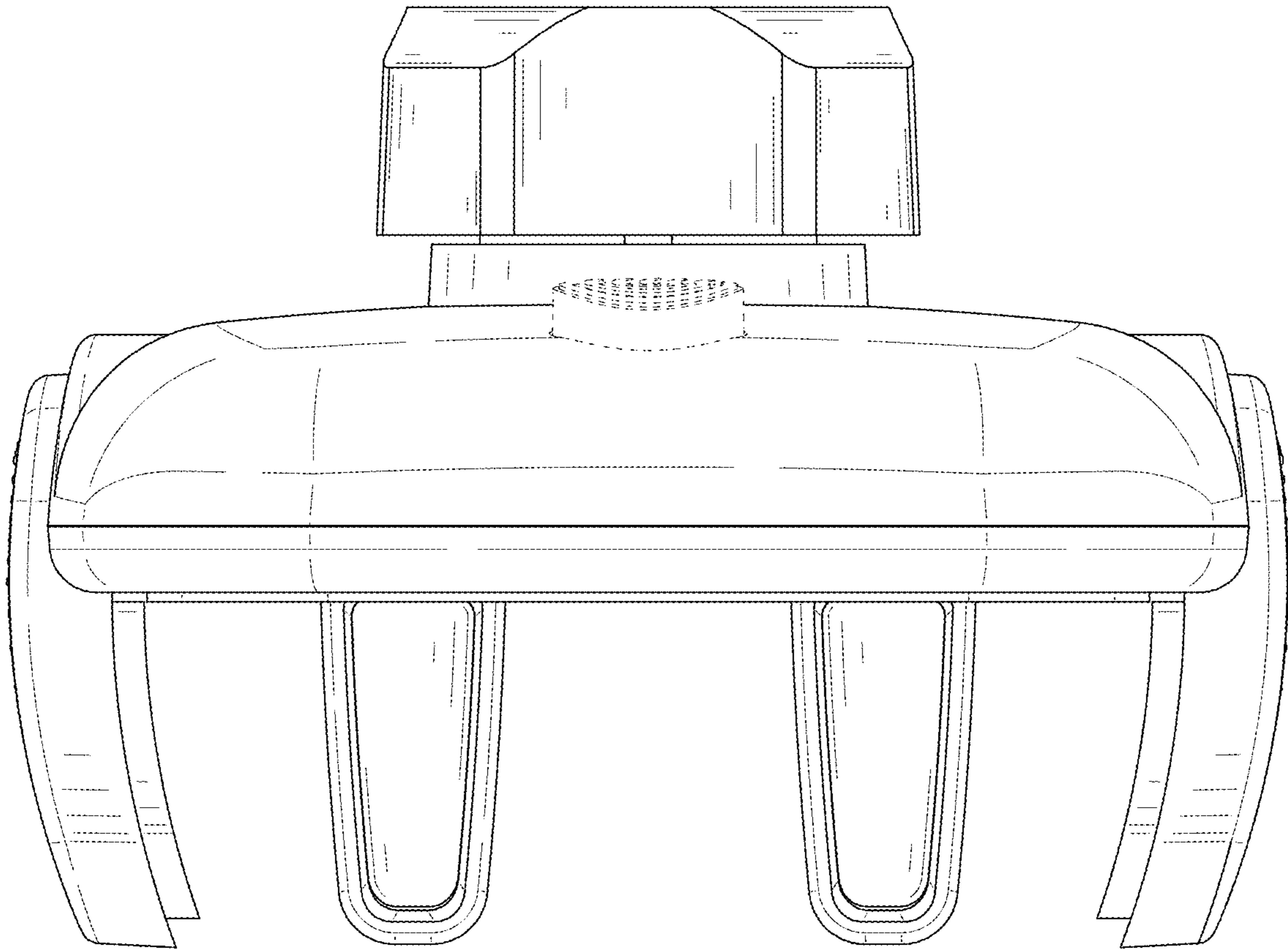


FIG. 7

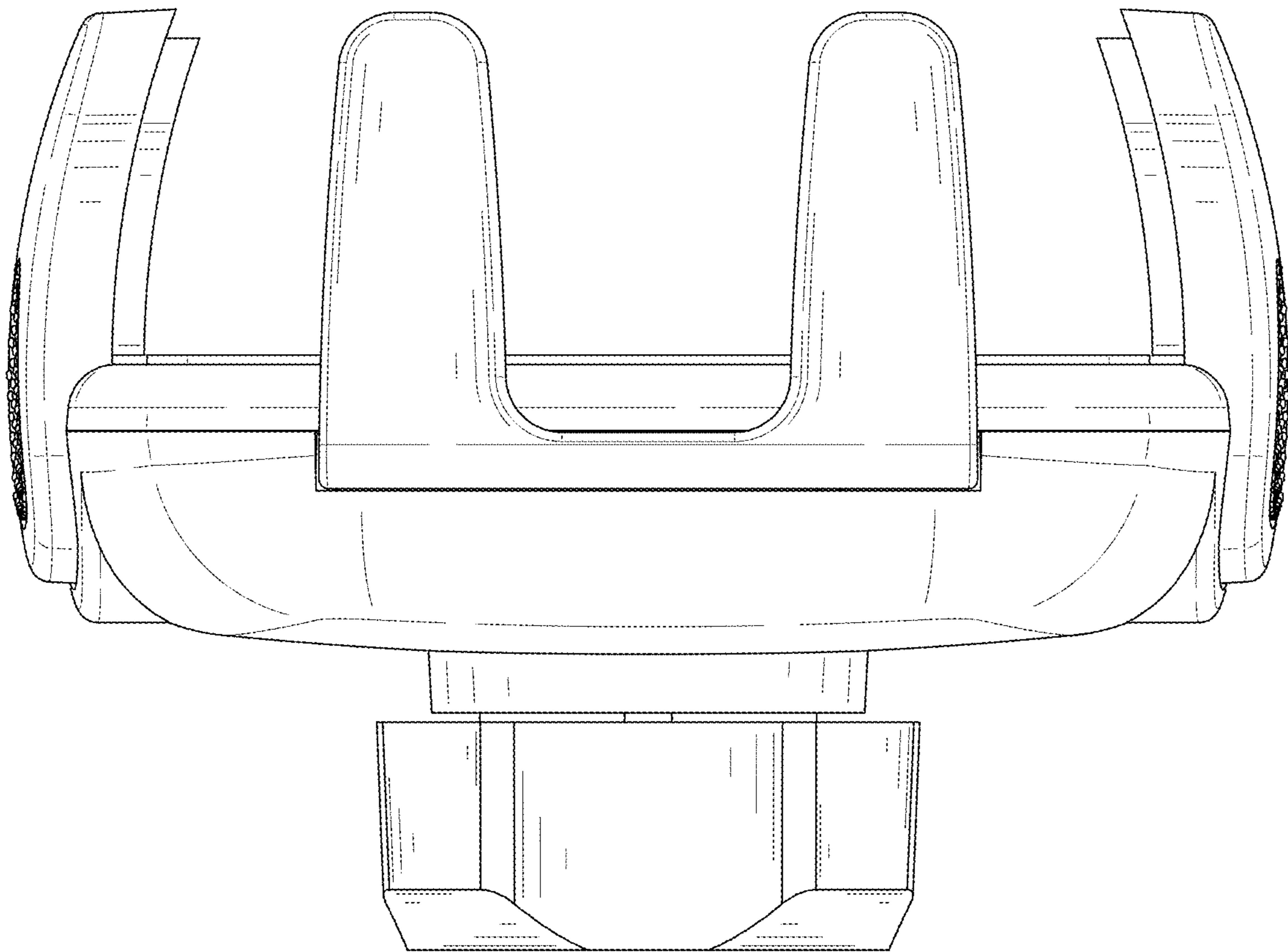


FIG. 8

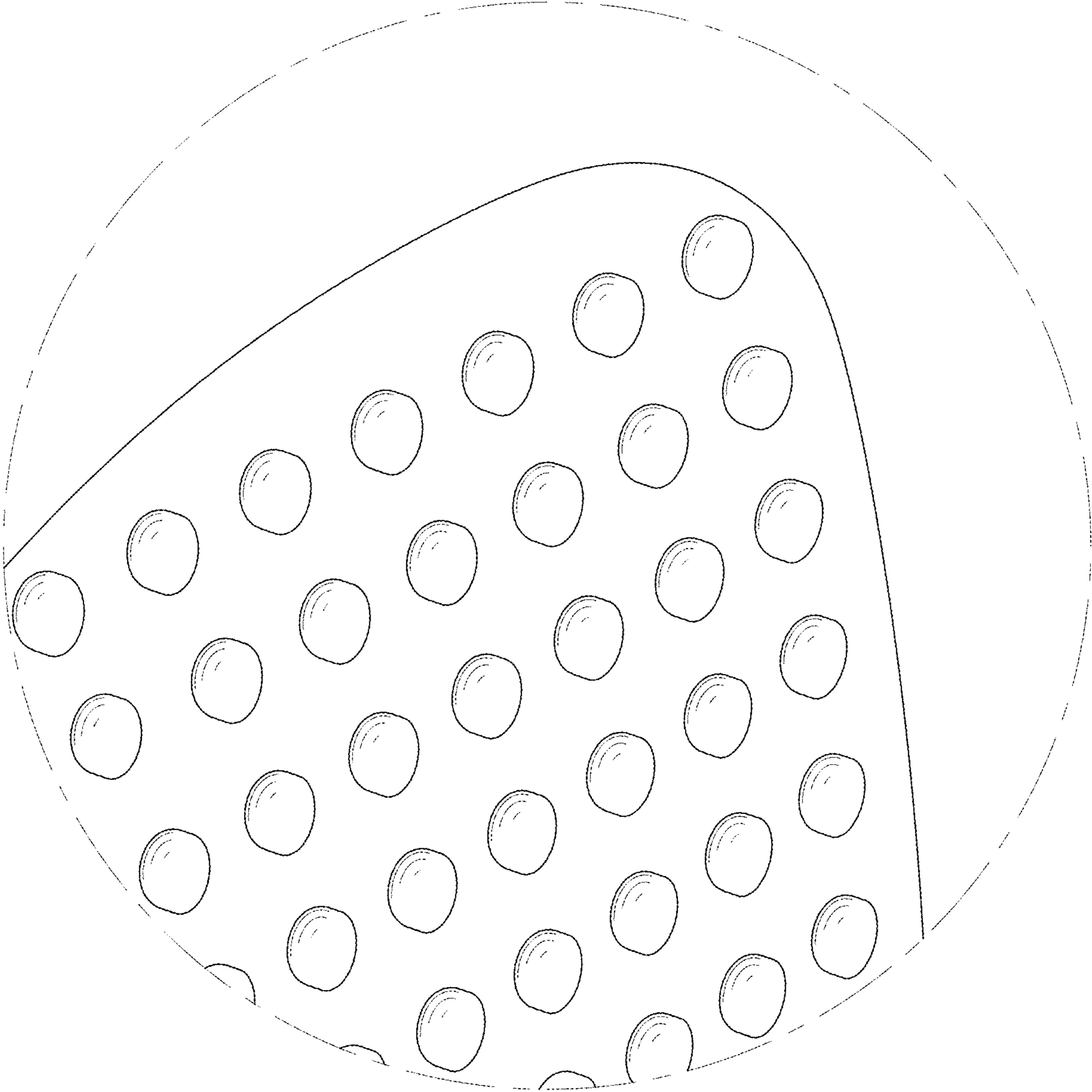


FIG. 9