



US00D982572S

(12) **United States Design Patent** (10) **Patent No.:** **US D982,572 S**  
**Liu** (45) **Date of Patent:** **\*\* Apr. 4, 2023**

(54) **MOBILE PHONE HOLDER**  
(71) Applicant: **Xiuxi Liu**, Guangdong (CN)  
(72) Inventor: **Xiuxi Liu**, Guangdong (CN)  
(73) Assignee: **DONGGUAN DONGDING ART & CRAFT CO., LTD**, Guangdong (CN)

D719,951 S \* 12/2014 Fenton ..... D14/253  
D770,171 S \* 11/2016 Lai ..... D3/218  
D879,753 S \* 3/2020 Boggs ..... D14/230  
D910,612 S \* 2/2021 Xiao ..... D14/253  
D916,694 S \* 4/2021 Xiao ..... D14/253  
D936,645 S \* 11/2021 Deng ..... D12/114  
D941,827 S \* 1/2022 You ..... D14/447  
D959,420 S \* 8/2022 Gan ..... D14/253

(Continued)

(\*\*) Term: **15 Years**

**FOREIGN PATENT DOCUMENTS**

(21) Appl. No.: **29/766,163**

CN 306382901 \* 3/2021  
CN 306495698 \* 4/2021

(22) Filed: **Jan. 14, 2021**

(Continued)

(30) **Foreign Application Priority Data**

**OTHER PUBLICATIONS**

Oct. 10, 2020 (CN) ..... 202030601572.1

FUNPRAA Bike Phone Holder . . . [online]. Date first available Jun. 24, 2022. [Retrieved from the Internet Dec. 13, 2022.] <URL: <https://www.amazon.com/FUNPRAA-Bike-Phone-Holder-Motorcycle/dp/B0B4ZTLM9F?th=1> >.\*

(51) **LOC (14) Cl.** ..... **14-99**

(52) **U.S. Cl.**  
USPC ..... **D14/253**

(58) **Field of Classification Search**  
USPC .... D14/250–253, 224, 224.1, 432–434, 440, D14/447, 451, 452; D12/114, 415, 426.1, D12/223, 406, 407; D16/242, 244, 245; D3/218; D13/108  
CPC ..... B60R 11/00; B60R 11/02; B60R 11/0241; B60R 11/0252; B60R 2011/0003; B60R 2011/0005; B60R 2011/0008; H04M 1/04; F16M 11/00; F16M 11/04; F16M 11/041; F16M 11/06; H05K 5/0204; A45C 2011/002; A45F 2200/0516

*Primary Examiner* — Rebekah A Caruso  
(74) *Attorney, Agent, or Firm* — WPAT, PC

See application file for complete search history.

(57) **CLAIM**

The ornamental design for a mobile phone holder, as shown.

(56) **References Cited**

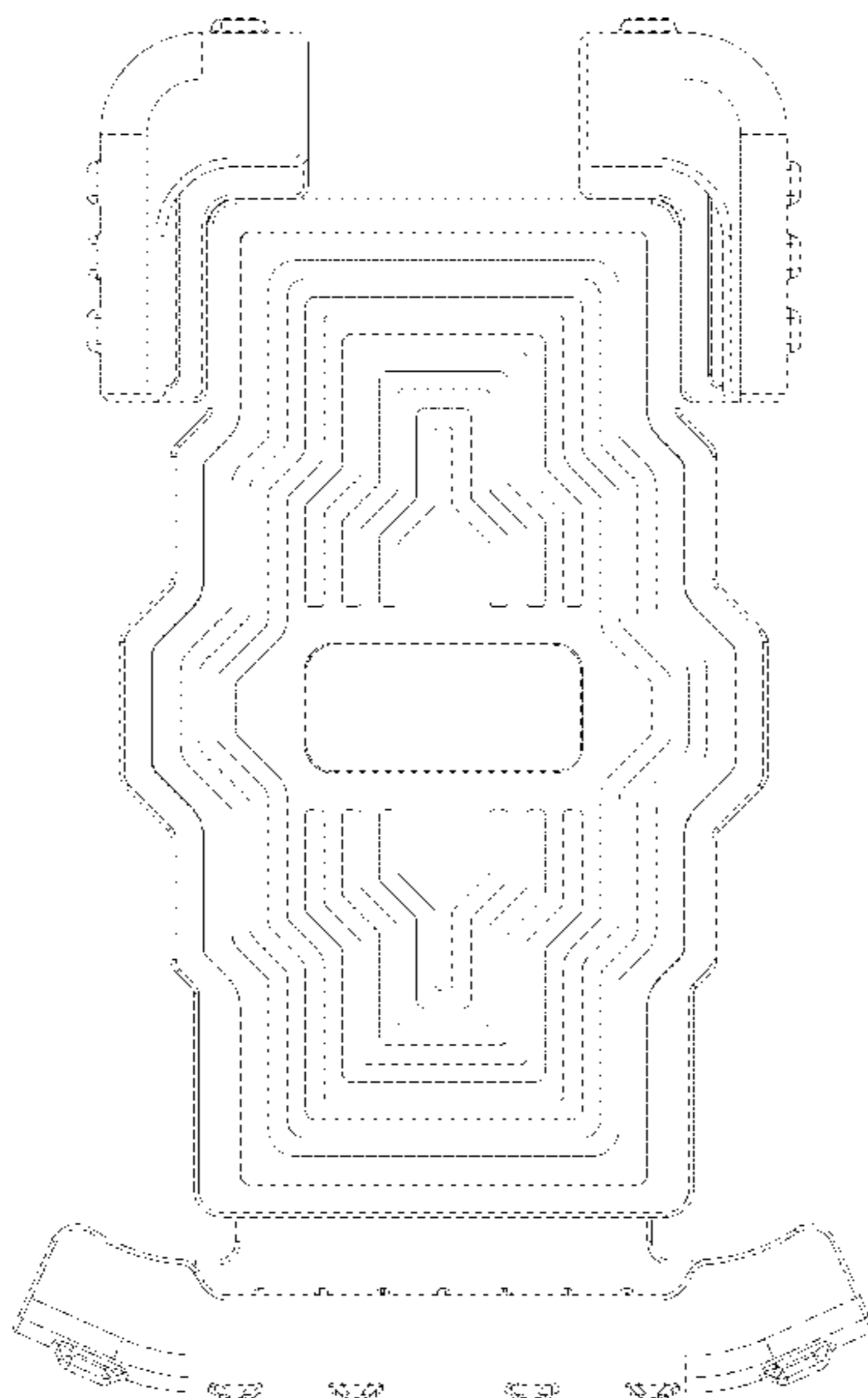
**DESCRIPTION**

**U.S. PATENT DOCUMENTS**

D668,247 S \* 10/2012 Kim ..... D14/253  
D676,371 S \* 2/2013 Son ..... D12/415  
8,744,536 B2 \* 6/2014 Brzana ..... H04M 1/04  
455/575.1  
D709,074 S \* 7/2014 Tsui ..... D14/447

FIG. 1 is a front elevational view of a mobile phone holder showing my new design;  
FIG. 2 is a rear elevational view thereof;  
FIG. 3 is a left side view thereof;  
FIG. 4 is a right side view thereof;  
FIG. 5 is a top plan view thereof;  
FIG. 6 is a bottom plan view thereof;  
FIG. 7 is a perspective view thereof;  
FIG. 8 is a second perspective view thereof; and,  
FIG. 9 is a third perspective view thereof.

**1 Claim, 9 Drawing Sheets**



(56)

**References Cited**

U.S. PATENT DOCUMENTS

D960,144 S \* 8/2022 Yuan ..... D14/253  
D960,145 S \* 8/2022 Zhou ..... D14/253  
D967,086 S \* 10/2022 Wang ..... D14/253  
D971,202 S \* 11/2022 Wang ..... D14/253  
2013/0244735 A1\* 9/2013 Bury ..... H02J 50/90  
455/573  
2014/0305985 A1\* 10/2014 Chang ..... A45F 5/021  
224/676

FOREIGN PATENT DOCUMENTS

CN 306746384 \* 8/2021  
EM 008461131-0001 \* 3/2021

\* cited by examiner

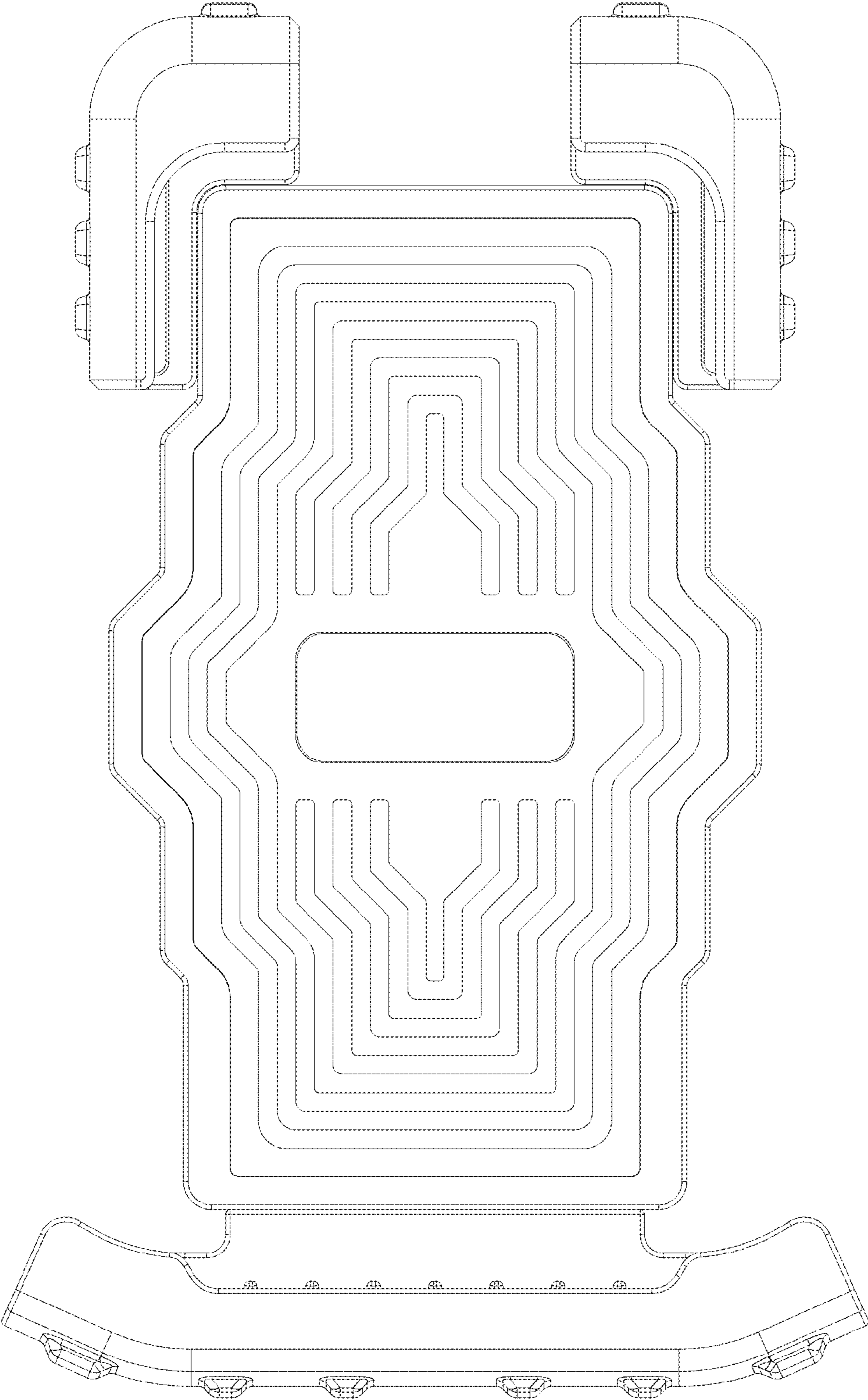


FIG. 1

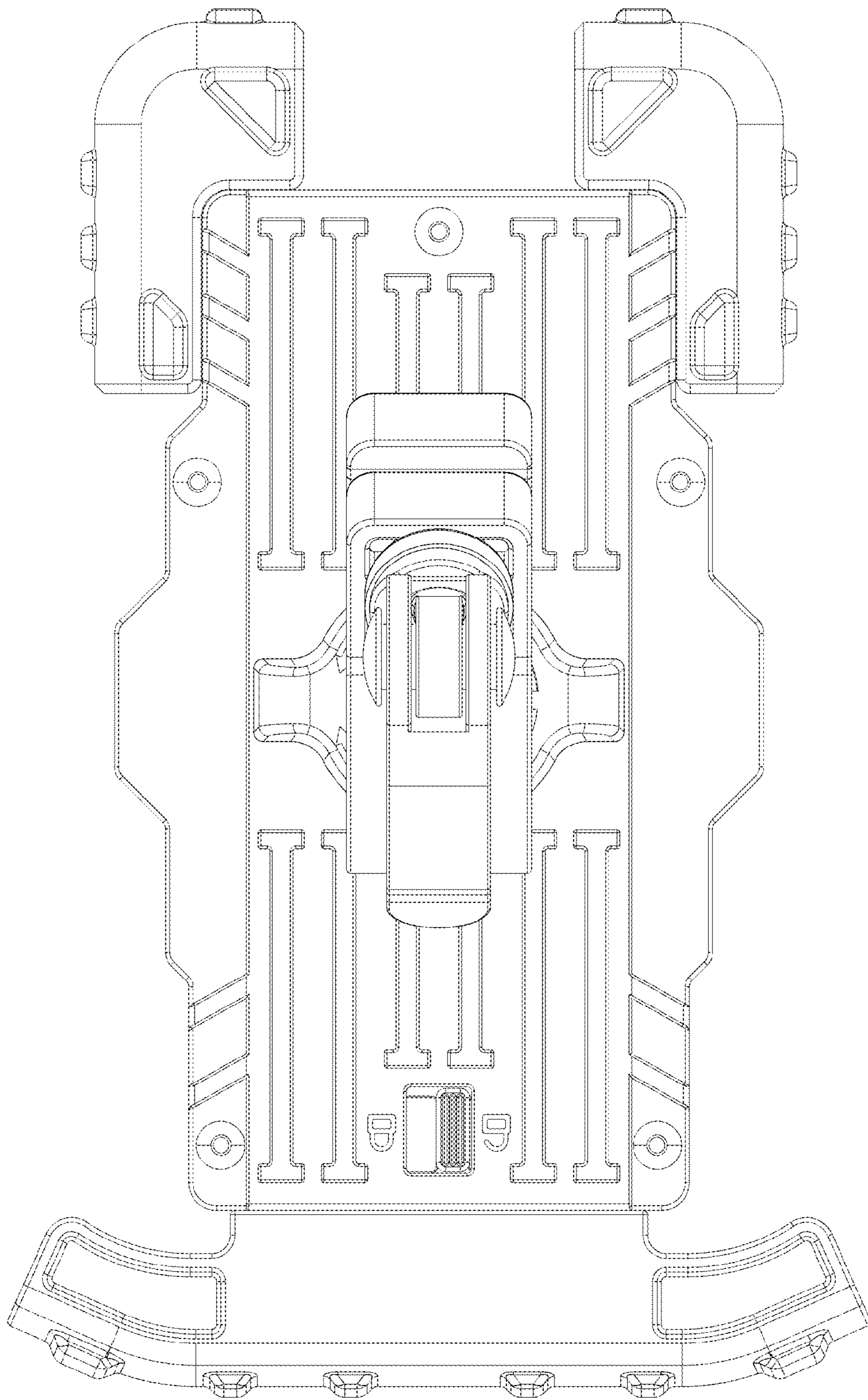


FIG. 2

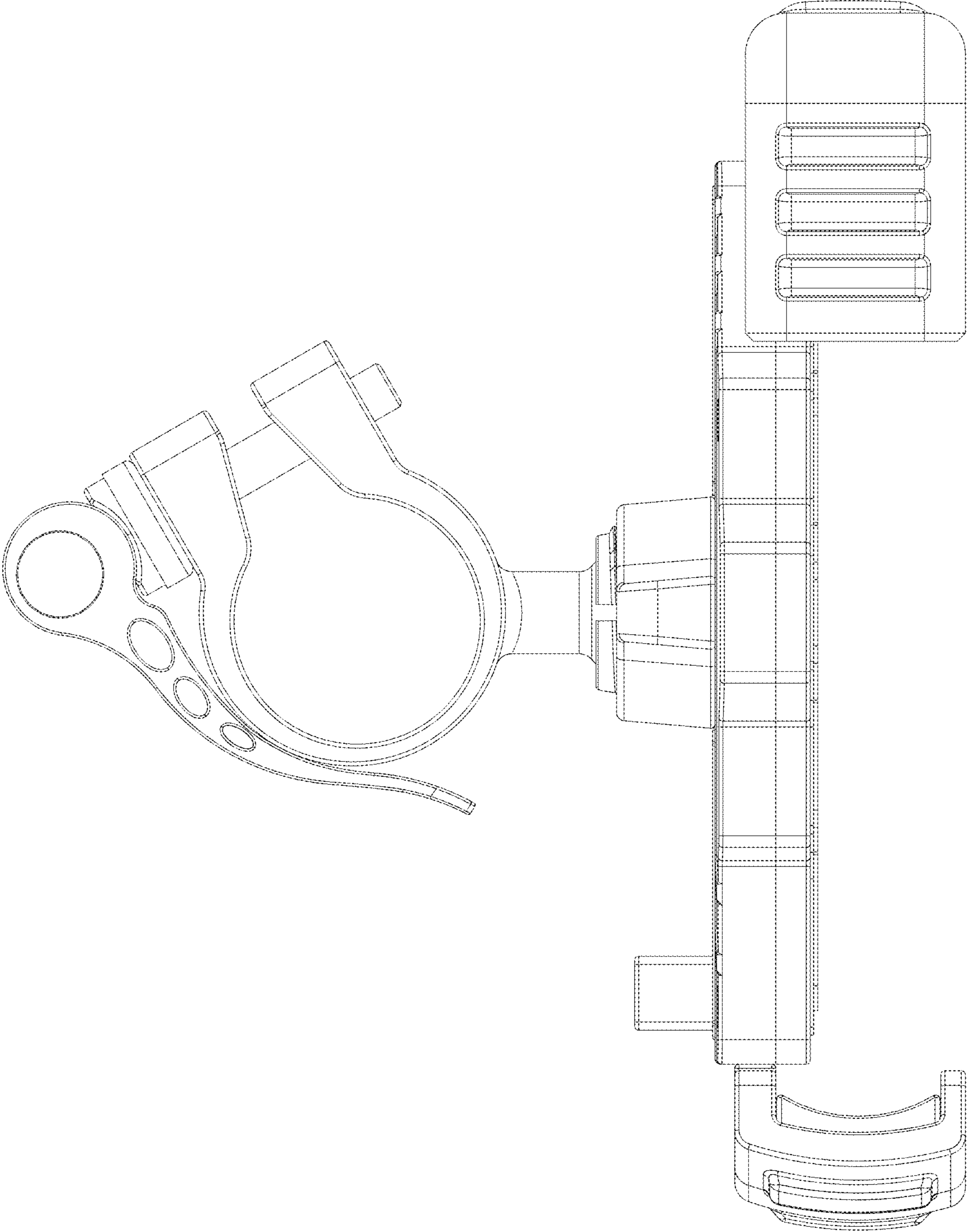


FIG. 3

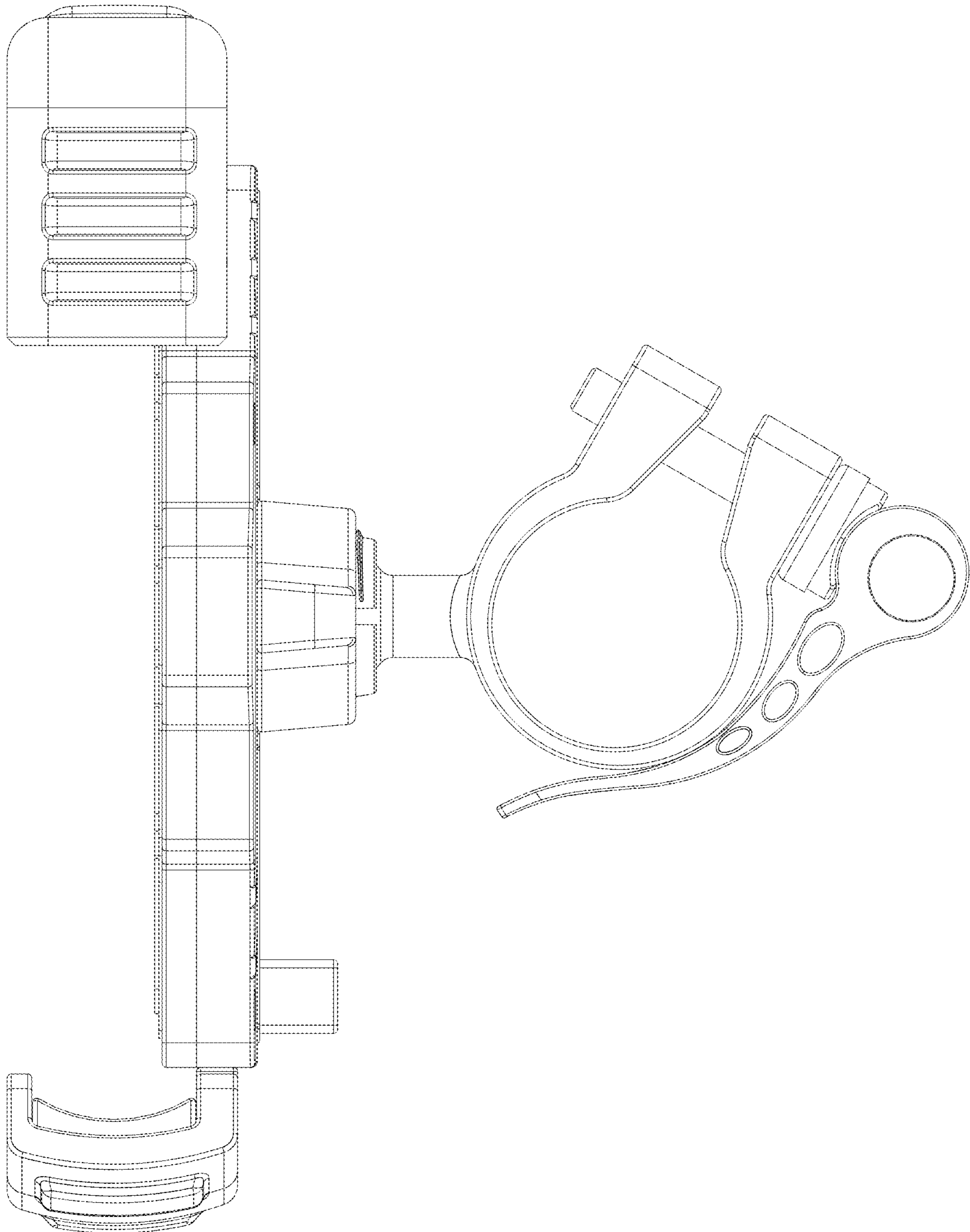


FIG. 4

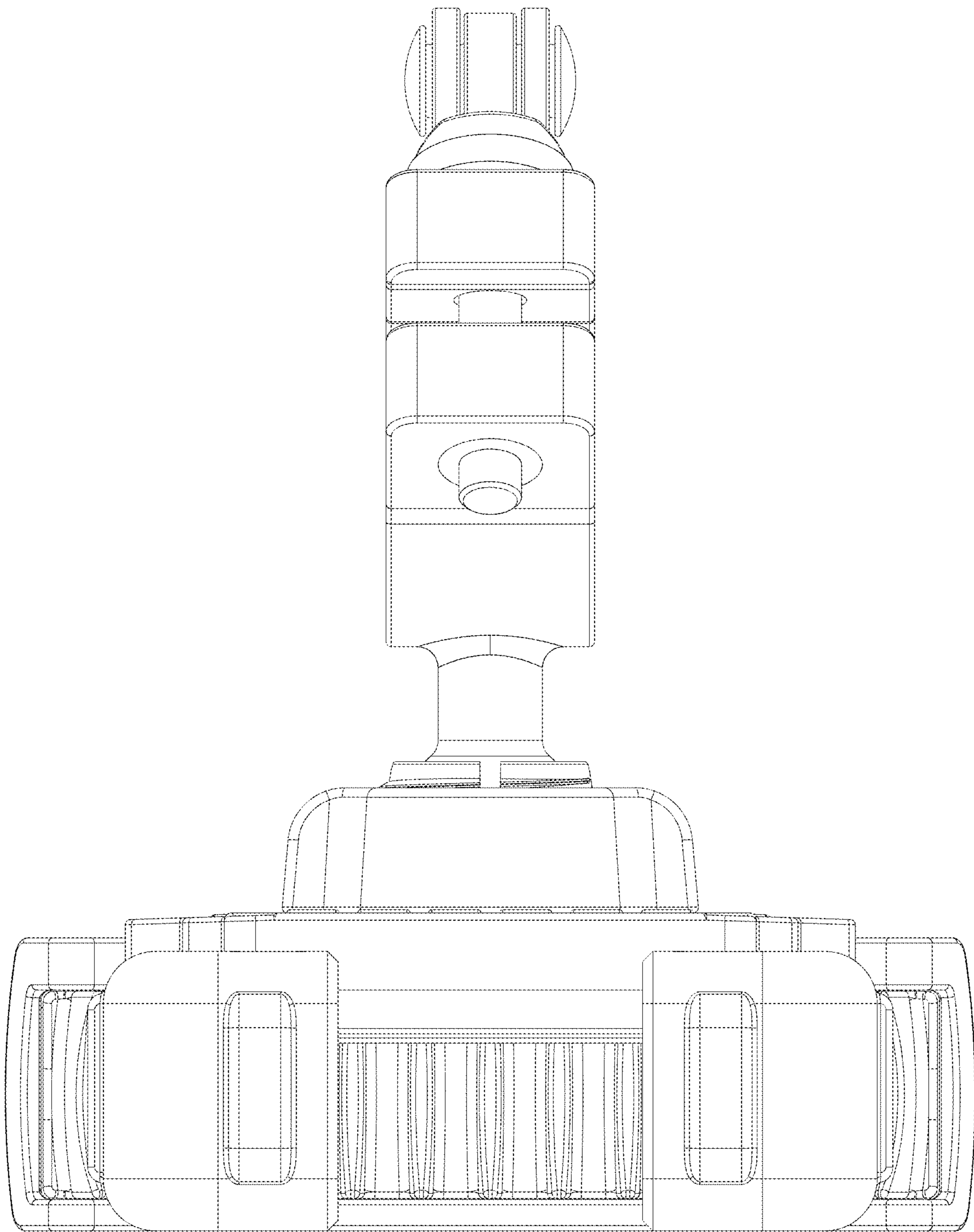


FIG. 5

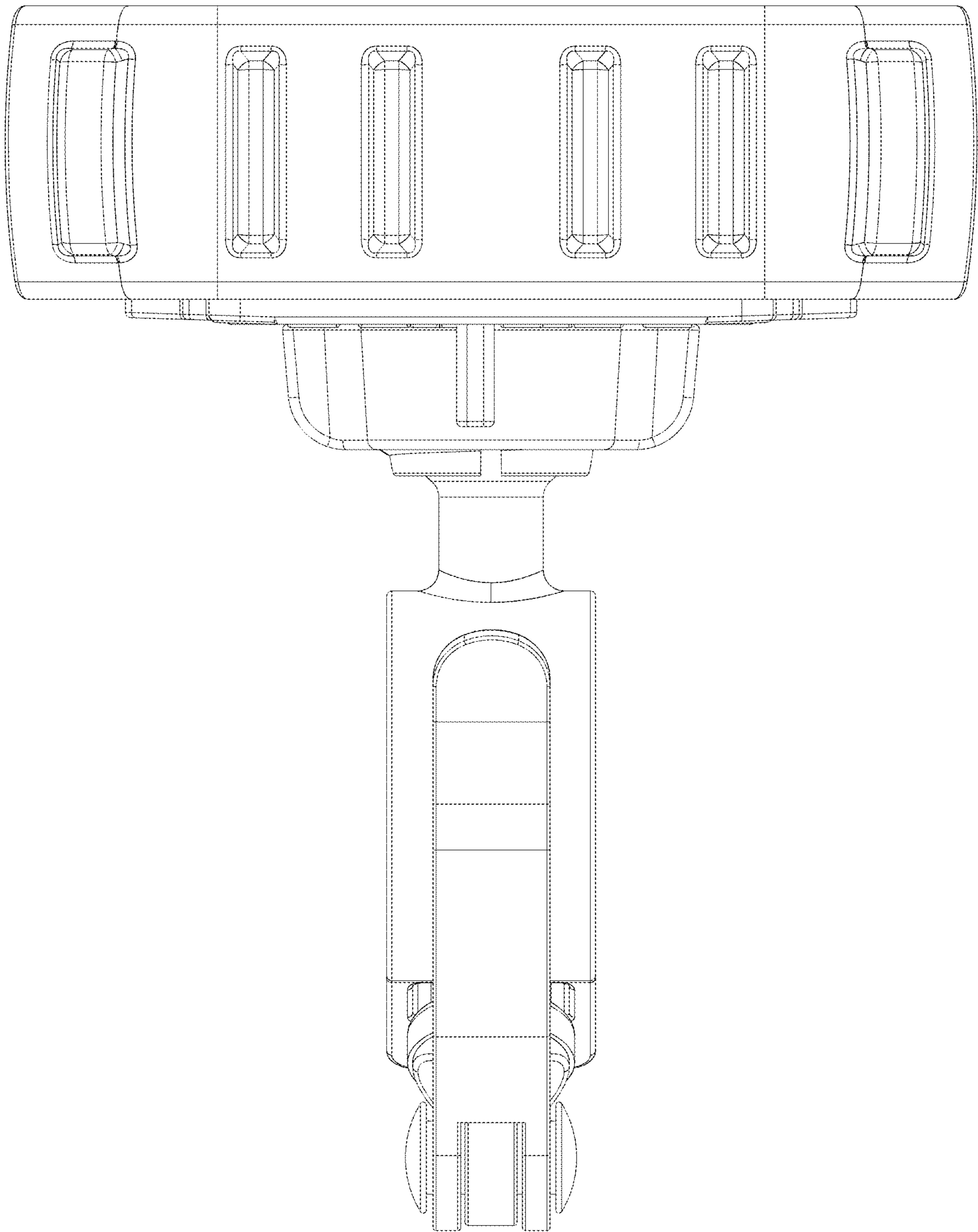


FIG. 6



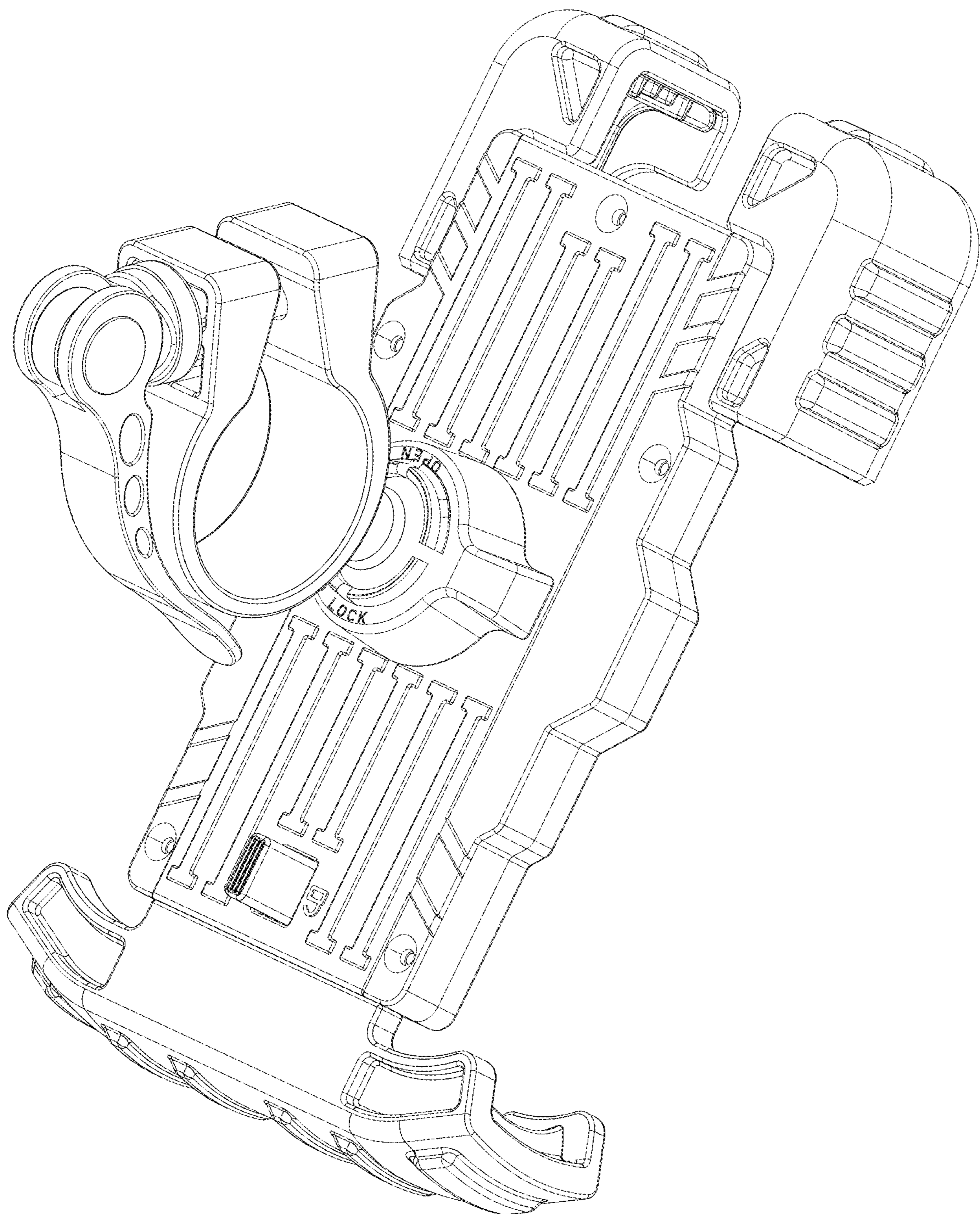


FIG. 7

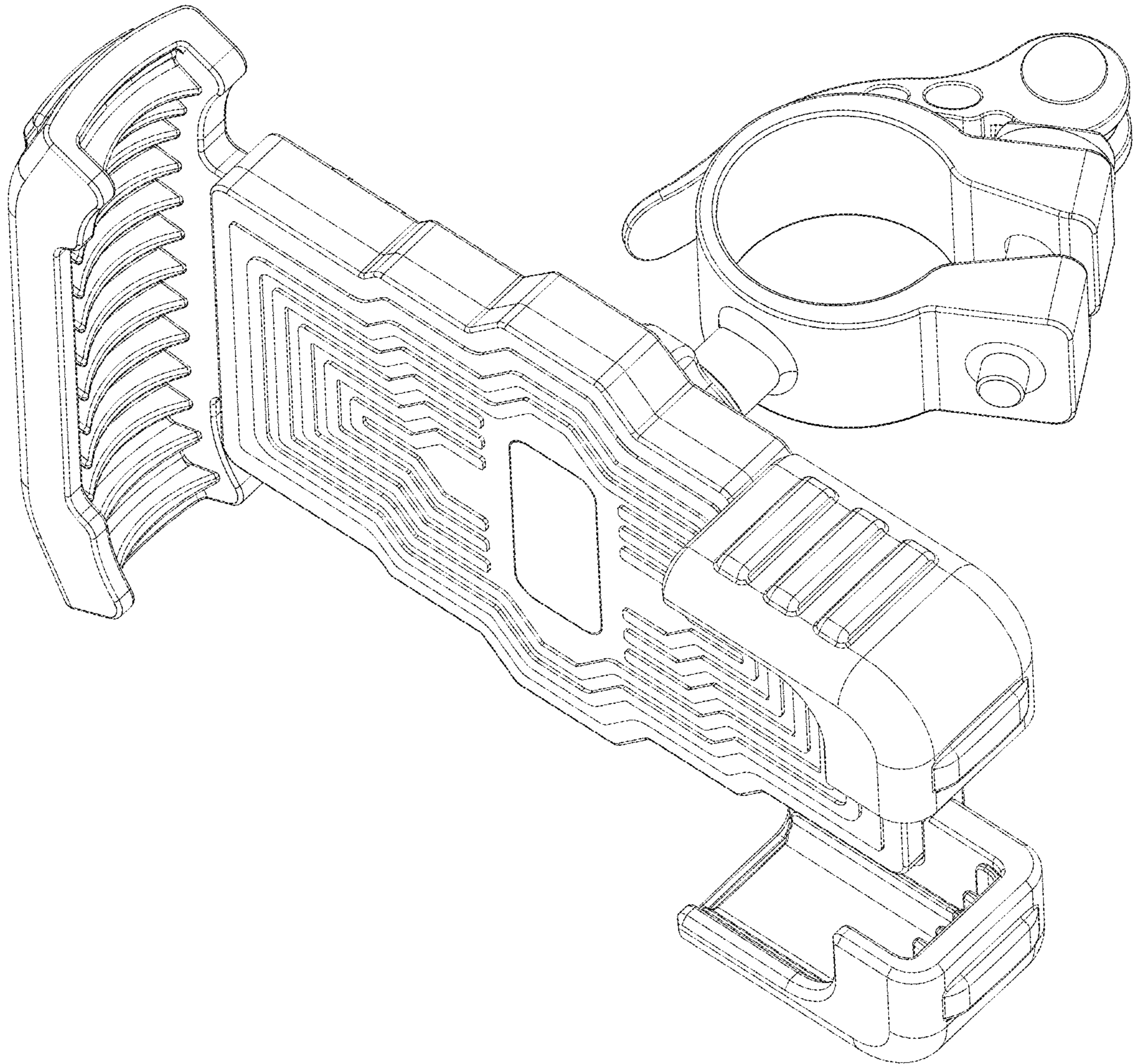


FIG. 8

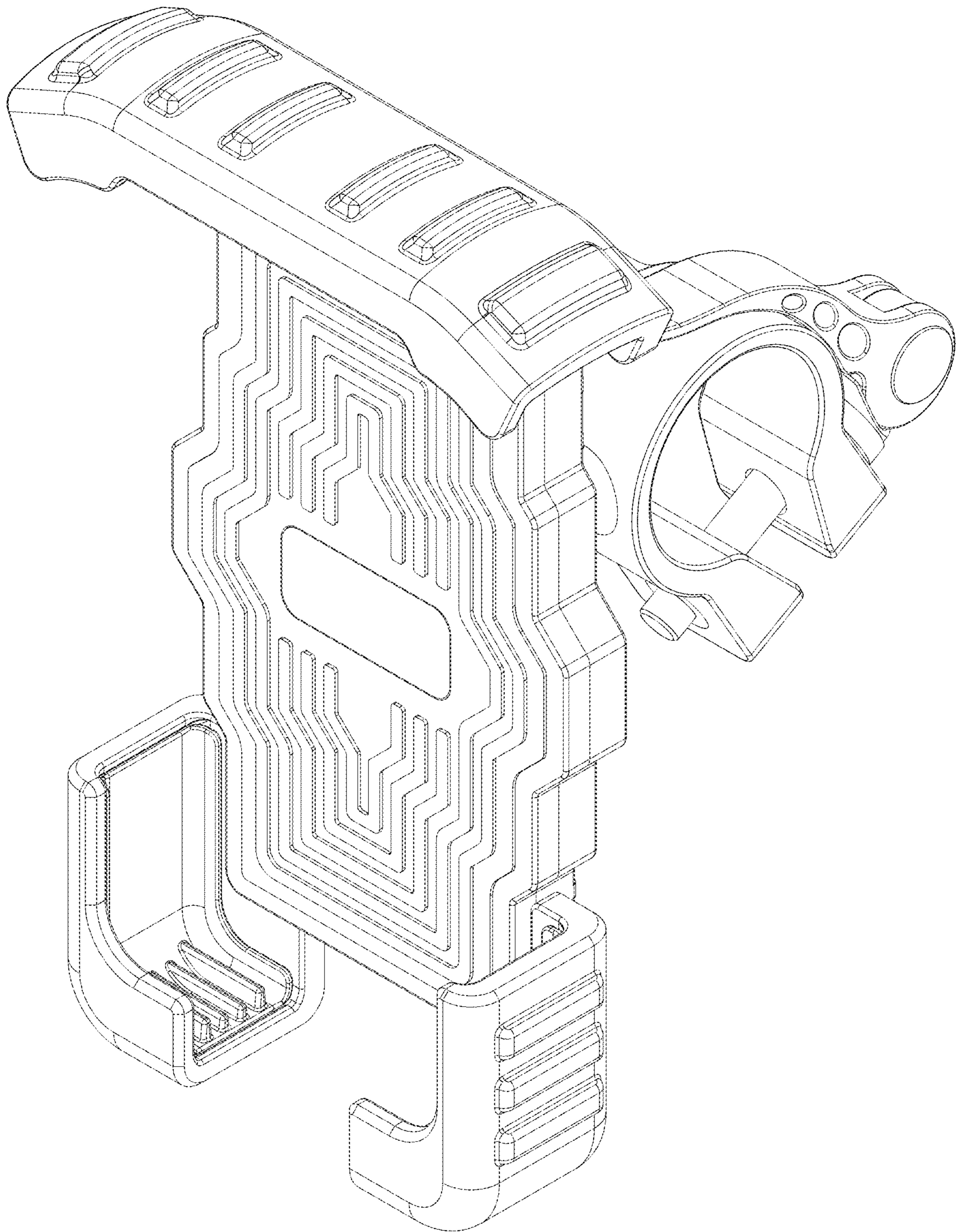


FIG. 9