



US00D982571S

(12) **United States Design Patent**
Chevalier et al.

(10) **Patent No.:** **US D982,571 S**

(45) **Date of Patent:** **** Apr. 4, 2023**

(54) **PHONE HOLDER COMBINED WITH HEADPHONE HANGER**

(71) Applicants: **Eddy Nelson Chevalier**, Tampa, FL (US); **Shevern Chasity Smith-Chevalier**, Tampa, FL (US)

(72) Inventors: **Eddy Nelson Chevalier**, Tampa, FL (US); **Shevern Chasity Smith-Chevalier**, Tampa, FL (US)

(**) Term: **15 Years**

(21) Appl. No.: **29/652,813**

(22) Filed: **Dec. 8, 2020**

(51) **LOC (14) Cl.** **14-06**

(52) **U.S. Cl.**
USPC **D14/251**; D14/238

(58) **Field of Classification Search**
USPC D3/218, 215; D6/675, 656.1, 675.1, 672, D6/673, 675.4, 553, 676, 310, 300, 682.3, D6/460; D8/349, 363, 313, 394-396, 72, D8/74; D12/415, 223, 114, 420, 414, D12/407, 177; D13/107, 108;
(Continued)

(56) **References Cited**

U.S. PATENT DOCUMENTS

D323,753 S 2/1992 Johnston
D355,913 S 2/1995 Chong
(Continued)

FOREIGN PATENT DOCUMENTS

CN 304081723 * 3/2017
EM 006686689-0007 * 8/2019
(Continued)

OTHER PUBLICATIONS

Aluminum Headphone Stand With Tilttable Phone Holder, date not known [online], retrieved Oct. 17, 2022, retrieved from the internet: < <https://www.lumi.cn/en/lumi-home/gaming/headphone-stand---holder/hps01-3> >(Year: 2022).*

(Continued)

Primary Examiner — Messina L Smith

Assistant Examiner — Rodolfo Castro, Jr.

(74) *Attorney, Agent, or Firm* — Dunlap Bennett & Ludwig, PLLC

(57) **CLAIM**

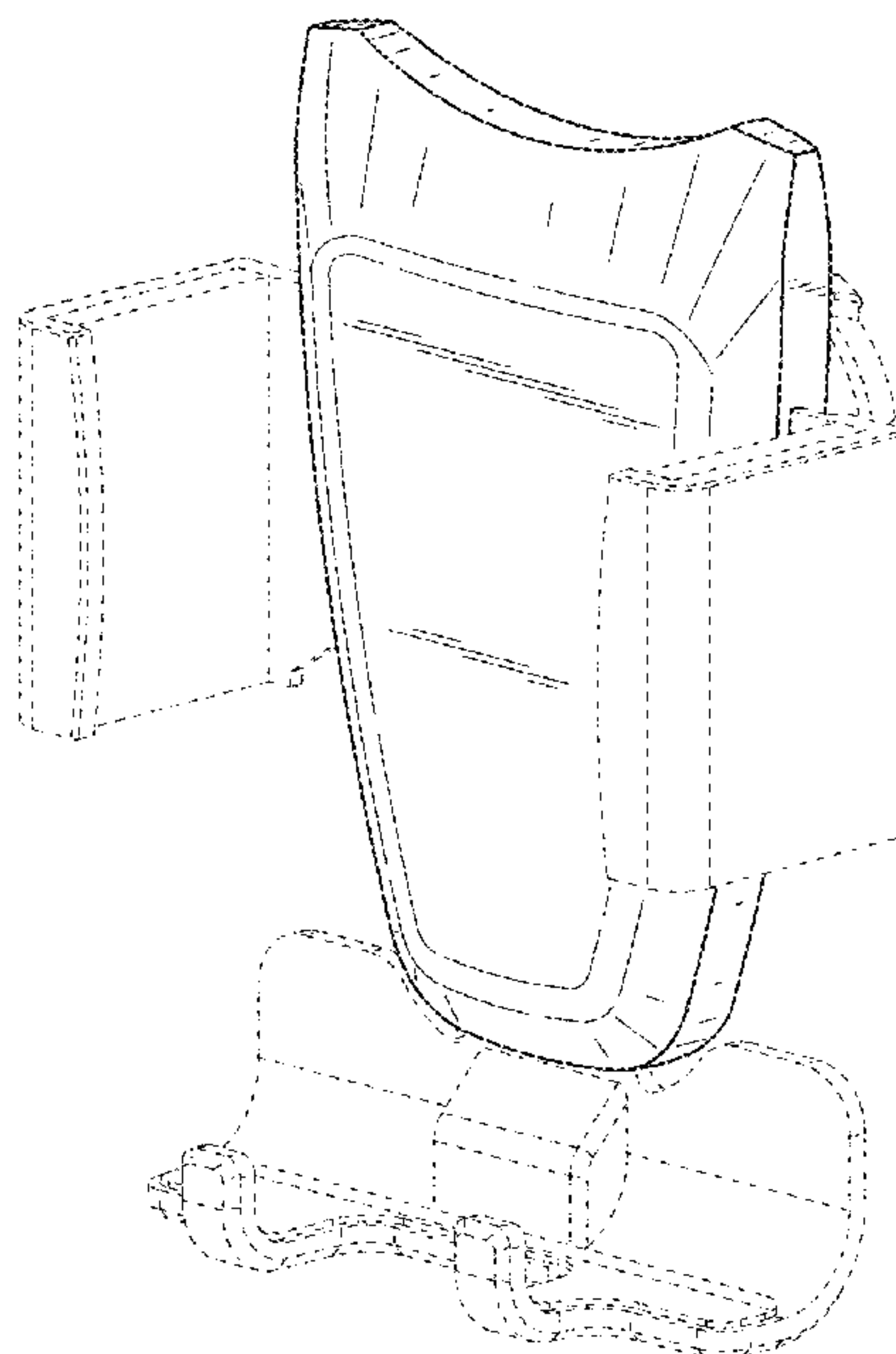
The ornamental design for a phone holder combined with headphone hanger, as shown and described.

DESCRIPTION

FIG. 1 is a front perspective view of a phone holder combined with headphone hanger, showing our new design; FIG. 2 is a front elevation view thereof; FIG. 3 is a rear elevation view thereof; FIG. 4 is a right-side elevation view thereof; FIG. 5 is a left-side elevation view thereof; FIG. 6 is a top plan view thereof; FIG. 7 is a bottom plan view thereof; FIG. 8 is a perspective view of the phone holder combined with headphone hanger shown in use holding a phone; and, FIG. 9 is a front elevation view of the phone holder combined with headphone hanger shown in use hanging a headphone.

The broken lines showing a phone in FIG. 8 and a headphone in FIG. 9 depicts environmental subject matter that forms no part of the claimed design, while the remaining broken lines shown in the drawings depict portions of the phone holder combined with headphone hanger that form no part of the claimed design.

1 Claim, 6 Drawing Sheets



(58) **Field of Classification Search**

USPC D14/251–253, 447, 451, 452, 440,
 D14/432–434, 458, 457, 460, 238.1, 140,
 D14/142, 149, 217, 148, 140.8, 140.11,
 D14/209.1, 151, 140.9, 250, 238;
 D16/242–245, 250, 237, 203, 214, 219;
 D21/455, 799.1, 8, 713, 796
 CPC H04M 1/02; H04M 1/04; H04M 1/11;
 H04M 1/12; A47F 7/022; F16M 11/00;
 F16M 11/04; F16M 11/041; F16M 11/02;
 F16M 11/06; F16M 13/00; B62J 11/00;
 B60R 11/02; H05K 7/00; G03B 17/56
 See application file for complete search history.

(56) **References Cited**

U.S. PATENT DOCUMENTS

D387,784 S 12/1997 Nakamura
 6,256,387 B1 * 7/2001 Wang H04M 1/04
 379/446
 D499,092 S * 11/2004 Fan D14/434
 D593,998 S 6/2009 Bentley et al.
 D684,145 S 6/2013 Rath
 D687,833 S 8/2013 Gittins
 D687,834 S 8/2013 Gittins
 D711,867 S * 8/2014 Harris D14/253
 D716,787 S 11/2014 Takabatake
 D723,011 S 2/2015 Symons
 D732,013 S 6/2015 Aspinall et al.
 D737,606 S 9/2015 King
 D740,799 S * 10/2015 Fan D14/253
 D746,620 S 1/2016 King
 D769,235 S 10/2016 Li
 D780,490 S 3/2017 James et al.
 D784,923 S 4/2017 Song
 D788,080 S 5/2017 Turksu et al.
 D789,348 S 6/2017 Kim
 D813,850 S 3/2018 Young, III

9,973,844 B1 5/2018 Young
 D821,122 S 6/2018 Wang
 D821,787 S 7/2018 Wang
 D832,248 S 10/2018 Sukphist et al.
 D839,868 S 2/2019 Lee
 D840,997 S 2/2019 Chen
 D850,421 S 6/2019 Tong
 D854,006 S 7/2019 Wang et al.
 D854,520 S 7/2019 Tong
 D860,174 S 9/2019 Chong
 D862,453 S 10/2019 Liang
 D864,186 S * 10/2019 Du D14/253
 D866,533 S 11/2019 Chong
 D868,753 S 12/2019 Kolton
 D874,452 S 2/2020 Chen
 D875,090 S 2/2020 Leeds-Frank et al.
 D881,200 S 4/2020 Leeds-Frank
 D897,333 S * 9/2020 Liao D14/253
 D903,587 S * 12/2020 Jianting D13/108
 D926,107 S * 7/2021 Leeds-Frank D12/415
 D926,108 S * 7/2021 Leeds-Frank D12/415
 2016/0190838 A1 6/2016 Webb

FOREIGN PATENT DOCUMENTS

EM 008205108-0001 * 10/2020
 EM 008148035-0001 * 11/2020
 EM 008406466-0001 * 1/2021
 GB 6111625 * 1/2021
 JP D1675368 * 12/2020
 KR 301082283.0000 * 11/2020

OTHER PUBLICATIONS

Phone Stand with Headphone Holder, Kavalan Height & Angle Adjustable Aluminum Smartphone & Headset Stand, Aug. 18, 2020 [online], retrieved Oct. 17, 2022, retrieved from the internet: < <https://www.amazon.com/Headphone-Kavalan-Adjustable-Smartphone-Organizer/dp/B08FM19ZFG?th=1> > (Year: 2020).*

* cited by examiner

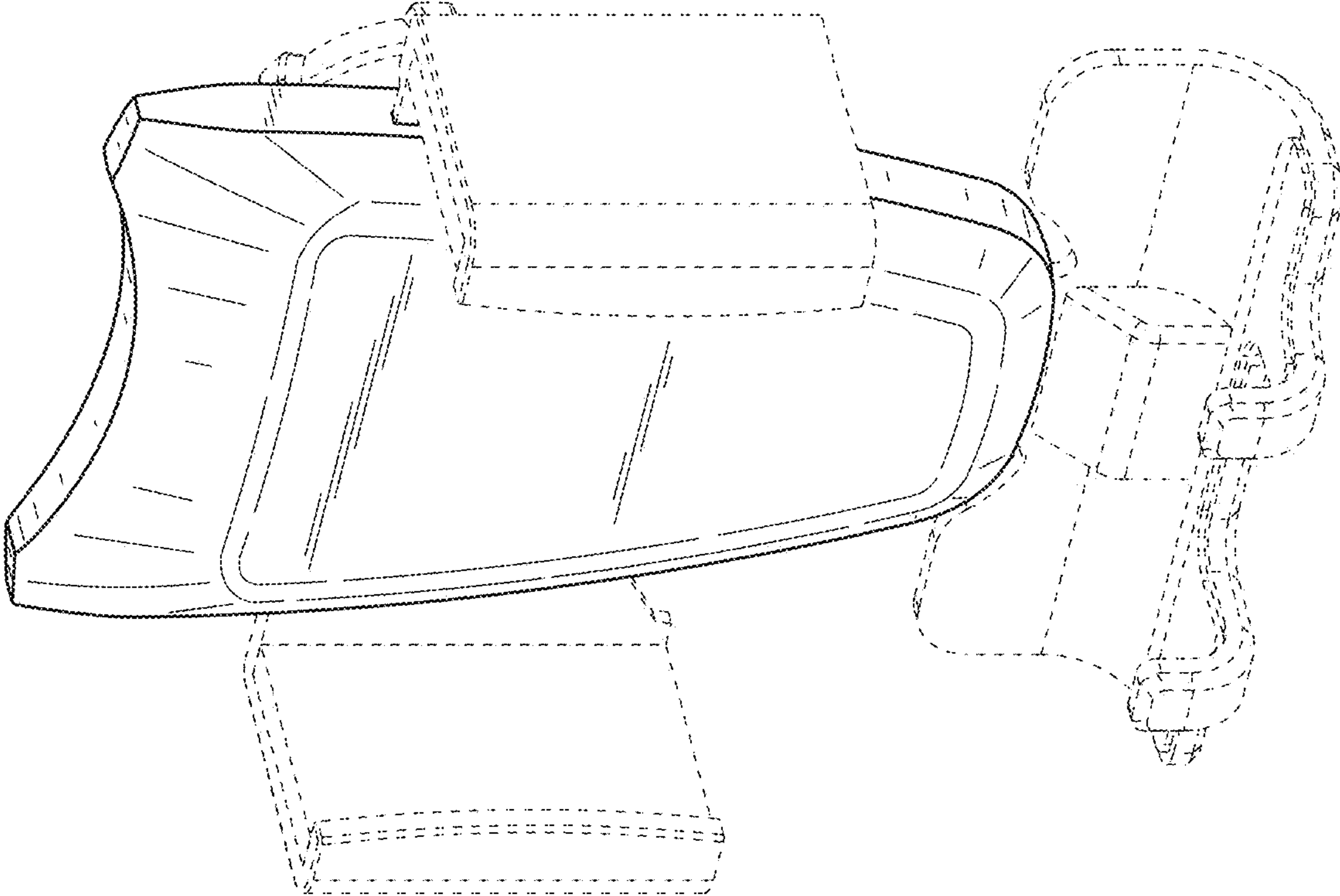


FIG. 1

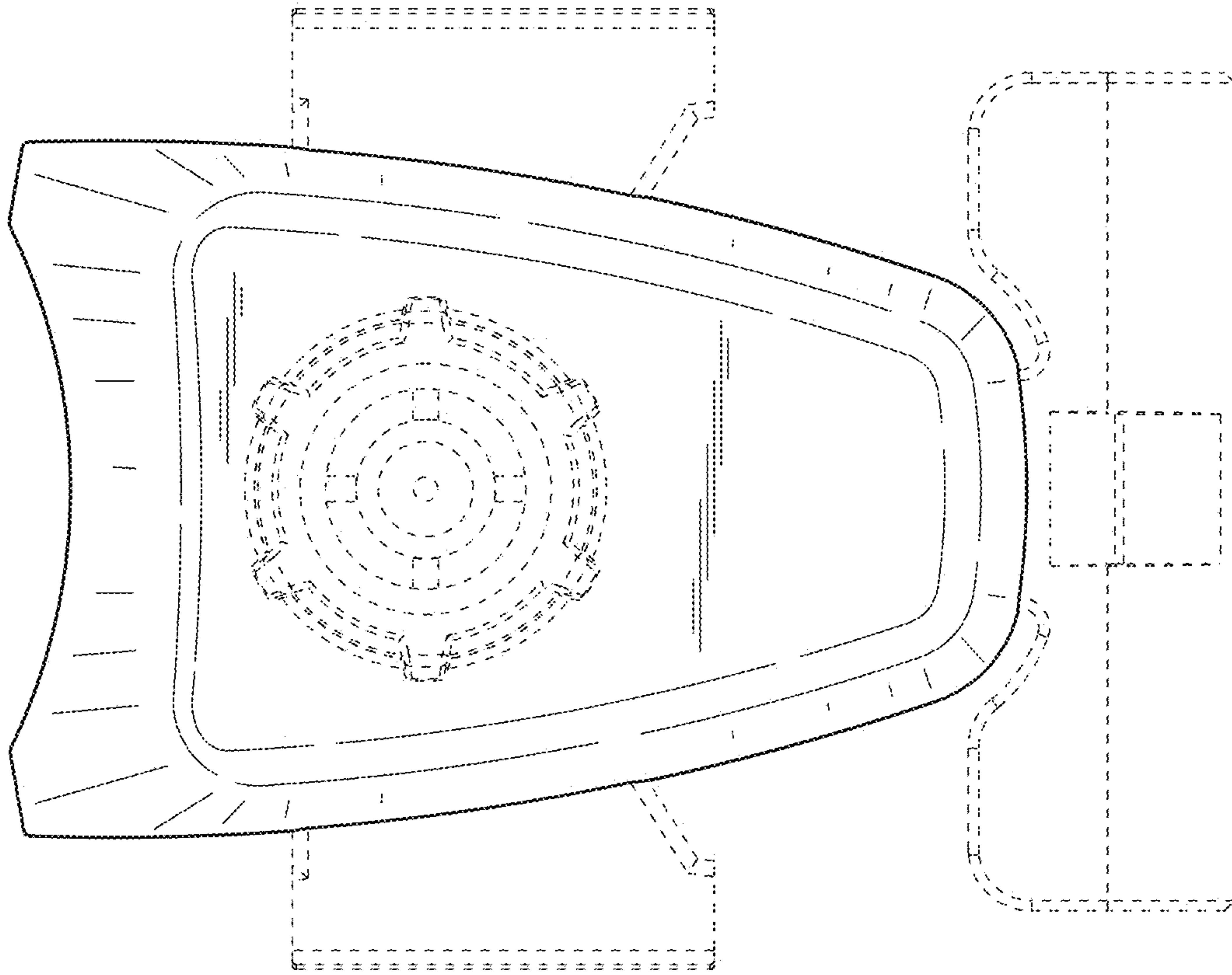


FIG. 2

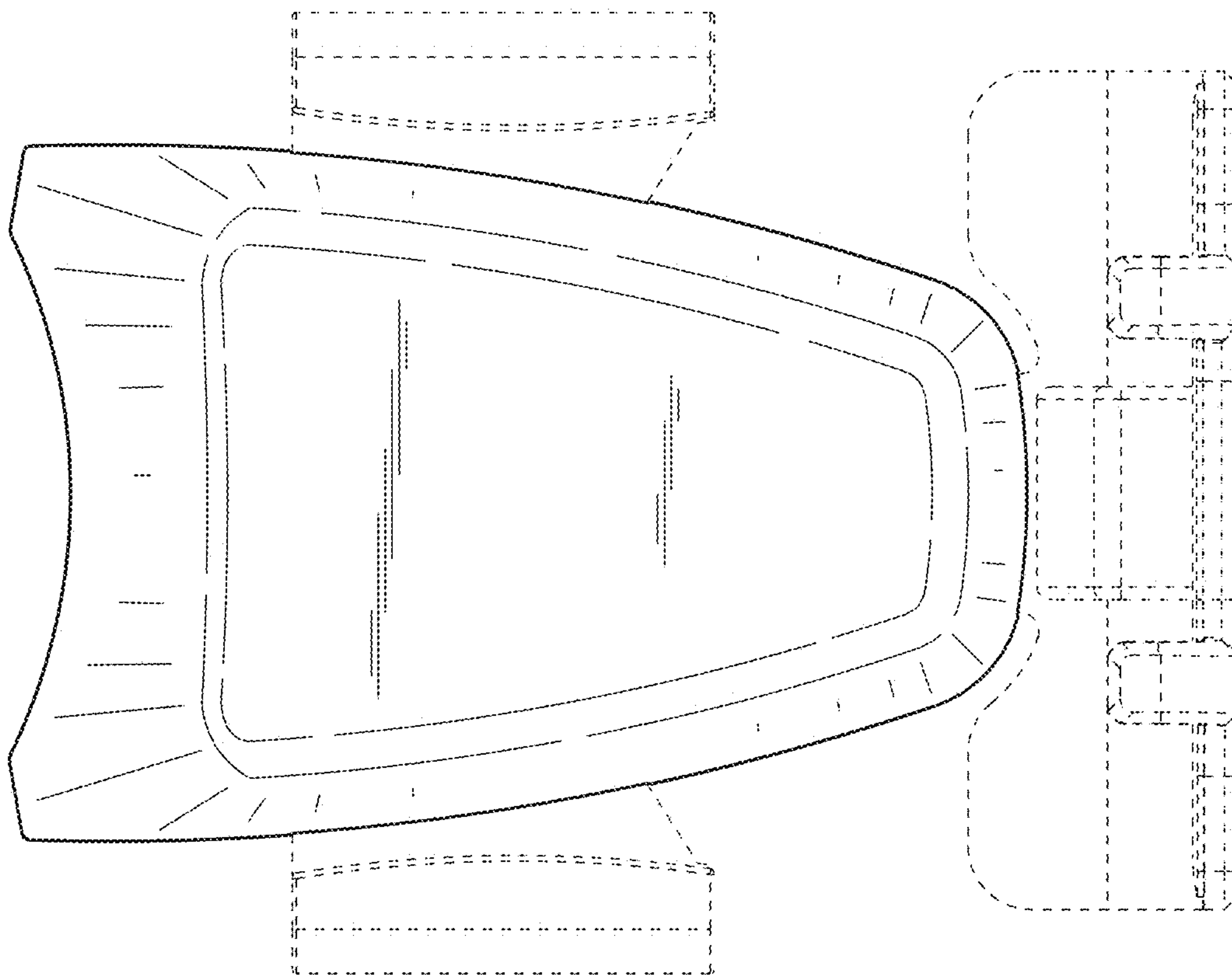


FIG. 3

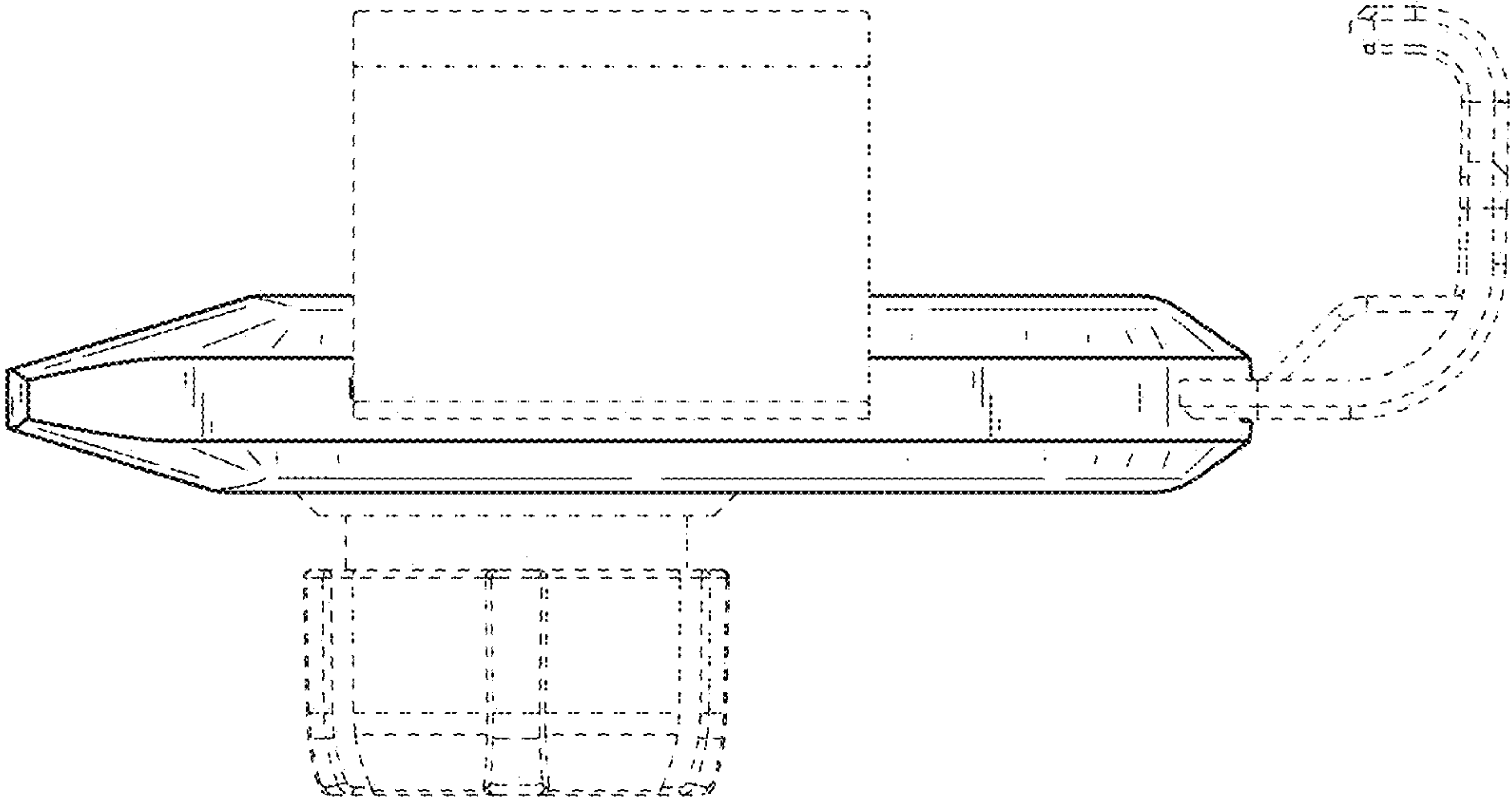


FIG. 5

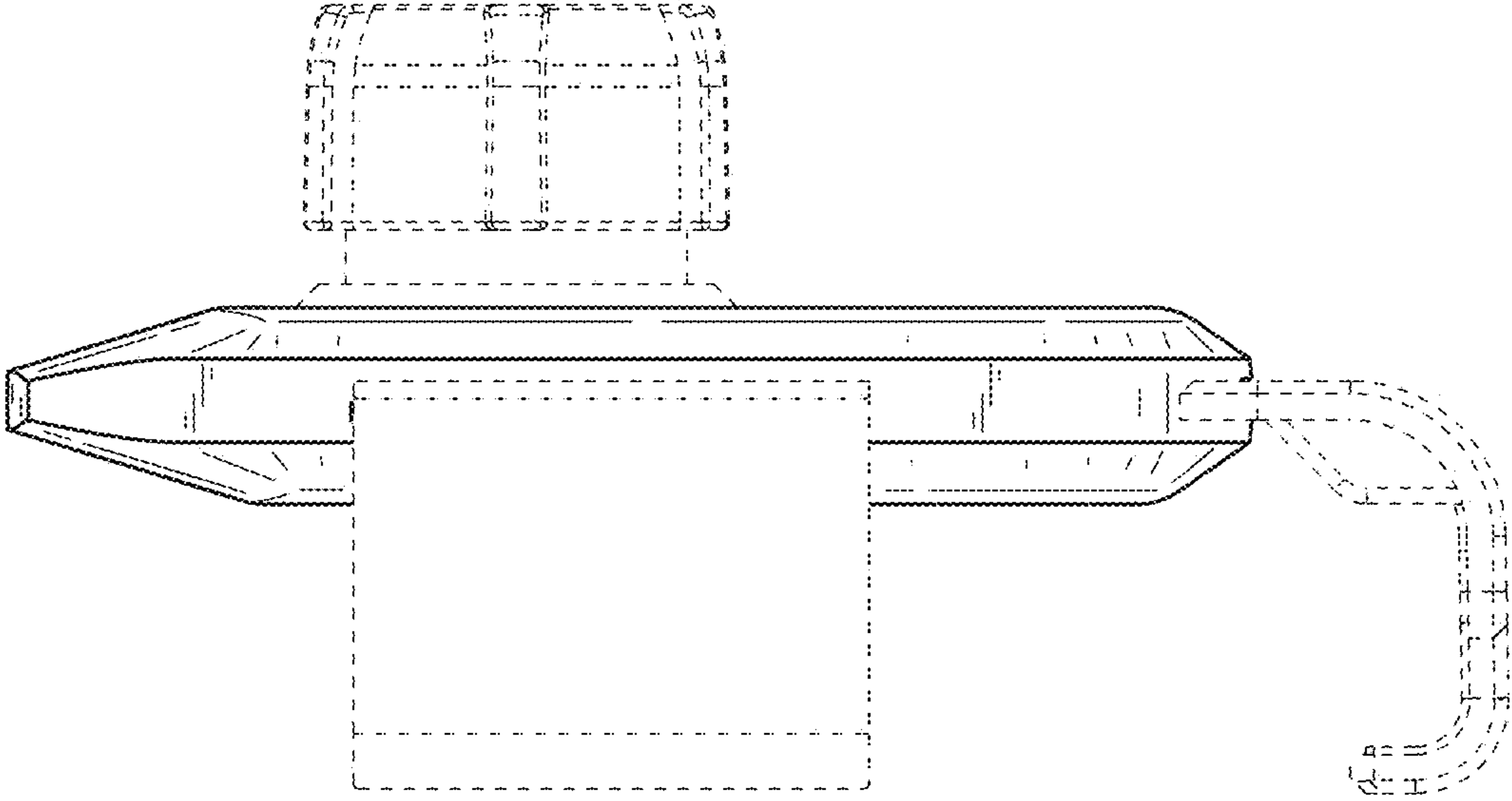


FIG. 4

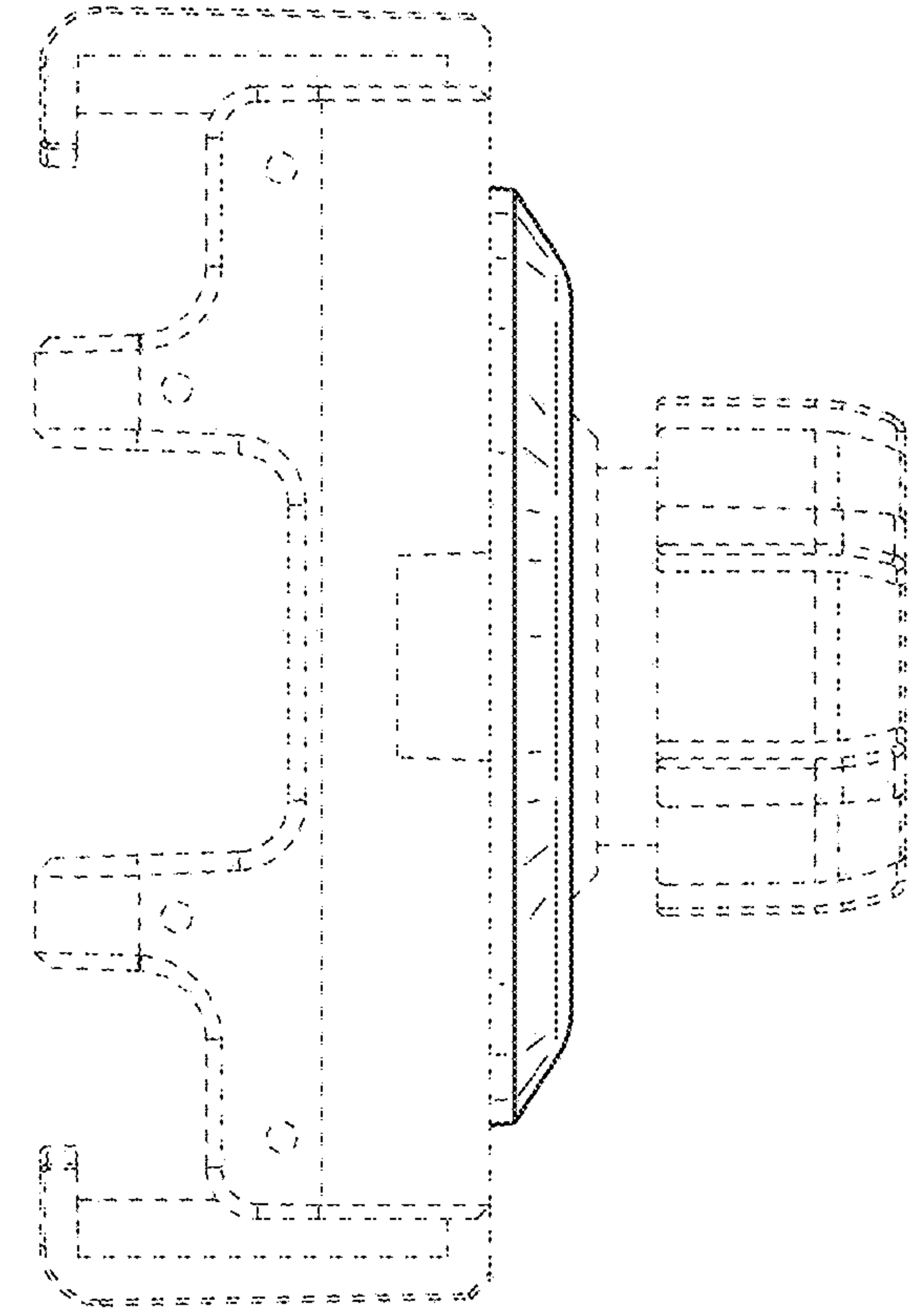


FIG. 6

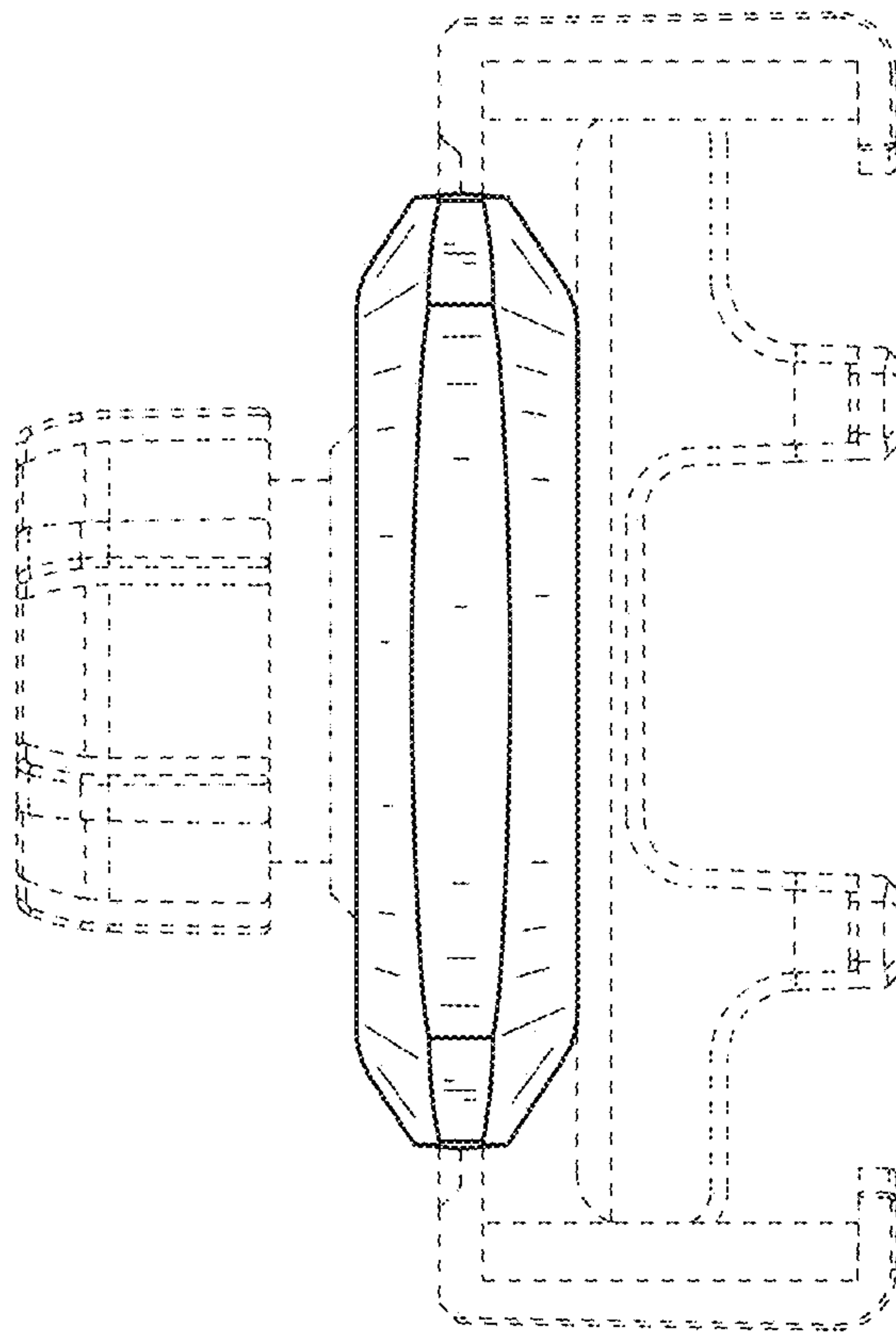


FIG. 7

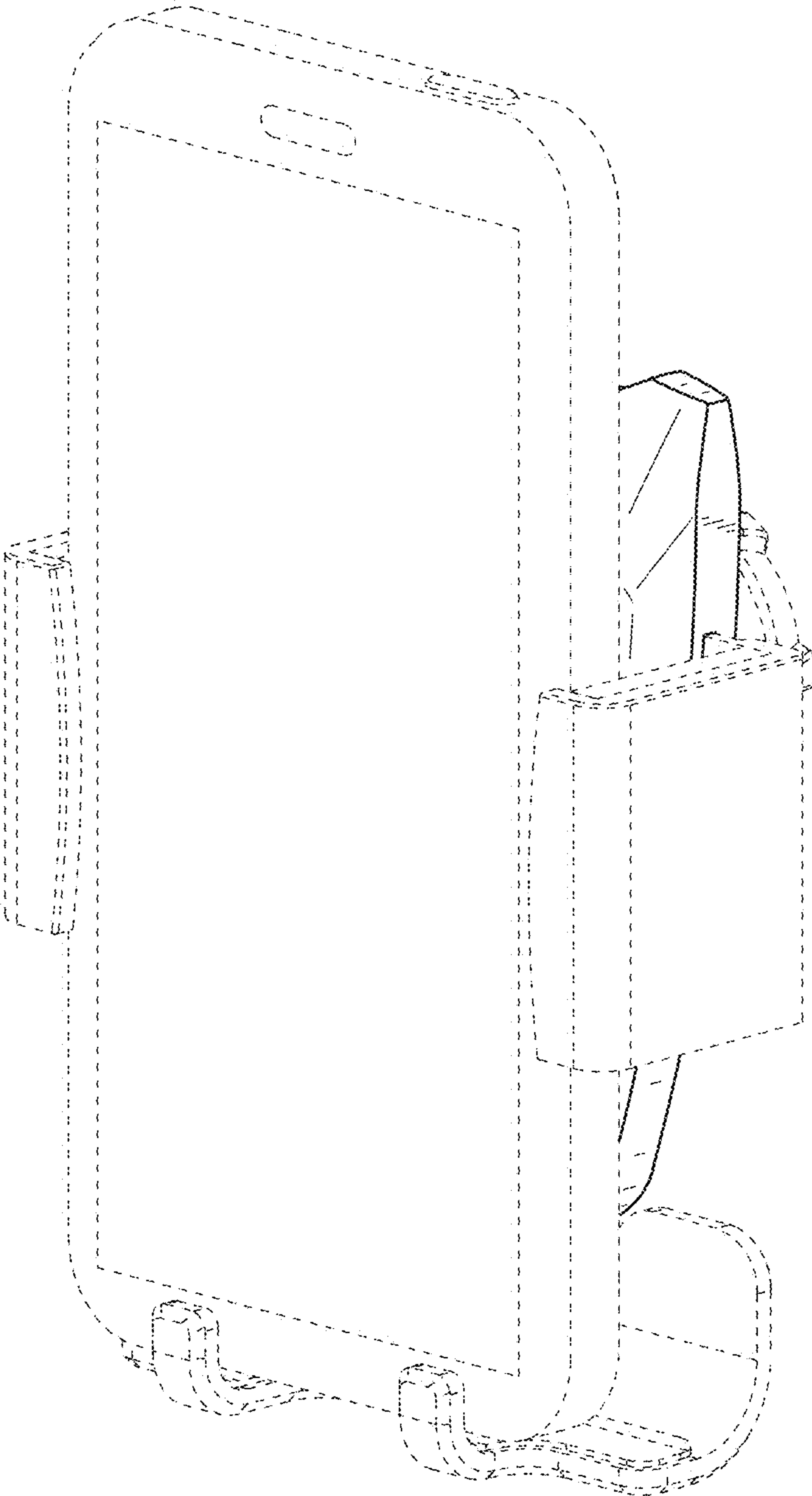


FIG. 8

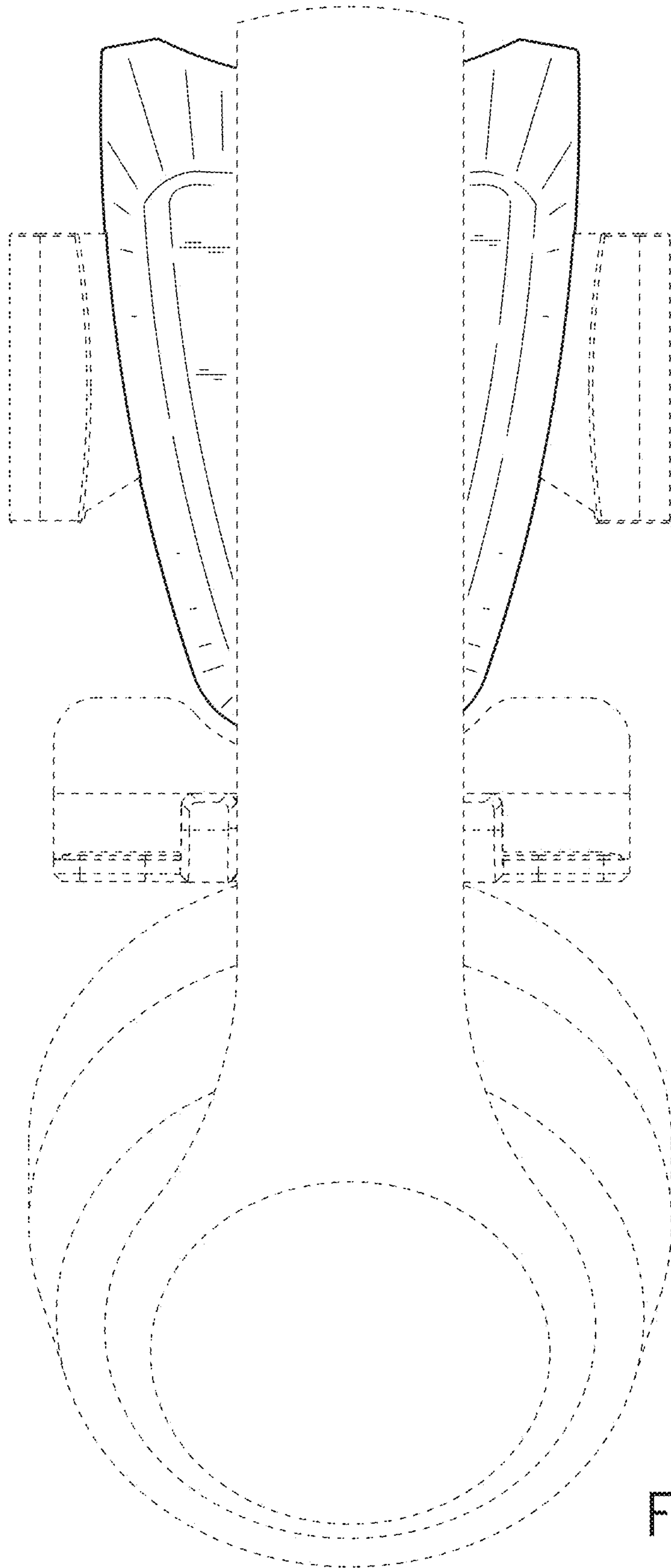


FIG. 9