



US00D982570S

(12) **United States Design Patent**  
**Huang**

(10) **Patent No.:** **US D982,570 S**

(45) **Date of Patent:** **\*\* Apr. 4, 2023**

(54) **COMBINED MOBILE PHONE CASE AND CARD CASE**

(71) Applicant: **Wenqiang Huang**, Fuzhou (CN)

(72) Inventor: **Wenqiang Huang**, Fuzhou (CN)

(\*\*) Term: **15 Years**

(21) Appl. No.: **29/881,766**

(22) Filed: **Jan. 6, 2023**

(51) **LOC (14) Cl.** ..... **14-03**

(52) **U.S. Cl.**  
USPC ..... **D14/250**; D3/218; D3/249

(58) **Field of Classification Search**  
USPC ..... D3/201, 218, 247, 249, 269; D13/107,  
D13/108, 118, 119; D14/217, 248,  
D14/250-253, 432, 440  
CPC ..... H04B 1/3888; H04M 1/0283;  
H04M 1/0202; A45F 2005/028; A45F  
2200/0525

See application file for complete search history.

(56) **References Cited**

**U.S. PATENT DOCUMENTS**

D367,956 S *	3/1996	Peters	.....	D3/232
D688,655 S *	8/2013	Rey-Hipolito	.....	D14/250
D707,217 S *	6/2014	Toulotte	.....	D14/250
D716,045 S *	10/2014	Requa	.....	D3/249
D815,086 S *	4/2018	Jeon	.....	D14/251
D830,356 S *	10/2018	Deng	.....	D14/250
D839,254 S *	1/2019	Nazar	.....	D14/250
D851,921 S *	6/2019	Goetz	.....	D3/218
D858,504 S *	9/2019	Gellner	.....	D14/250
D858,507 S *	9/2019	Jang	.....	D14/251
D862,081 S *	10/2019	Lange	.....	D3/249
D862,082 S *	10/2019	Lange	.....	D3/249
D874,454 S *	2/2020	Lederer	.....	D14/251
D878,751 S *	3/2020	DeChant	.....	D3/247
D883,973 S	5/2020	Lu		

10,916,954 B1 *	2/2021	Sheriff	.....	G06F 1/1635
D917,442 S *	4/2021	Feng	.....	D3/249
11,039,679 B2 *	6/2021	Jang	.....	A45C 11/00
2012/0178507 A1 *	7/2012	Lee	.....	A45C 11/00 455/575.1

(Continued)

**OTHER PUBLICATIONS**

Seabaras iPhone 13 Pro Wallet Case with Credit Card Holder, publication date Oct. 26, 2021, [online] URL: <https://www.amazon.com/dp/B09GJGW283/> (Year: 2021).\*

(Continued)

*Primary Examiner* — L. A. Grabenstetter

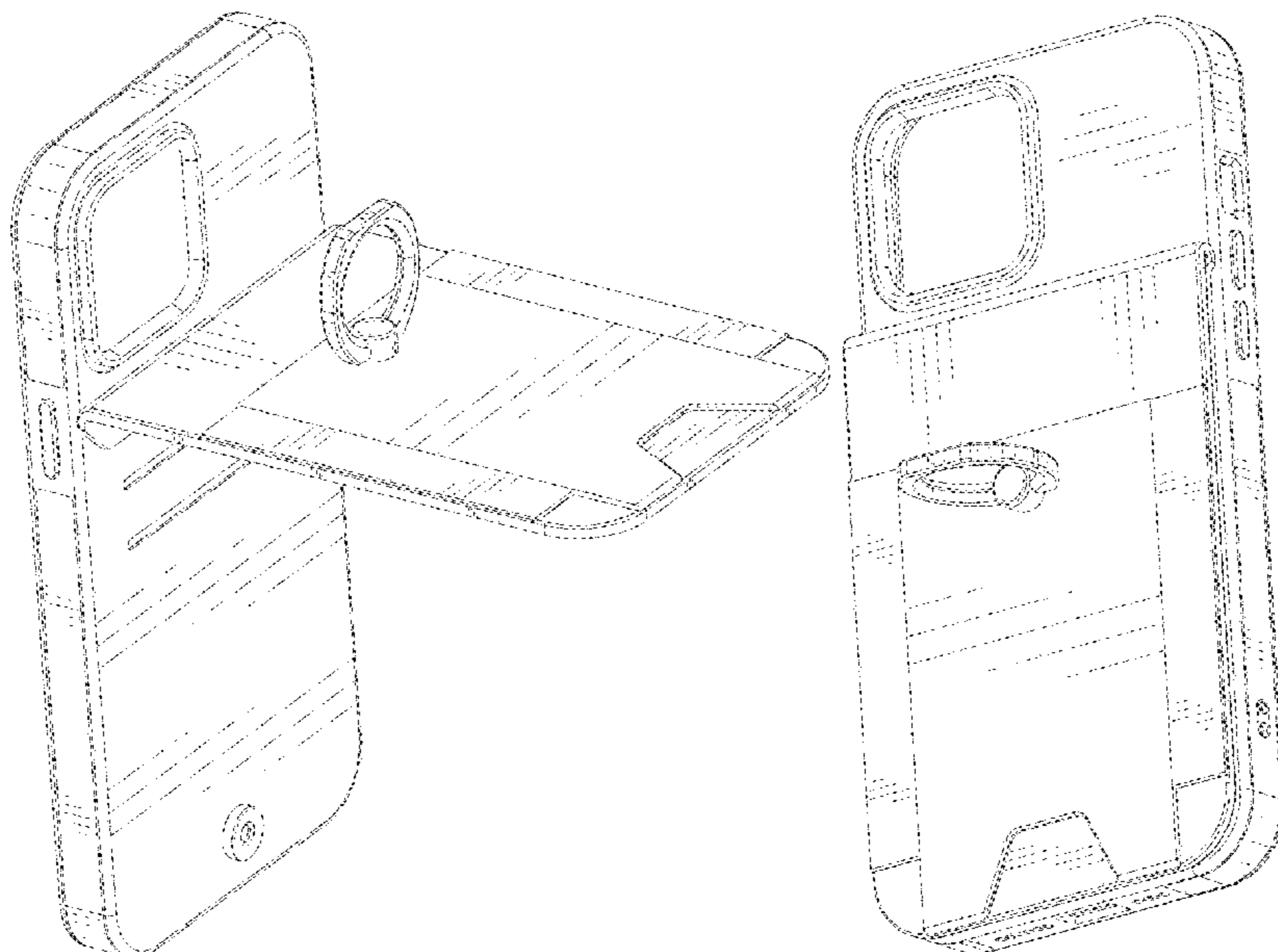
(57) **CLAIM**

The ornamental design for a combined mobile phone case and card case, as shown and described.

**DESCRIPTION**

FIG. 1 is a rear, right side and top perspective view of a combined mobile phone case and card case, showing my new design in a fully open and extended state;  
FIG. 2 is a rear, left side and bottom perspective view thereof;  
FIG. 3 is a front, right side and top perspective view thereof;  
FIG. 4 is a front view thereof;  
FIG. 5 is a rear view thereof;  
FIG. 6 is a left side view thereof;  
FIG. 7 is a right side view thereof;  
FIG. 8 is a top view thereof;  
FIG. 9 is a bottom view thereof;  
FIG. 10 is a rear, left side and bottom perspective view shown in a fully folded state;  
FIG. 11 is a rear, left side and bottom perspective view, shown in a partially folded state with the ring holder feature extended; and,  
FIG. 12 is a rear, right side and bottom perspective view thereof.

**1 Claim, 12 Drawing Sheets**



(56)

**References Cited**

U.S. PATENT DOCUMENTS

2014/0055927 A1\* 2/2014 Wang ..... H05K 7/00  
361/679.01  
2014/0262853 A1\* 9/2014 DeChant ..... A45C 1/06  
150/132  
2016/0039357 A1\* 2/2016 Jang ..... F16M 13/00  
224/567

OTHER PUBLICATIONS

Vaburs Wallet Case for iPhone 13 Pro Kickstand Case with Credit Card Holder, publication date Oct. 8, 2021, [online] URL: <https://www.amazon.com/Vaburs-Kickstand-Pattern-Premium-Shockproof-Protective/dp/B09GPD27RB> (Year: 2021).\*

\* cited by examiner

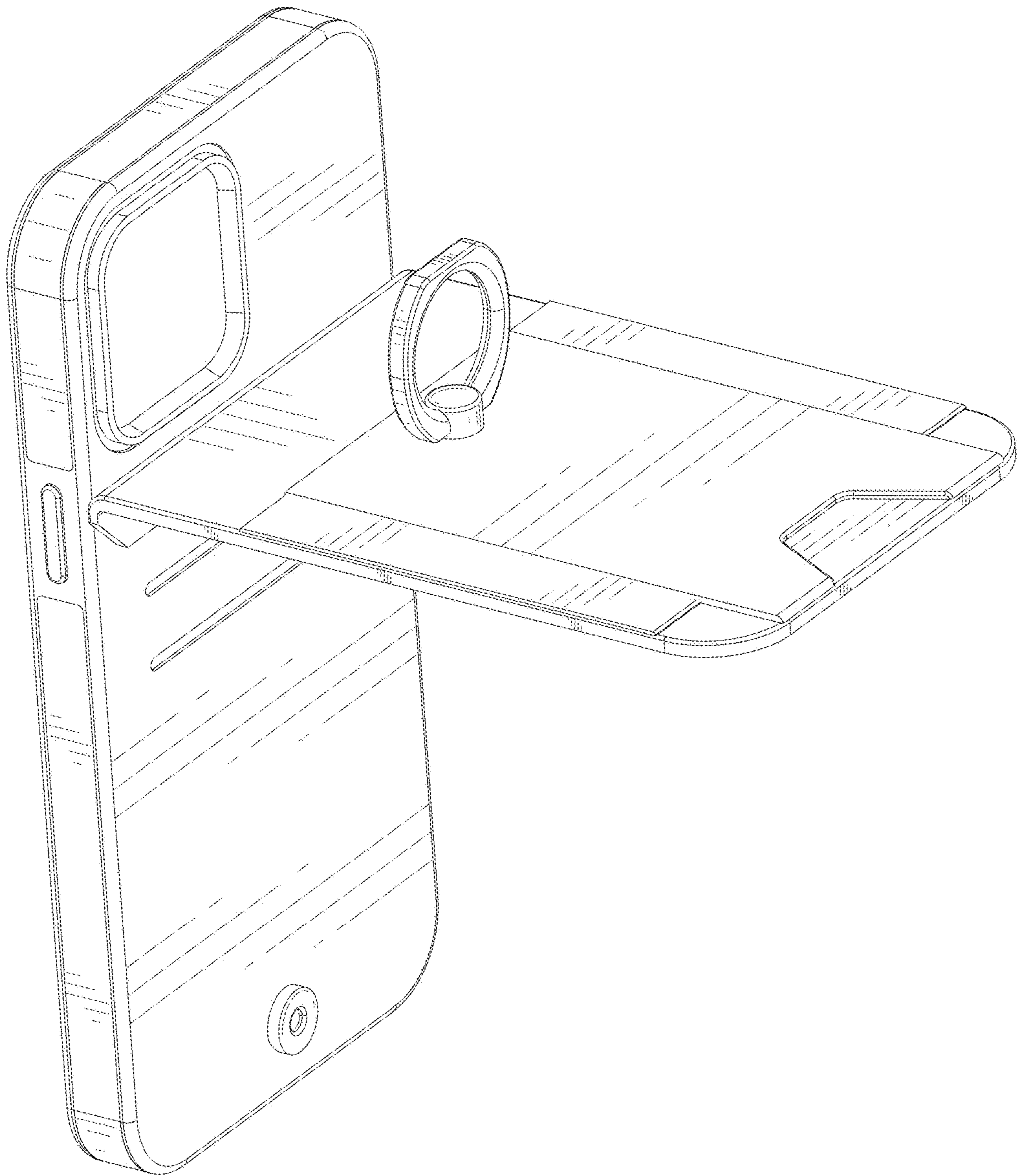


FIG. 1



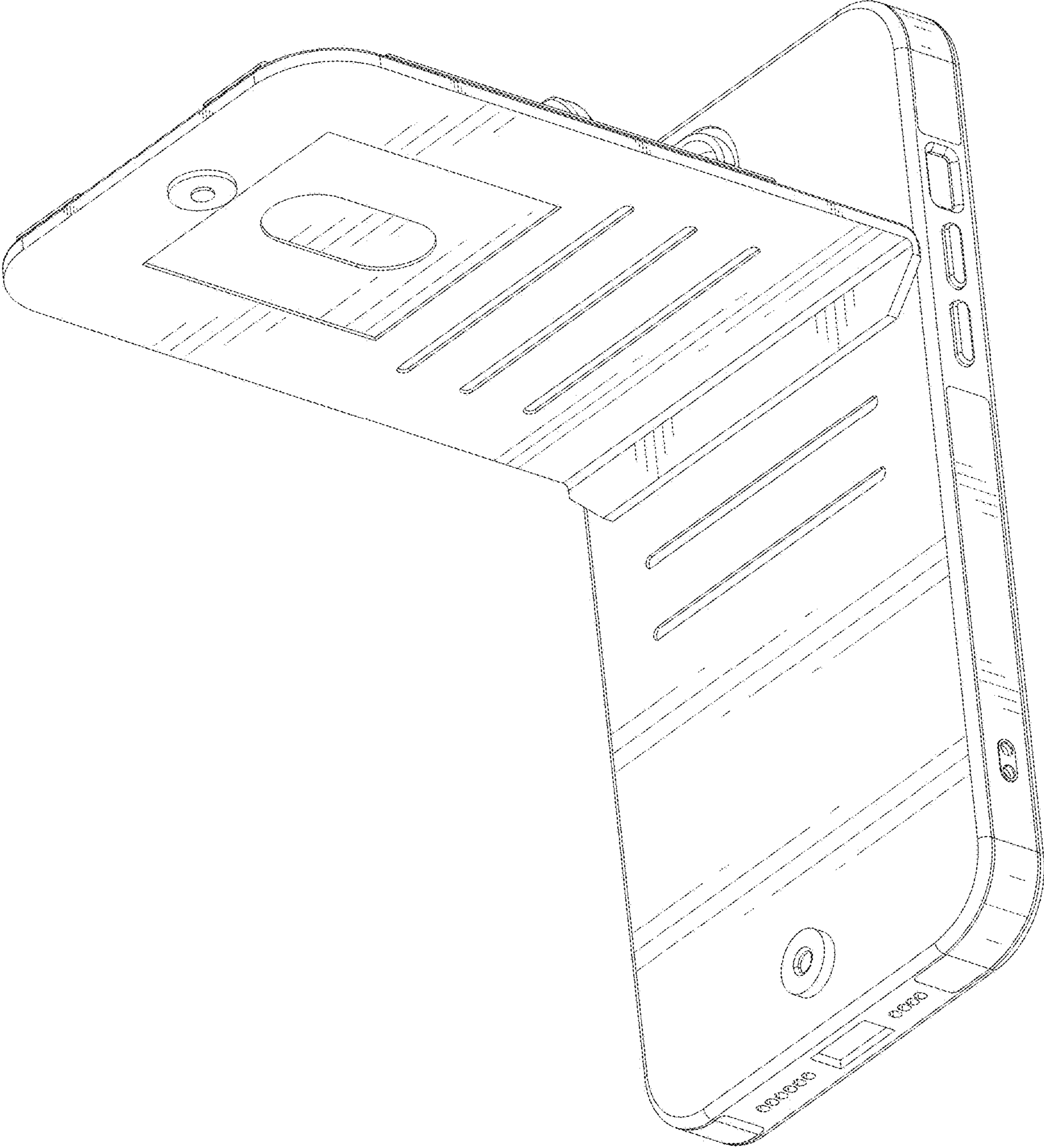


FIG. 2

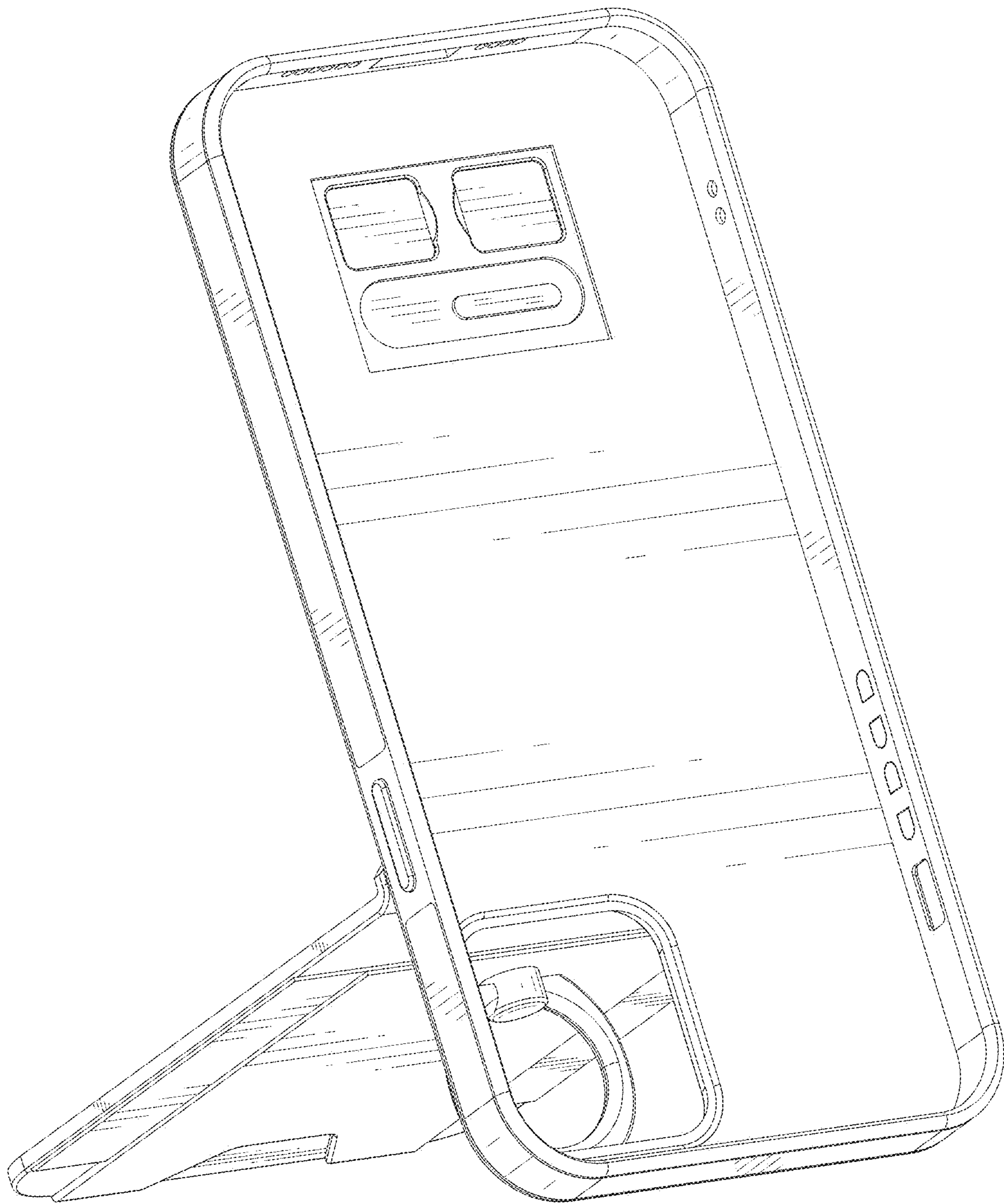


FIG. 3

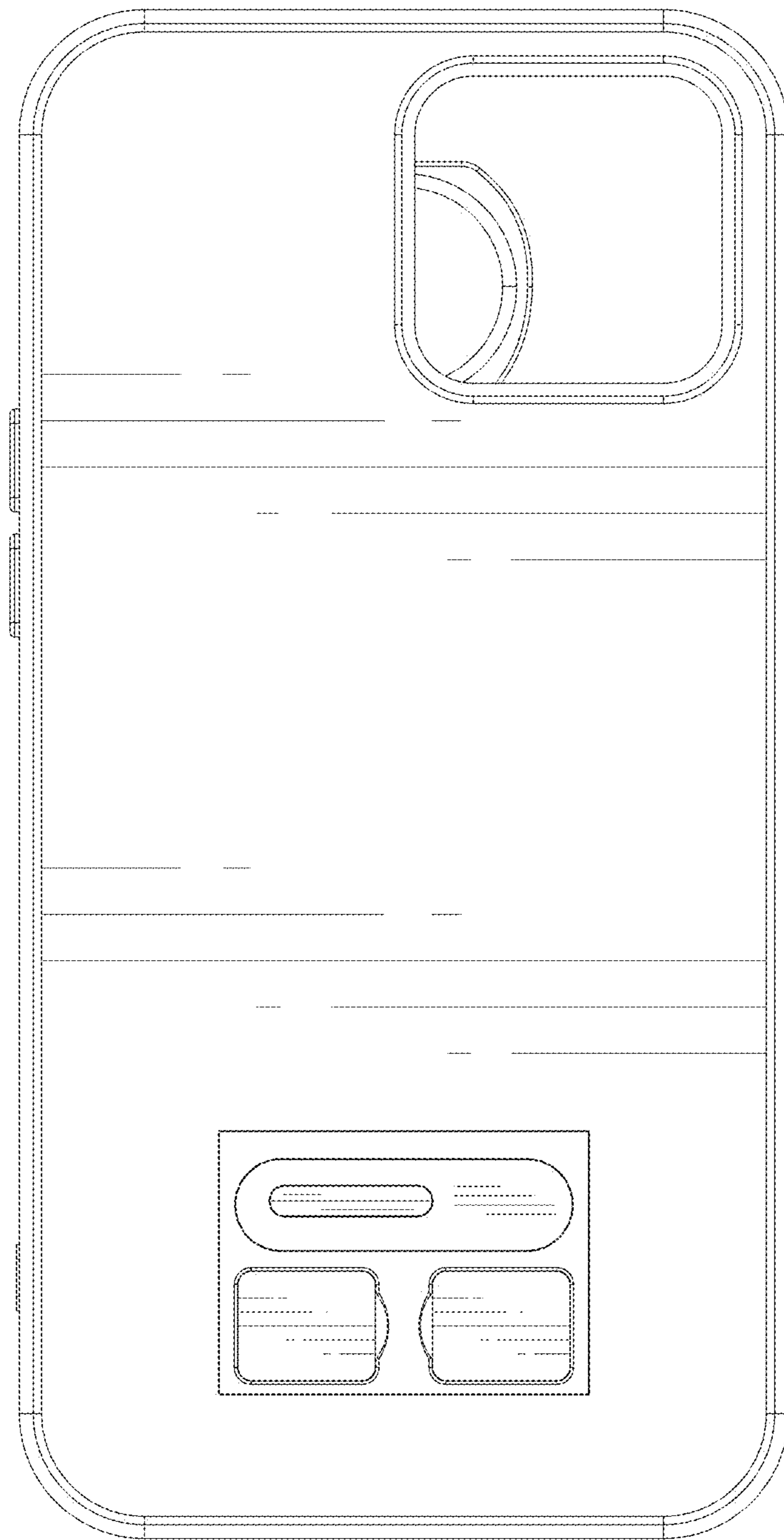


FIG. 4

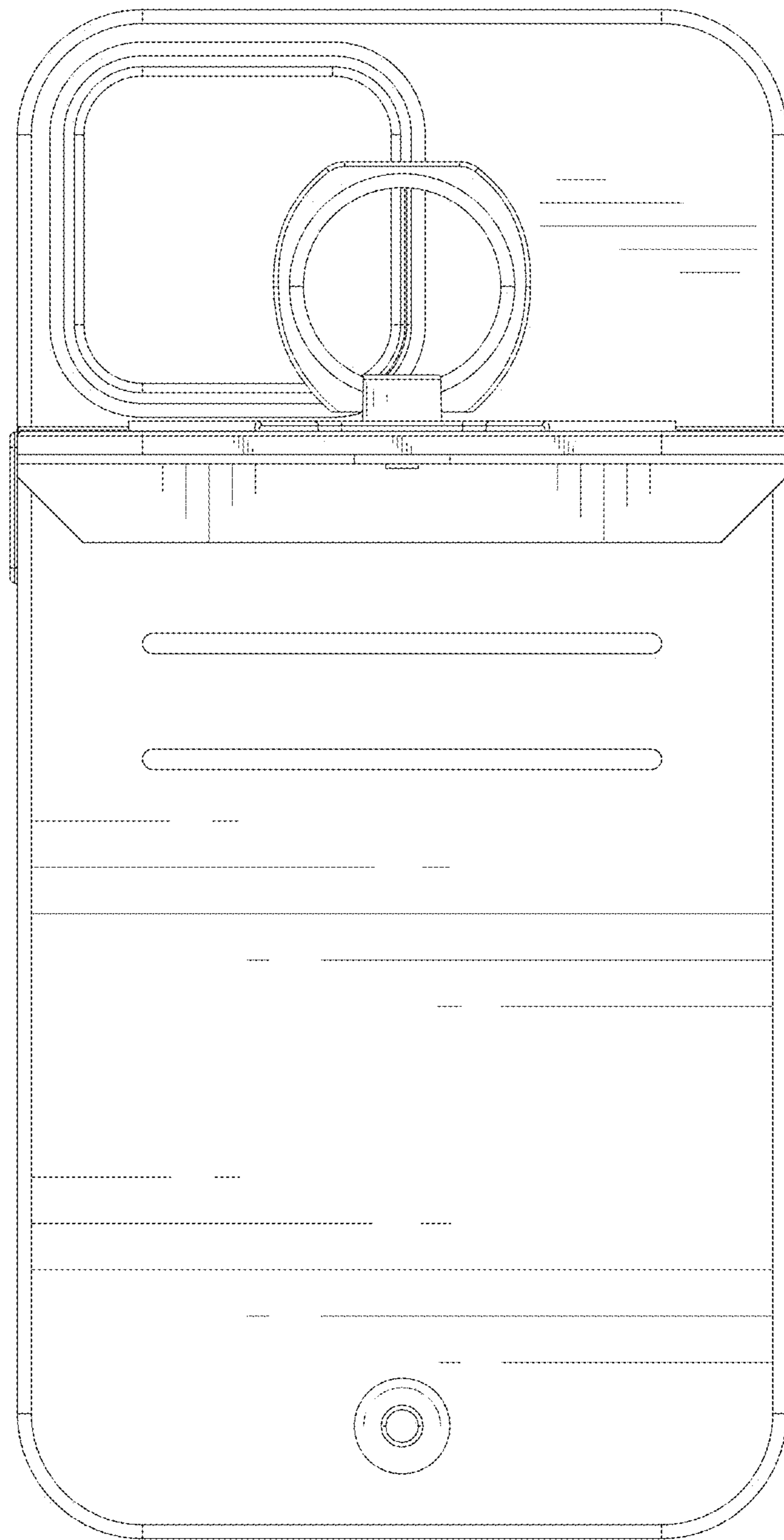


FIG. 5

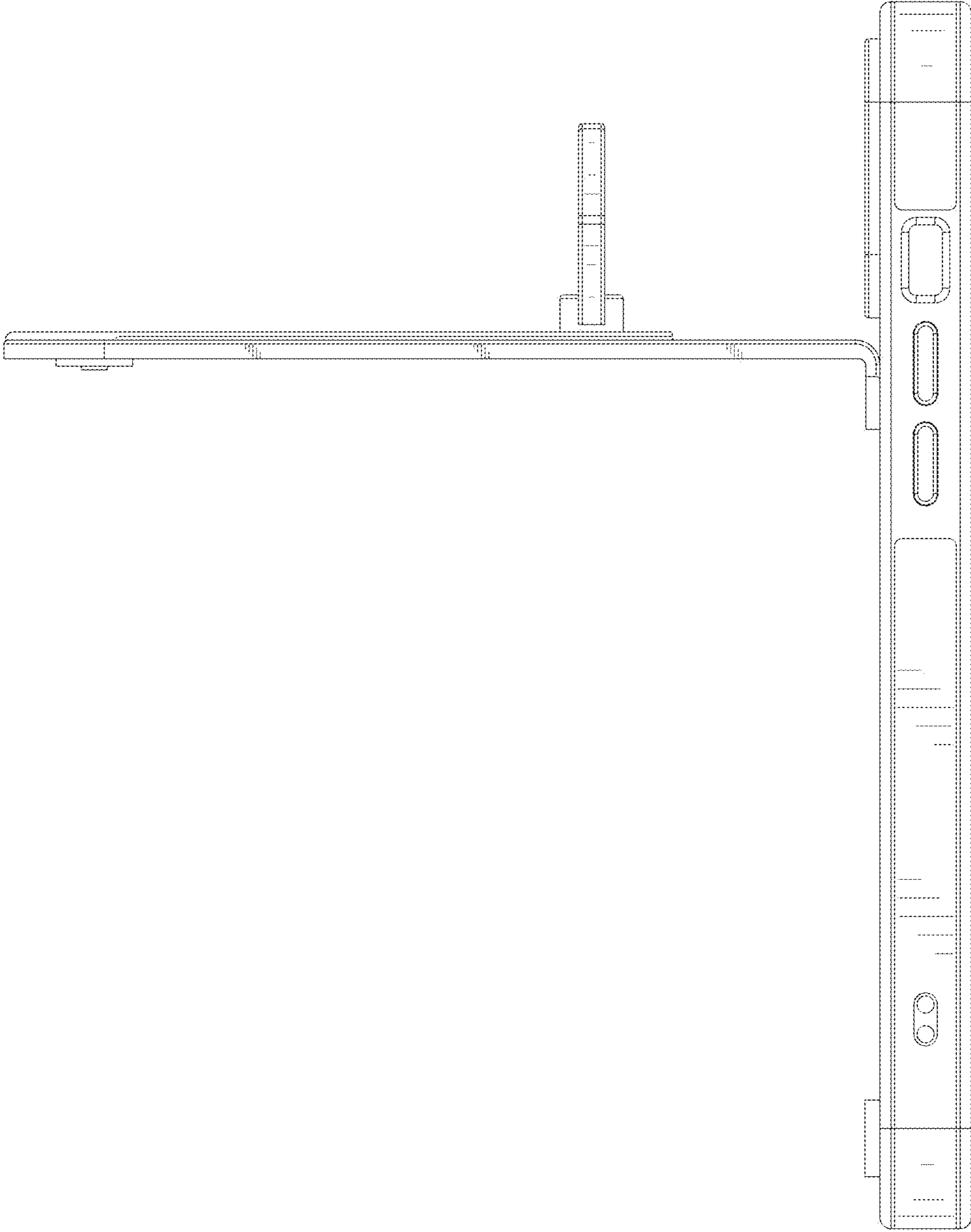


FIG. 6



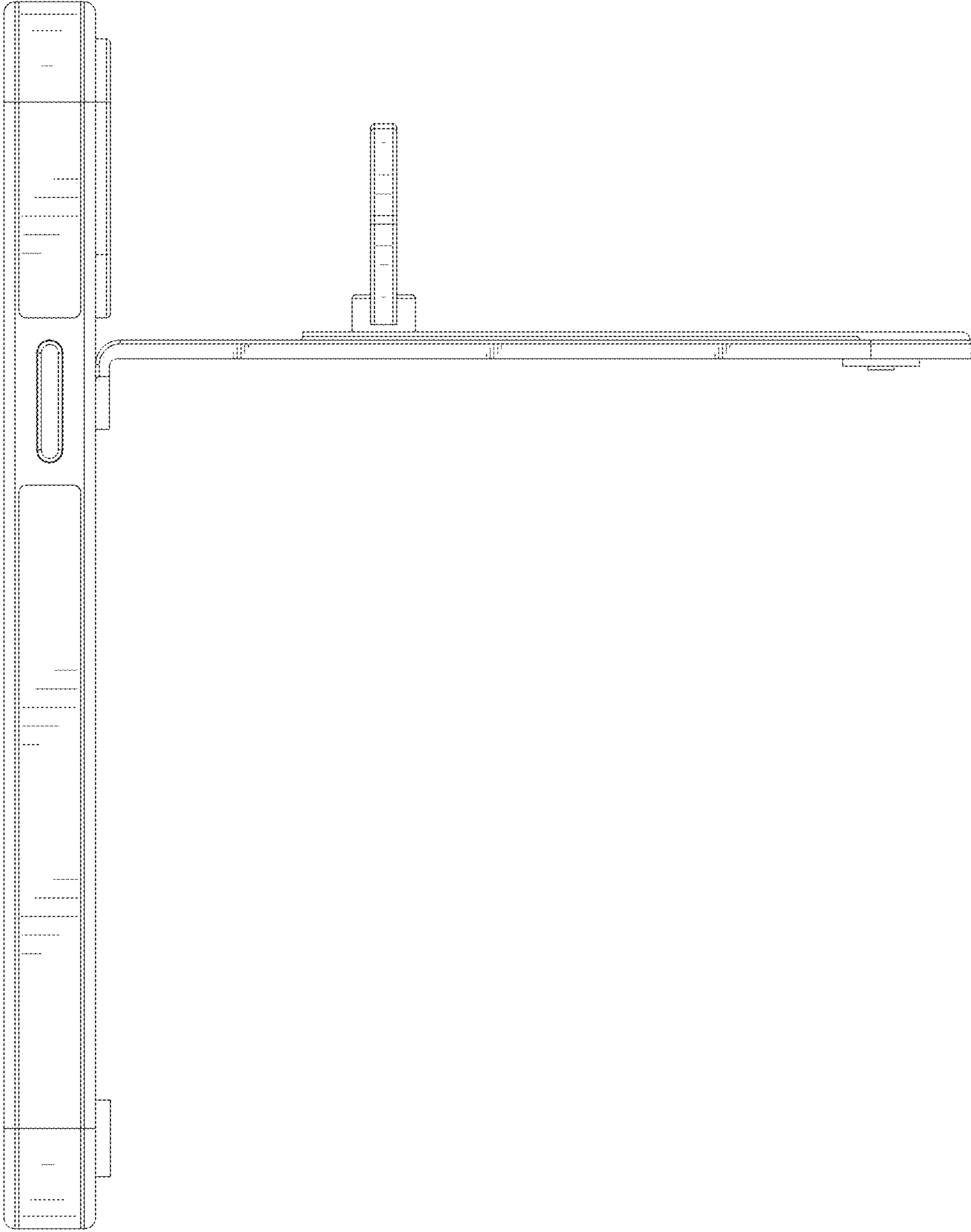


FIG. 7

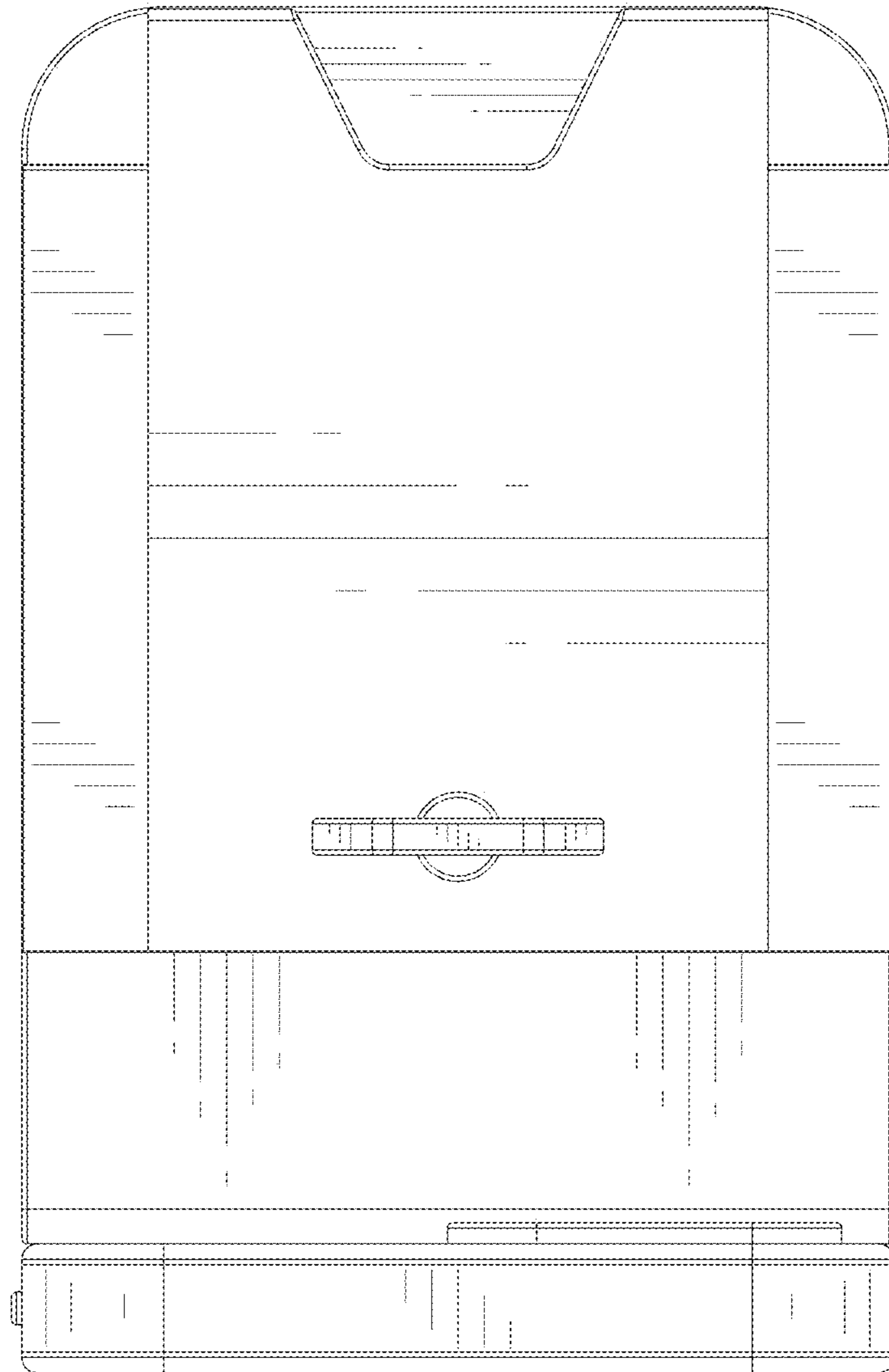


FIG. 8

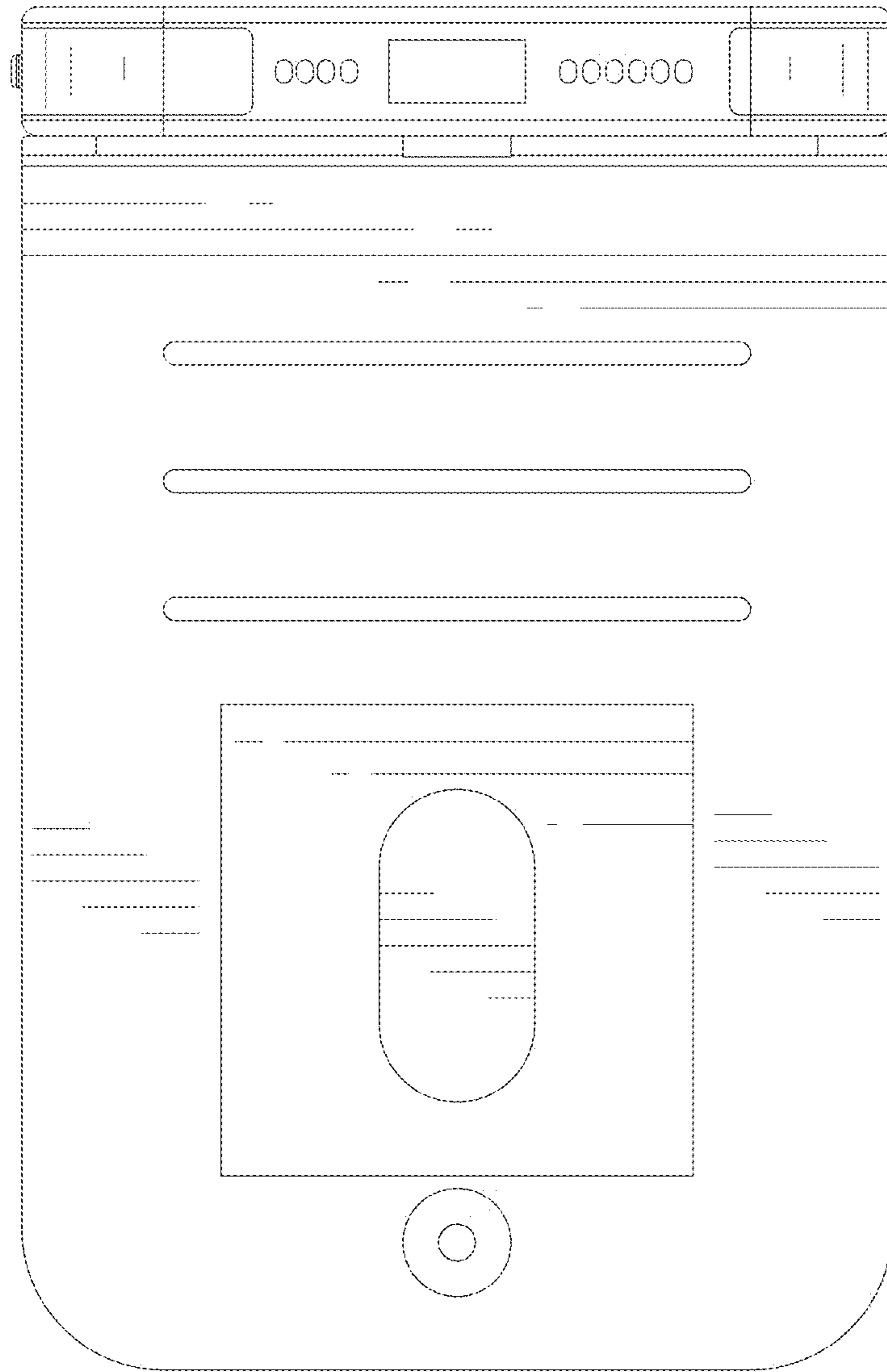


FIG. 9

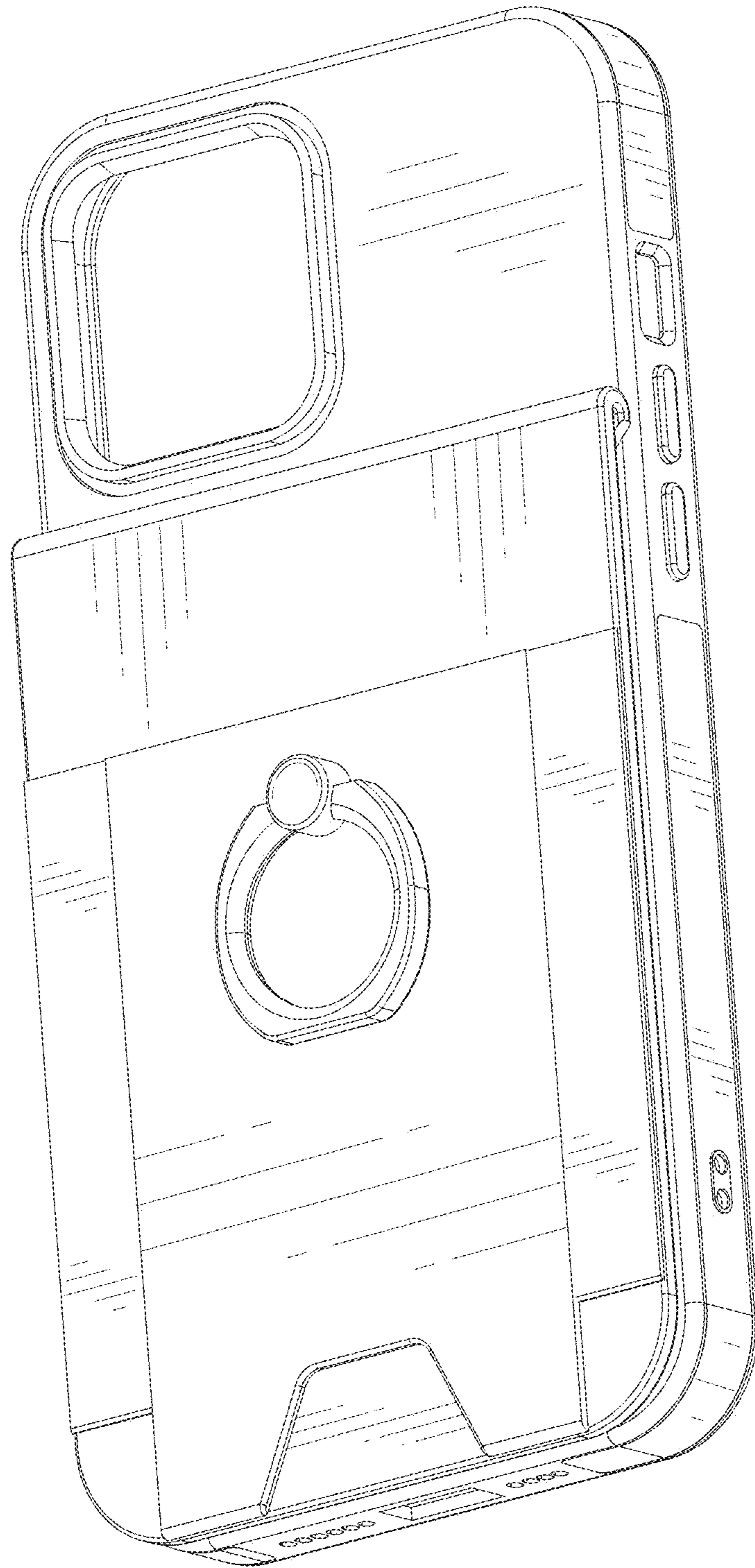


FIG. 10



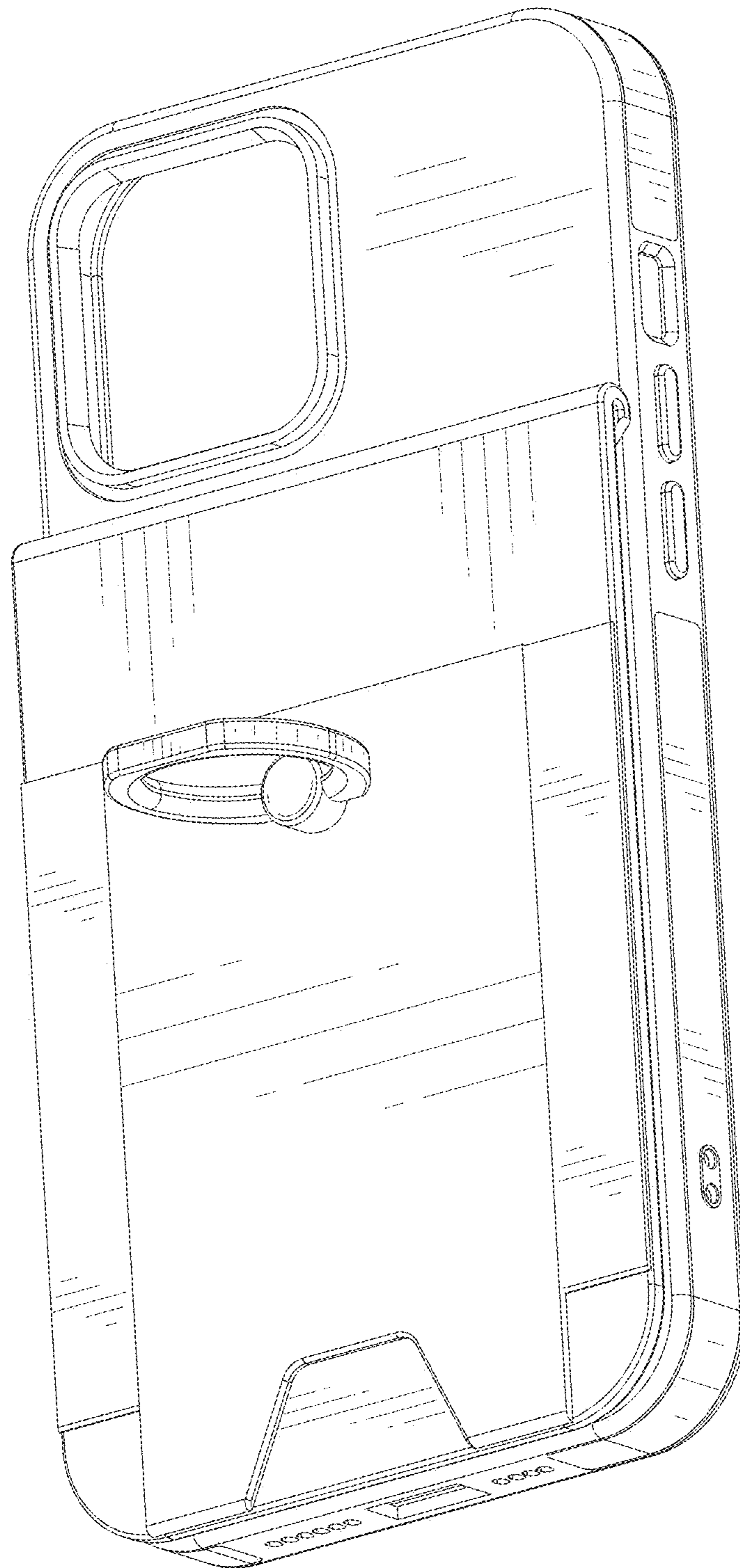


FIG. 11

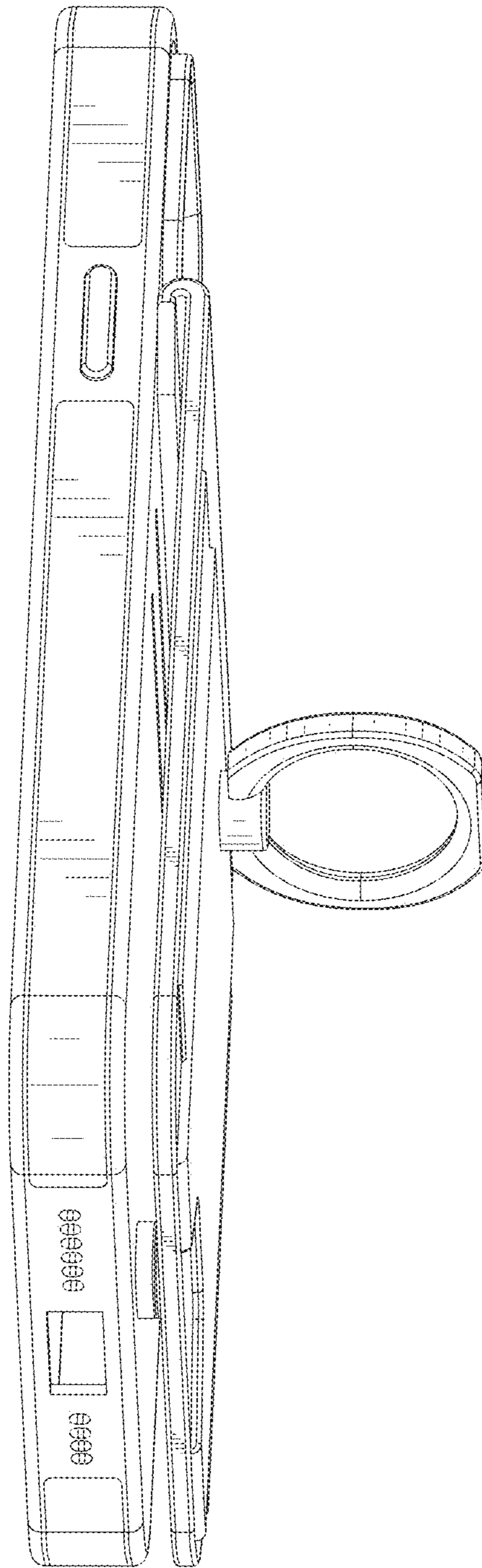


FIG. 12