



US00D982569S

(12) **United States Design Patent**  
**Li**

(10) **Patent No.:** **US D982,569 S**  
(45) **Date of Patent:** **\*\* Apr. 4, 2023**

- (54) **MOBILE PHONE CASE**
- (71) Applicant: **Zhuhua Li**, Shenzhen (CN)
- (72) Inventor: **Zhuhua Li**, Shenzhen (CN)
- (\*\*) Term: **15 Years**
- (21) Appl. No.: **29/850,864**
- (22) Filed: **Aug. 24, 2022**
- (51) **LOC (14) Cl.** ..... **14-03**
- (52) **U.S. Cl.**  
USPC ..... **D14/250**
- (58) **Field of Classification Search**  
USPC ..... D14/203.3, 203.4, 203.5, 203.6, 203.7,  
D14/439, 447, 251, 252, 253, 217, 240,  
D14/238.1, 248, 440, 250; D13/103, 107,  
D13/108, 119; D3/201, 218, 247, 249,  
D3/269, 273, 301, 303  
CPC ..... A45C 11/00; A45C 2011/002; A45C 1/06;  
A45C 13/02; A45F 2200/0525; A45F  
2005/026; A45F 2200/0516; H04M  
1/0283; H04M 1/0202; H04B 1/3888  
See application file for complete search history.

(56) **References Cited**

**U.S. PATENT DOCUMENTS**

D685,779 S *	7/2013	Schriefer .....	D14/250
D746,801 S *	1/2016	Pan .....	D14/250
D746,805 S *	1/2016	Kim .....	D14/250
D819,622 S *	6/2018	Wright .....	D14/250
D834,572 S *	11/2018	Jung .....	D14/250
D842,293 S *	3/2019	Ahn .....	D14/250
D851,080 S *	6/2019	Wei .....	D14/250
D852,184 S *	6/2019	Hyun .....	D14/250
D855,610 S *	8/2019	Wei .....	D14/250
D898,015 S *	10/2020	Kwak .....	D14/250
D901,479 S *	11/2020	Altschul .....	D14/250
D902,913 S *	11/2020	Lee .....	D14/250
D903,647 S *	12/2020	Lin .....	D14/250

D905,676 S *	12/2020	Kim .....	D14/250
D907,621 S *	1/2021	Brown .....	D14/250
D917,445 S *	4/2021	Li .....	D14/250
D918,888 S *	5/2021	Feng .....	D14/250
D927,473 S *	8/2021	Wu .....	D14/250
D940,698 S	1/2022	Qu	
D945,990 S *	3/2022	Huang .....	D14/250
D961,573 S *	8/2022	Lin .....	D14/250
D967,084 S *	10/2022	Zhang .....	D14/250
2014/0076753 A1 *	3/2014	Limber .....	A45C 11/00 53/461
2014/0221056 A1 *	8/2014	Gandhi .....	H04B 1/3888 455/575.8
2016/0142522 A1 *	5/2016	Kim .....	A45C 11/00 455/575.8

\* cited by examiner

*Primary Examiner* — Carla J Wright

(74) *Attorney, Agent, or Firm* — Justin Lampel

(57) **CLAIM**

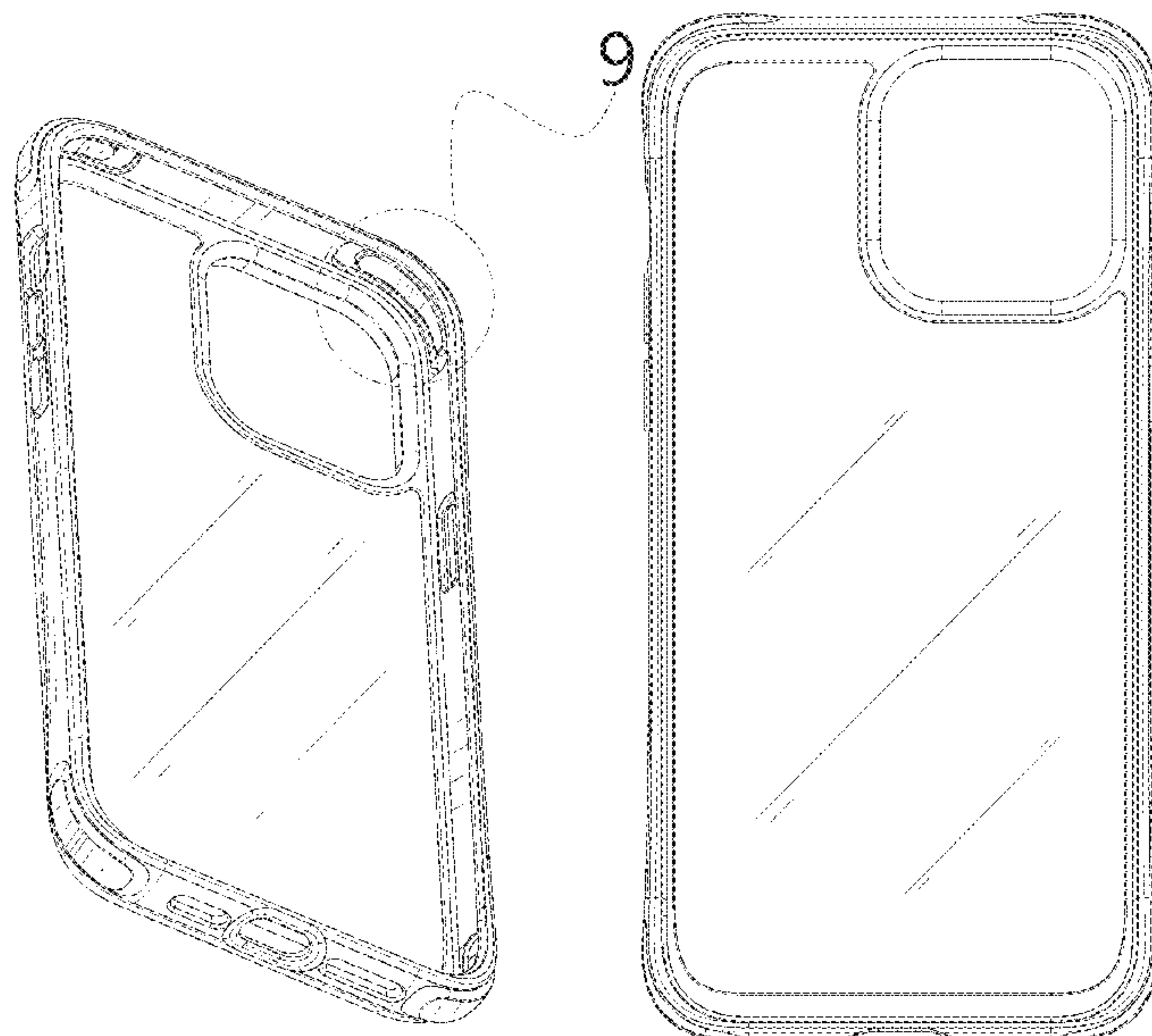
The ornamental design for a mobile phone case, as shown and described.

**DESCRIPTION**

FIG. 1 is a perspective view of a mobile phone case showing the claimed design;  
 FIG. 2 is another perspective view thereof;  
 FIG. 3 is a front elevational view thereof;  
 FIG. 4 is a rear elevational view thereof;  
 FIG. 5 is a left side view thereof;  
 FIG. 6 is a right side view thereof;  
 FIG. 7 is a top plan view thereof;  
 FIG. 8 is a bottom plan view thereof; and,  
 FIG. 9 is an enlarged detail view of the circled region of FIG. 1.

The dot-dash broken lines in FIGS. 1 and 9 form no part of the claimed design and delineate a portion of the claimed design that is shown on an enlarged scale in FIG. 9.

**1 Claim, 9 Drawing Sheets**



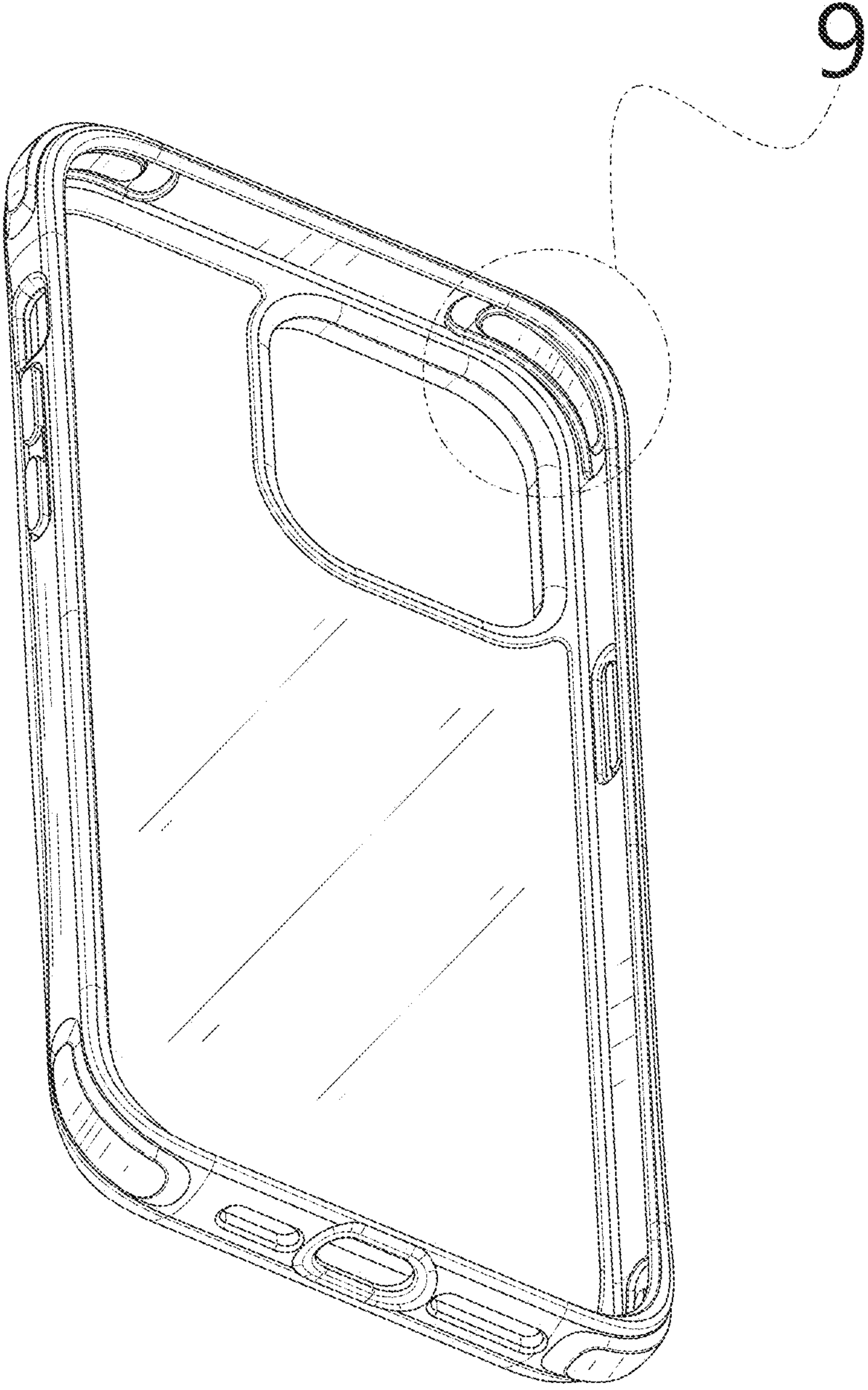


FIG. 1

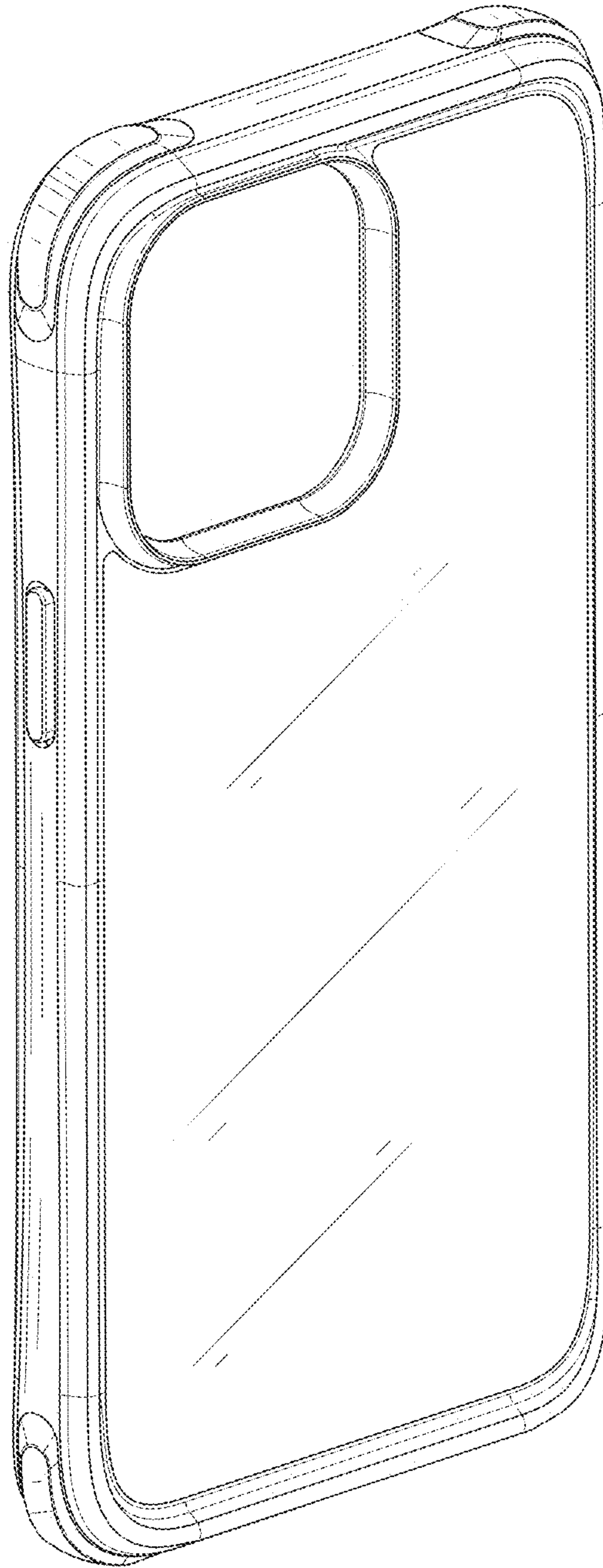


FIG. 2



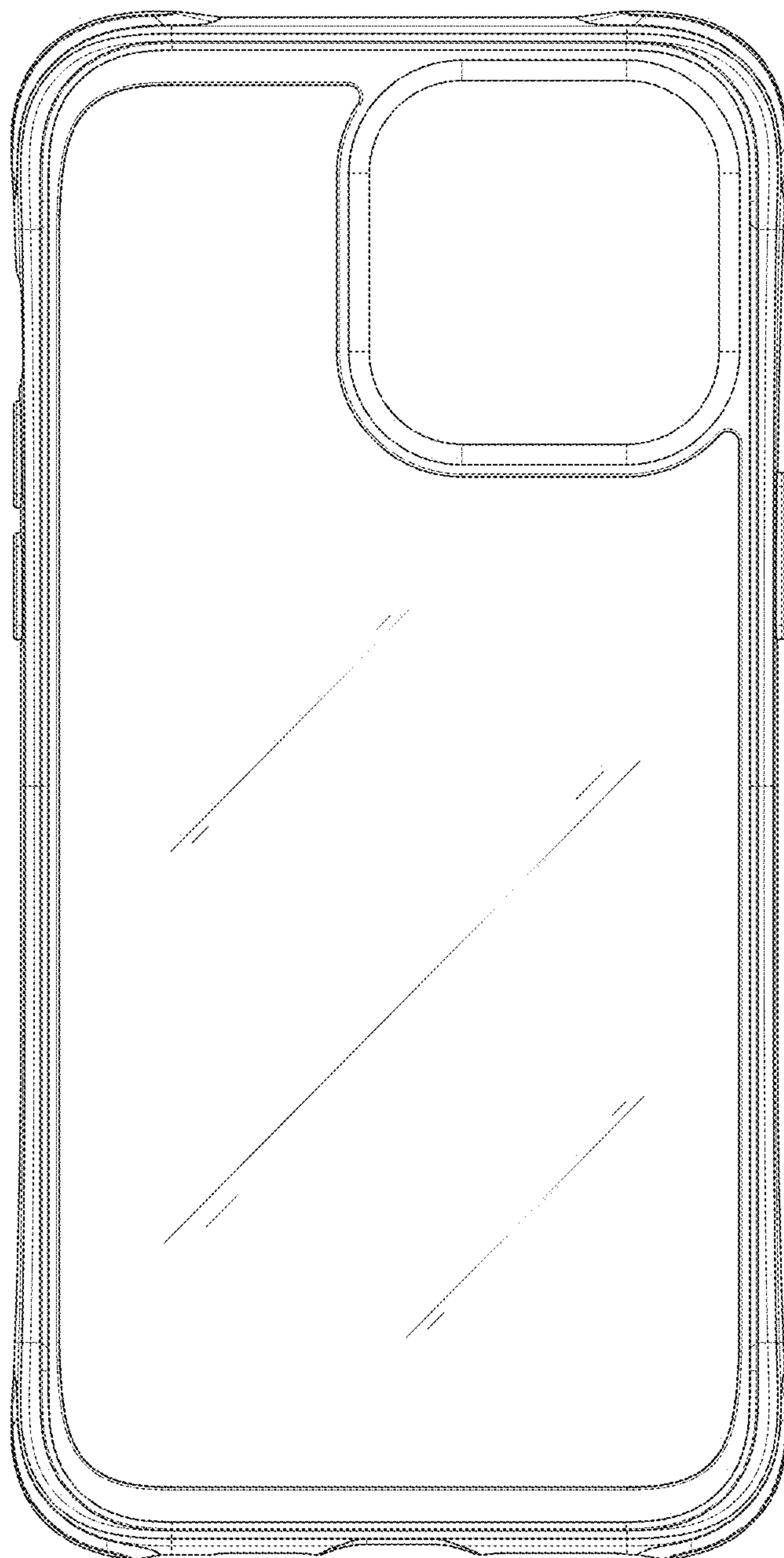


FIG. 3

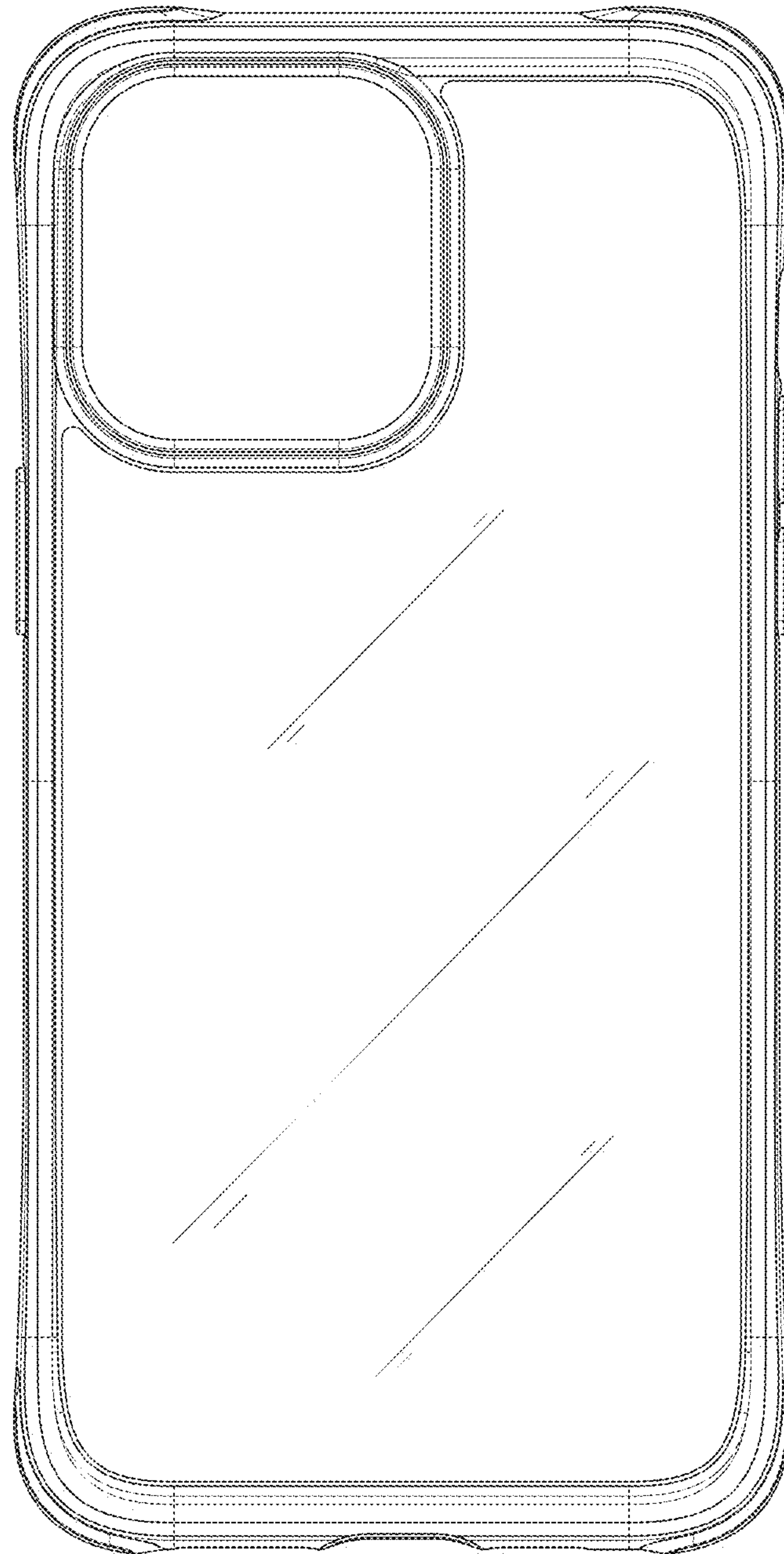


FIG. 4

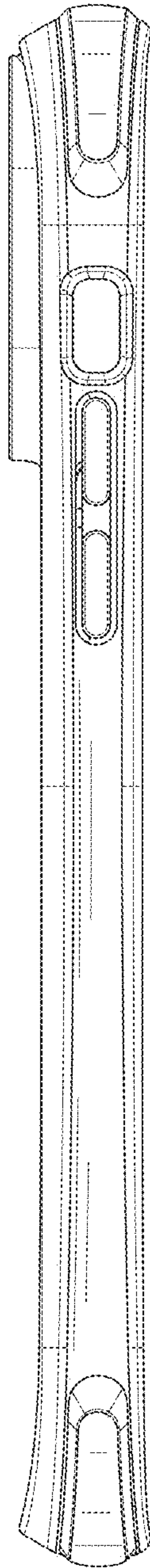


FIG. 5

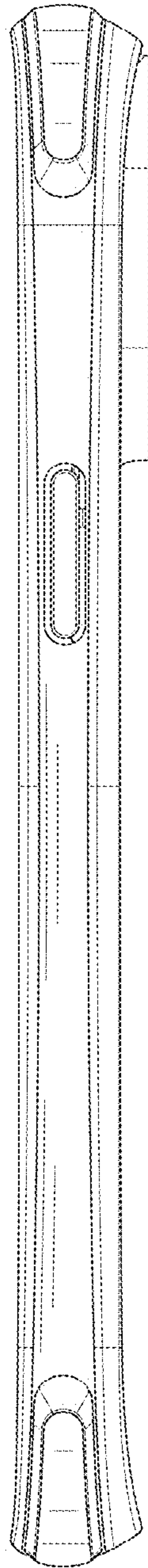


FIG. 6

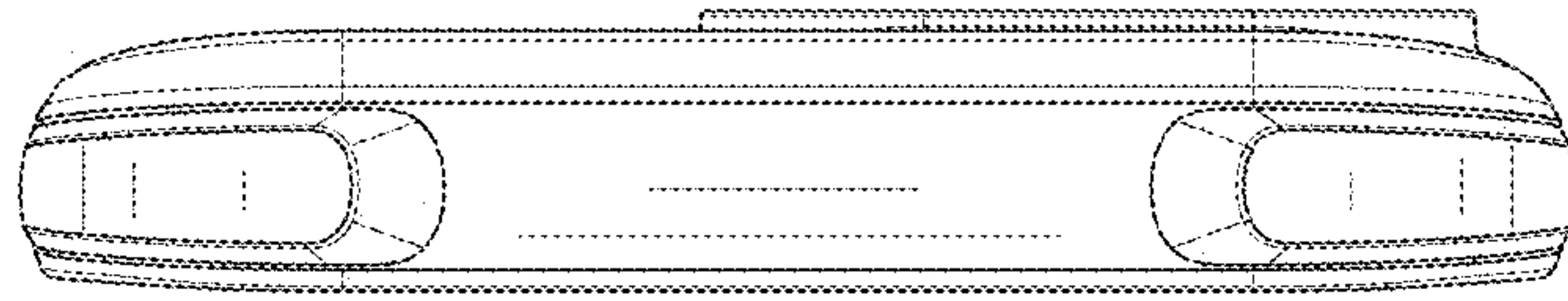


FIG. 7



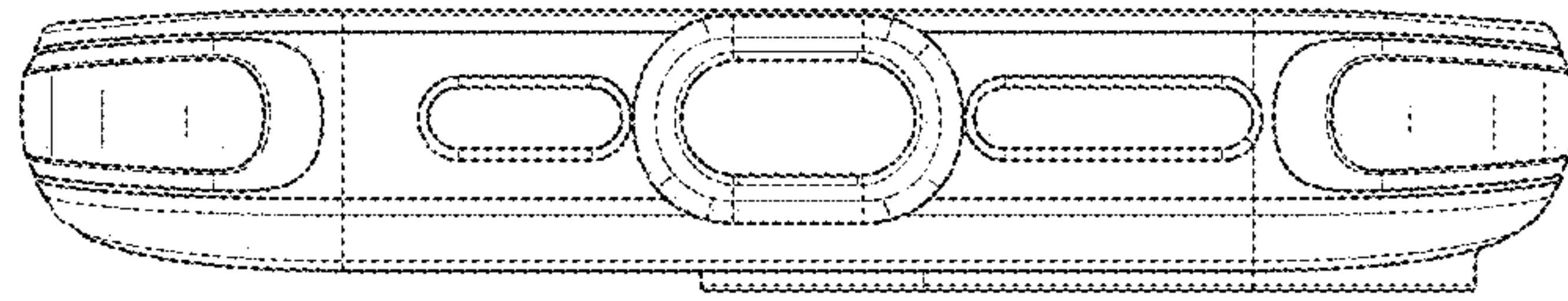


FIG. 8

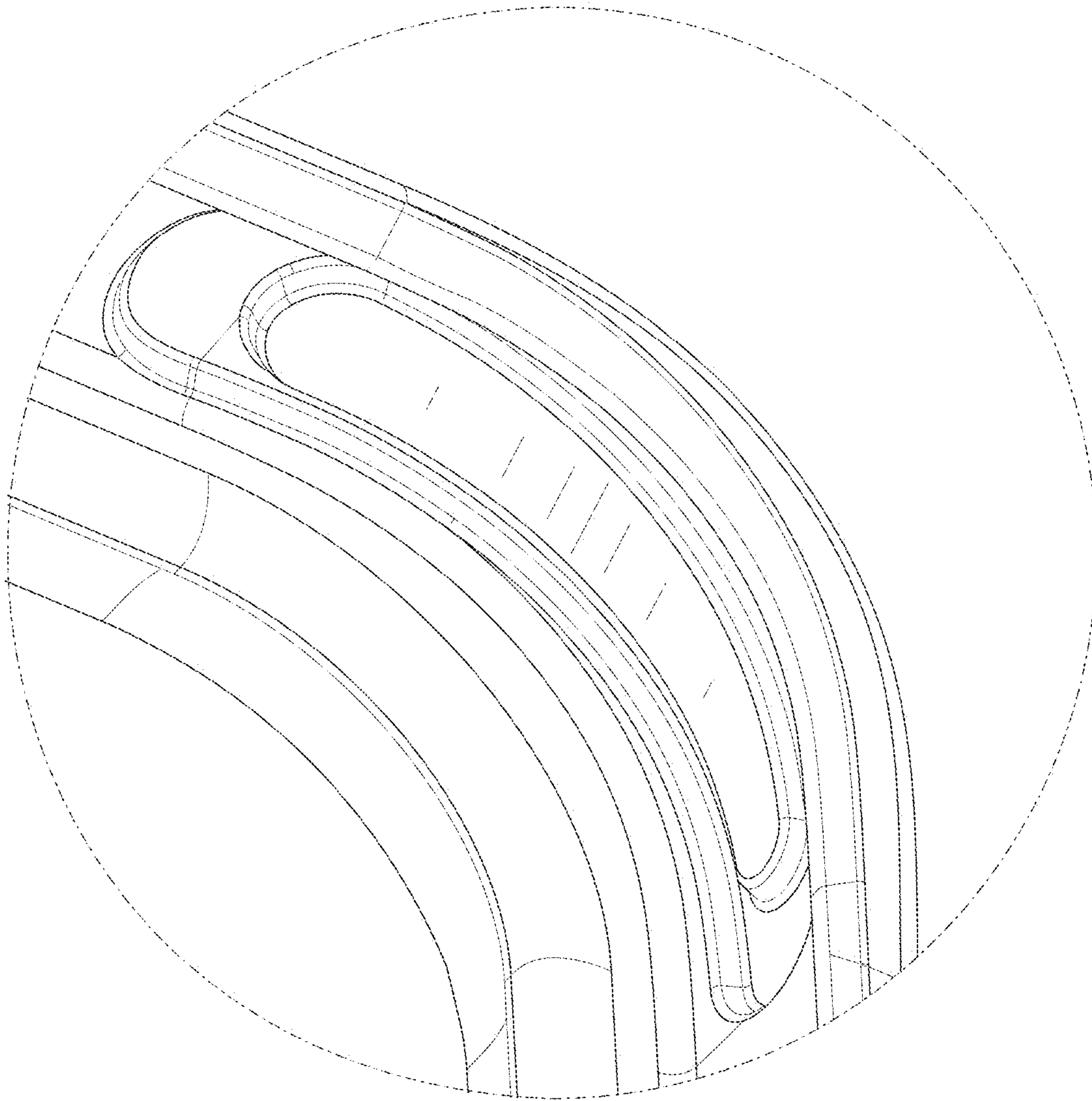


FIG. 9