



US00D982567S

(12) **United States Design Patent**  
**Liang et al.**

(10) **Patent No.:** **US D982,567 S**  
(45) **Date of Patent:** **\*\* Apr. 4, 2023**

(54) **ROUTER**

FOREIGN PATENT DOCUMENTS

(71) Applicant: **NANNING FULIAN FUGUI PRECISION INDUSTRIAL CO., LTD.**, Nanning (CN)

CN 306950088 \* 11/2021

\* cited by examiner

(72) Inventors: **Xiao-Min Liang**, Nanning (CN);  
**Zhi-Cheng Yu**, Shenzhen (CN)

*Primary Examiner* — Bridget L Eland

(74) *Attorney, Agent, or Firm* — ScienBiziP, P.C.

(73) Assignee: **Nanning FuLian FuGui Precision Industrial Co., Ltd.**, Nanning (CN)

(\*\*) Term: **15 Years**

(57) **CLAIM**

The ornamental design for a router, as shown and described.

(21) Appl. No.: **29/797,798**

(22) Filed: **Jul. 2, 2021**

**DESCRIPTION**

(30) **Foreign Application Priority Data**

Mar. 17, 2021 (CN) ..... 202130142307.6

(51) **LOC (14) Cl.** ..... **14-03**

(52) **U.S. Cl.**  
USPC ..... **D14/240**

(58) **Field of Classification Search**  
USPC .... D14/240, 242, 357, 358, 140–140.9, 155,  
D14/125, 137, 139, 243, 348, 349, 351,  
D14/354, 355  
CPC ..... H04L 12/00; H03K 17/00; H04W 88/00;  
H04W 88/005; H04W 88/02; H04W  
88/08; H04W 88/085; H04W 88/10;  
H04W 88/12; H04W 88/14; H04B 1/38  
See application file for complete search history.

FIG. 1 is a front perspective view of a router showing our design.

FIG. 2 is a rear perspective view of the router in FIG. 1.

FIG. 3 is a bottom perspective view of the router in FIG. 1.

FIG. 4 is a front elevation view of the router in FIG. 1.

FIG. 5 is a rear elevation view of the router in FIG. 1.

FIG. 6 is a left side elevation view of the router in FIG. 1.

FIG. 7 is a right side elevation view of the router in FIG. 1.

FIG. 8 is a top plan view of the router in FIG. 1.

FIG. 9 is a bottom plan view of the router in FIG. 1.

FIG. 10 is an enlarged view of a portion of the router labeled 10 in FIG. 1; and,

FIG. 11 is an enlarged view of a portion of the router labeled 11 in FIG. 3.

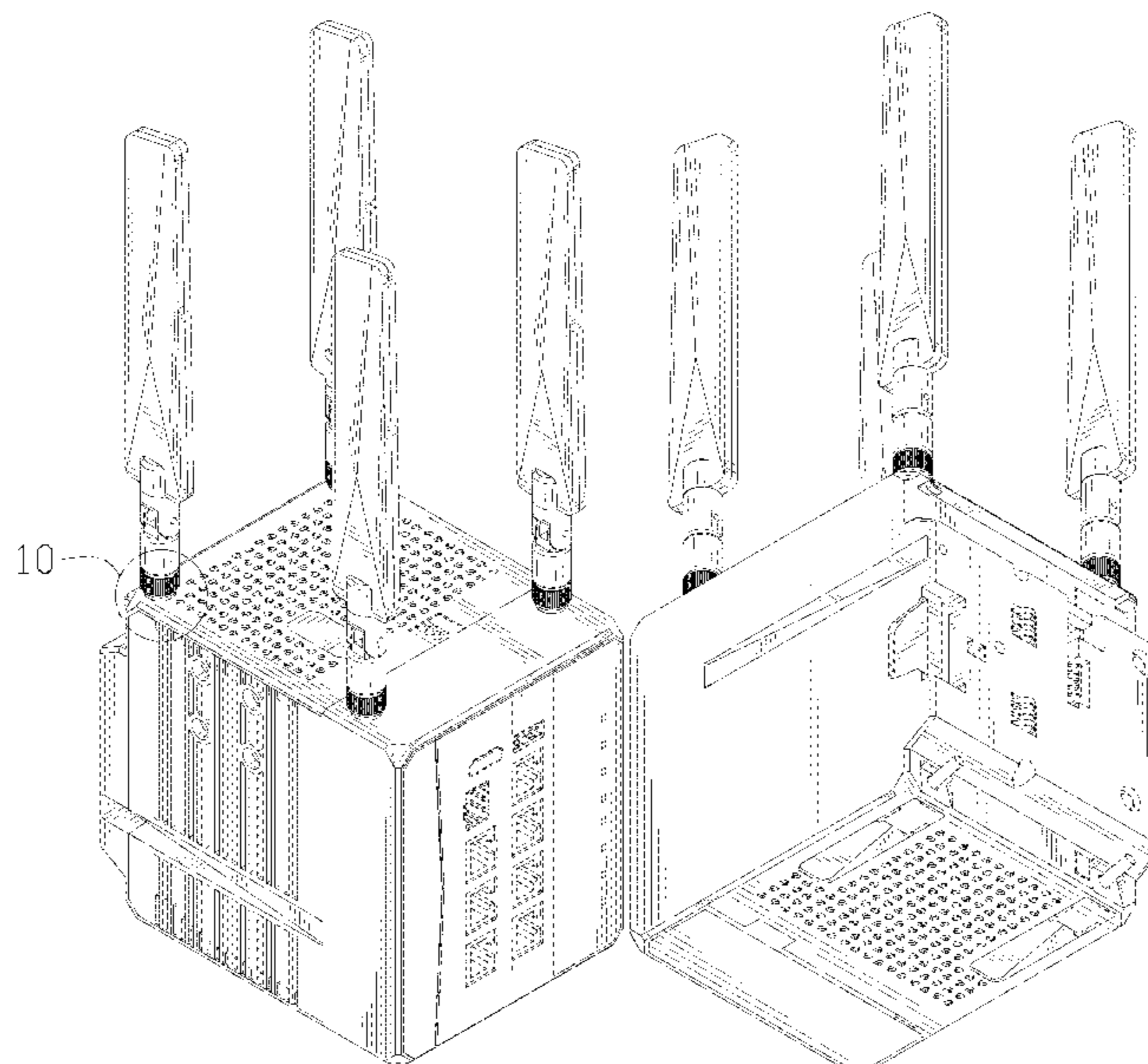
The broken lines in the drawings show portions of the router, which form no part of the claimed design.

(56) **References Cited**

U.S. PATENT DOCUMENTS

D357,234 S *	4/1995	Yoshihara	.....	D14/137
D478,577 S *	8/2003	Kolls	.....	D14/240
D598,906 S *	8/2009	Chiba	.....	D14/240
D908,116 S *	1/2021	Ye	.....	D14/125

**1 Claim, 11 Drawing Sheets**



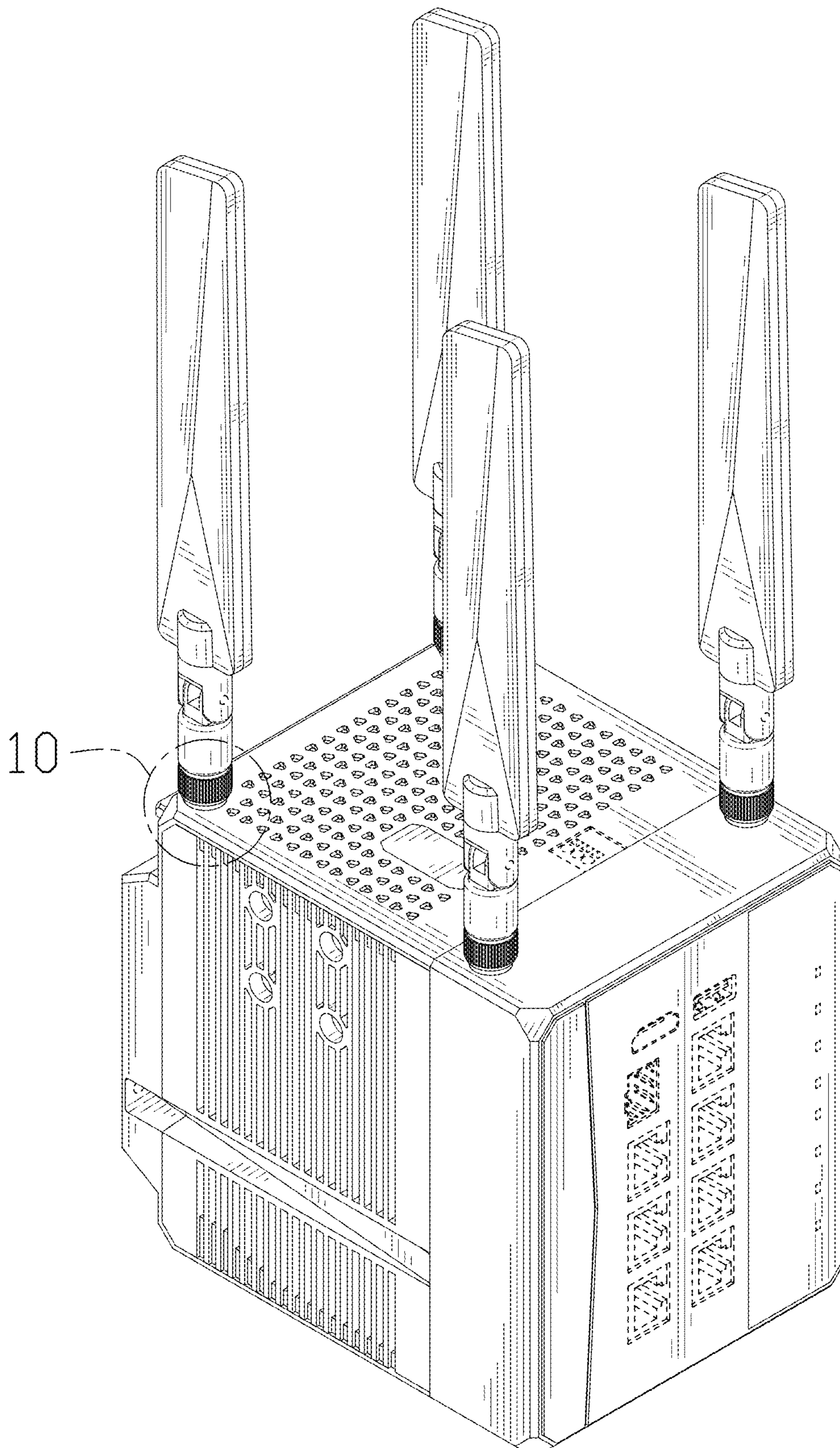


FIG. 1

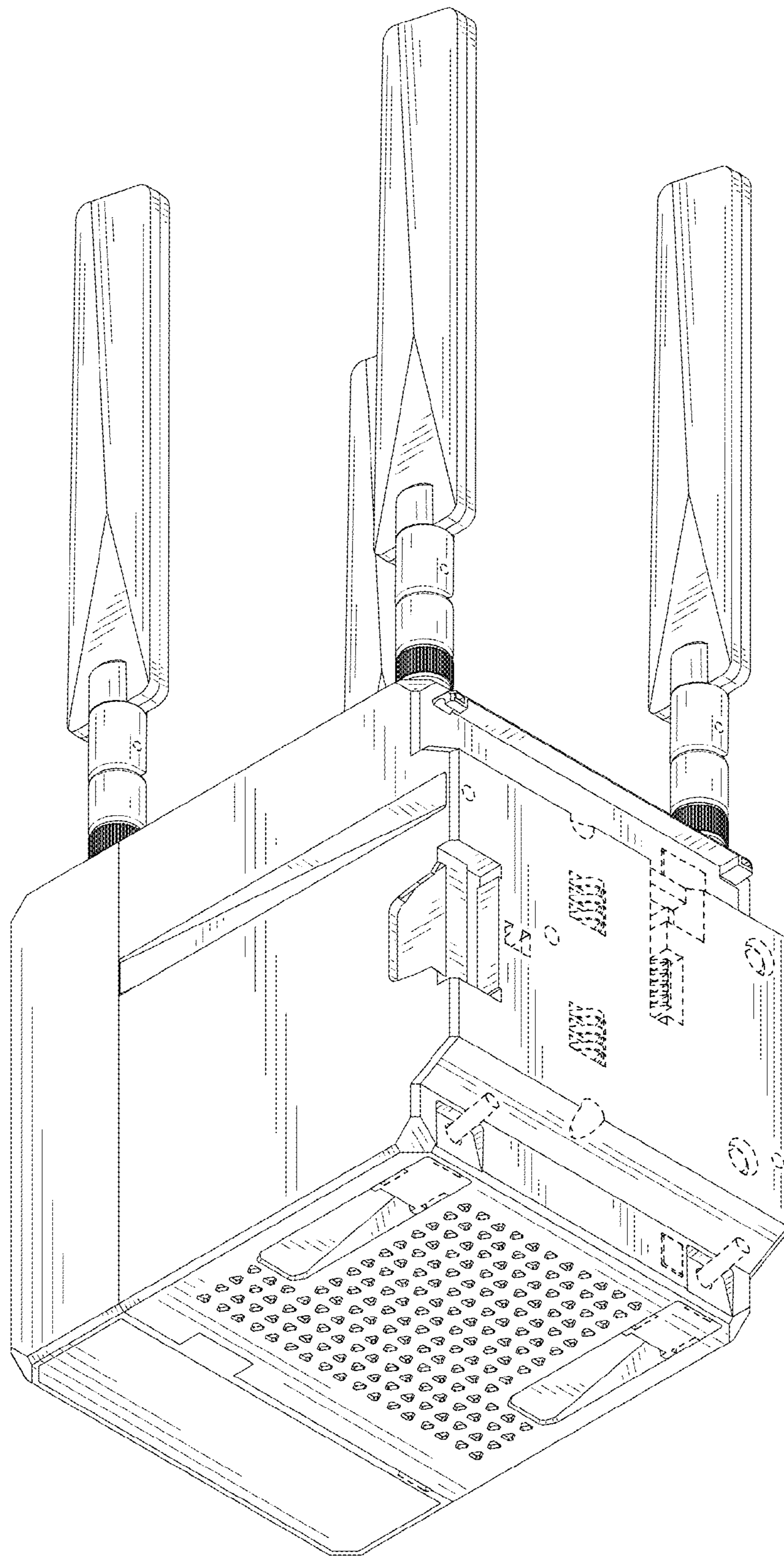


FIG. 2

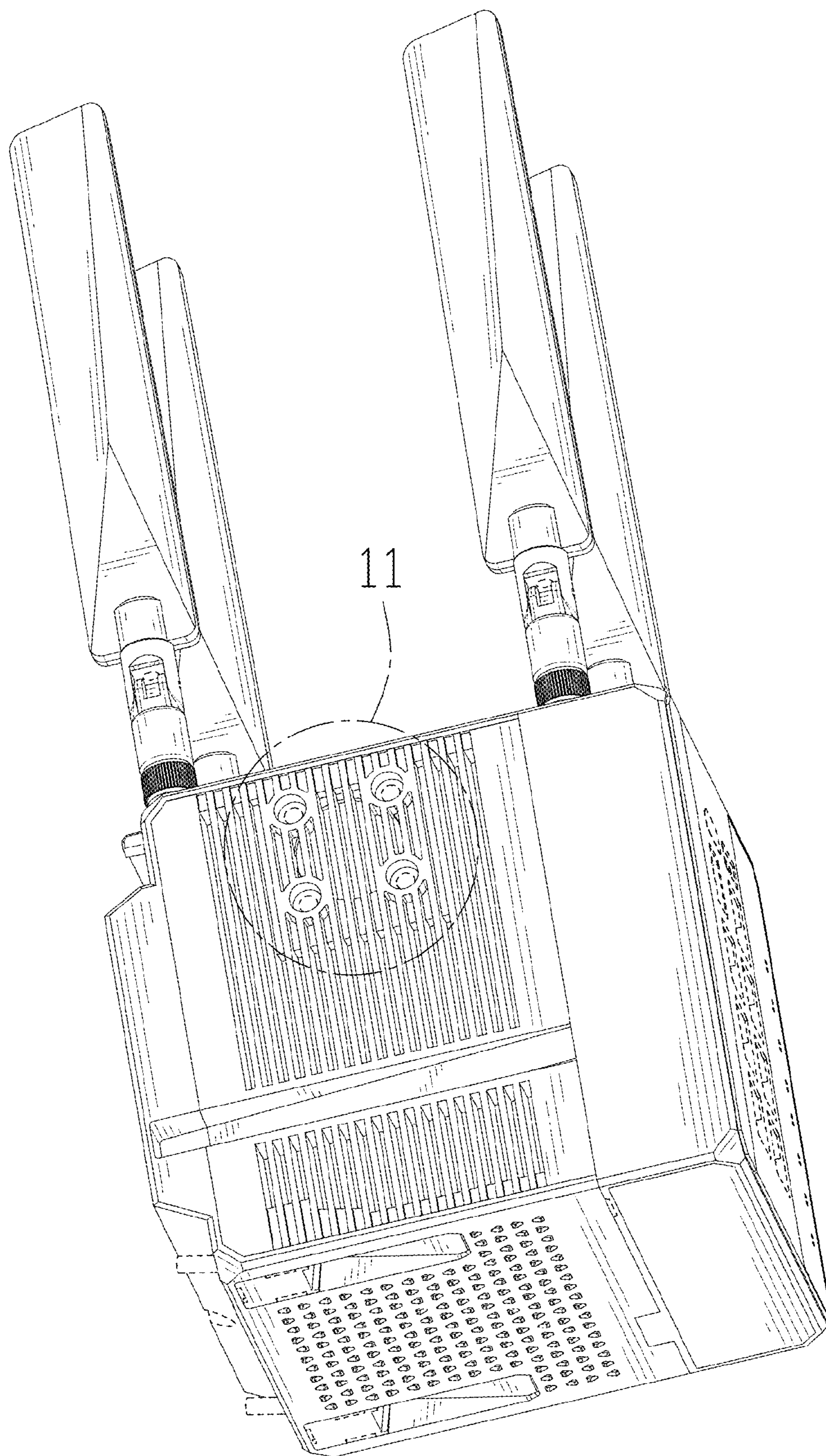


FIG. 3

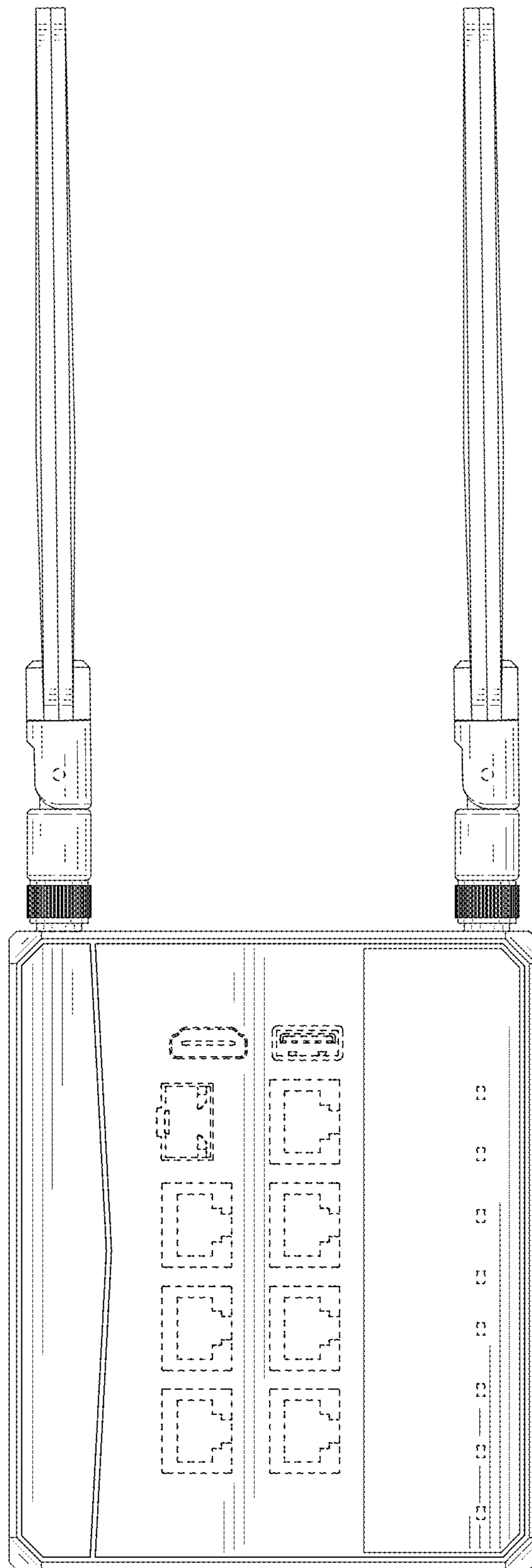


FIG. 4

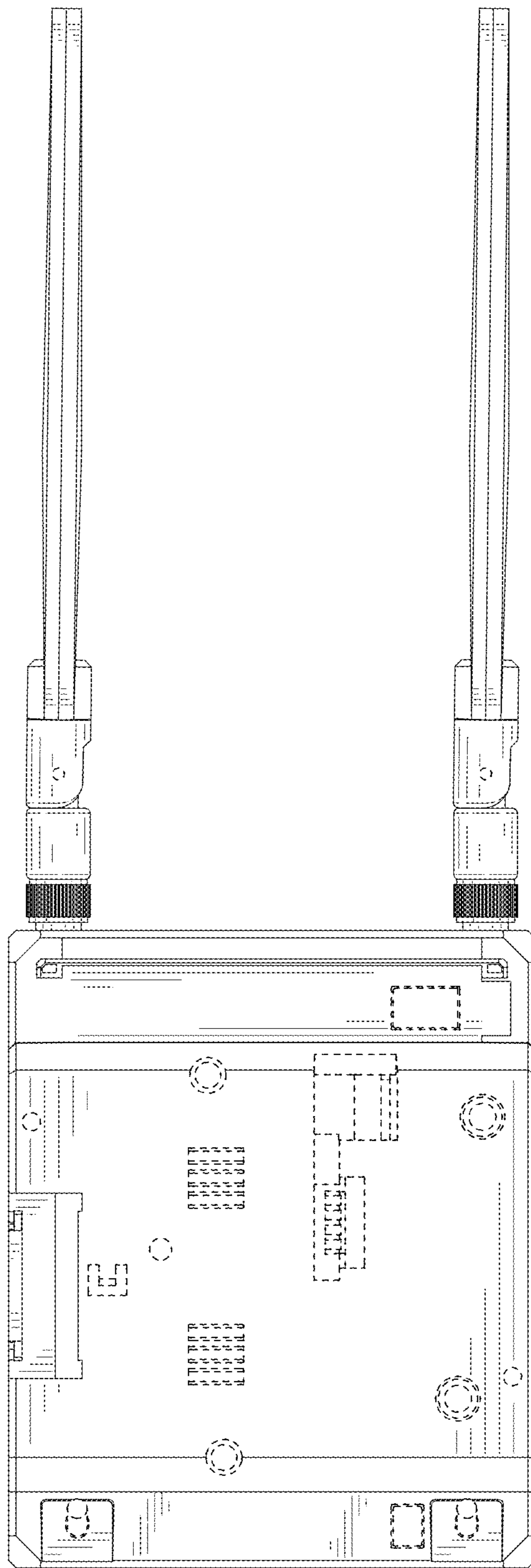


FIG. 5

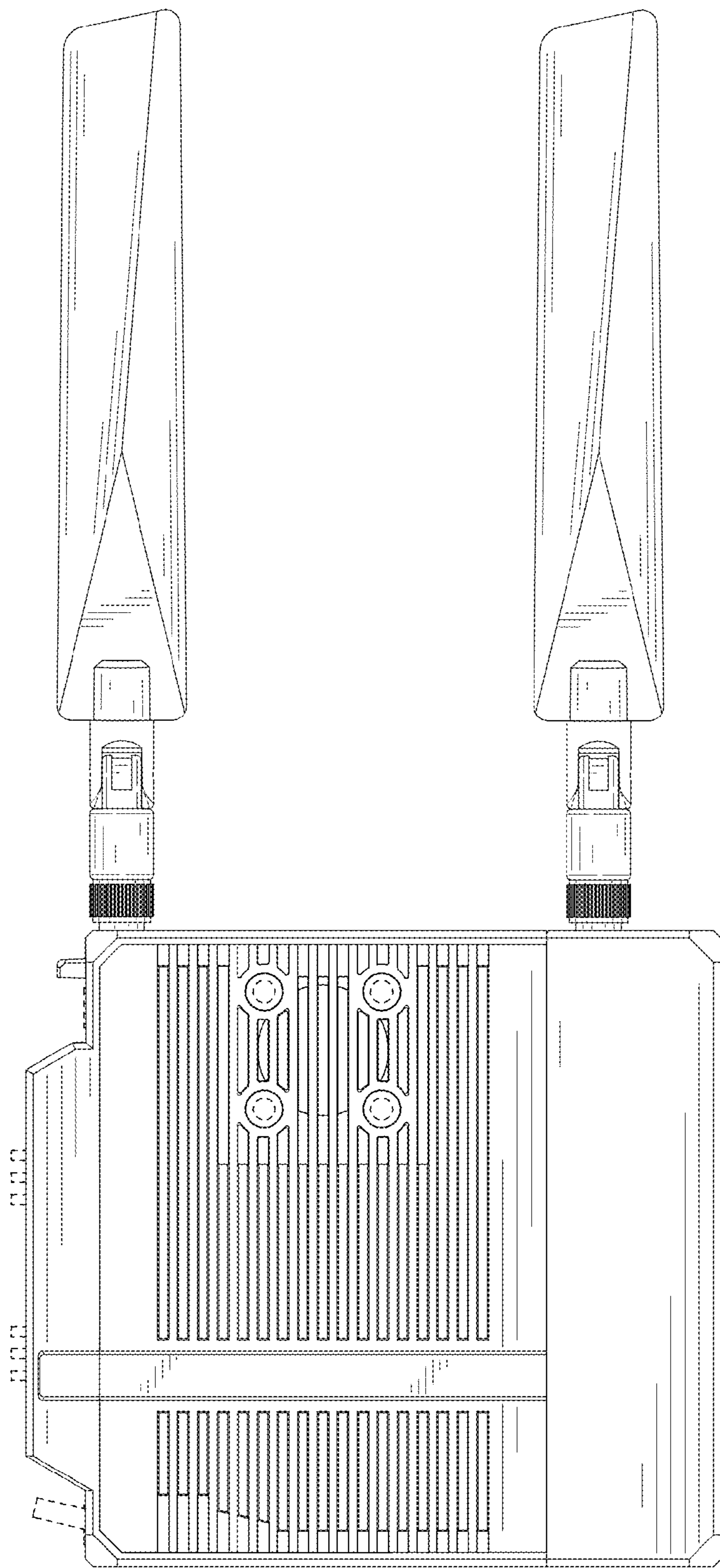


FIG. 6

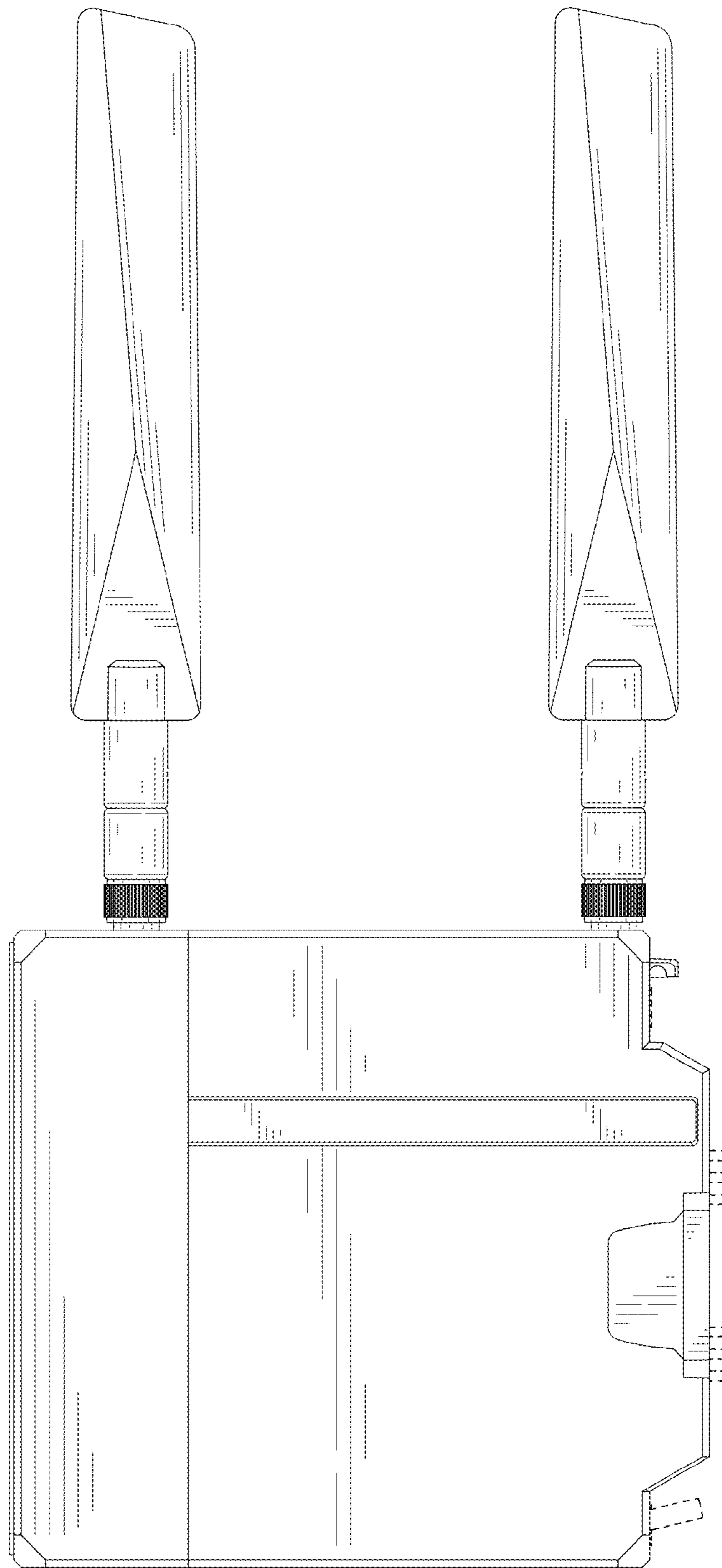


FIG. 7



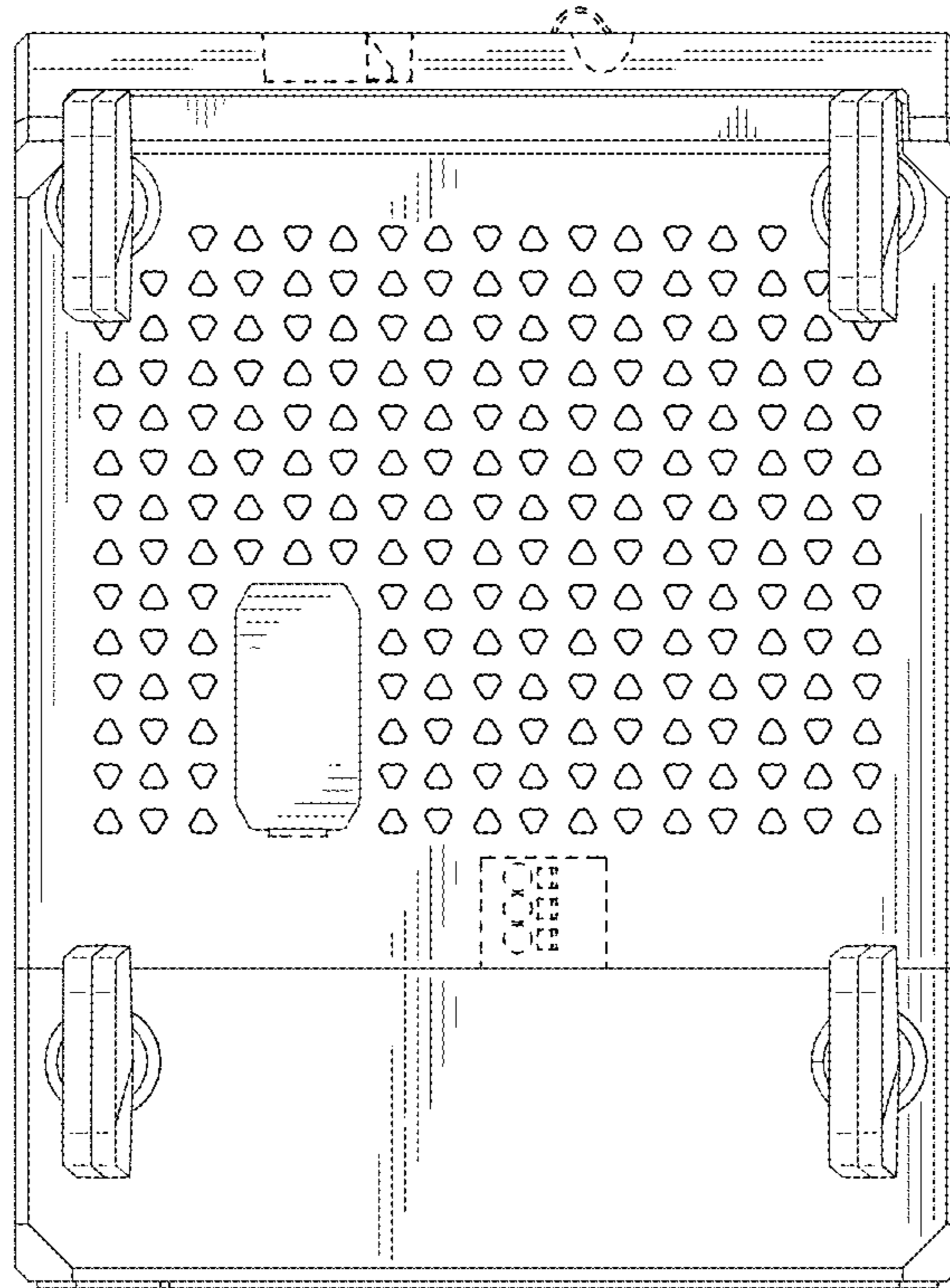


FIG. 8

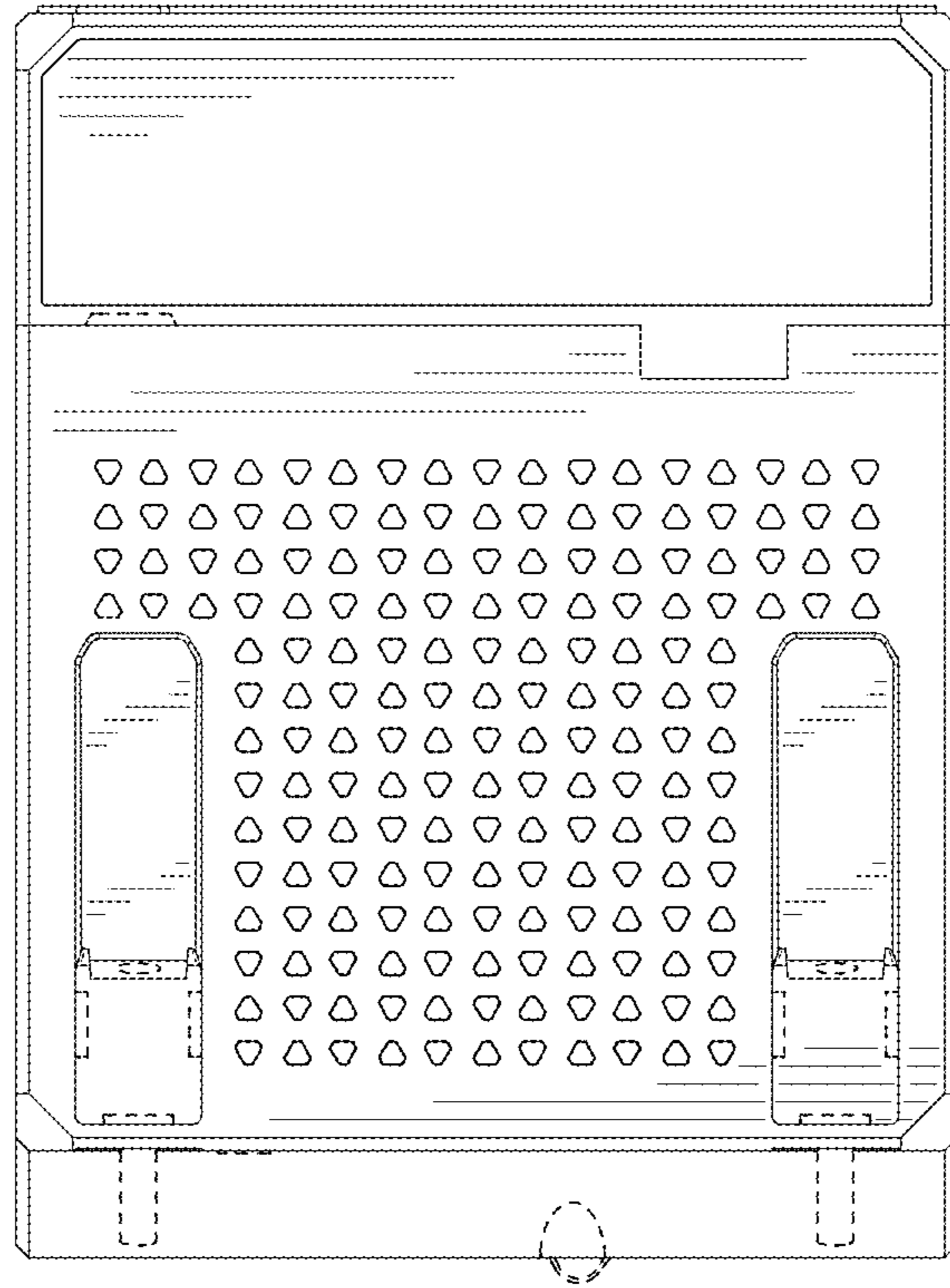


FIG. 9

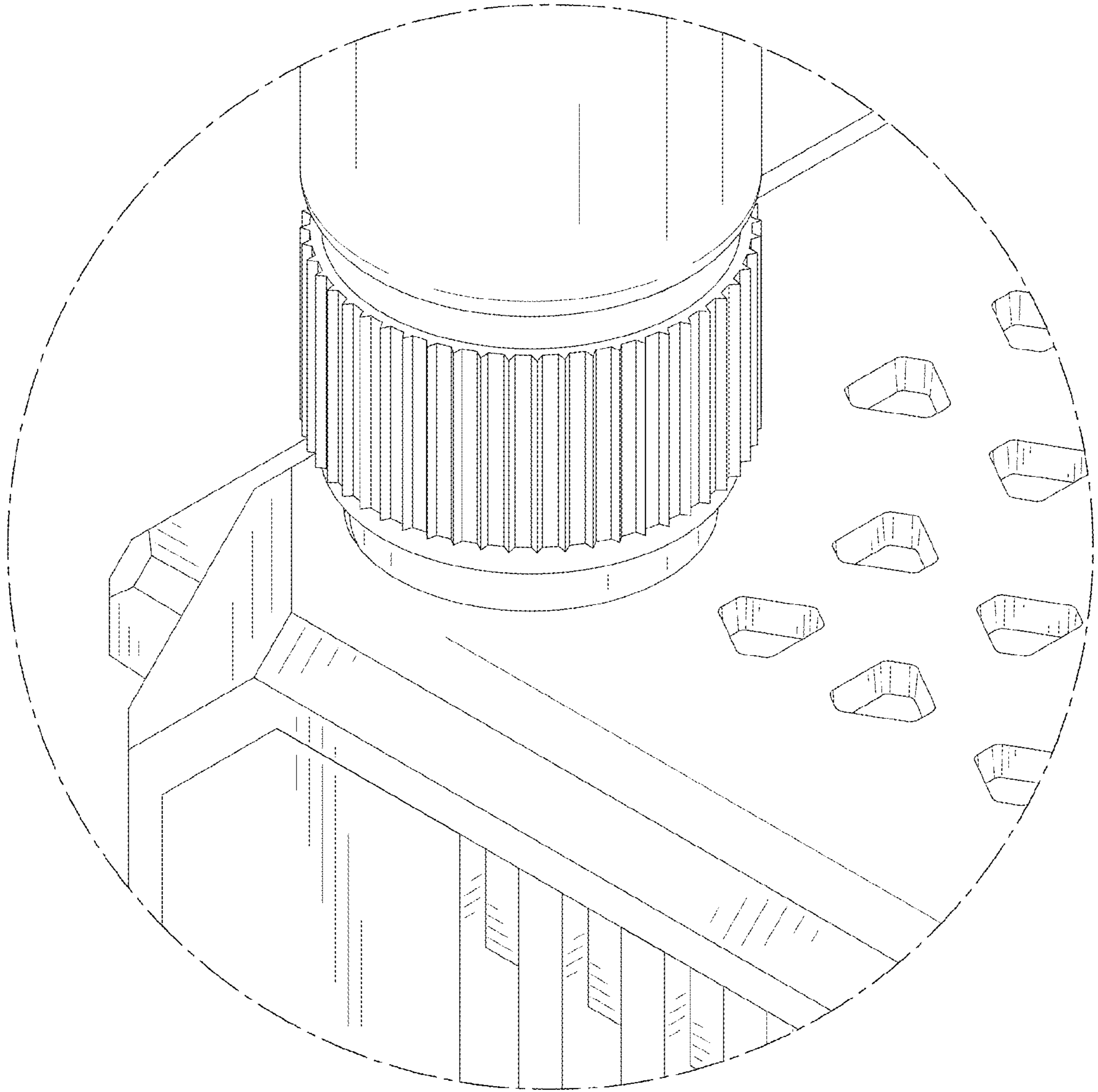


FIG. 10

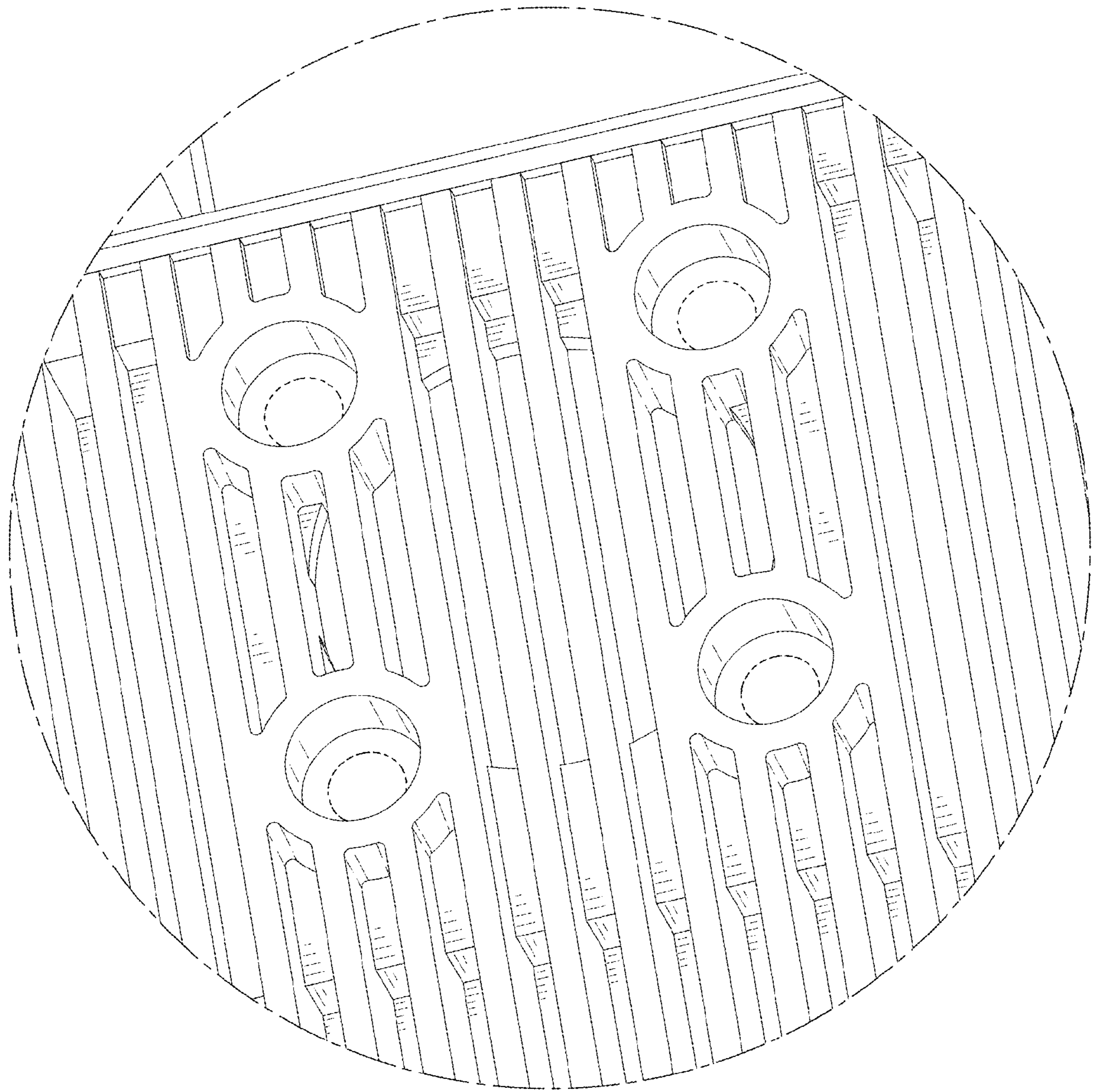


FIG. 11