



US00D982565S

(12) **United States Design Patent**
Boucard et al.

(10) **Patent No.:** **US D982,565 S**

(45) **Date of Patent:** **** Apr. 4, 2023**

(54) **ENDPOINT**

(71) Applicant: **Tesseract Ventures, LLC**, Overland Park, KS (US)

(72) Inventors: **John Boucard**, Overland Park, KS (US); **Jason Harrell**, Overland Park, KS (US); **David Starr**, Leawood, KS (US); **Jeff Chiu**, Chicago, IL (US); **Greg Lorrett**, Kansas City, MO (US)

(73) Assignee: **Tesseract Ventures, LLC**, Overland Park, KS (US)

(**) Term: **15 Years**

(21) Appl. No.: **29/758,816**

(22) Filed: **Nov. 18, 2020**

(51) **LOC (14) Cl.** **14-03**

(52) **U.S. Cl.**
USPC **D14/240; D14/358; D10/106.6**

(58) **Field of Classification Search**
USPC ... D14/140.1, 240, 242, 125, 140, 142, 155, D14/167, 168, 172, 188, 195, 299, 496, D14/197, 198, 230, 348, 351, 356, 357, D14/358, 383, 385; D13/110, 123, 152, D13/158, 162, 162.1, 163, 168, 184, 199, D13/179; D10/104.1, 104.2, 106.1, D10/106.6, 106.7, 106.9, 116.1, 61, 65, D10/75

CPC H05K 5/02; H05K 7/1498; G06K 7/00; G06K 7/0004; G06K 7/0078; G06K 7/0082; G06K 7/01; G08B 13/2402; G08B 13/2468; G08B 13/26

See application file for complete search history.

(56) **References Cited**

U.S. PATENT DOCUMENTS

D277,465 S * 2/1985 MacDonald D10/106.1
D279,871 S * 7/1985 Guscott D10/106.6

D305,881 S * 2/1990 Bergeron D10/106.6
D308,176 S * 5/1990 Soloway D10/106.6
D308,347 S * 6/1990 Bryenton D10/106.6
D317,445 S * 6/1991 Sacherman D14/353
D320,758 S * 10/1991 Lutz D10/104.1
D351,564 S * 10/1994 Schepis D10/104.1
D366,878 S * 2/1996 Wakabayashi D14/242
D418,481 S * 1/2000 Lin D13/152
D427,533 S * 7/2000 Cowan D10/75
D451,479 S * 12/2001 Bateson D13/152
D456,364 S * 4/2002 Suen D13/162
D491,953 S * 6/2004 Arakaki D14/383
D549,119 S * 8/2007 Becker D10/104.1
D594,456 S * 6/2009 Huang D14/358
D595,161 S * 6/2009 Fisher D10/50
D599,797 S * 9/2009 Kim D14/383
D619,582 S * 7/2010 Chen D14/385

(Continued)

Primary Examiner — Marie D. Fast Horse

(74) *Attorney, Agent, or Firm* — Polsinelli PC

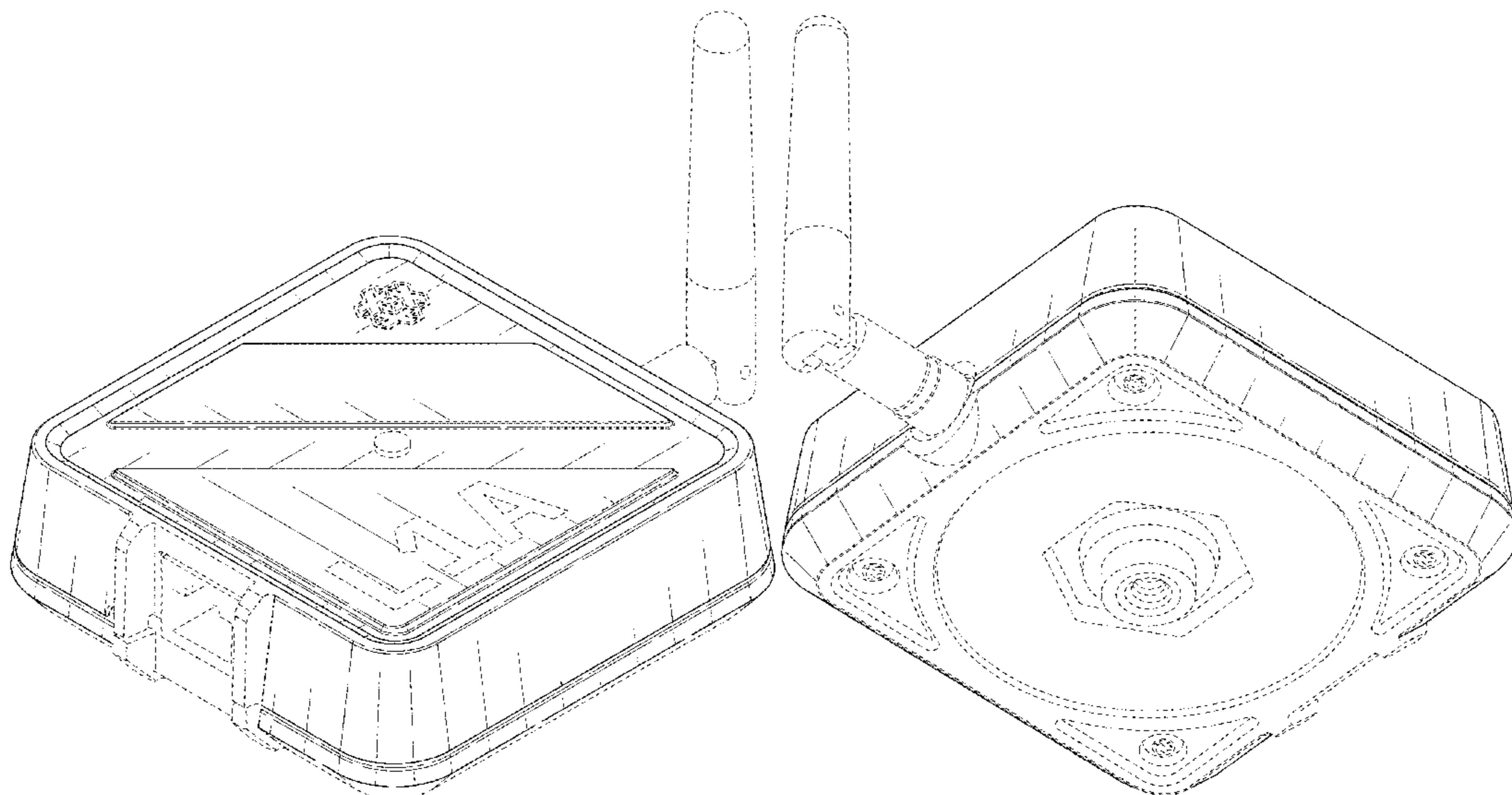
(57) **CLAIM**

We claim the ornamental design for an endpoint, as shown and described.

DESCRIPTION

FIG. 1 is a top-front perspective view of an endpoint, showing our new design;
FIG. 2 is a front elevational view thereof;
FIG. 3 is a rear elevational view thereof;
FIG. 4 is a left side elevational view thereof;
FIG. 5 is a right side elevational view thereof;
FIG. 6 is a top plan view thereof;
FIG. 7 is a bottom plan view thereof; and,
FIG. 8 is an bottom-rear perspective view of thereof.
The broken lines consisting of unevenly sized dashes define the boundary of the claim, which extends to the boundary but does not include the boundary, while all other broken lines in the drawings depict portions of the endpoint that form no part of the claimed design.

1 Claim, 8 Drawing Sheets



(56)

References Cited

U.S. PATENT DOCUMENTS

D669,079 S * 10/2012 Hansen D14/420
D724,079 S * 3/2015 Probst D14/348
D725,505 S * 3/2015 Arensmeier D10/49
D726,179 S * 4/2015 Orthey D14/358
D727,765 S * 4/2015 Hoshal D10/78
D768,607 S * 10/2016 Altonen D14/240
D771,042 S * 11/2016 Ehrensvärd D14/383
D780,605 S * 3/2017 Chen D14/358
D780,611 S * 3/2017 Studer D10/104.1
D785,579 S * 5/2017 McMiller D14/125
D822,022 S * 7/2018 Huff D14/385
D828,816 S * 9/2018 Spors D10/50
D829,120 S * 9/2018 Mitchell D10/104.1
D836,619 S * 12/2018 Yokoyama D14/242
D842,142 S * 3/2019 Recker D10/106.6
D848,293 S * 5/2019 Laurans D10/106.6
D855,026 S * 7/2019 Miller D13/158
D858,321 S * 9/2019 Recker D10/106.6
D867,916 S * 11/2019 Tatic D10/106.95
D869,411 S * 12/2019 Wang D14/357
D883,242 S * 5/2020 Wu D14/125
D892,114 S * 8/2020 Siminoff D14/383
D929,358 S * 8/2021 Peled D14/358
D954,045 S * 6/2022 Boucard D20/27
D954,046 S * 6/2022 Boucard D20/27
D960,129 S * 8/2022 Karimi D14/217

* cited by examiner

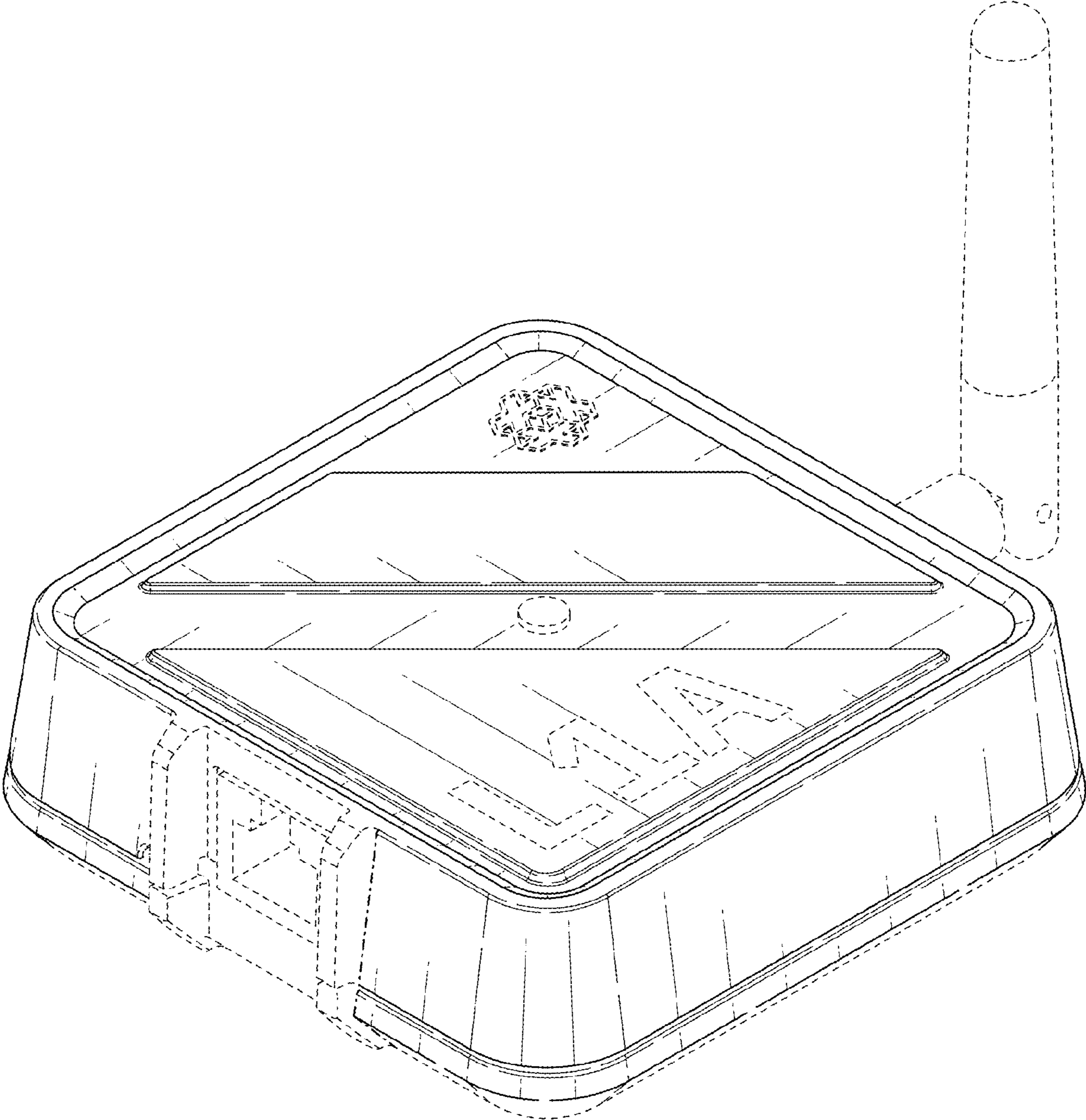


FIG. 1

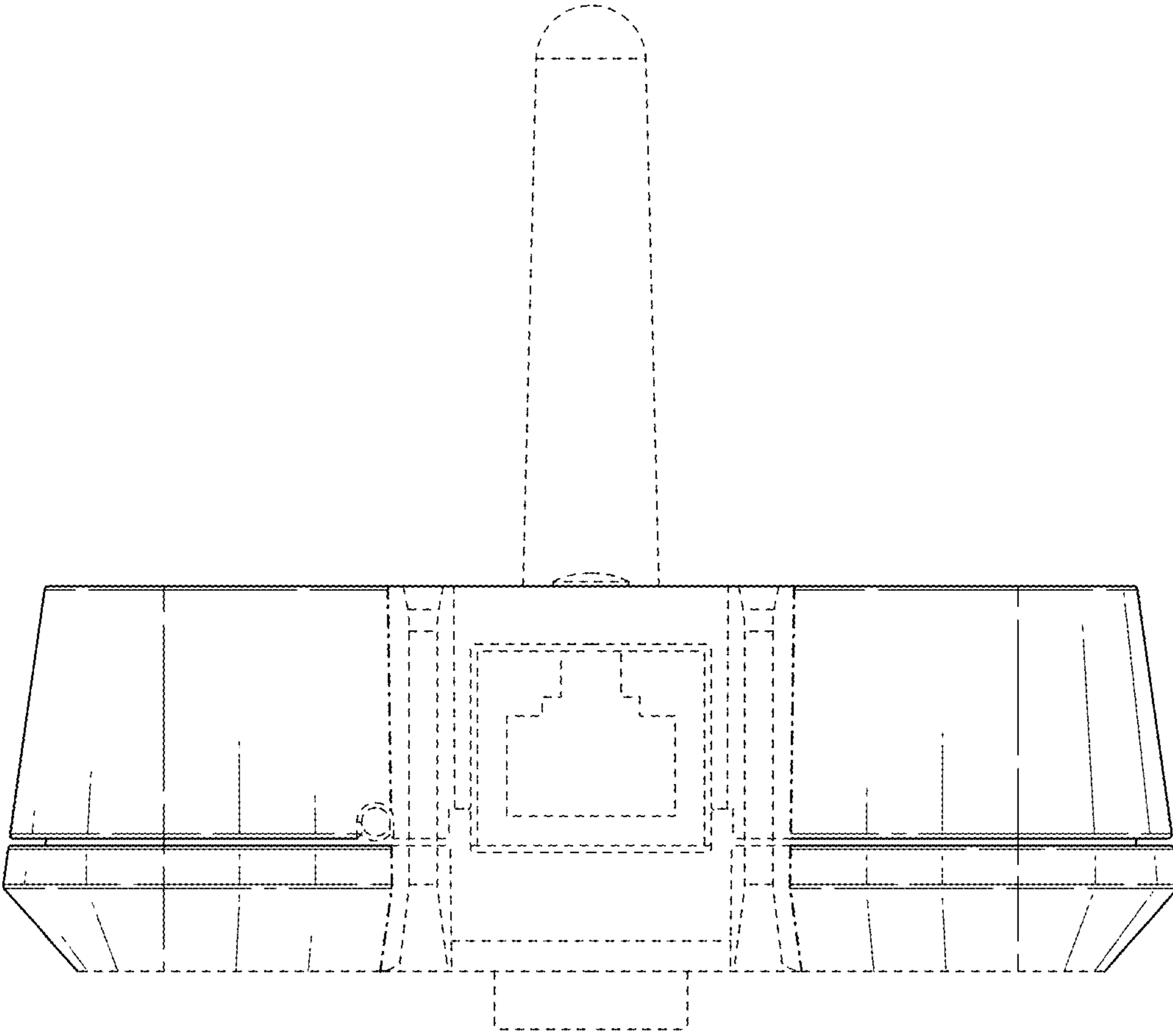


FIG. 2

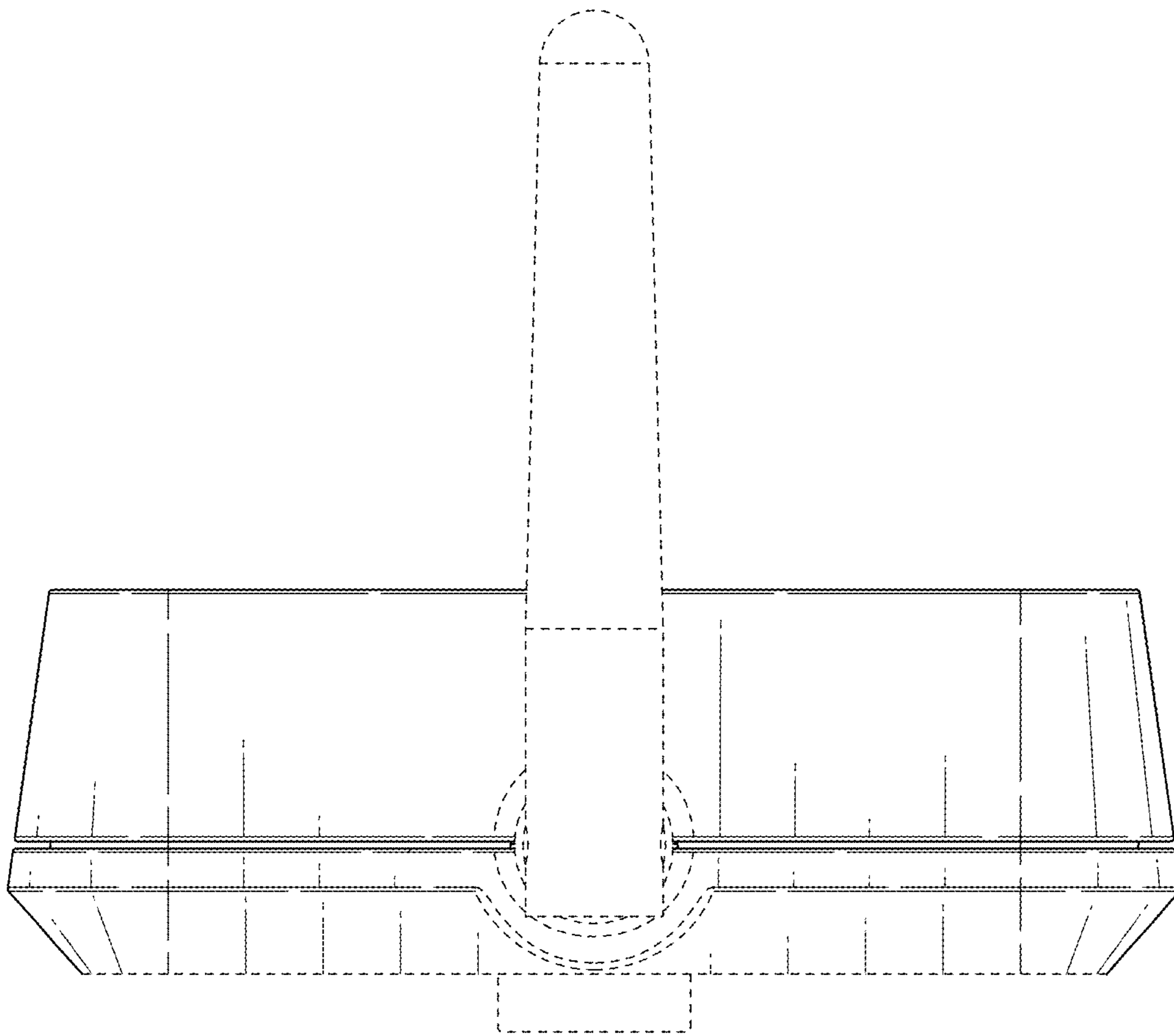


FIG. 3

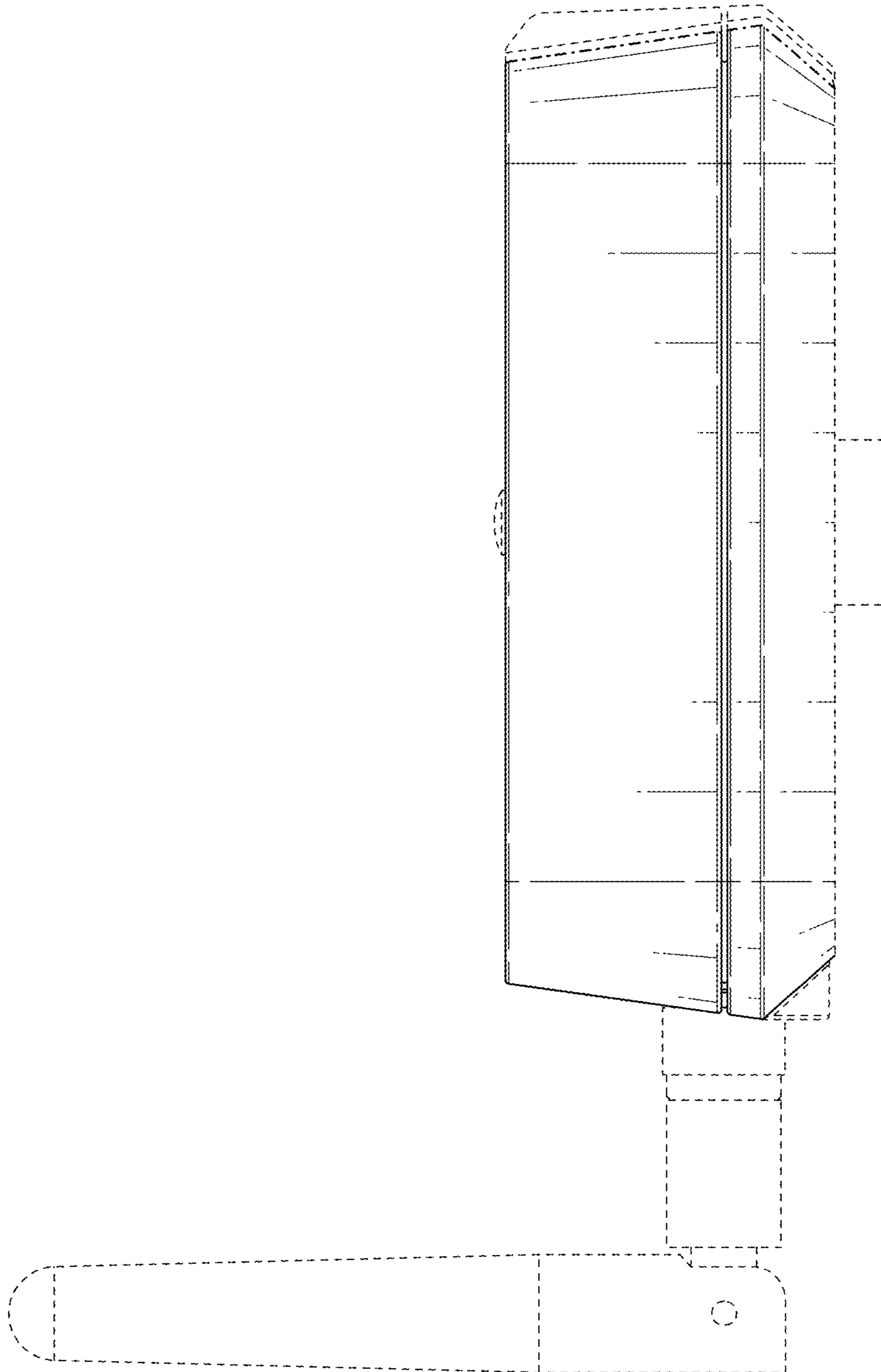


FIG. 4

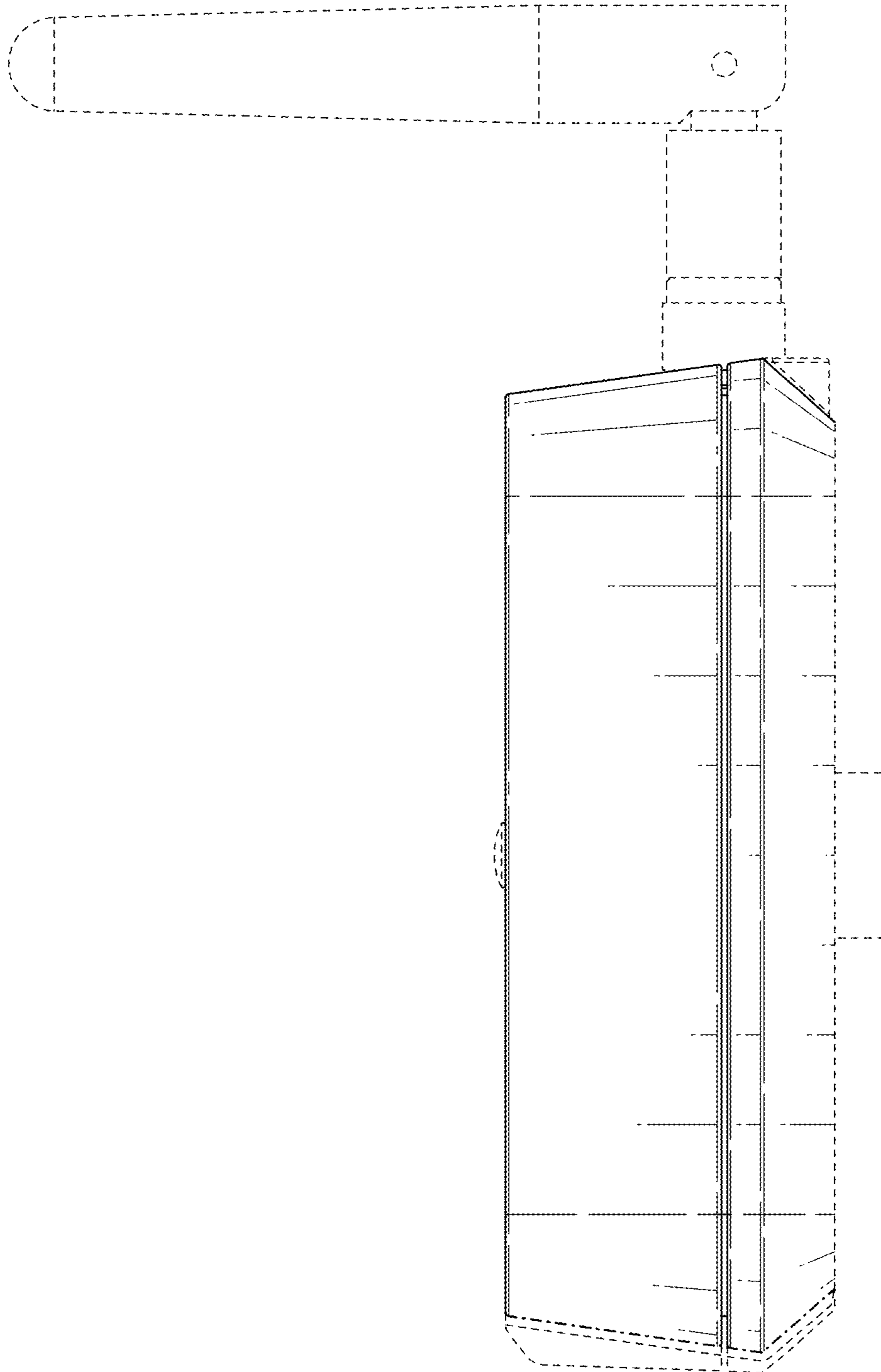


FIG. 5

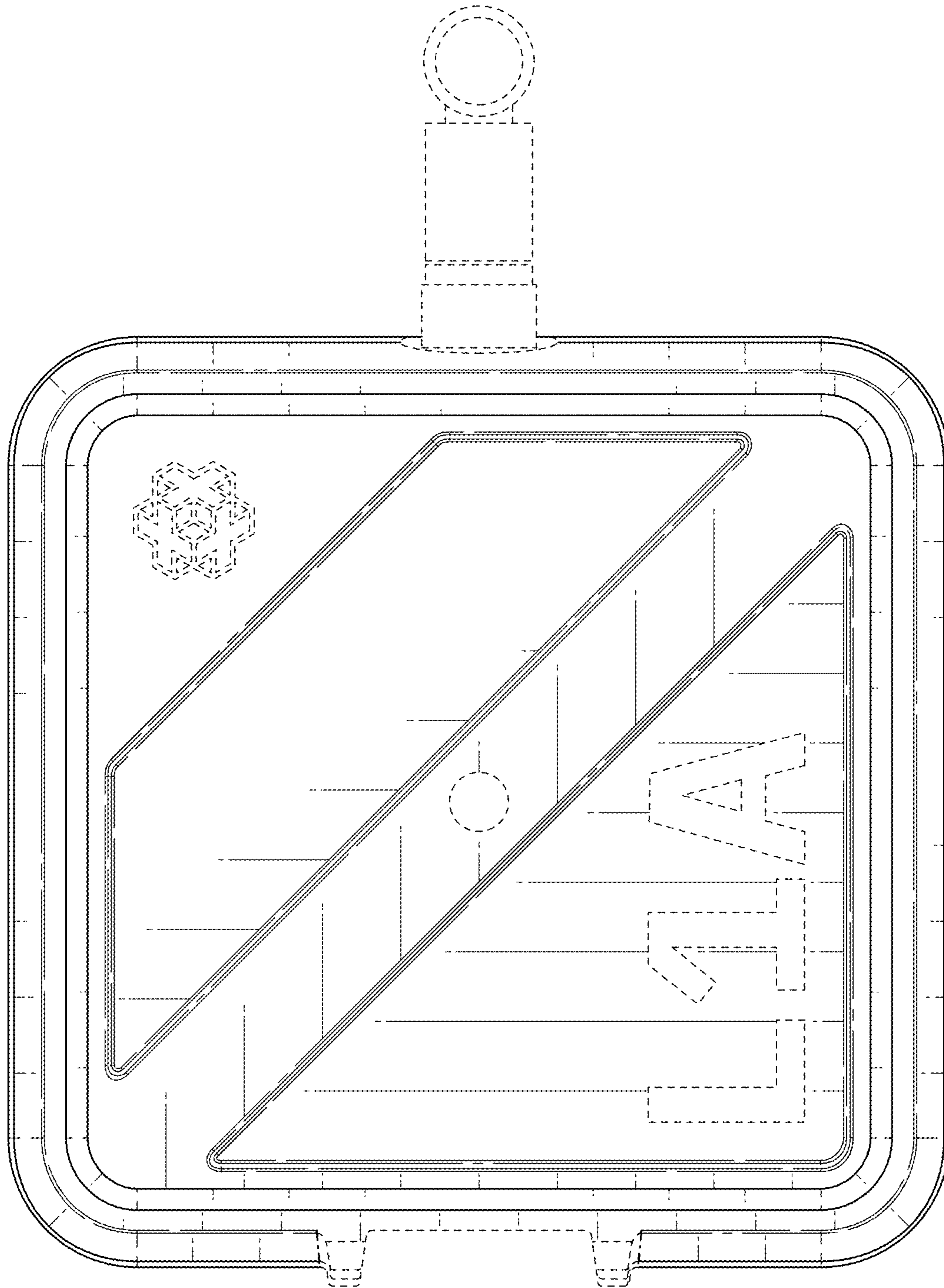


FIG. 6

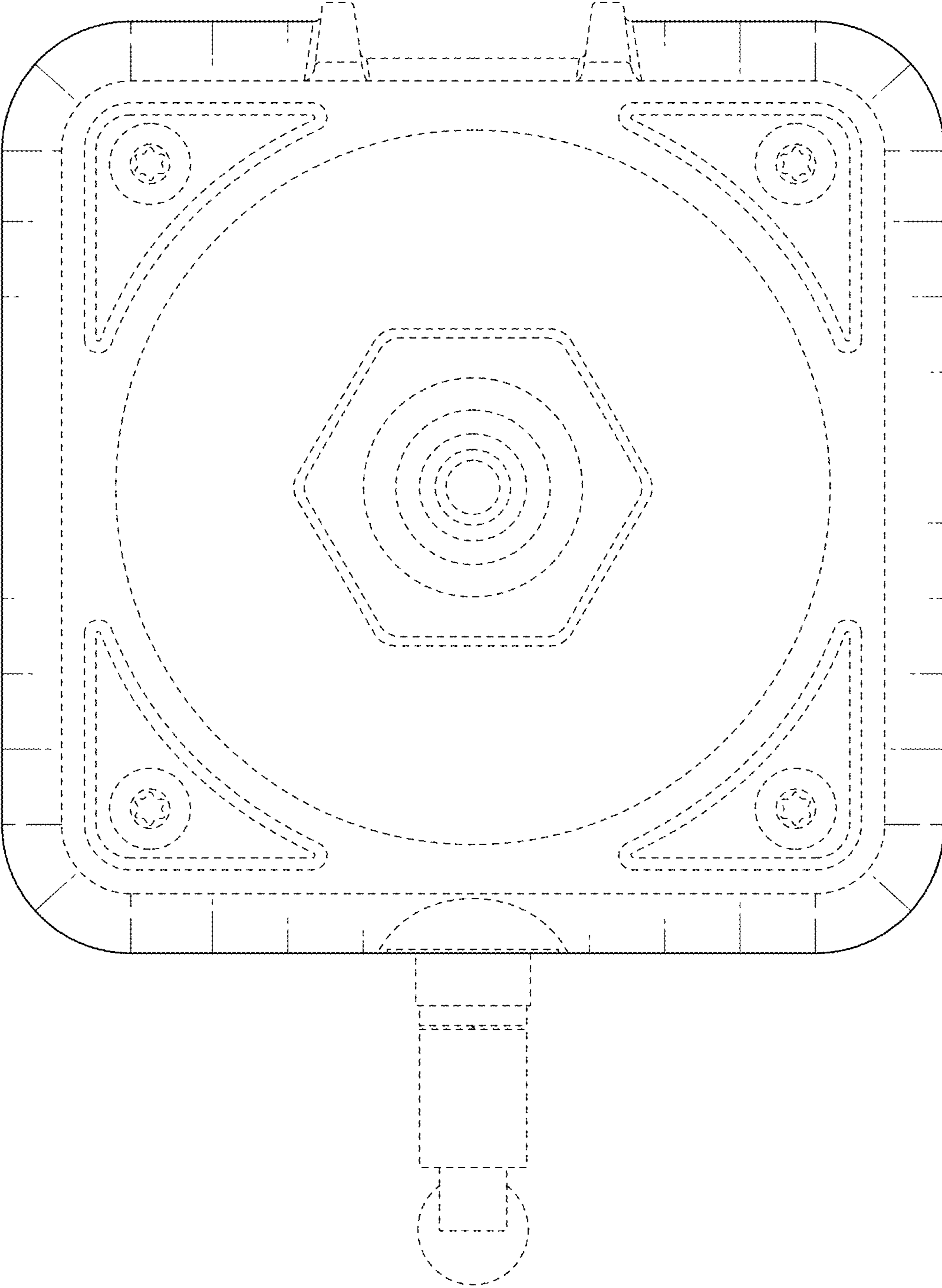


FIG. 7

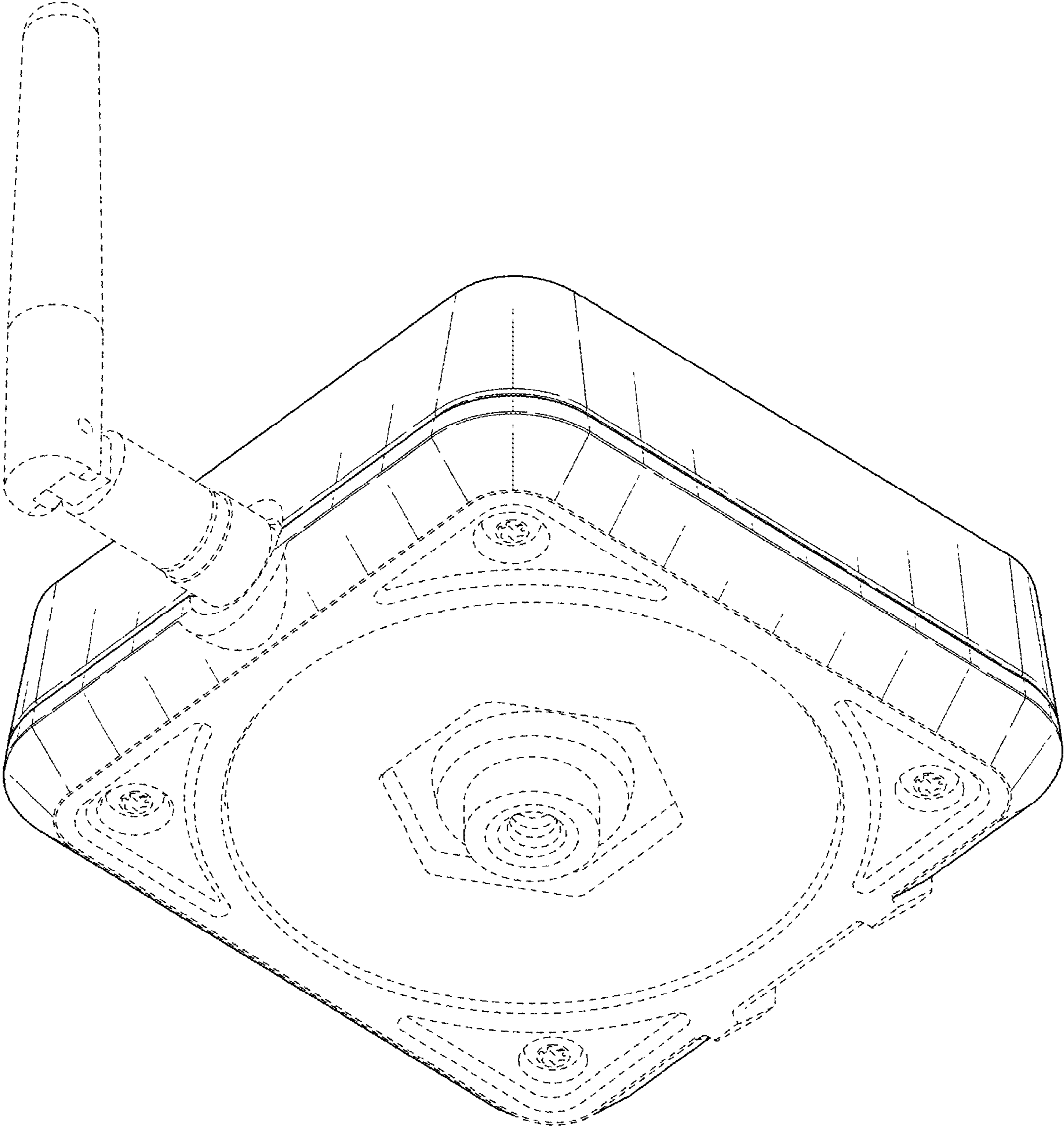


FIG. 8