



US00D982564S

(12) **United States Design Patent**
Mai

(10) **Patent No.:** **US D982,564 S**

(45) **Date of Patent:** **** Apr. 4, 2023**

(54) **MICROPHONE**

(71) Applicant: **Shenzhen Xunweijia Technology Development Co., Ltd.**, Shenzhen (CN)

(72) Inventor: **Qibin Mai**, Gaoyao (CN)

(**) Term: **15 Years**

(21) Appl. No.: **29/868,204**

(22) Filed: **Nov. 23, 2022**

Related U.S. Application Data

(62) Division of application No. 29/841,892, filed on Jun. 9, 2022.

(51) **LOC (14) Cl.** **14-01**

(52) **U.S. Cl.**
USPC **D14/225**; D14/227

(58) **Field of Classification Search**

USPC D14/225–229, 155, 240, 356, 358, 388, D14/204–224, 372, 125; D10/104.1; D13/108, 110, 168; D21/483; D16/391, D16/392, 538, 542, 629, 207, 210, 214, D16/300, 309, 313, 330; D29/112
CPC H04R 9/08; H04R 19/02; H04R 19/04; H04R 25/00; H04R 11/04; H04R 3/00; H04R 1/20; H04R 1/02; H04R 1/10; H04R 1/1016; H04R 1/1066; H04R 1/105; H04R 1/1033; H04R 1/08; H04R 5/033; H04R 5/0335; F16M 11/16; E04B 1/82; G08C 17/02; G08C 19/00; G08C 19/12; G08C 19/28; G08C 23/04; H04B 1/202; H05B 45/00; H05B 47/10; H05B 47/19; H03J 9/00; H03J 9/02; H03J 9/04; H03J 9/06; H03J 1/0025; H01H 9/0025; H01H 9/0228; H01H 9/0235; F21S 4/00; F21S 4/10; F21S 4/28; G02B 27/017; G02B 27/0158; G02B 27/0161; G02B 27/0181; G02B 27/0185; G02B 27/0189; A47G 19/2205; A47G 19/2222; A47G 19/2272

See application file for complete search history.

(56) **References Cited**

U.S. PATENT DOCUMENTS

D447,131 S *	8/2001	Hough	D14/228
D516,546 S *	3/2006	Sobol	D14/228
D604,274 S *	11/2009	Durrett	D14/228
D834,564 S *	11/2018	Chen	D14/226
D839,856 S *	2/2019	Chen	D14/228
D849,721 S *	5/2019	Chen	D14/227
D850,423 S *	6/2019	Chen	D14/227

(Continued)

OTHER PUBLICATIONS

Fifine K683A Type C USB Mic With a Pop Filter, first available Dec. 27, 2020, fifinemicrophone.com, [online], [site visited Sep. 8, 2022], Available from internet URL: <https://fifinemicrophone.com/collections/usb-mics/products/fifine-k683a-type-c-usb-microphone> (Year: 2022).*

(Continued)

Primary Examiner — Samantha Q Lawrence

Assistant Examiner — Holly M Rodriguez

(57) **CLAIM**

The ornamental design for a microphone, as shown and described.

DESCRIPTION

FIG. 1 is a front perspective view of a microphone, showing my new design;

FIG. 2 is a front view thereof;

FIG. 3 is a rear view thereof;

FIG. 4 is a left side view thereof;

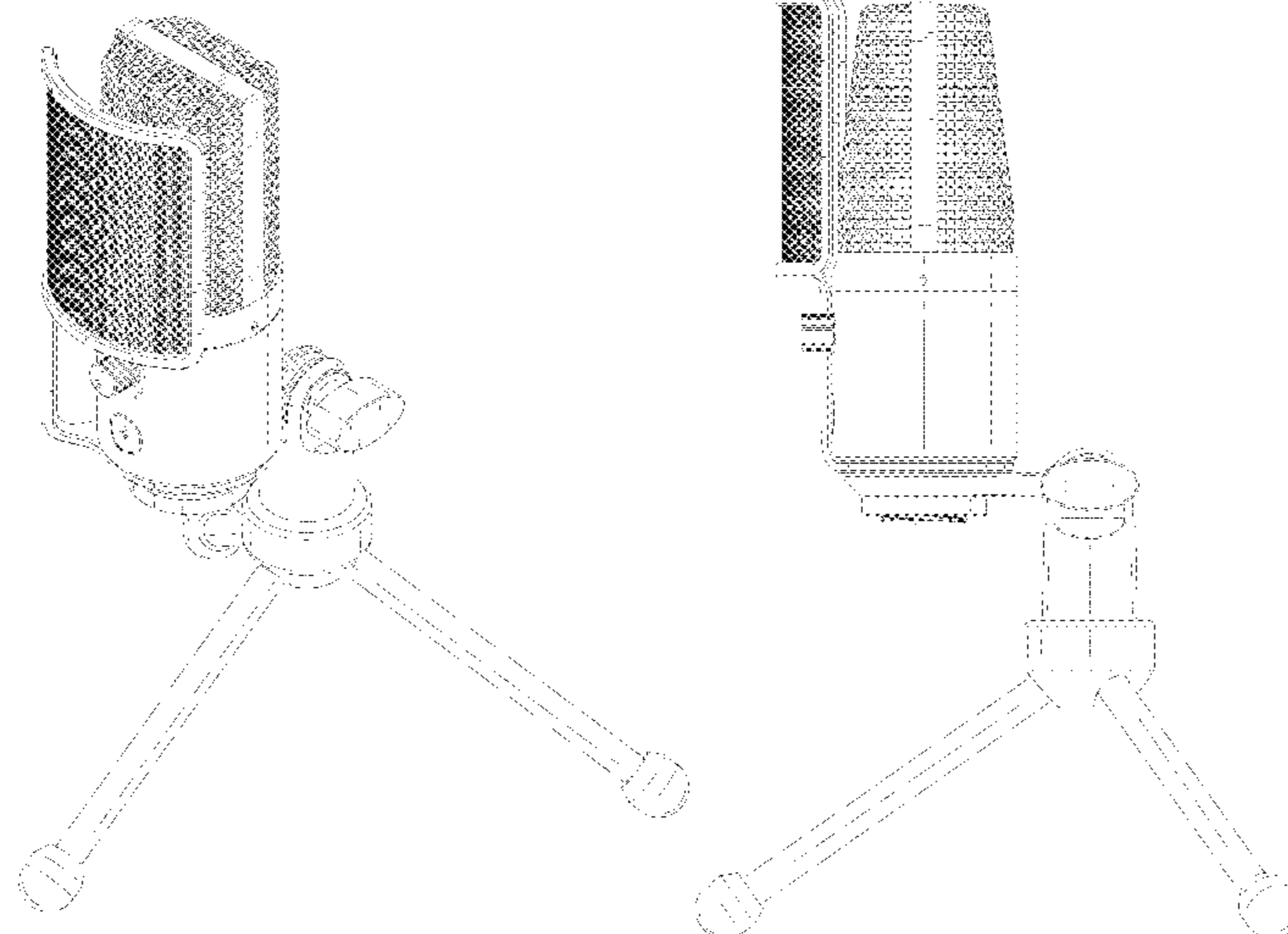
FIG. 5 is a right side view thereof;

FIG. 6 is a top view thereof; and,

FIG. 7 is a bottom view thereof.

The broken lines in the drawings illustrate the portions of the microphone, which form no part of the claimed design.

1 Claim, 7 Drawing Sheets



(56)

References Cited

U.S. PATENT DOCUMENTS

D864,922 S * 10/2019 Mai D14/227
D918,184 S * 5/2021 Xiang D14/228
D918,186 S * 5/2021 Mai D14/227
D929,973 S * 9/2021 Mai D14/227
D931,839 S 9/2021 Bryant
D960,875 S * 8/2022 Mai D14/227
D967,077 S * 10/2022 Liu D14/225
D969,116 S * 11/2022 Mai D14/228
D969,786 S * 11/2022 Renwick D14/227

OTHER PUBLICATIONS

Fifine USB Desktop PC Microphone with Pop Filter for Computer and Mac, first available Nov. 25, 2020, amazon.com, [online], [site visited Sep. 10, 2022], Available from internet URL: <https://www.amazon.com/FIFINE-Microphone-Condenser-Headphone-Streaming/dp/B08P4LTX7Z/> (Year: 2020).*

USB Condenser Microphone, VeGue All Metal Studio PC Mic with Gain Control Mute Button, first available Jul. 23, 2021, amazon.com, [online], [site visited Sep. 10, 2022], Available from internet URL: <https://www.amazon.com/dp/B09B3FZC8S/> (Year: 2021).*

FIFINE Gaming USB Microphone for PC PS5, first available Oct. 14, 2021, amazon.com, [online], [site visited Dec. 17, 2022], Available from internet URL: <https://www.amazon.com/dp/B09JG62KDJ/?th=1> (Year: 2021).*

Fifine PC Mic and XLR/USB Microphone, first available Dec. 6, 2022, amazon.com, [online], [site visited Dec. 17, 2022], Available from internet URL: <https://www.amazon.com/FIFINE-Microphone-Streaming-Recording-Headphone/dp/B0BP6S36X7> (Year: 2022).*

* cited by examiner

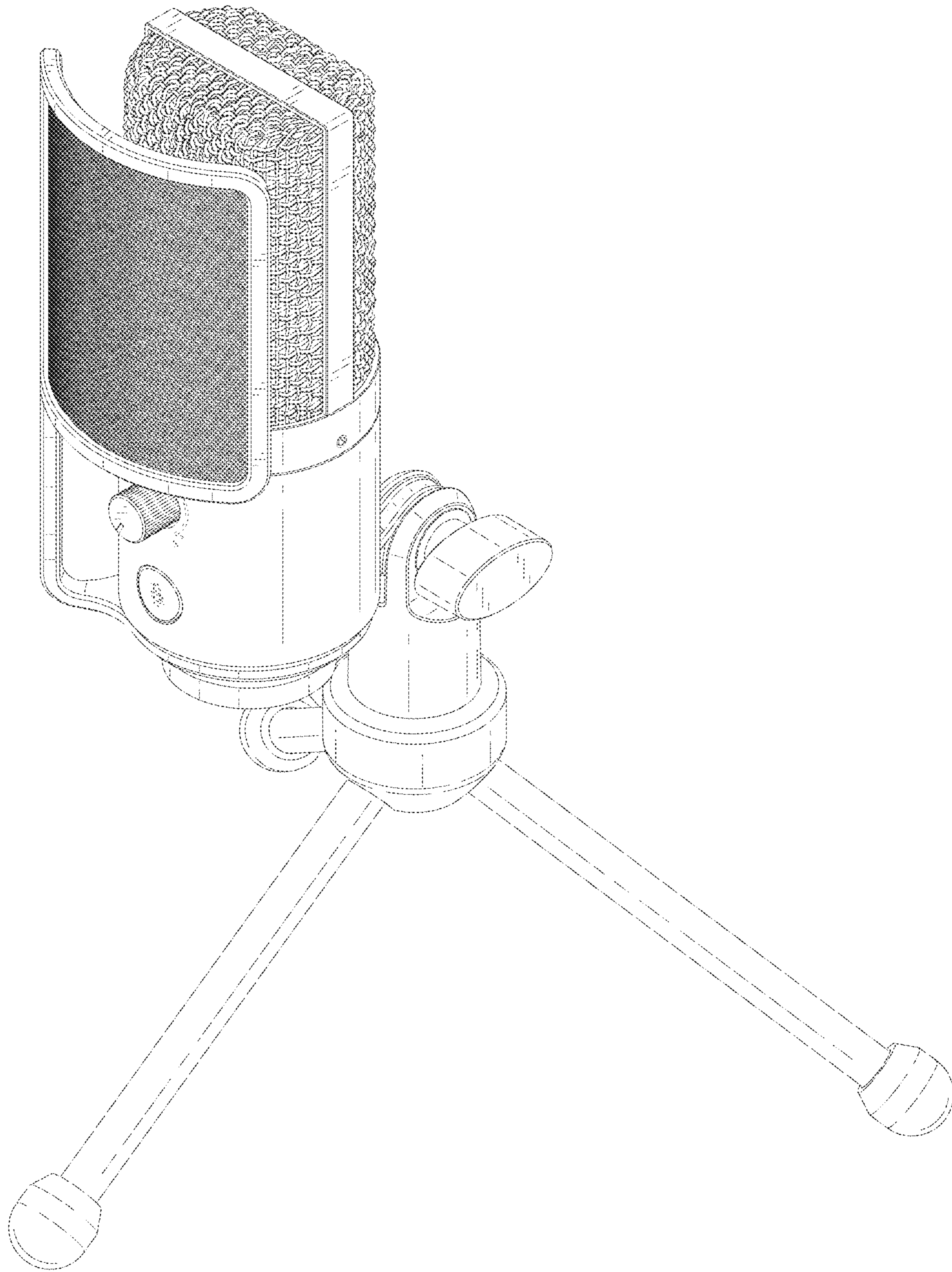


FIG. 1

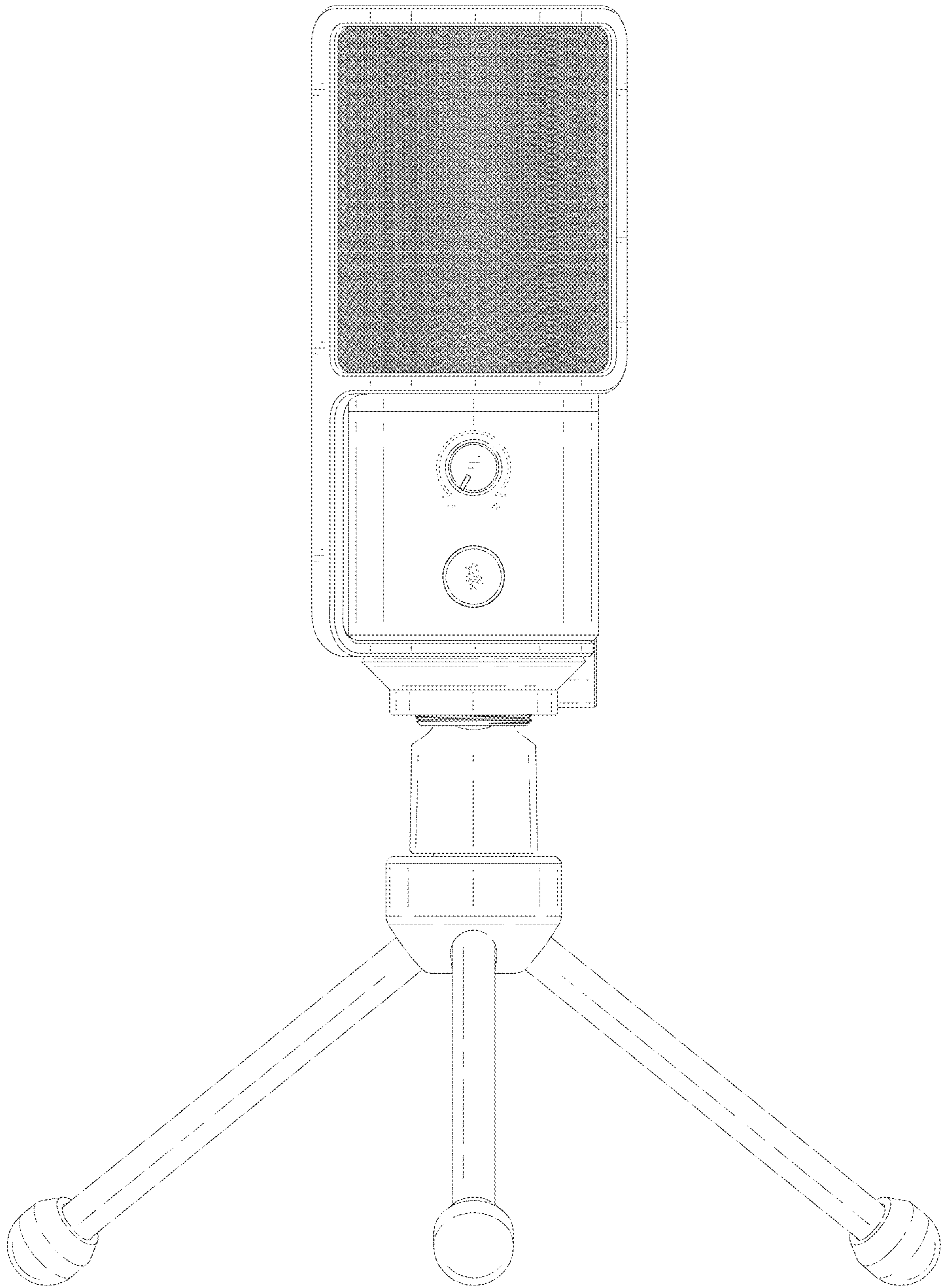


FIG. 2

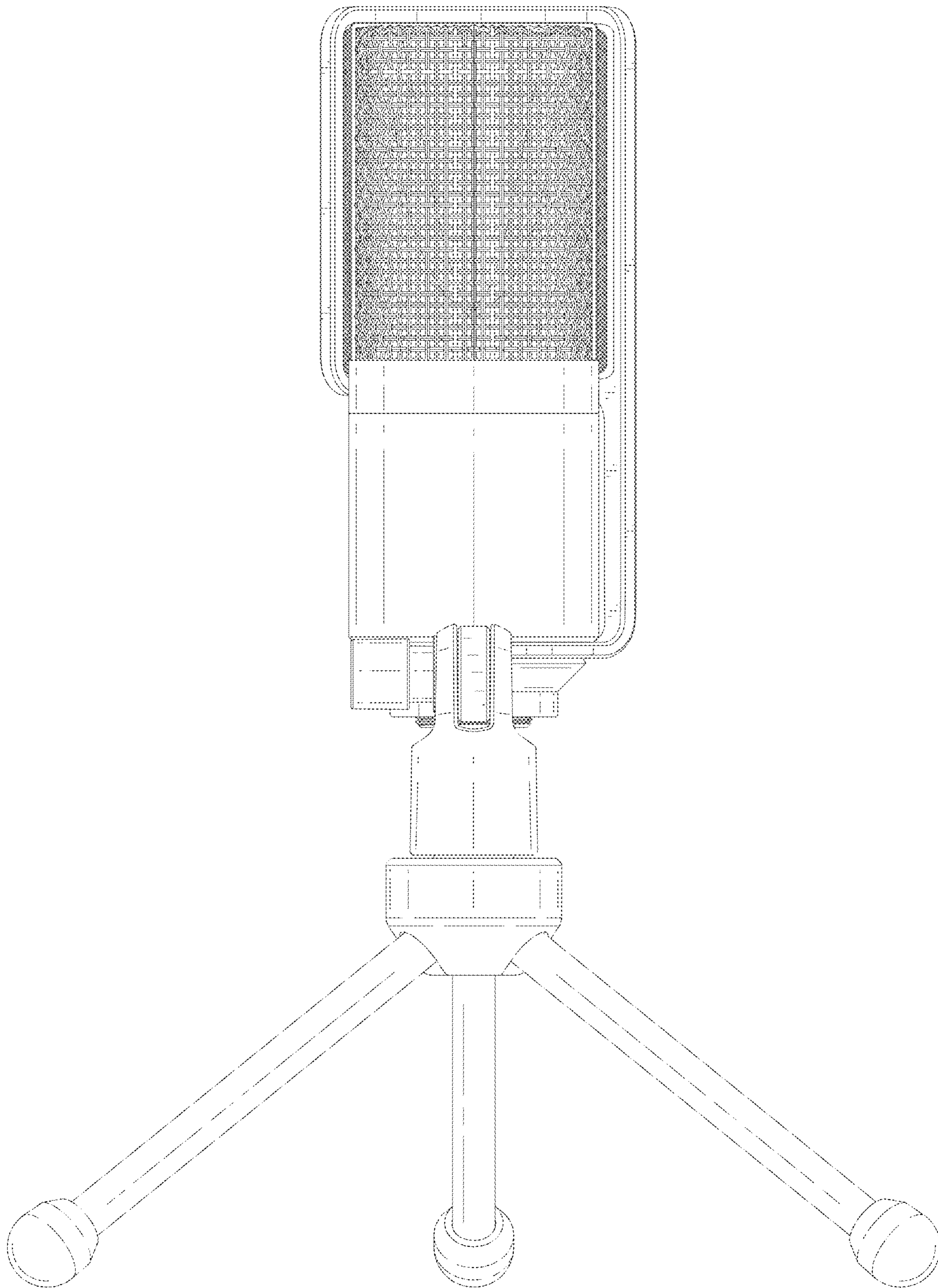


FIG. 3

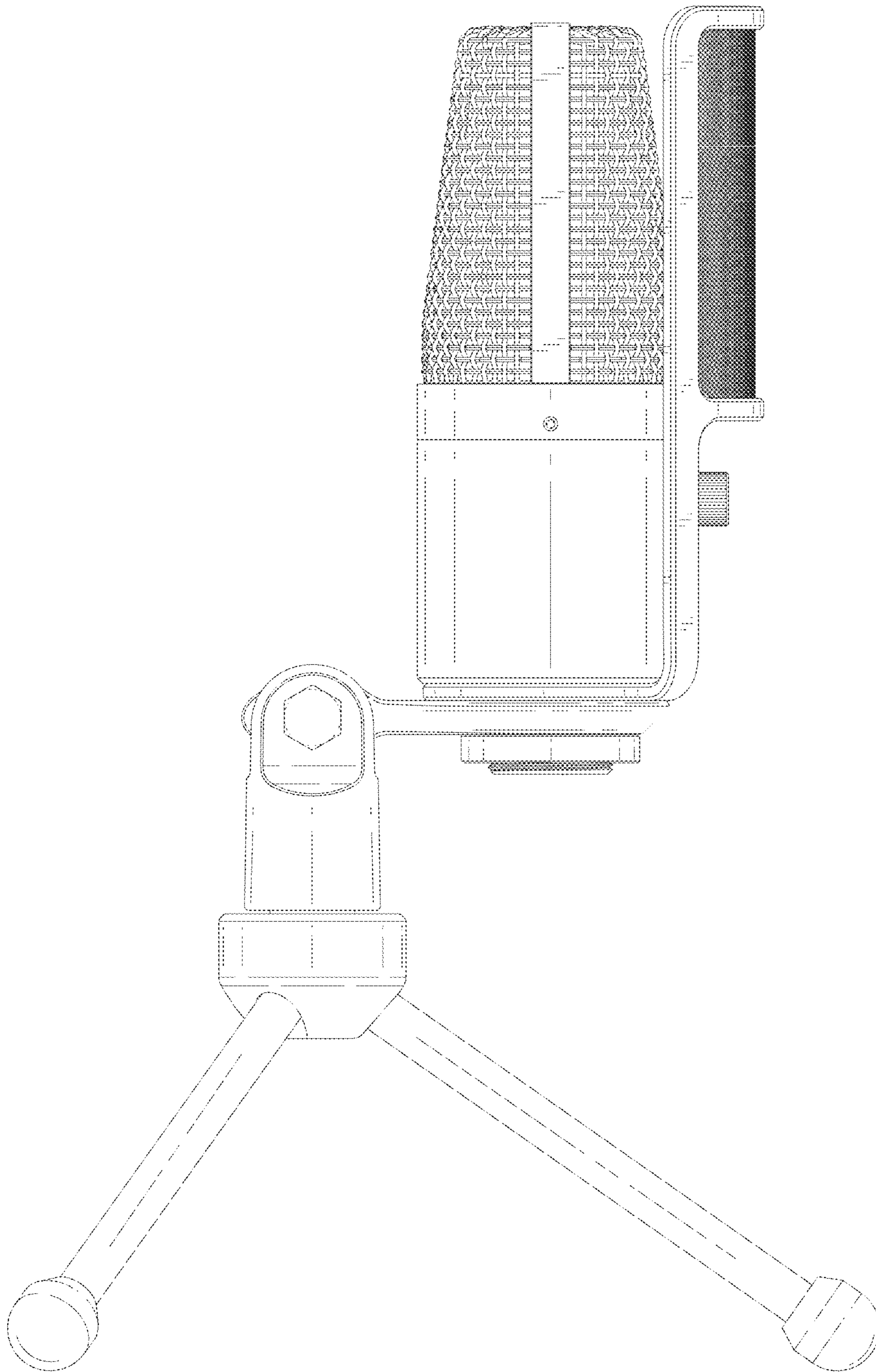


FIG. 4

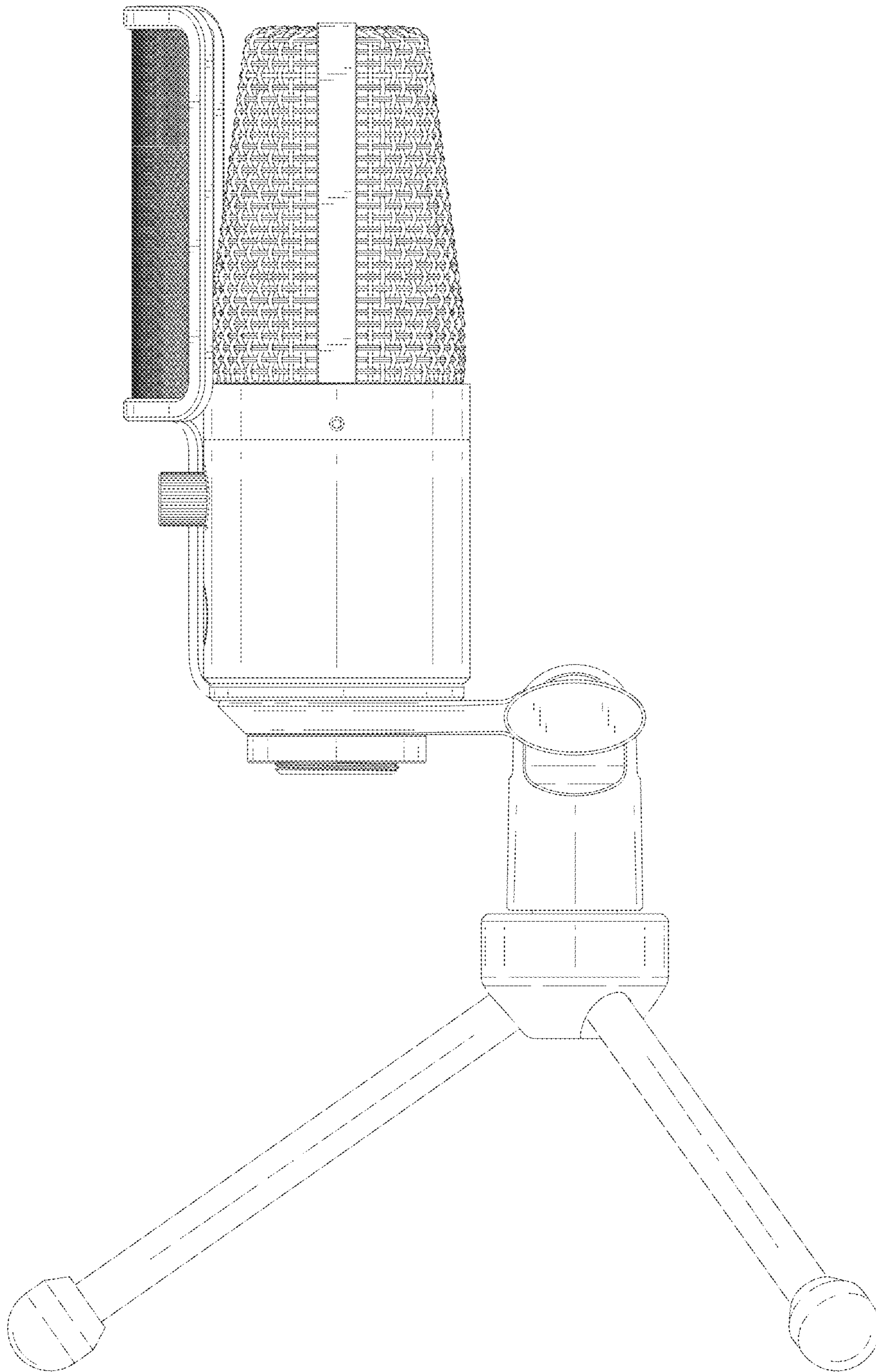


FIG. 5

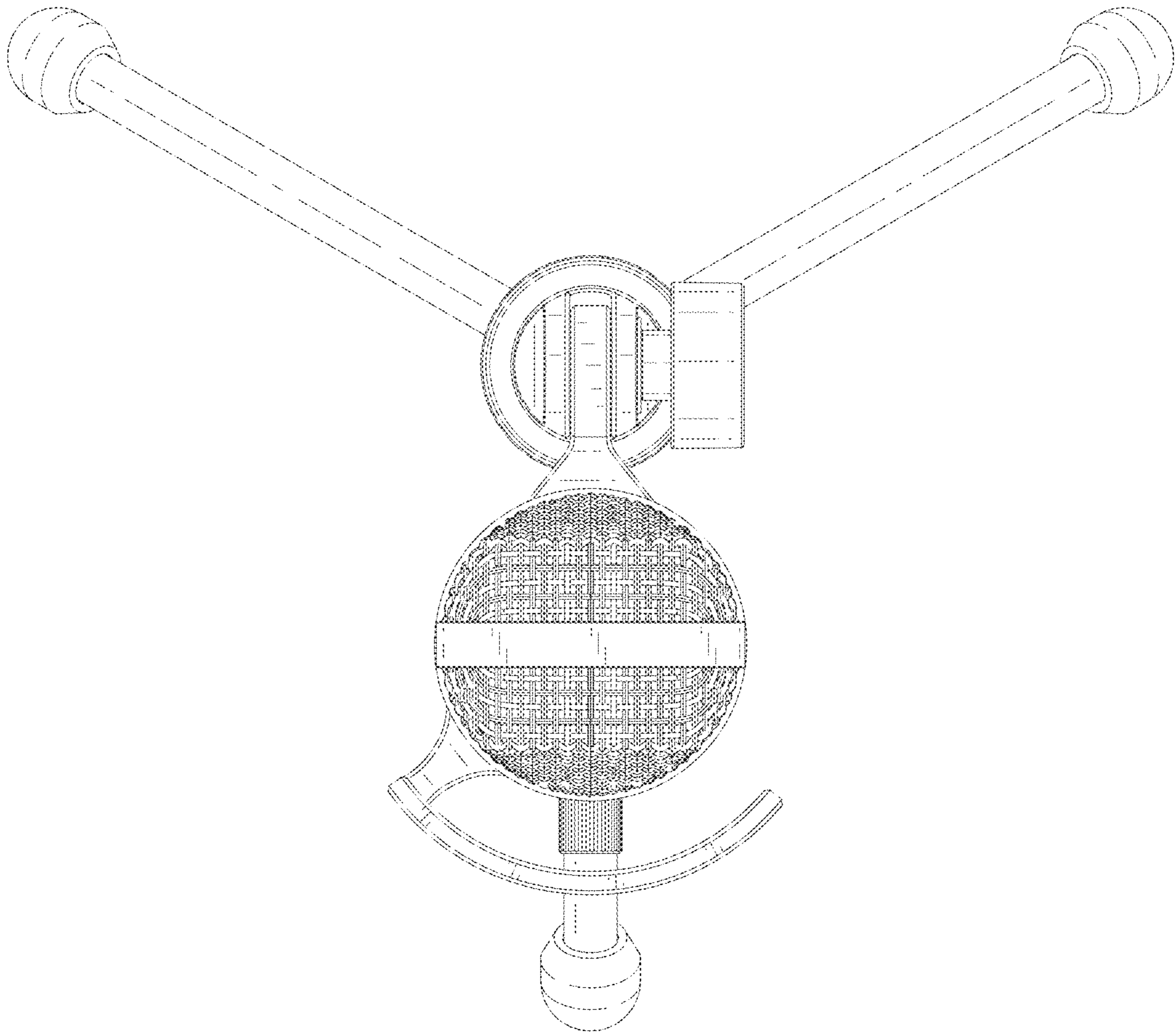


FIG. 6

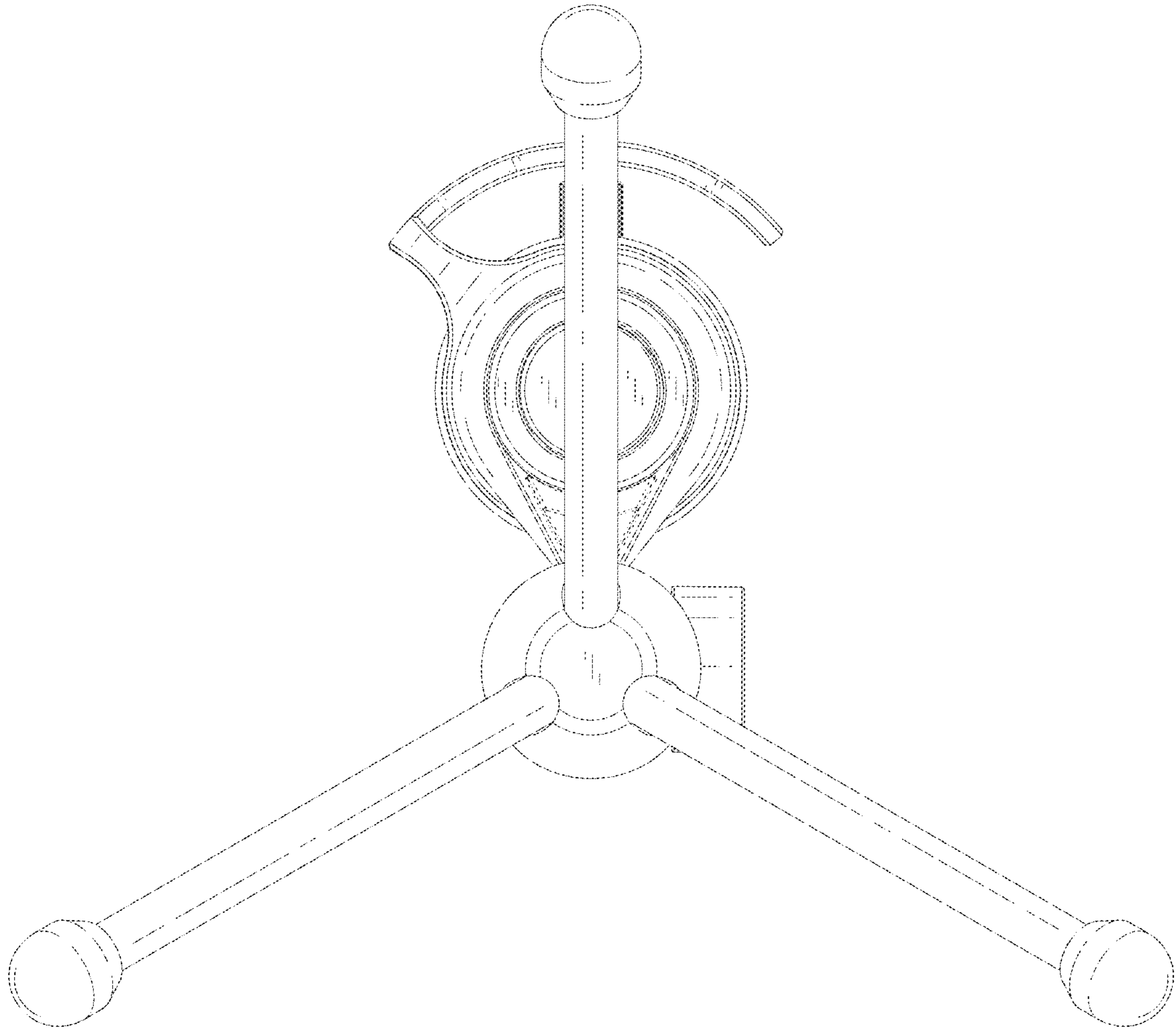


FIG. 7