



US00D982562S

(12) **United States Design Patent**
Shi et al.

(10) **Patent No.:** **US D982,562 S**
(45) **Date of Patent:** **** Apr. 4, 2023**

(54) **STAND FOR LOUDSPEAKER**
(71) Applicant: **Shujuan Shi**, Shenzhen (CN)
(72) Inventors: **Shujuan Shi**, Shenzhen (CN); **Jianpo Jiao**, Shenzhen (CN)
(73) Assignee: **Shujuan Shi**, Shenzhen (CN)
(**) Term: **15 Years**

D943,525 S * 2/2022 Deshaies D13/108
D945,965 S * 3/2022 Wang A61B 8/04
D13/108
D958,072 S * 7/2022 Yang D13/108
D966,187 S * 10/2022 Zucchetto D13/108
D968,319 S * 11/2022 Tan H01F 27/366
D13/107
2021/0375538 A1* 12/2021 Mikami H01F 27/366

(21) Appl. No.: **29/765,113**
(22) Filed: **Jan. 6, 2021**

(30) **Foreign Application Priority Data**

Dec. 23, 2020 (EM) 008367643-0003

(51) **LOC (14) Cl.** **14-06**

(52) **U.S. Cl.**
USPC **D14/224**

(58) **Field of Classification Search**
USPC ... D14/216, 203.1, 204, 210, 211, 212, 213,
D14/215, 219, 221, 172, 188, 194, 197,
D14/496, 209.1, 203.8, 224; D13/108,
D13/107

CPC B60R 11/0217; G06F 1/1688; G10K 9/22;
H04N 5/642; H04R 1/02; H04R 1/025;
H04R 1/323; H04R 5/02; H04R 9/06;
H04R 2400/00; H04S 3/00; H02J 50/005;
H02J 7/0044; H02J 2310/00; H02J
2310/22

See application file for complete search history.

(56) **References Cited**

U.S. PATENT DOCUMENTS

D798,807 S * 10/2017 Shi D13/108
D861,602 S * 10/2019 Feng D13/108
D879,298 S * 3/2020 Byung A61B 8/04
D24/165

OTHER PUBLICATIONS

JBL On Stage IIIP Portable Speaker Dock, Apr. 24, 2011, TechEBlog, site visited Jan. 6, 2023: <https://www.techeblog.com/deal-of-the-day-169-95-jbl-on-stage-iiip-portable-speaker-dock-for-ipod-and-iphone-for-59-99-shipped/> (Year: 2011).*
Cocoda Desk Mount, Jan. 13, 2021, Amazon, site visited Jan. 6, 2023: <https://www.amazon.de/-/en/Cocoda-Generation-Holder-Storage-Eye-catching/dp/B08SVYXW2C> (Year: 2021).*

* cited by examiner

Primary Examiner — Leanne Was-Englehart
Assistant Examiner — Alison Davis

(57) **CLAIM**

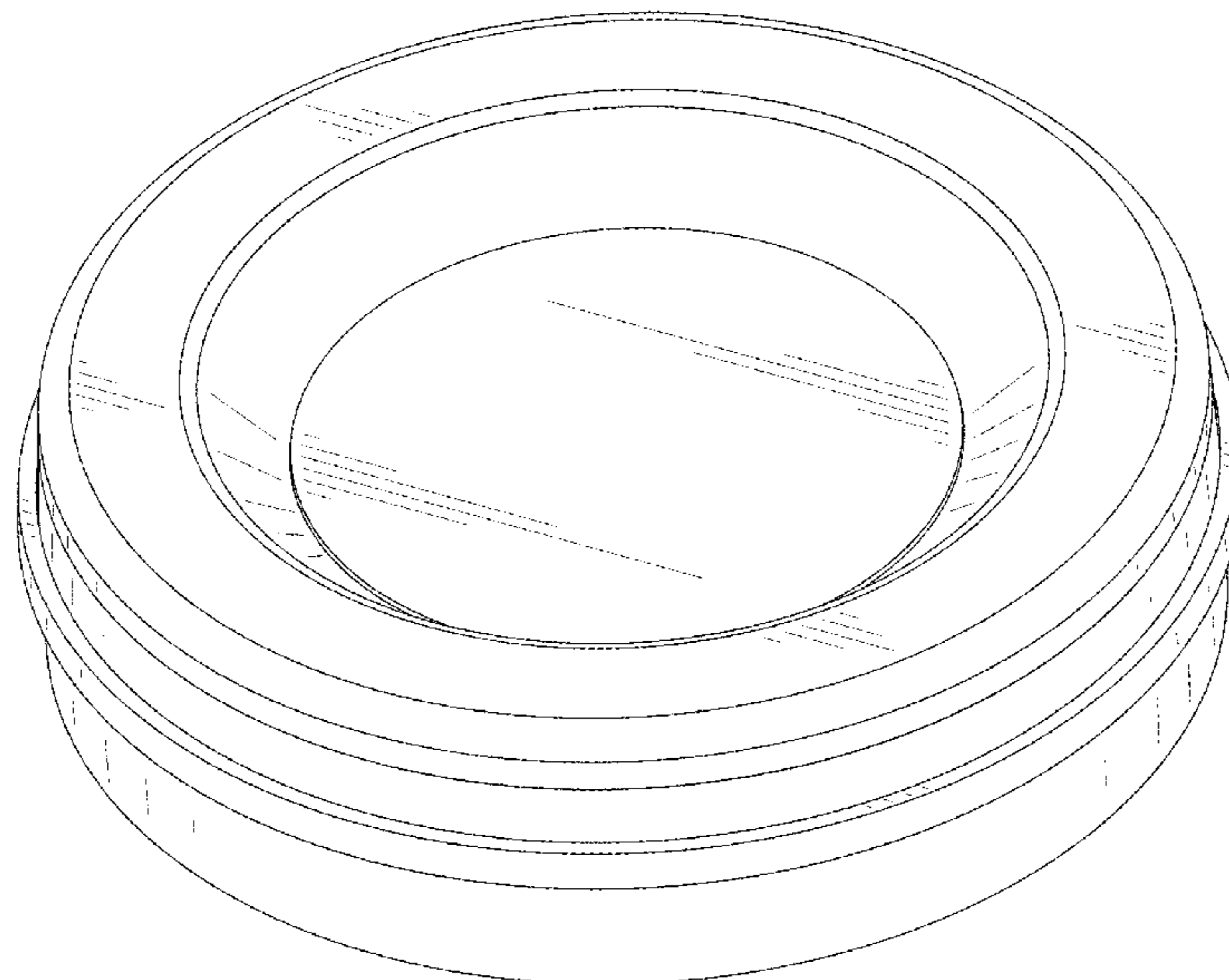
The ornamental design for a stand for loudspeaker, as shown and described.

DESCRIPTION

FIG. 1 is a perspective view of a stand for loudspeaker showing my new design;
FIG. 2 is another perspective view thereof;
FIG. 3 is a front elevational view thereof;
FIG. 4 is a rear devotional view thereof;
FIG. 5 is a left side elevational view thereof;
FIG. 6 is a right side elevational view thereof;
FIG. 7 is a top plan view thereof; and,
FIG. 8 is a bottom plan view thereof.

The broken lines in the drawings depict portions of the stand for loudspeaker that form no part of the claimed design.

1 Claim, 8 Drawing Sheets



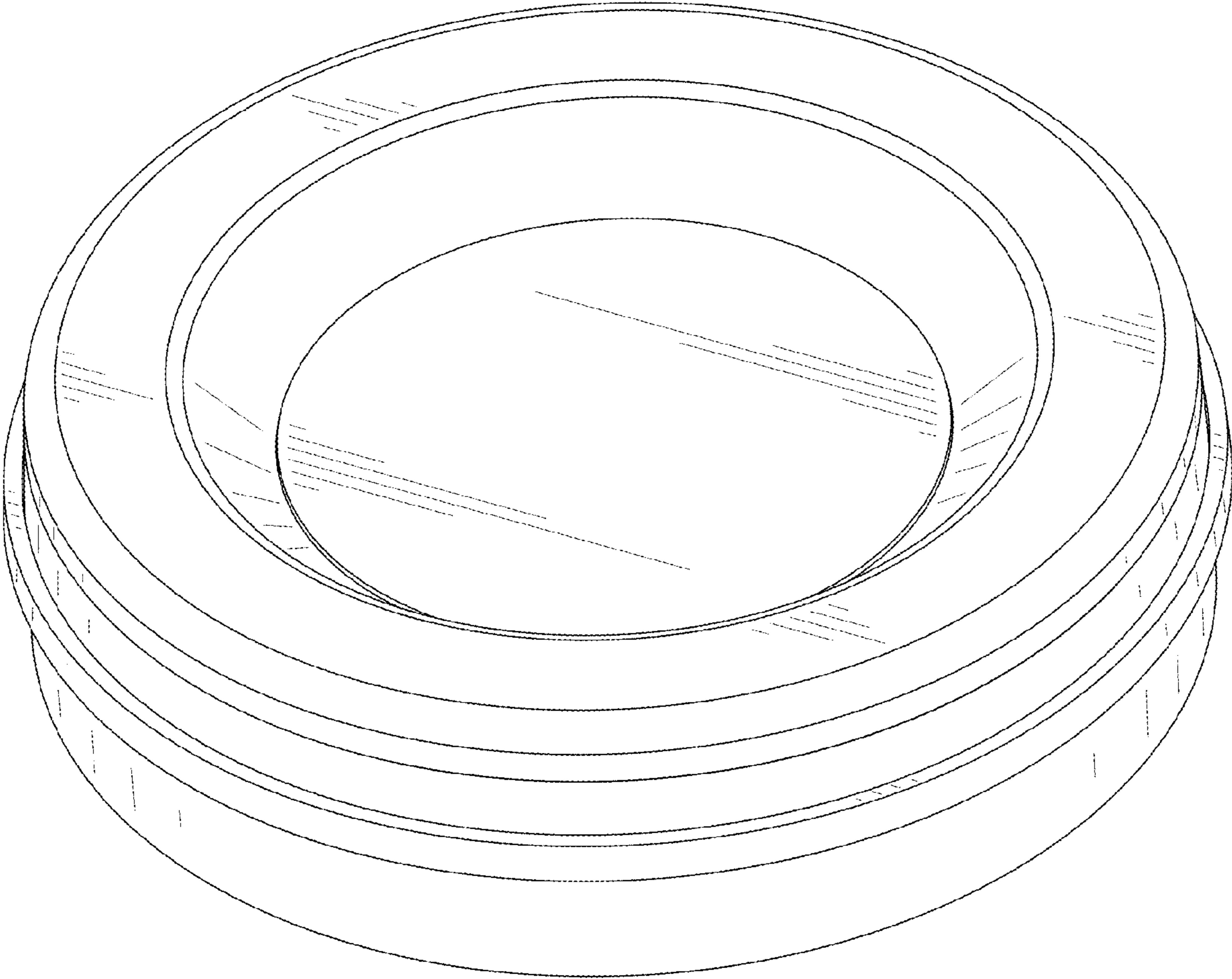


FIG. 1

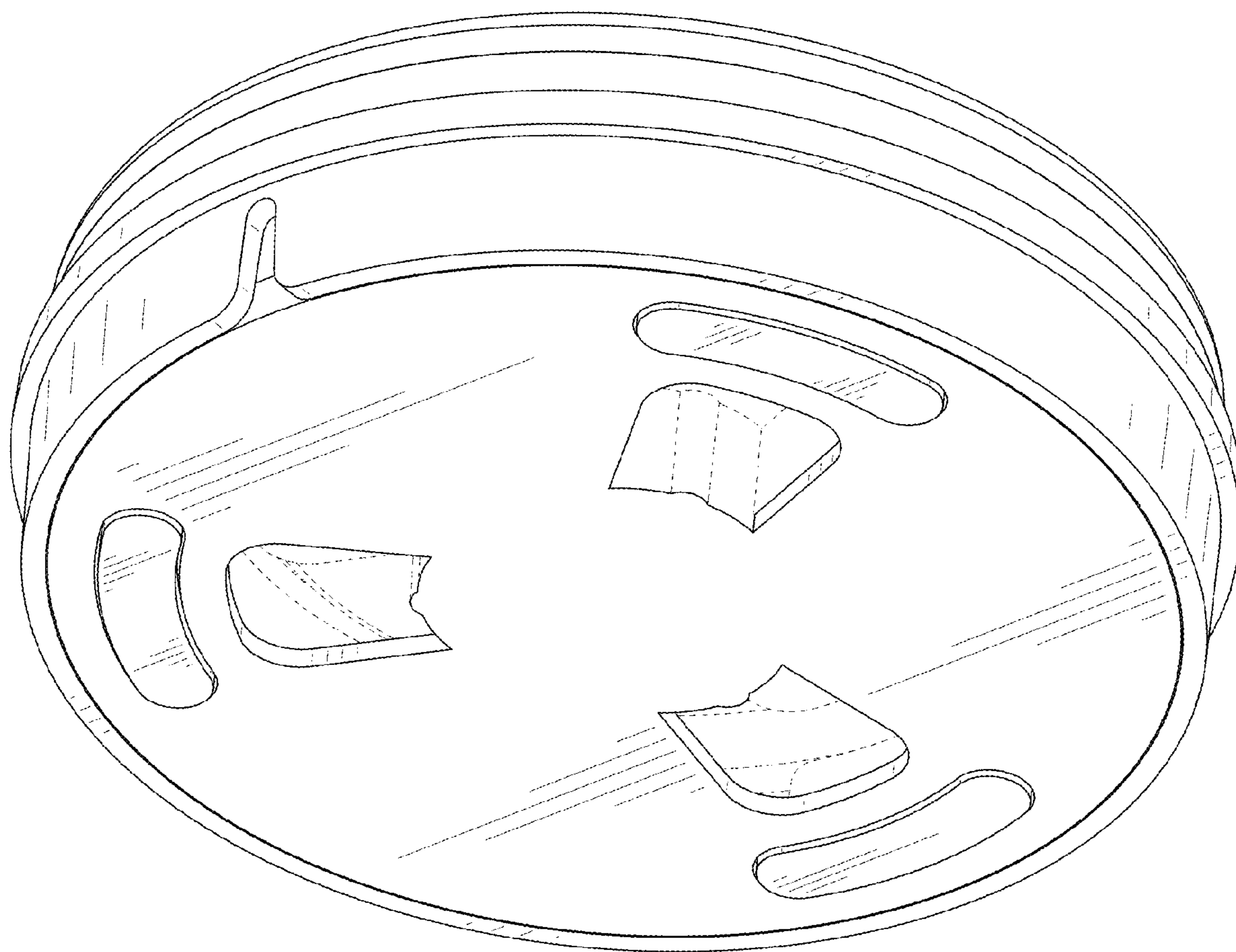


FIG. 2

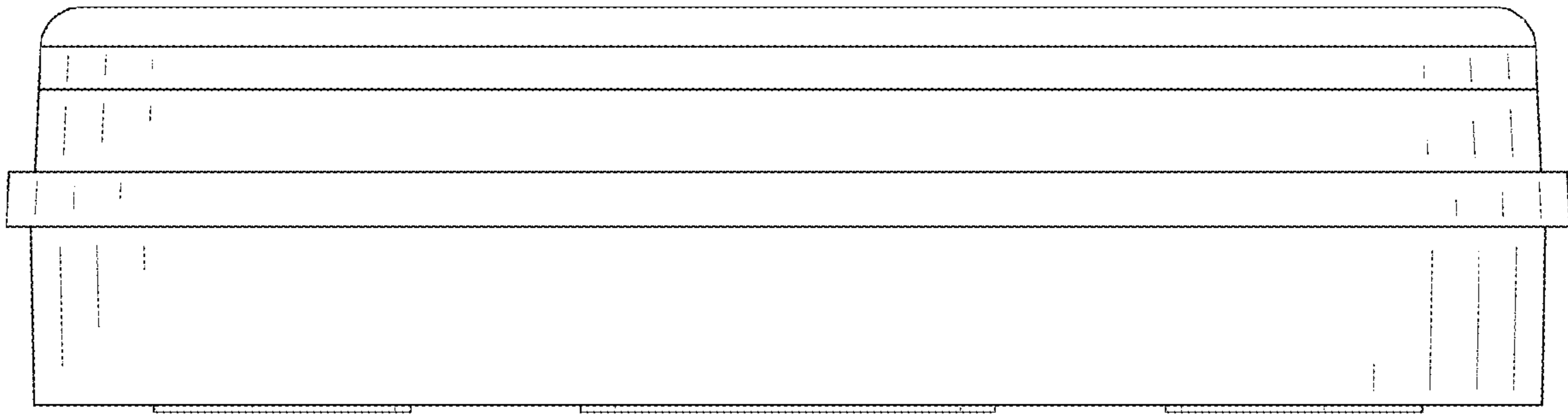


FIG. 3

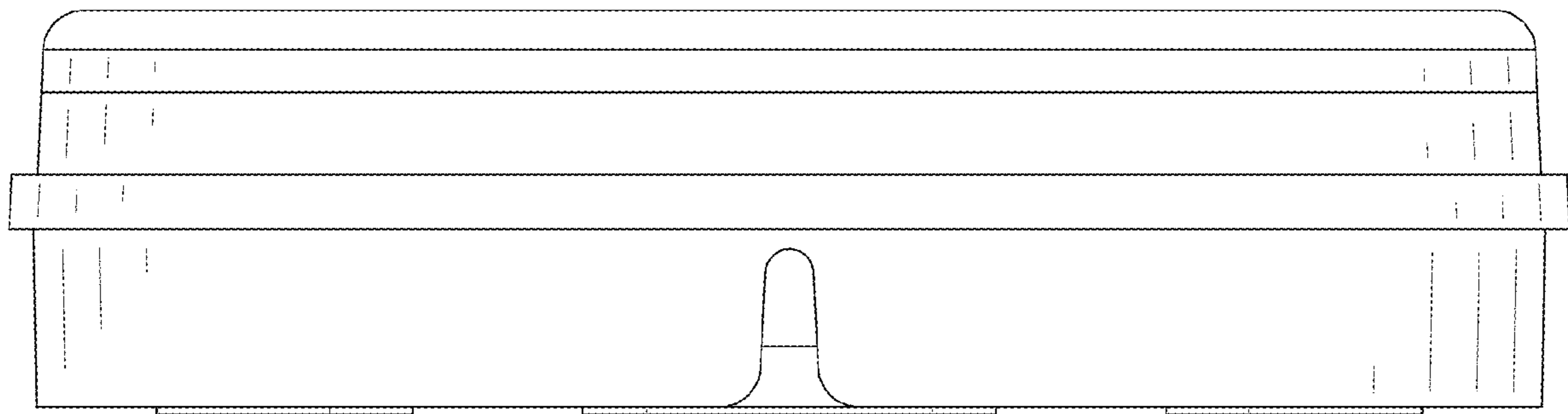


FIG. 4

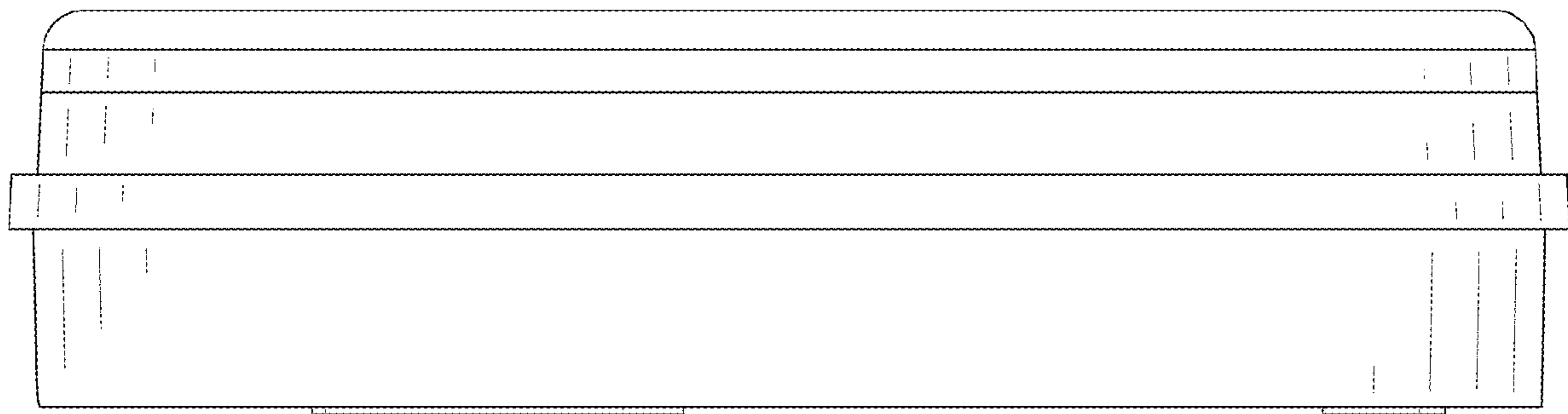


FIG. 5

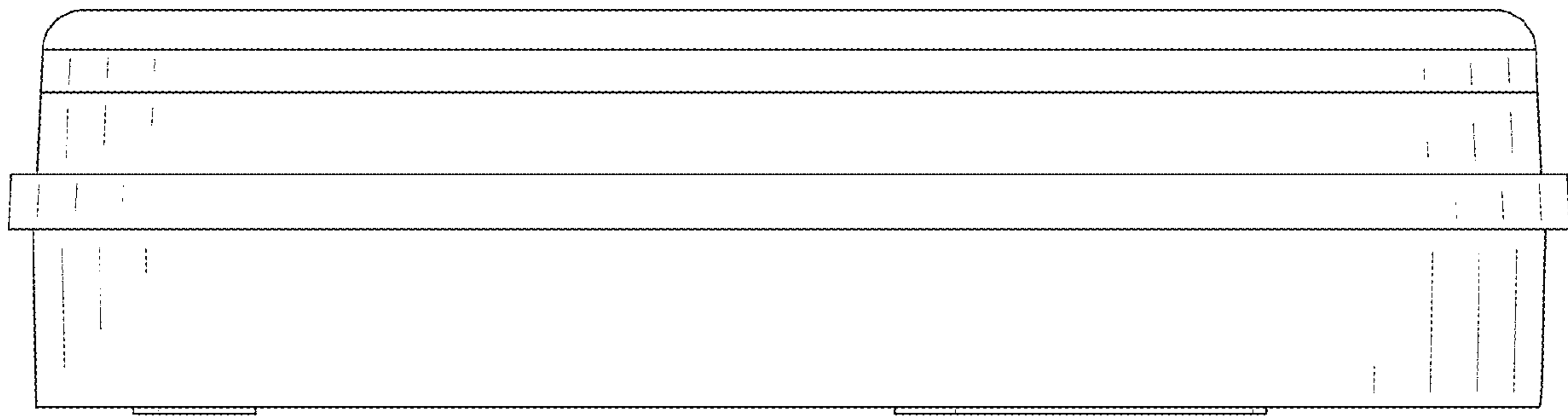


FIG. 6

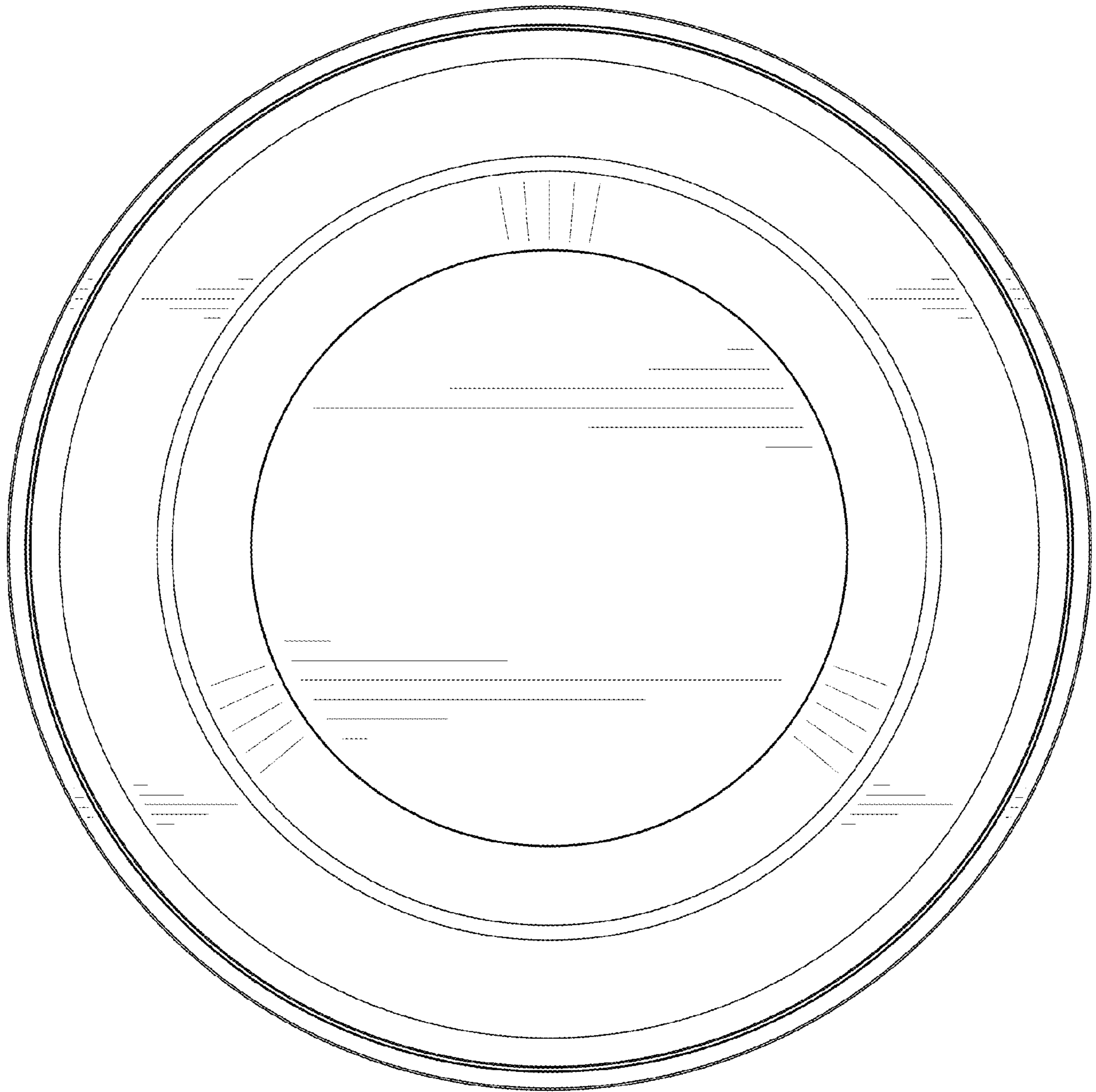


FIG. 7

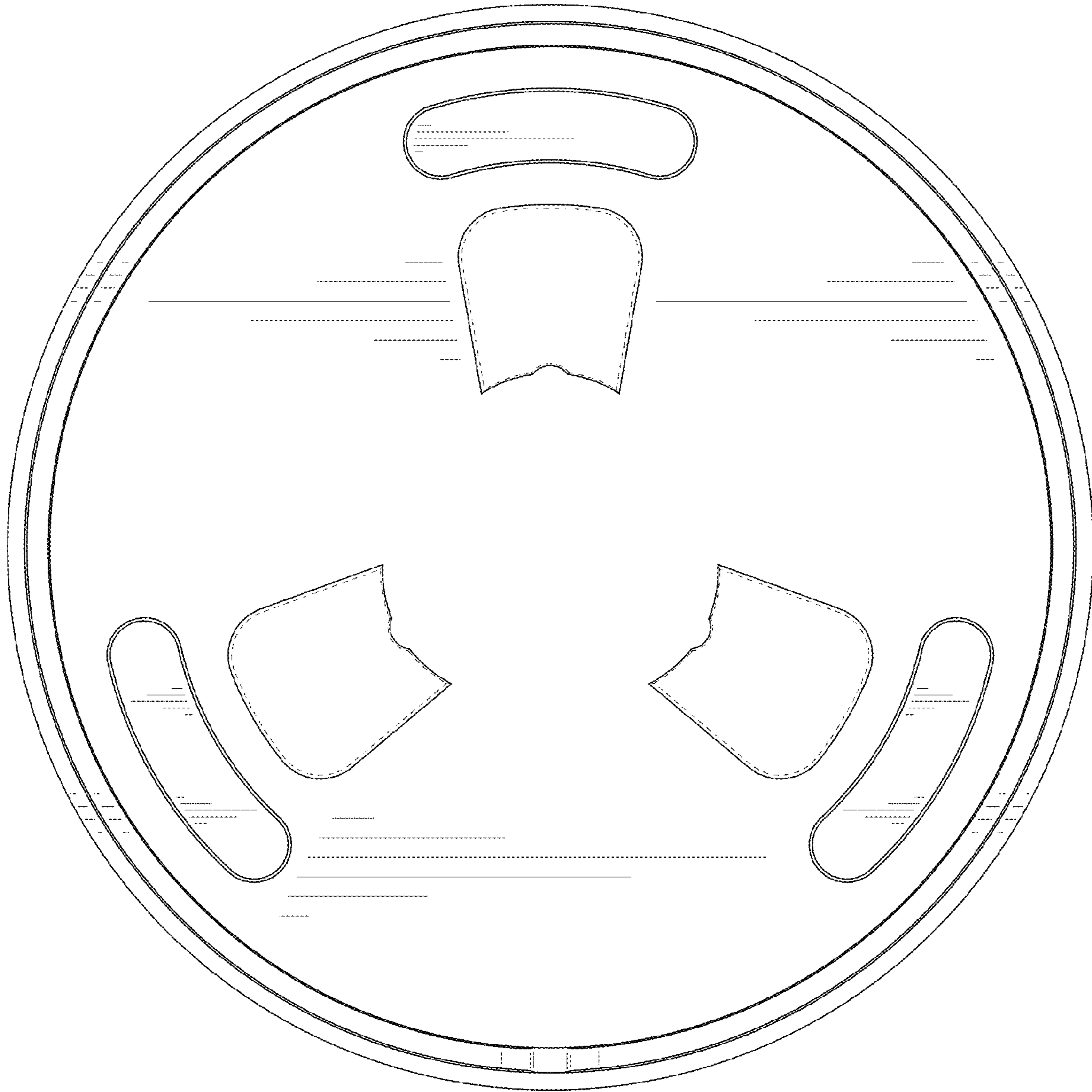


FIG. 8