



US00D982558S

(12) **United States Design Patent**  
**Hajny et al.**

(10) **Patent No.:** **US D982,558 S**

(45) **Date of Patent:** **\*\* Apr. 4, 2023**

(54) **REMOTE CONTROLLER**

(71) Applicant: **Target Brands, Inc.**, Minneapolis, MN (US)

(72) Inventors: **Christopher M. Hajny**, St. Paul, MN (US); **Adam D. Hoppus**, St. Paul, MN (US)

(73) Assignee: **Target Brands, Inc.**, Minneapolis, MN (US)

(\*\*) Term: **15 Years**

(21) Appl. No.: **29/752,875**

(22) Filed: **Sep. 29, 2020**

(51) **LOC (14) Cl.** ..... **14-03**

(52) **U.S. Cl.**  
USPC ..... **D14/218**

(58) **Field of Classification Search**

USPC ..... D14/156, 218, 430, 496; D21/333, 13, D21/27, 324, 328, 329-331, 325; D18/4.4, 6, 7; D19/59, 60, 113; D24/186; D10/104.1, 50, 65, 758; D13/108, 137.3, 138.1, 153, 168, 171  
CPC ..... A63F 13/23; A63F 13/24; A63F 13/25; A63F 13/218; A63F 2300/1087  
See application file for complete search history.

(56) **References Cited**

**U.S. PATENT DOCUMENTS**

D230,496 S \* 2/1974 Stastny ..... D12/174  
D258,954 S \* 4/1981 Leon ..... D14/413  
D656,551 S \* 3/2012 Williamson ..... D21/325  
D706,268 S \* 6/2014 Beams ..... D14/413  
D942,547 S \* 2/2022 Yang ..... D21/325

**FOREIGN PATENT DOCUMENTS**

KR 301150514.0000 \* 2/2022

**OTHER PUBLICATIONS**

Wondershop Christmas Tree Lighting Switch, first available Nov. 9, 2021 [online], [retrieved Jul. 25, 2022]. Available from the Internet, URL: <<https://www.mercari.com/us/item/m95759396395/>>. (Year: 2021).\*

Green Tree Jewelry Steampunk, first available Jun. 10, 2016 [online], [retrieved Jul. 25, 2022]. Available from the Internet, URL: <<https://a.co/d/eJQdv1f>>. (Year: 2016).\*

Amazon, Treemote, <https://www.amazon.com/Treemote-Wireless-Remote-Switch-Christmas/dp/B00MP2KREA>, at least as early as Jul. 2020, 1 page.

\* cited by examiner

*Primary Examiner* — Dana K Weiland

*Assistant Examiner* — Russell Carnell Smith, Jr.

(74) *Attorney, Agent, or Firm* — Leanne Taveggia Farrell; Westman, Champlin & Koehler, P.A.

(57) **CLAIM**

The ornamental design for a remote controller, as shown and described.

**DESCRIPTION**

FIG. 1 is a perspective view of a remote controller showing our new design;

FIG. 2 is a front view thereof;

FIG. 3 is a back view thereof;

FIG. 4 is a top view thereof;

FIG. 5 is a bottom view thereof;

FIG. 6 is a left side view thereof, the right side view being a mirror image;

FIG. 7 is a perspective view of an alternate position of FIG. 1;

FIG. 8 is a front view of FIG. 7;

FIG. 9 is a back view of FIG. 7;

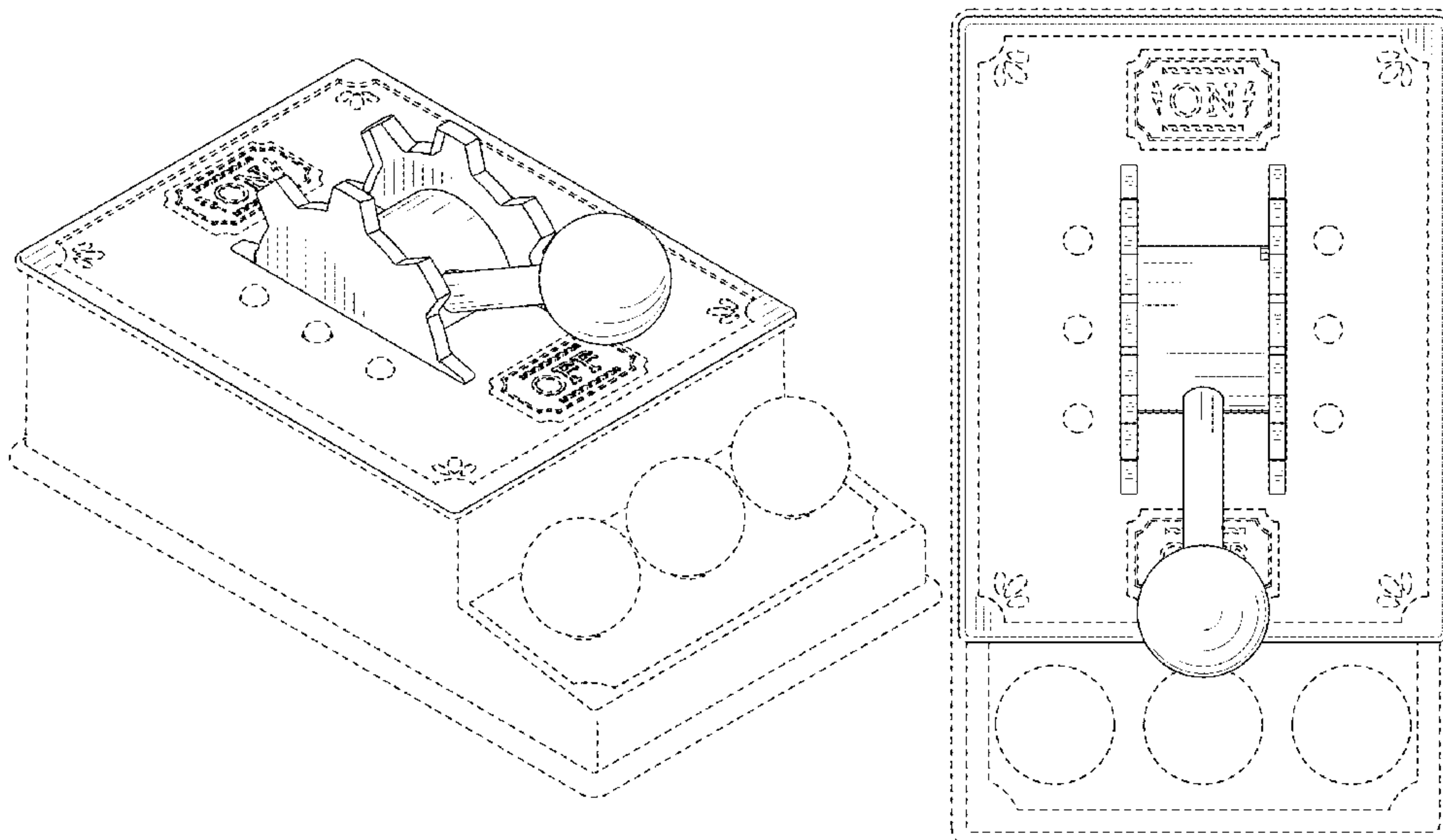
FIG. 10 is a top view of FIG. 7;

FIG. 11 is a bottom view of FIG. 7; and,

FIG. 12 is a left side view of FIG. 7, the right side view being a mirror image.

The broken lines illustrate portions of the remote controller and form no part of the claimed design.

**1 Claim, 12 Drawing Sheets**



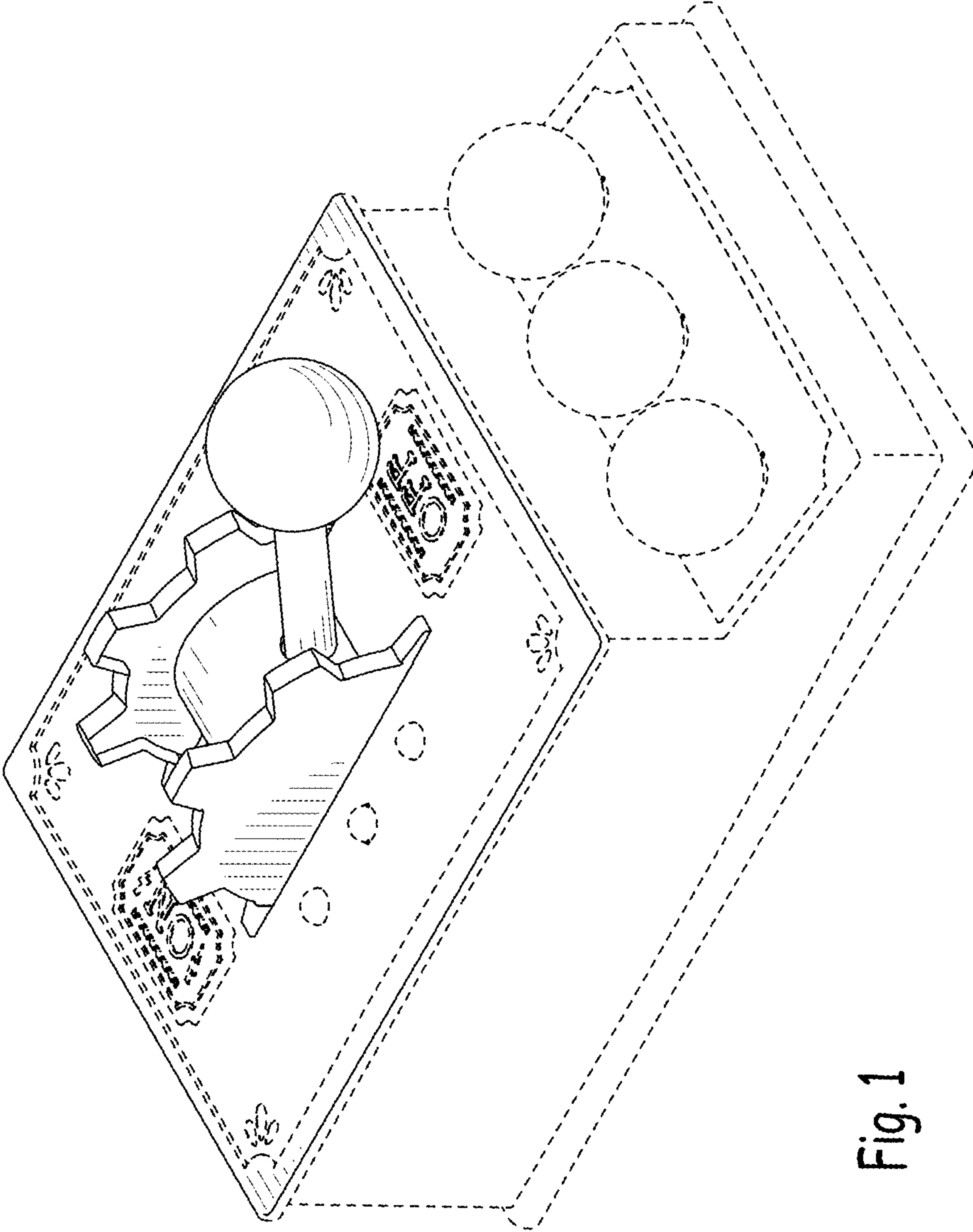


Fig. 1

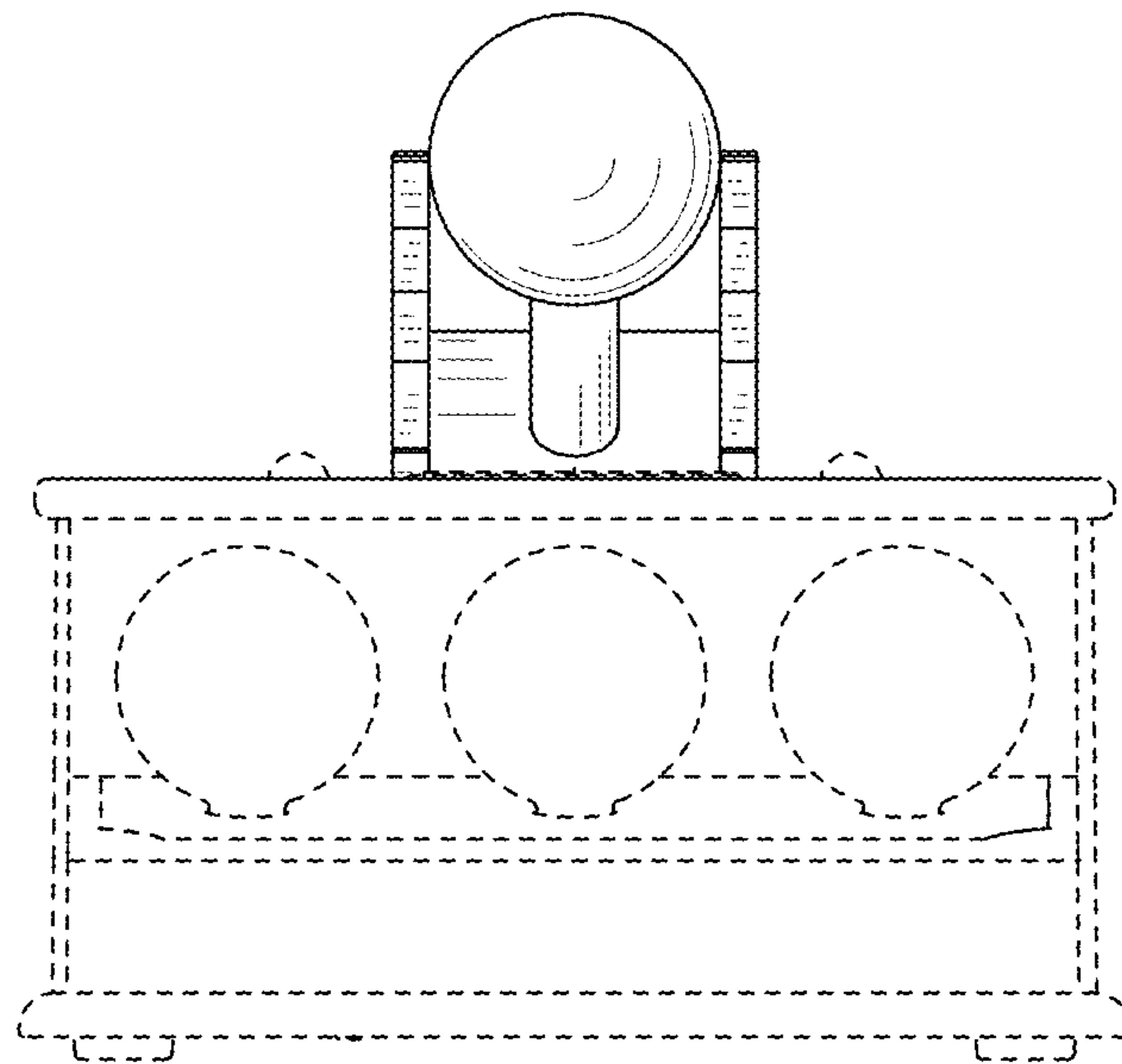


Fig. 2

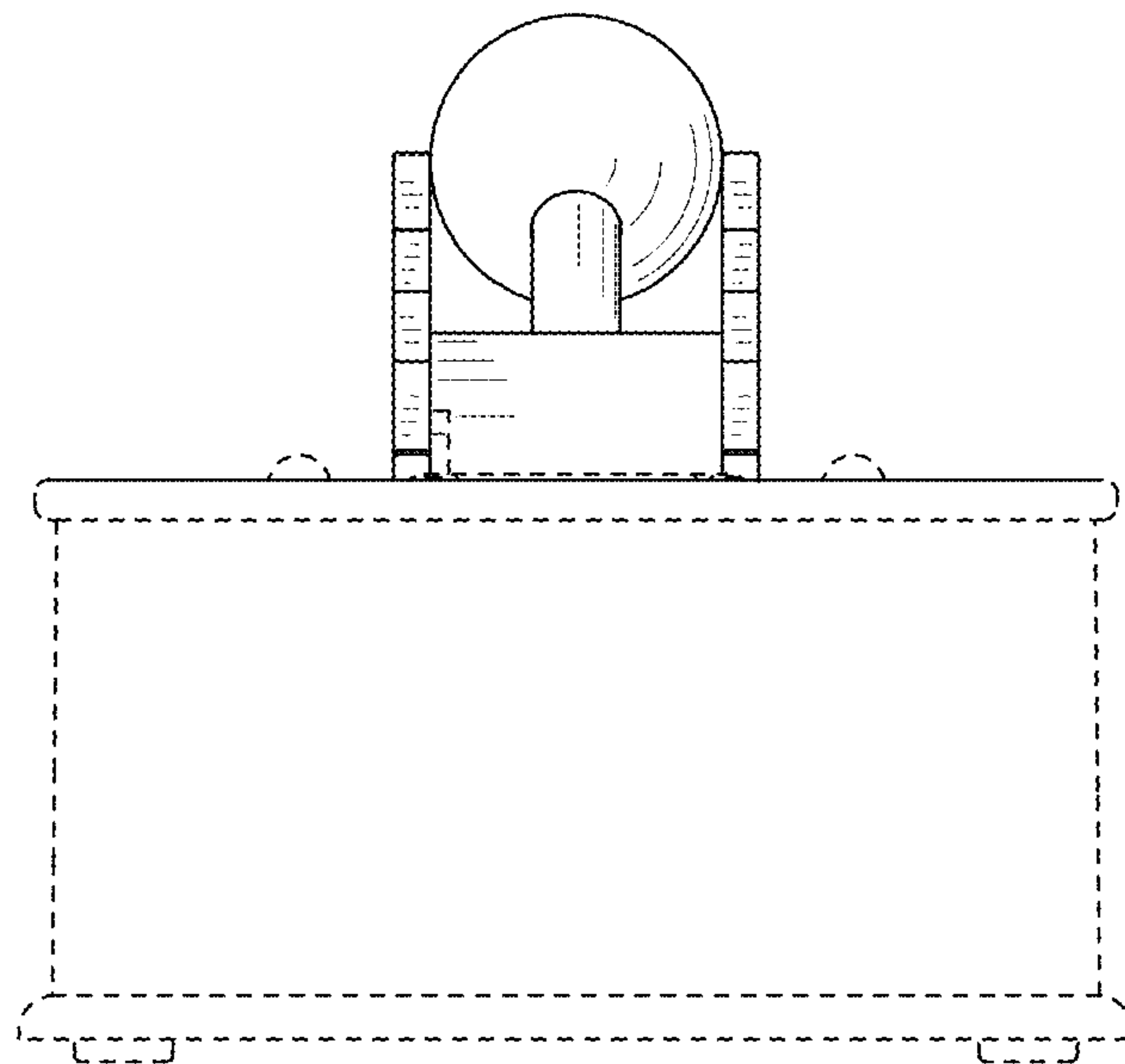


Fig. 3

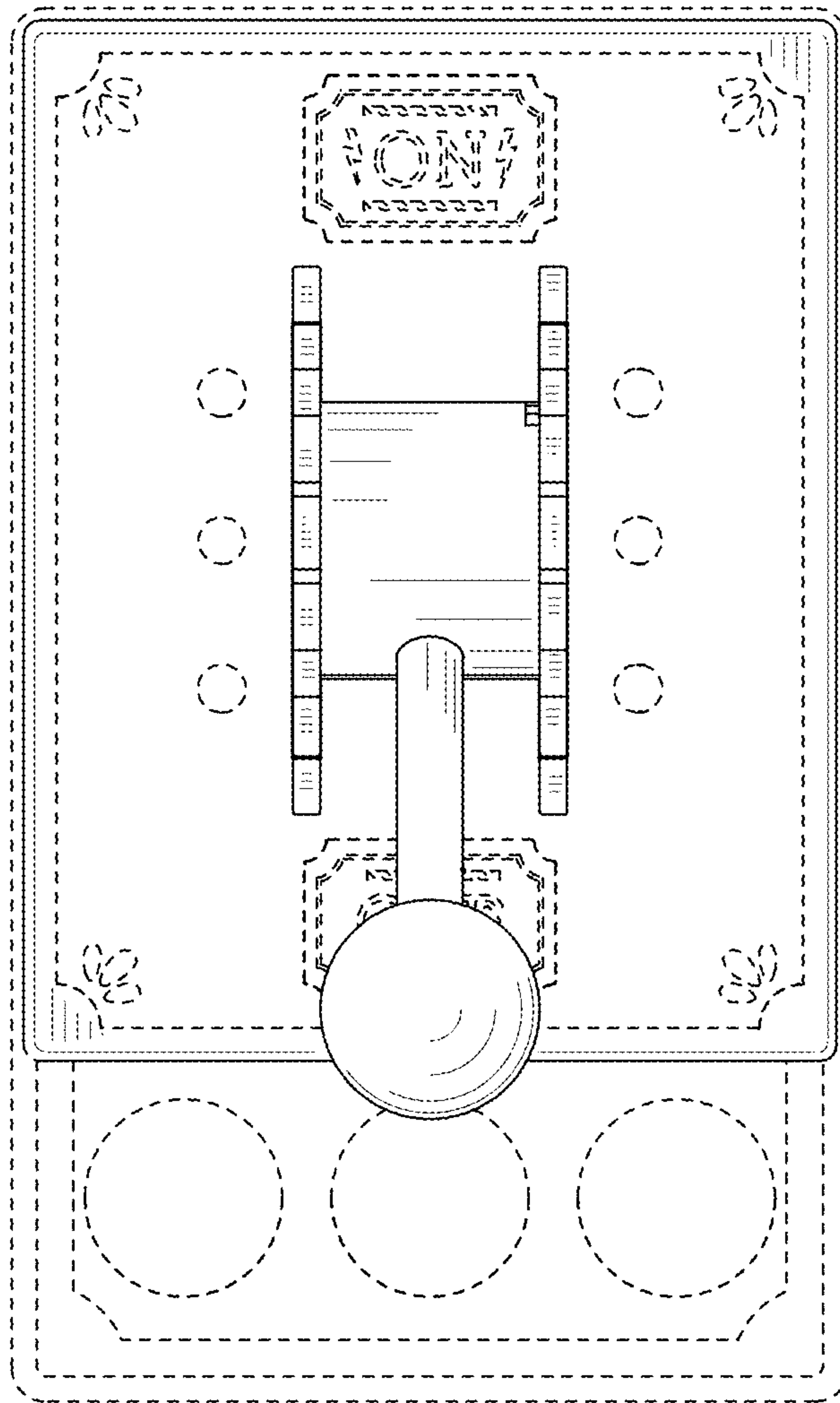


Fig. 4

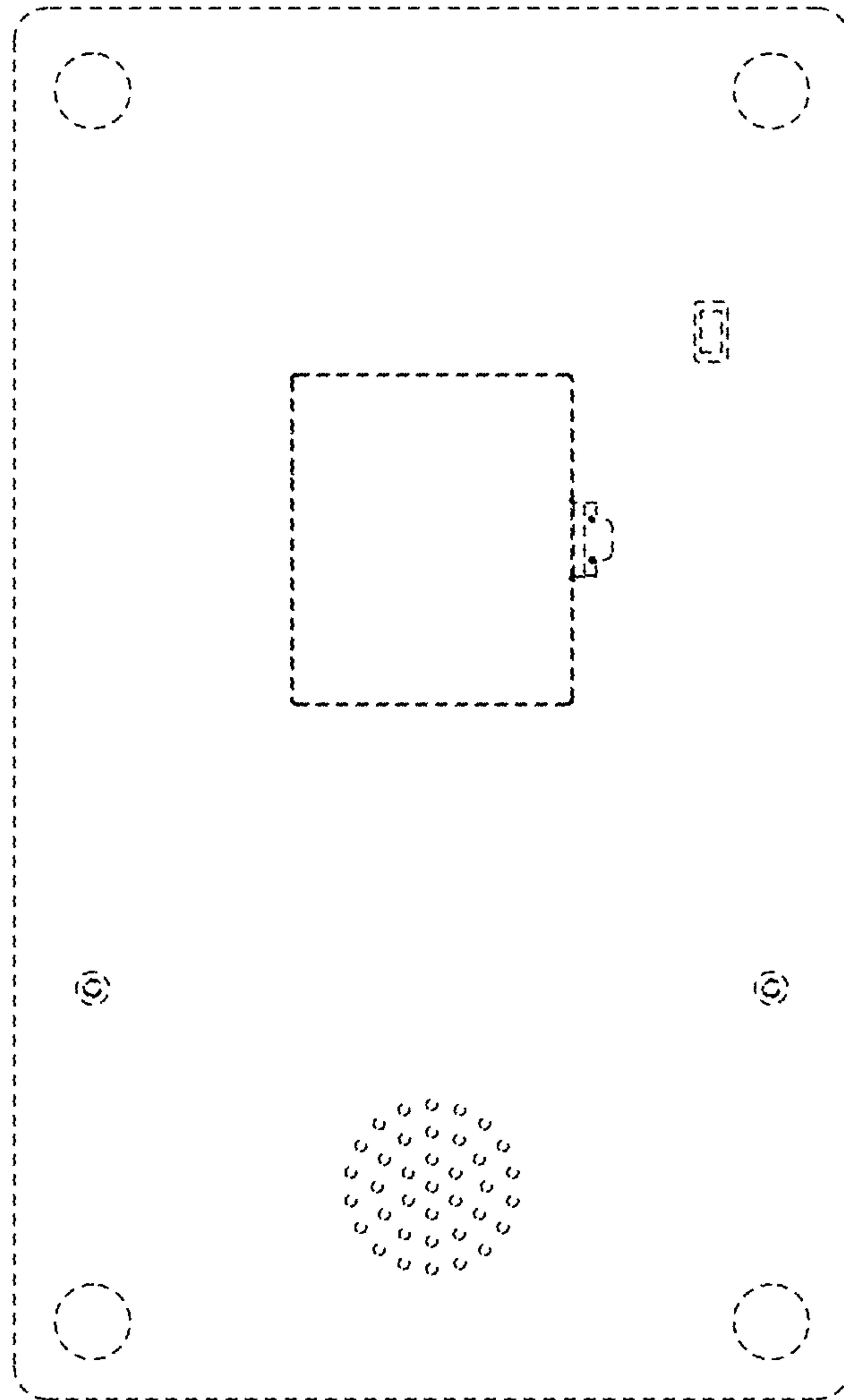


Fig. 5



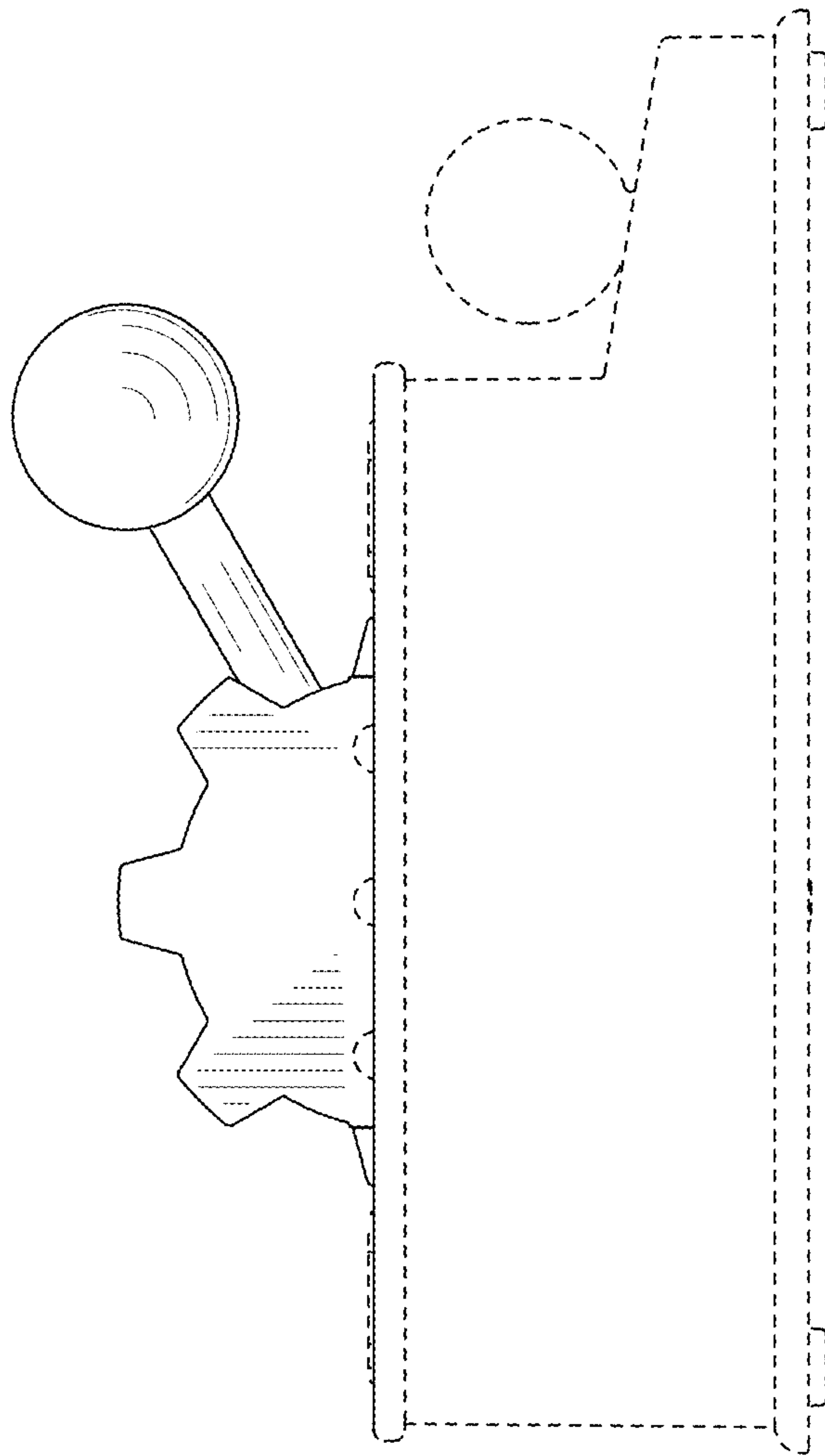


Fig. 6

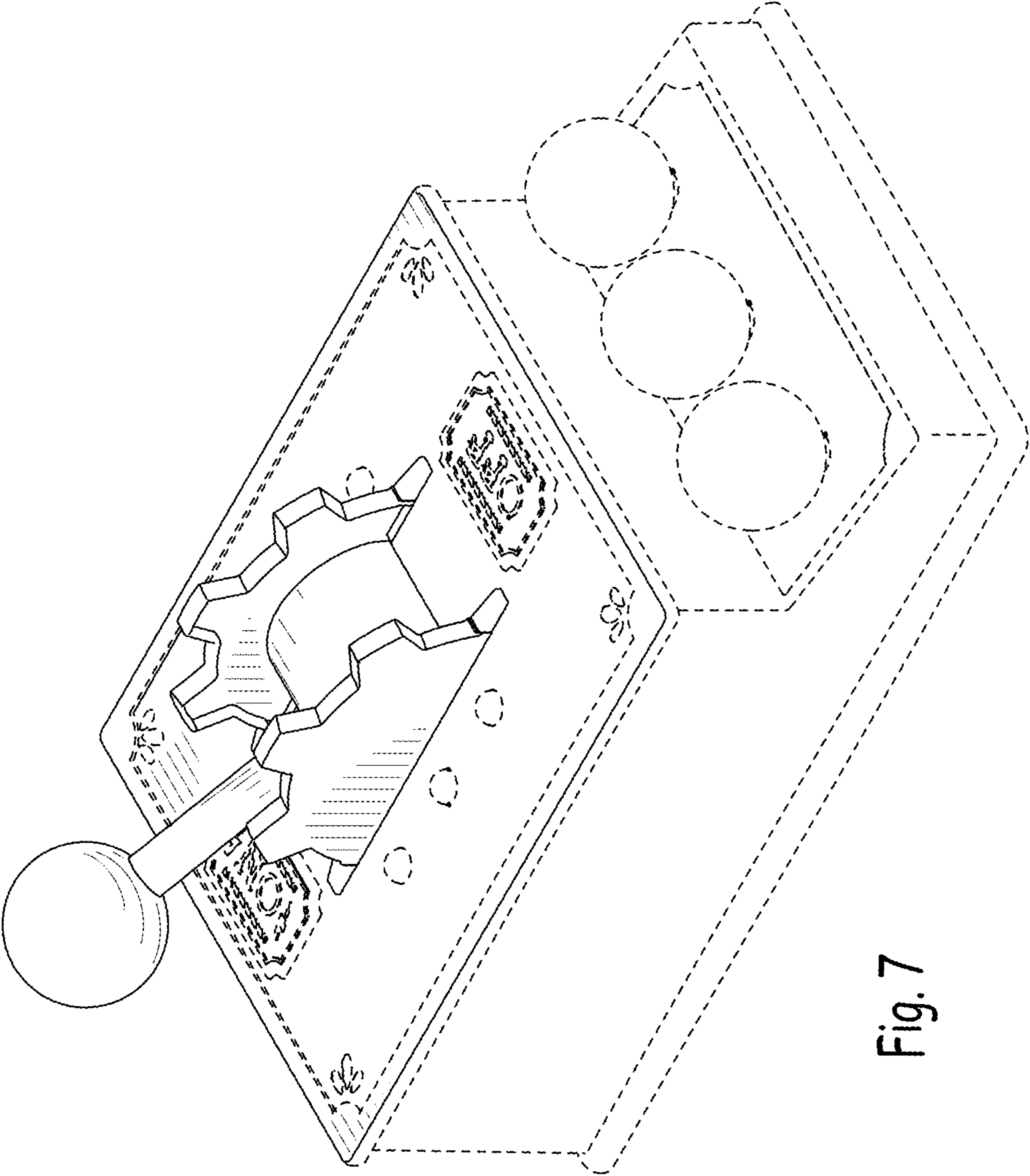


Fig. 7



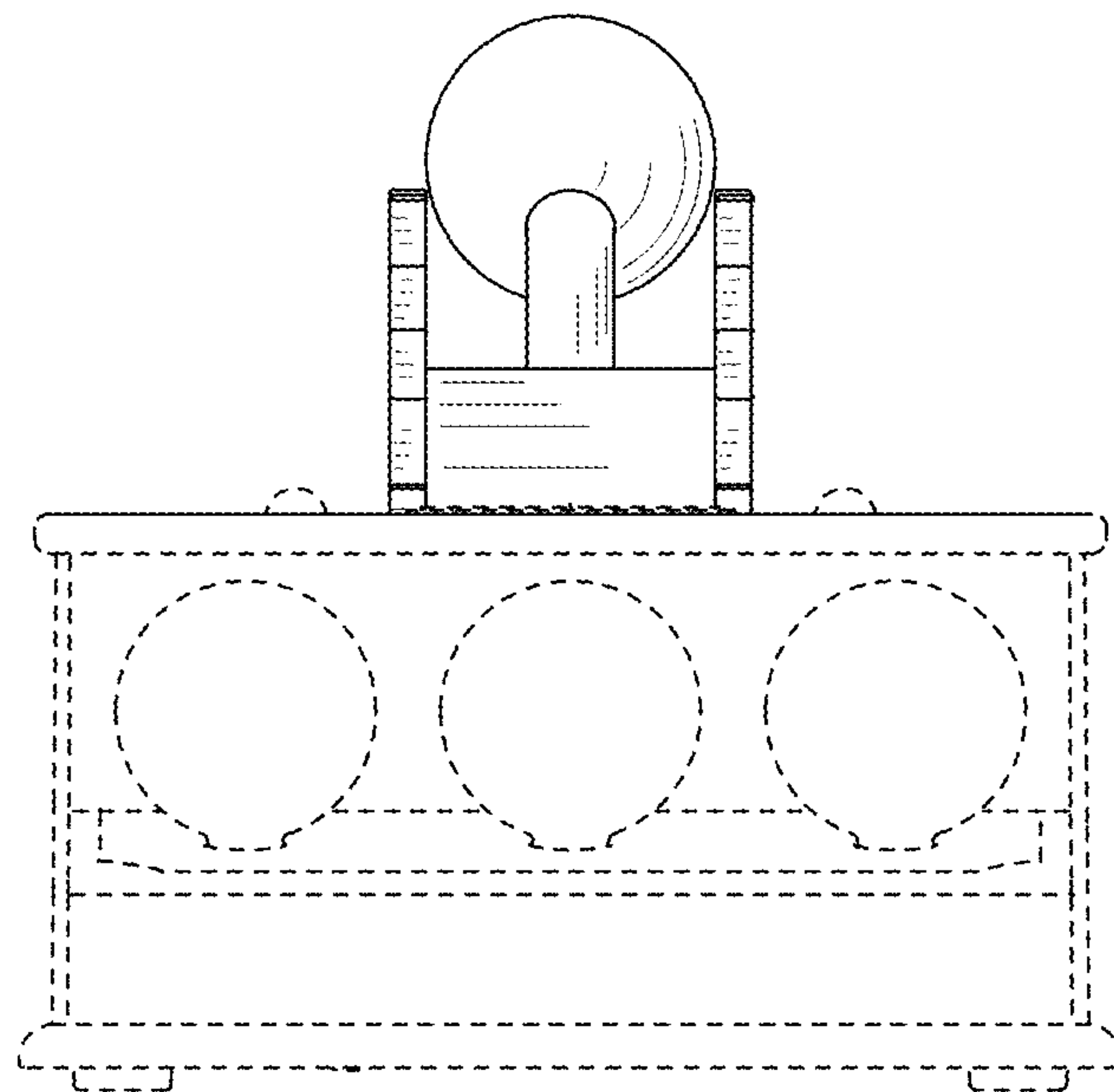


Fig. 8

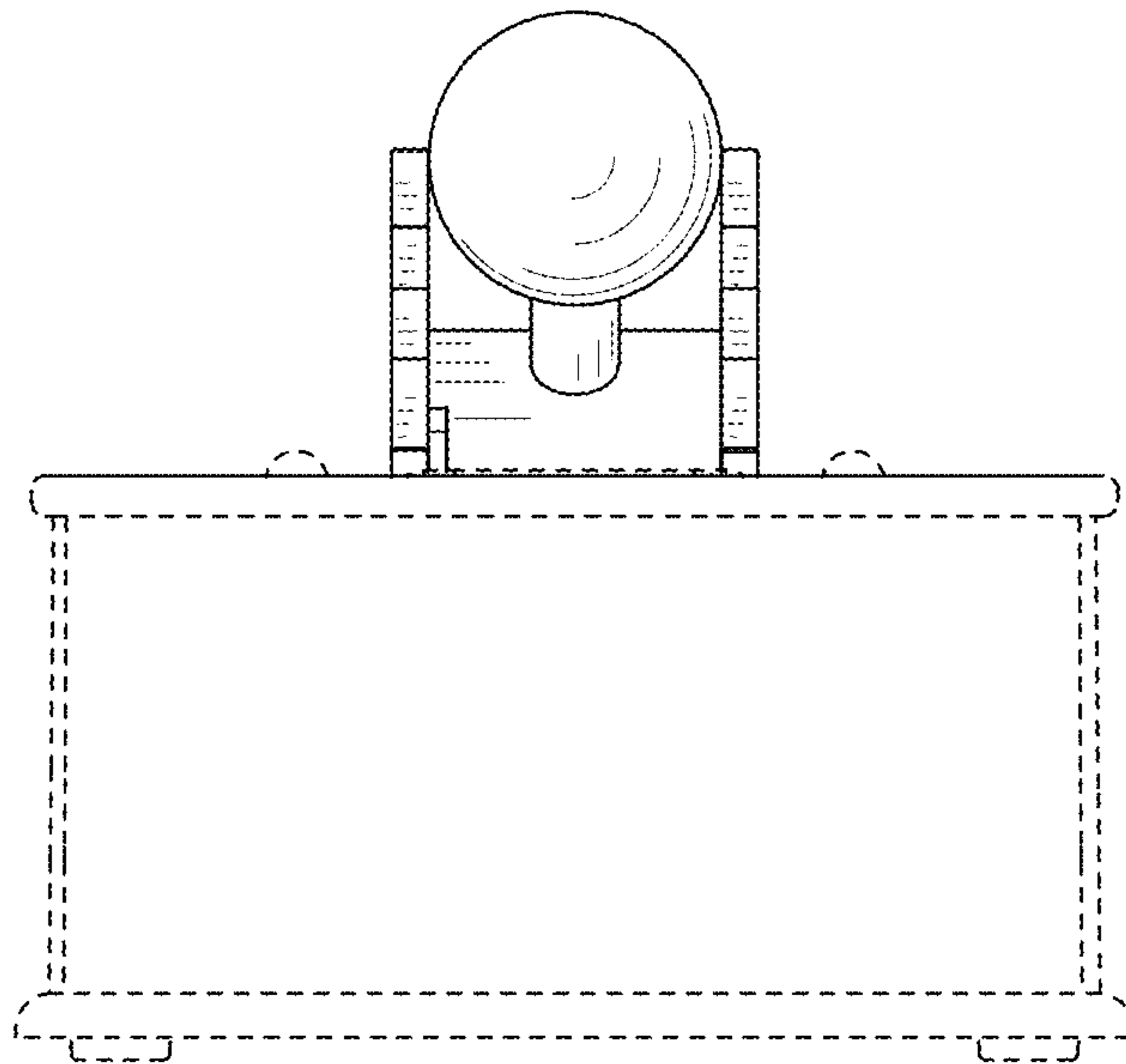


Fig. 9

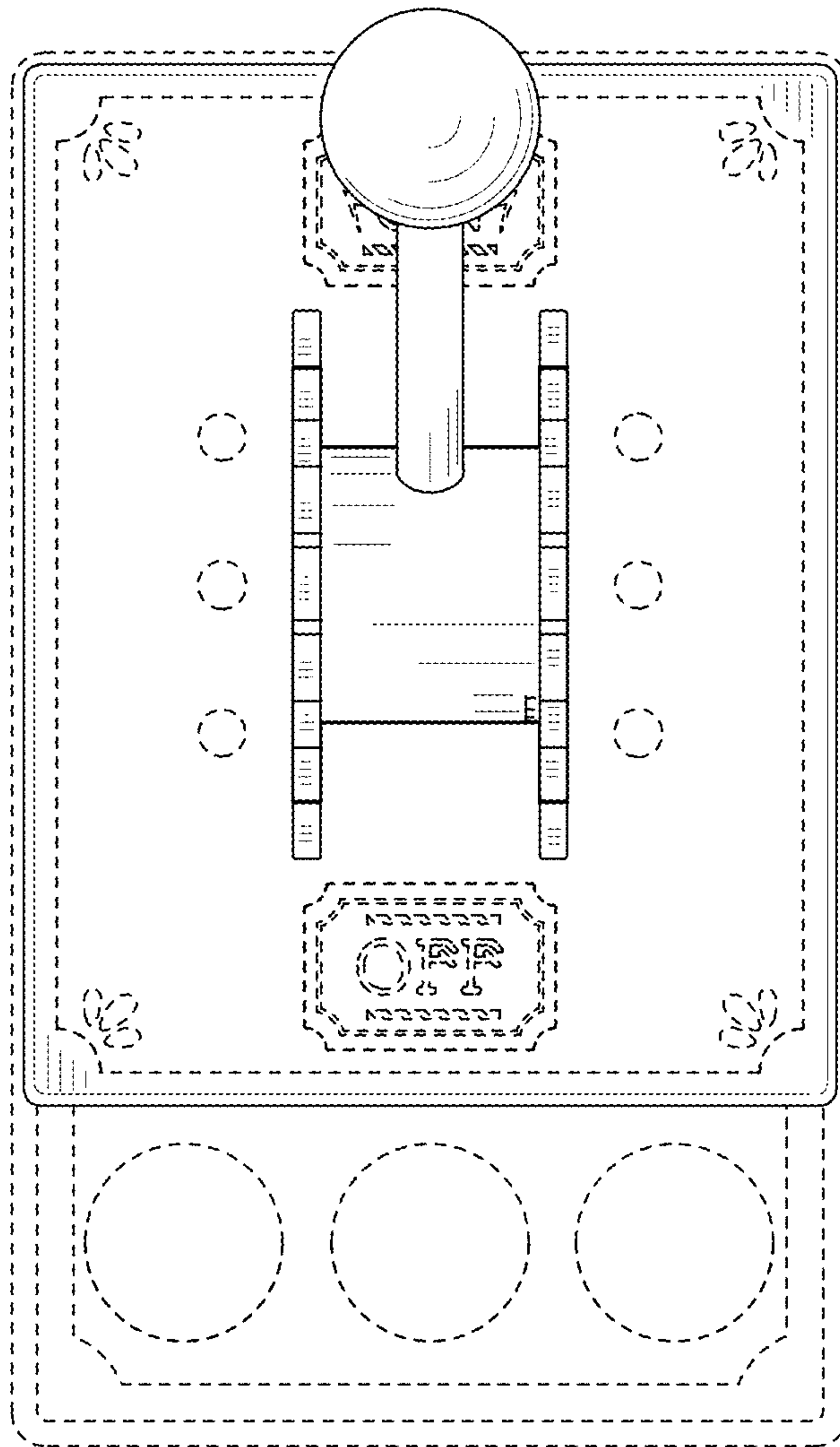


Fig. 10

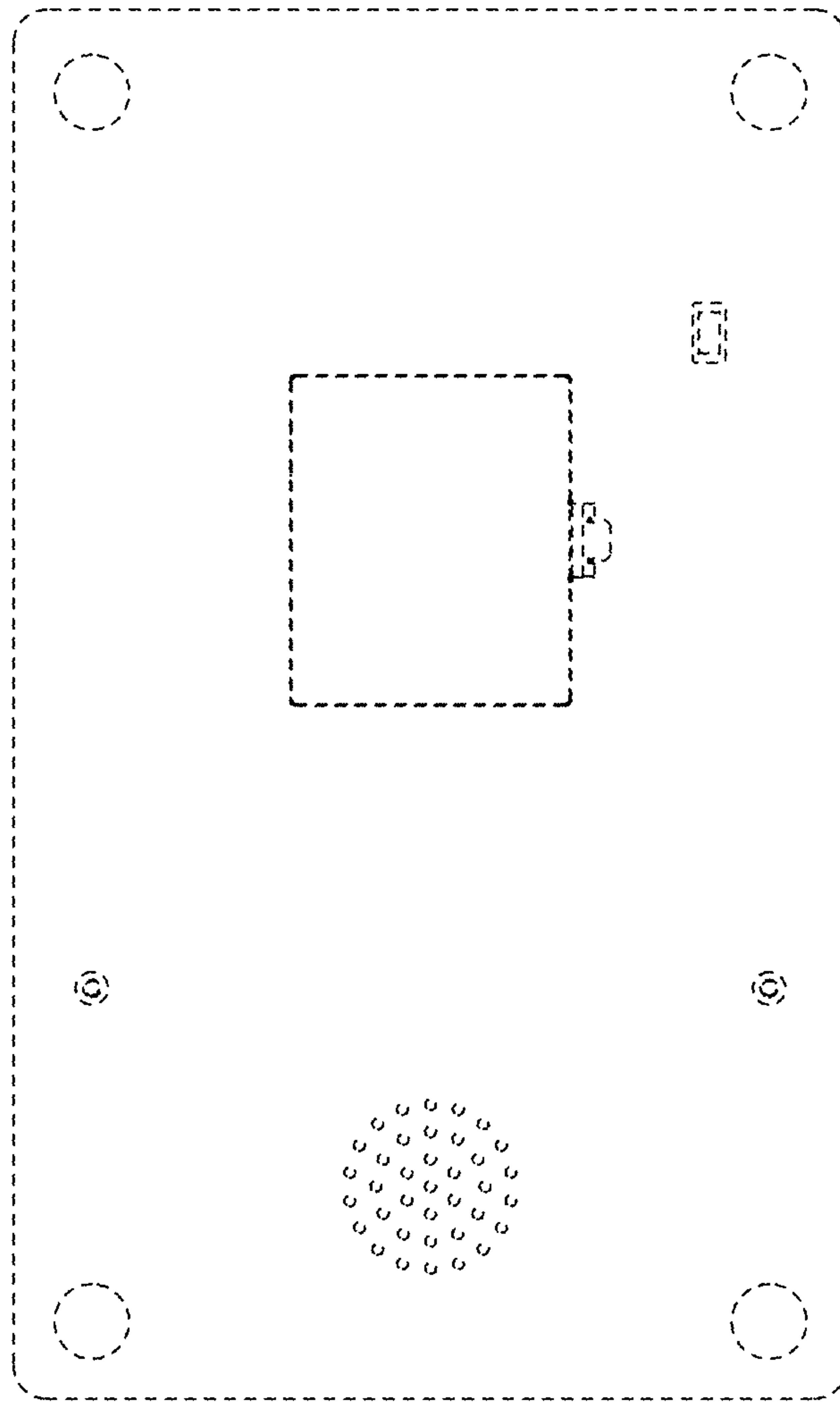


Fig. 11

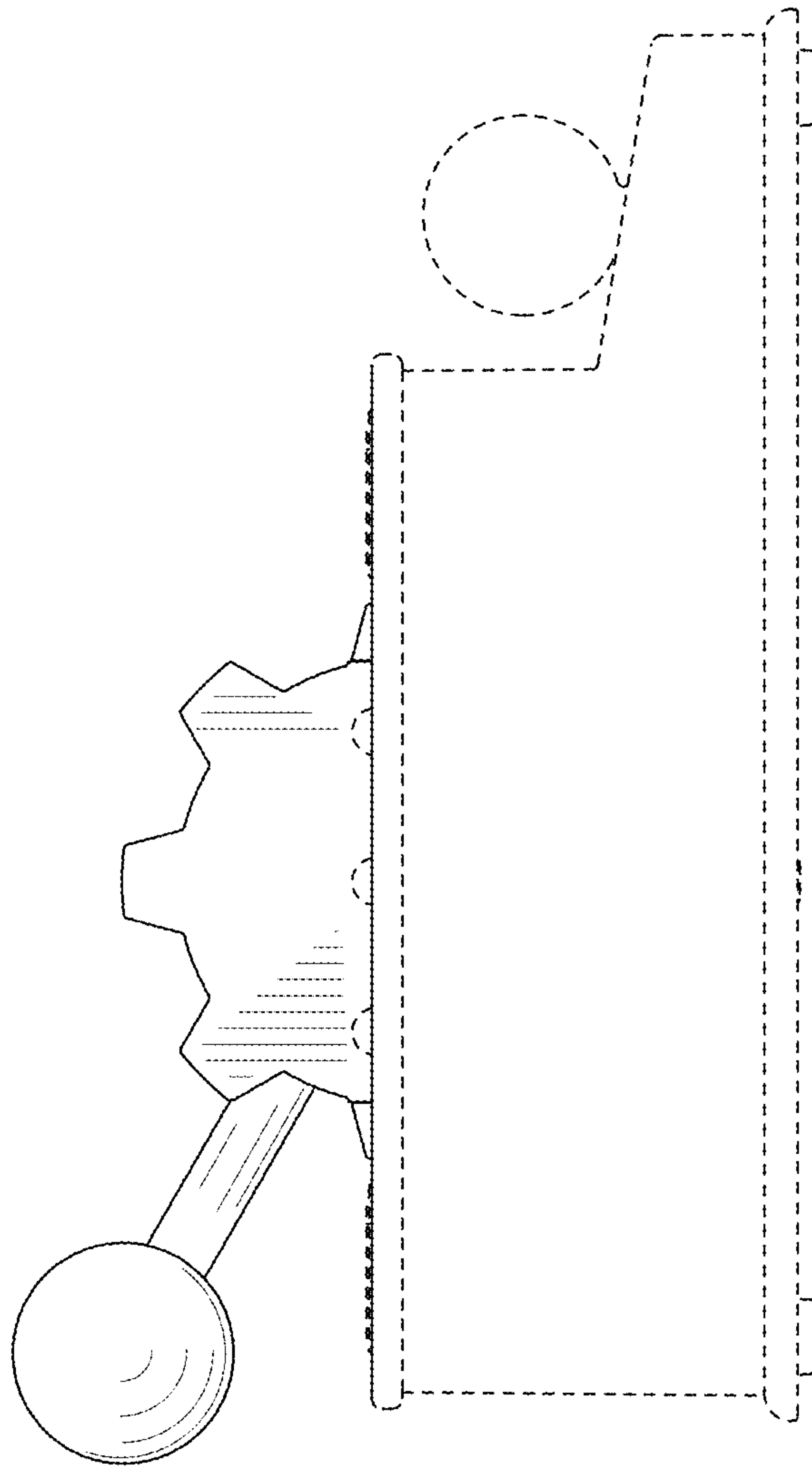


Fig. 12