



US00D982557S

(12) **United States Design Patent**
DeCosta

(10) **Patent No.:** **US D982,557 S**
(45) **Date of Patent:** **** Apr. 4, 2023**

(54) **COMBINED HOLDER AND STRAP FOR SECURING A SPEAKER**

(71) Applicant: **Thomas DeCosta**, Westport, MA (US)

(72) Inventor: **Thomas DeCosta**, Westport, MA (US)

(**) Term: **15 Years**

(21) Appl. No.: **29/756,732**

(22) Filed: **Oct. 30, 2020**

(51) **LOC (14) Cl.** **14-01**

(52) **U.S. Cl.**
USPC **D14/217**

(58) **Field of Classification Search**
USPC ... D14/209.1, 217, 221, 222, 223, 224, 228,
D14/229, 251, 447-452
CPC G06F 3/0412; G06F 3/016; G06F 3/0488;
G06F 3/011; G06F 3/038; H04R 1/025;
H04R 1/026

See application file for complete search history.

(56) **References Cited**

U.S. PATENT DOCUMENTS

4,993,675	A *	2/1991	Walker	A47G 23/0266 220/759
D320,022	S *	9/1991	Watanabe	D14/251
D344,852	S *	3/1994	McManaman	D32/54
D357,387	S *	4/1995	Davidson	D7/622
5,415,447	A *	5/1995	Moore	A47G 21/08 294/32
D592,058	S *	5/2009	Rapaport	D7/622
D772,847	S *	11/2016	Manton	D14/224
D777,150	S *	1/2017	Manton	D14/224
D865,772	S *	11/2019	Theisen	D14/452
D892,773	S *	8/2020	McGee	D14/225
D939,480	S *	12/2021	van Til	D14/224
D952,612	S *	5/2022	Malone	D14/224

FOREIGN PATENT DOCUMENTS

KR 300434141.0000 * 12/2006

OTHER PUBLICATIONS

Adjustable Wall Mount, first available Feb. 13, 2020 [online], [retrieved Nov. 15, 2022]. Available from the Internet, URL: <https://a.co/d/9AFO7jv>. (Year: 2020).*

Sanus WSWM21, oldest review Dec. 31, 2019 [online], [retrieved Nov. 15, 2022]. Available from the Internet, URL: <https://www.crutchfield.com/S-Zo35RxJwp09/p_051WSWM21W/Sanus-WSWM21-White.html>. (Year: 2019).*

* cited by examiner

Primary Examiner — Dana K Weiland
Assistant Examiner — Russell Carnell Smith, Jr.

(57) **CLAIM**

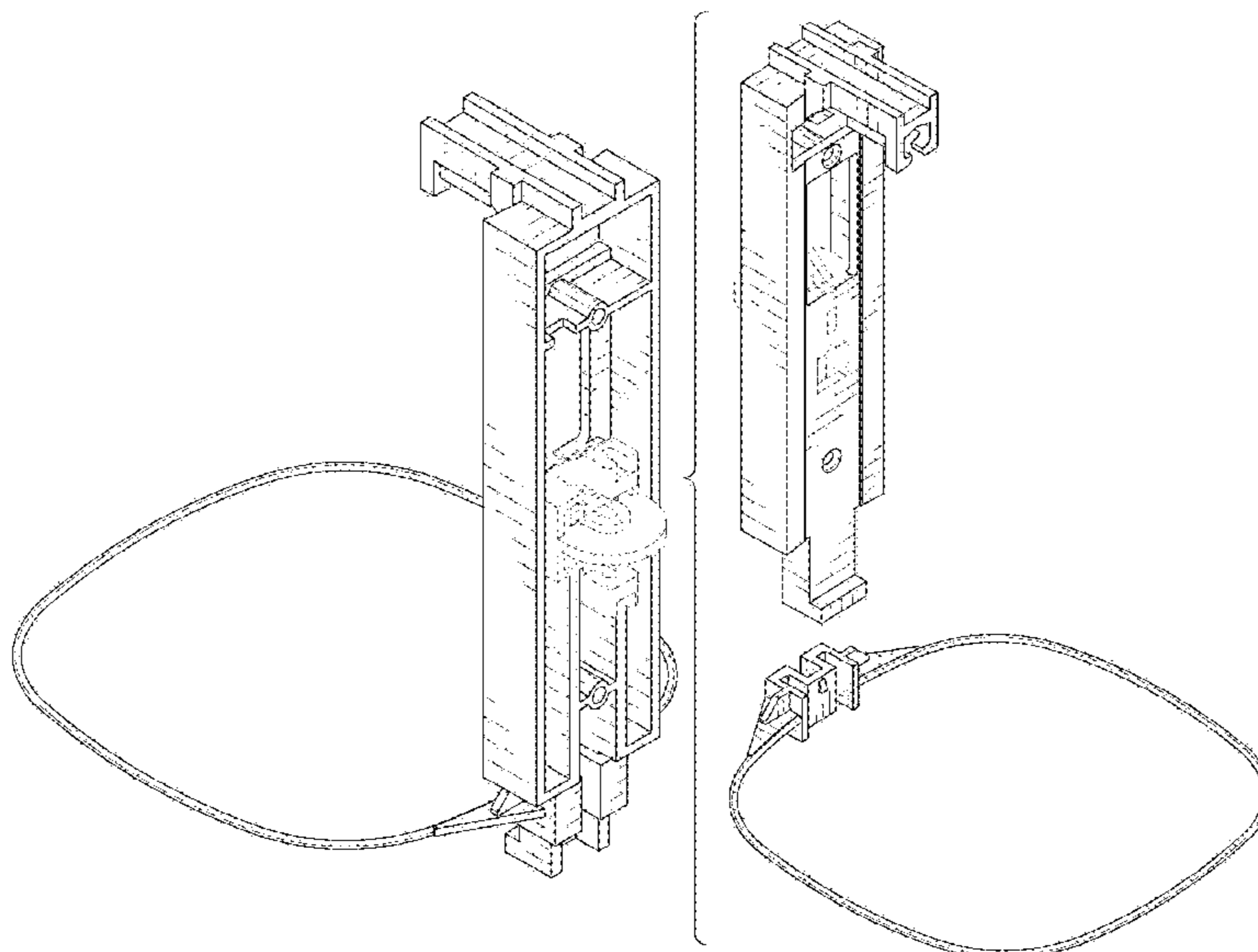
The ornamental design for a combined holder and strap for securing a speaker, as shown and described.

DESCRIPTION

FIG. 1 is a rear perspective view of the combined holder and strap for securing a speaker, in an assembled position with a speaker, showing my new design;
FIG. 2 is a rear perspective view without the speaker of FIG. 1;
FIG. 3 is a left side view of FIG. 2;
FIG. 4 is a right side view of FIG. 2;
FIG. 5 is a rear view of FIG. 2;
FIG. 6 is a front view of FIG. 2;
FIG. 7 is a top view of FIG. 2;
FIG. 8 is a bottom view of FIG. 2;
FIG. 9 is a rear exploded view of FIG. 2; and,
FIG. 10 is a front exploded view of FIG. 2.

The broken lines showing a speaker in FIG. 1 are for the purposes of illustrating environmental structure and form no part of the claimed design. All other broken lines depict portions of the combined holder and strap for securing a speaker that form no part of the claimed design.

1 Claim, 10 Drawing Sheets



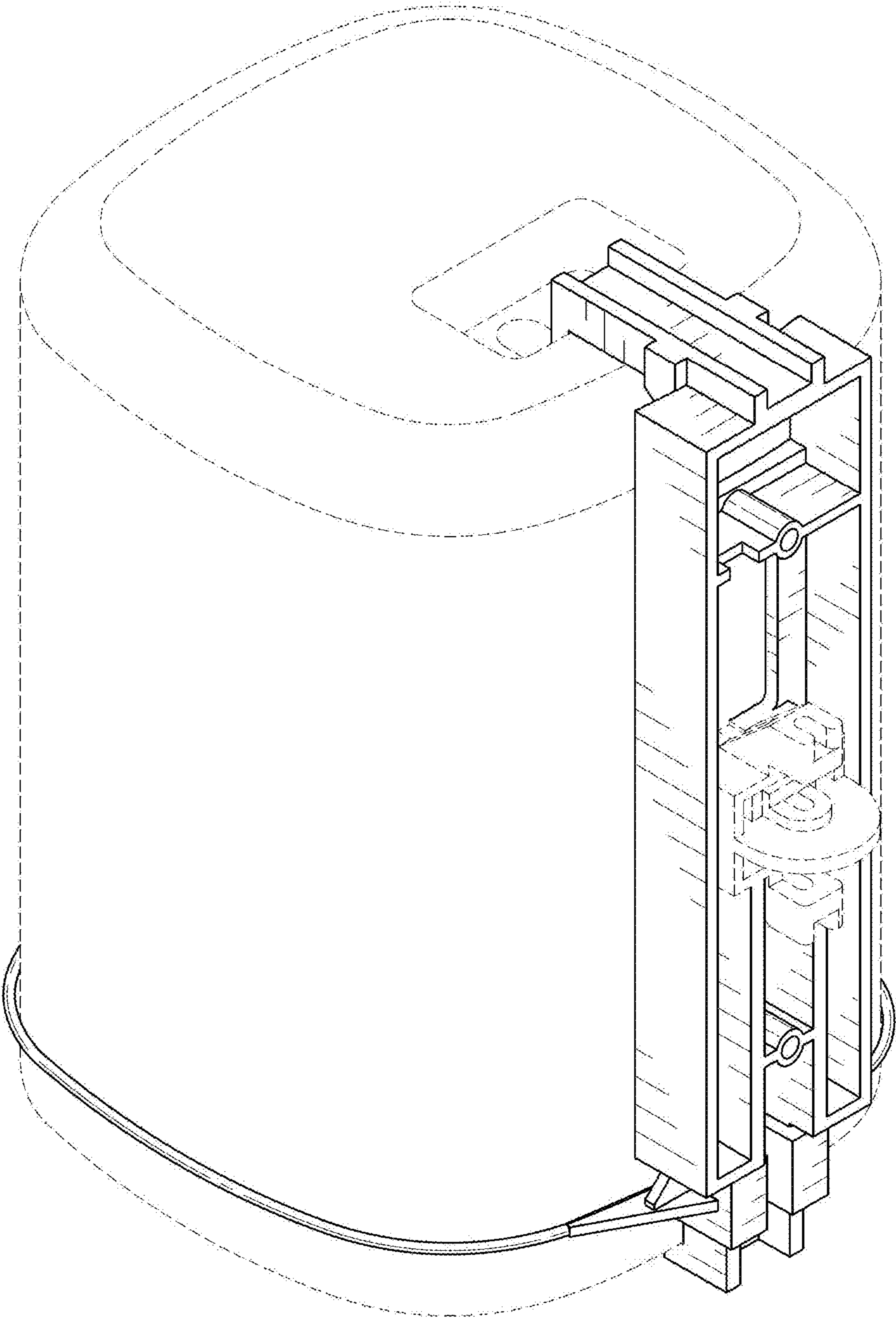


FIG. 1

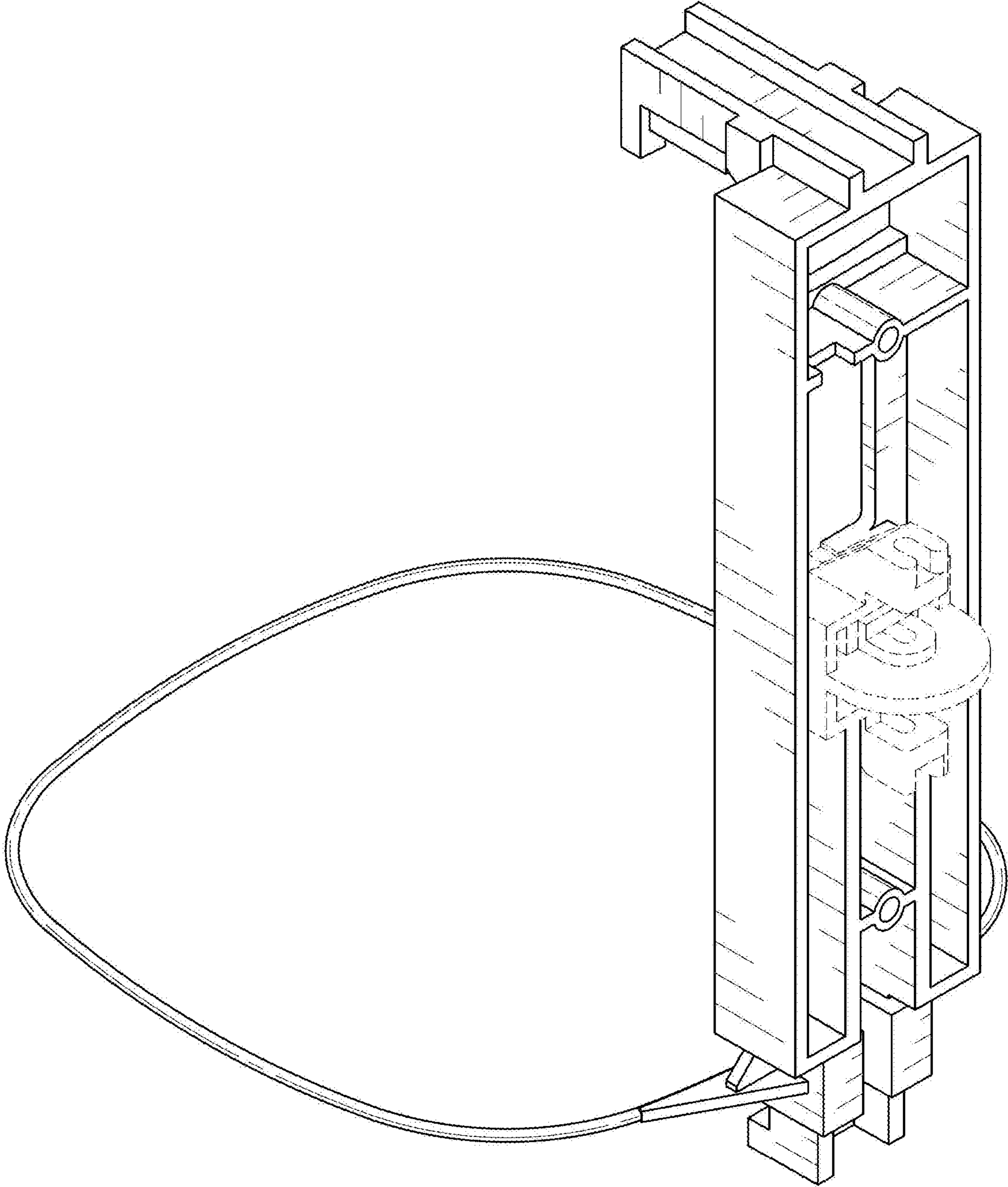


FIG. 2

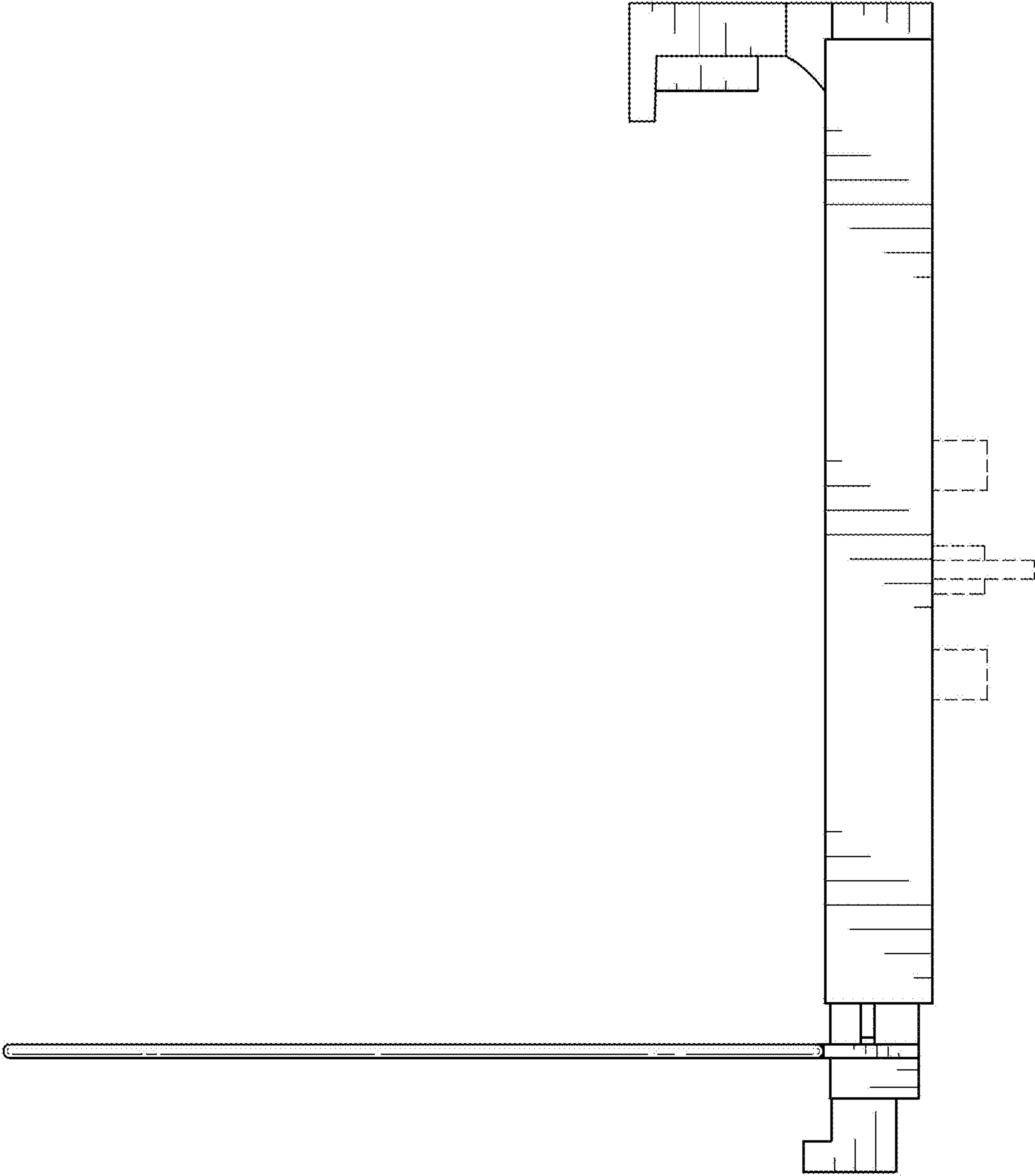


FIG. 3

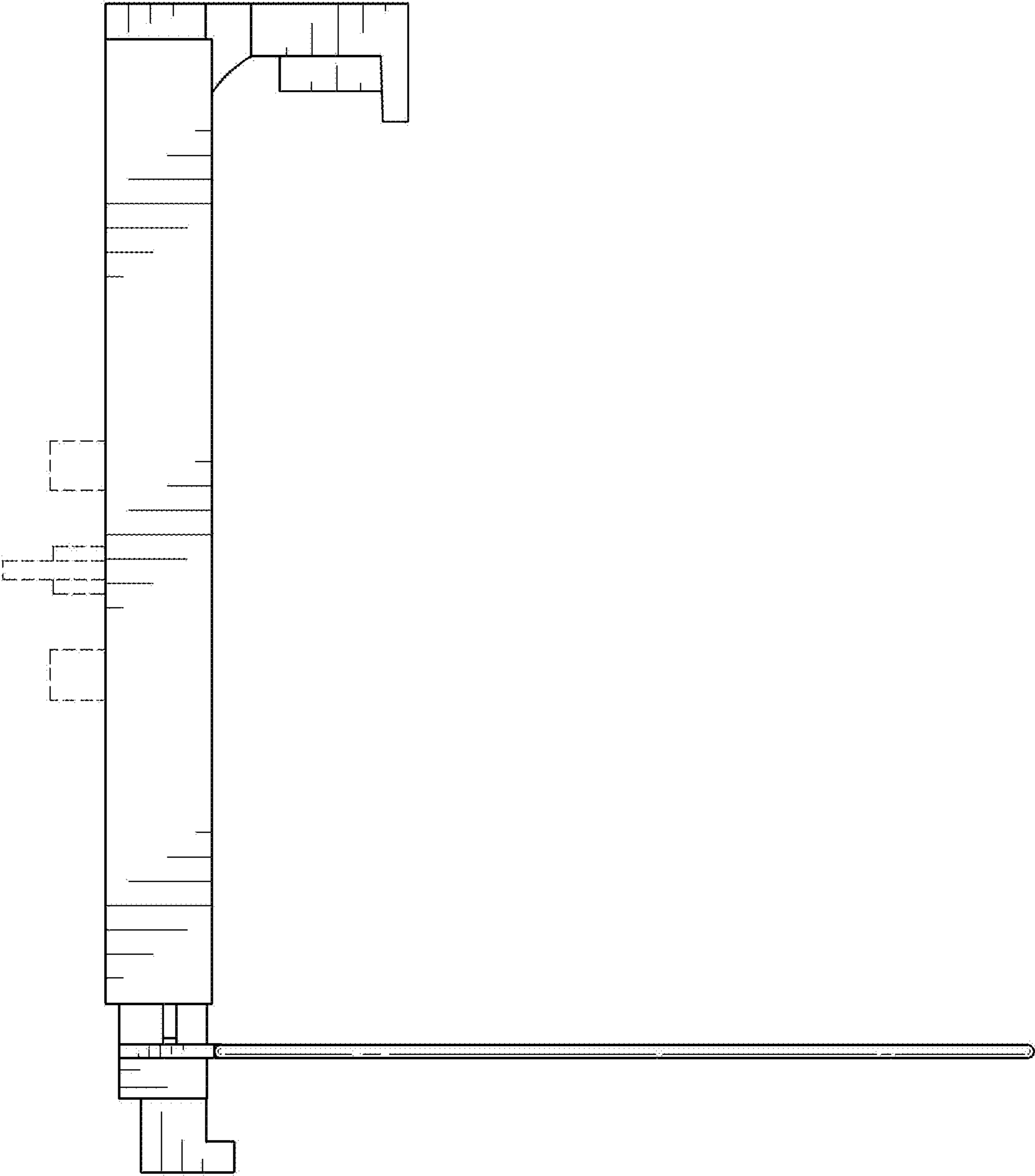


FIG. 4

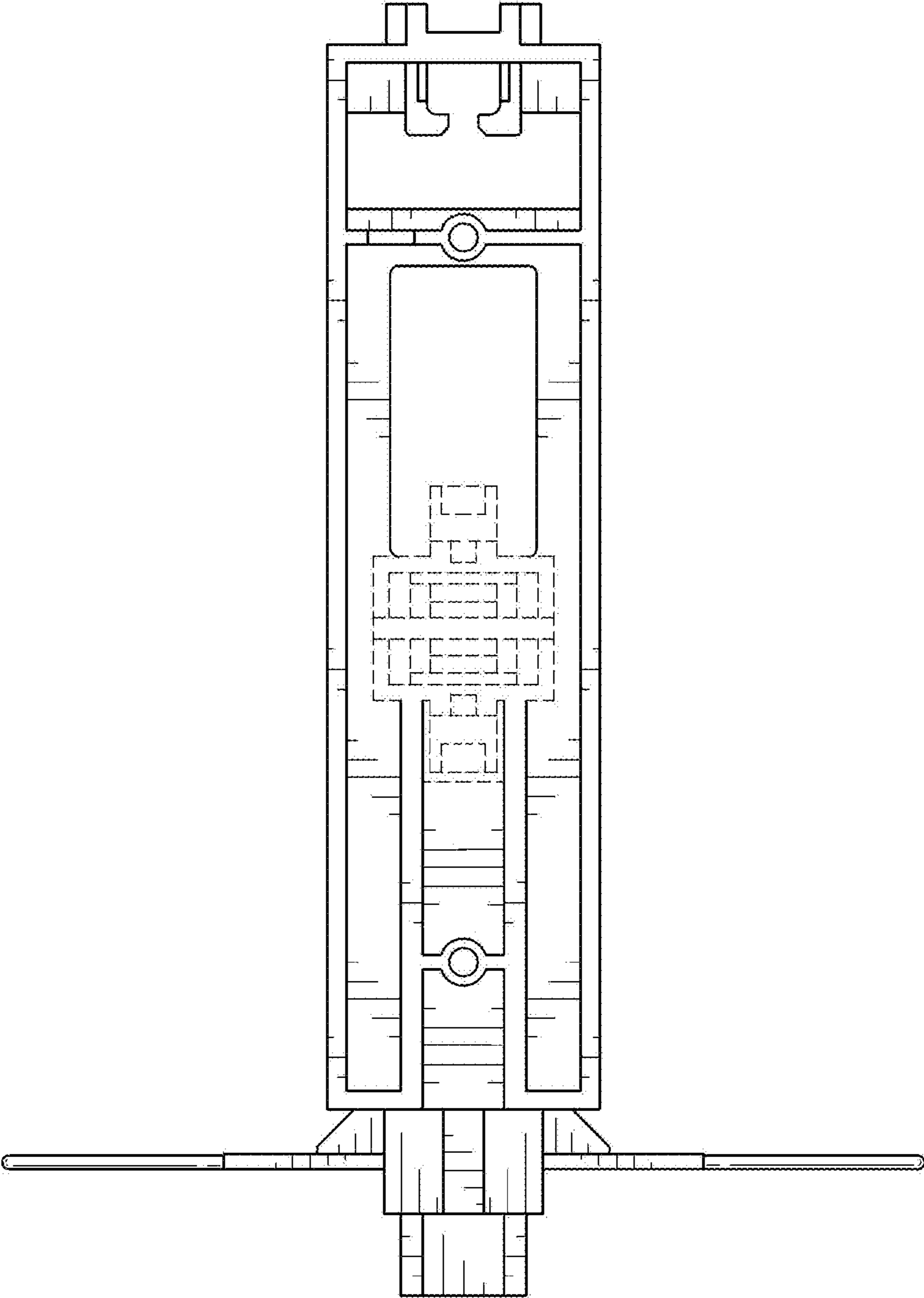


FIG. 5

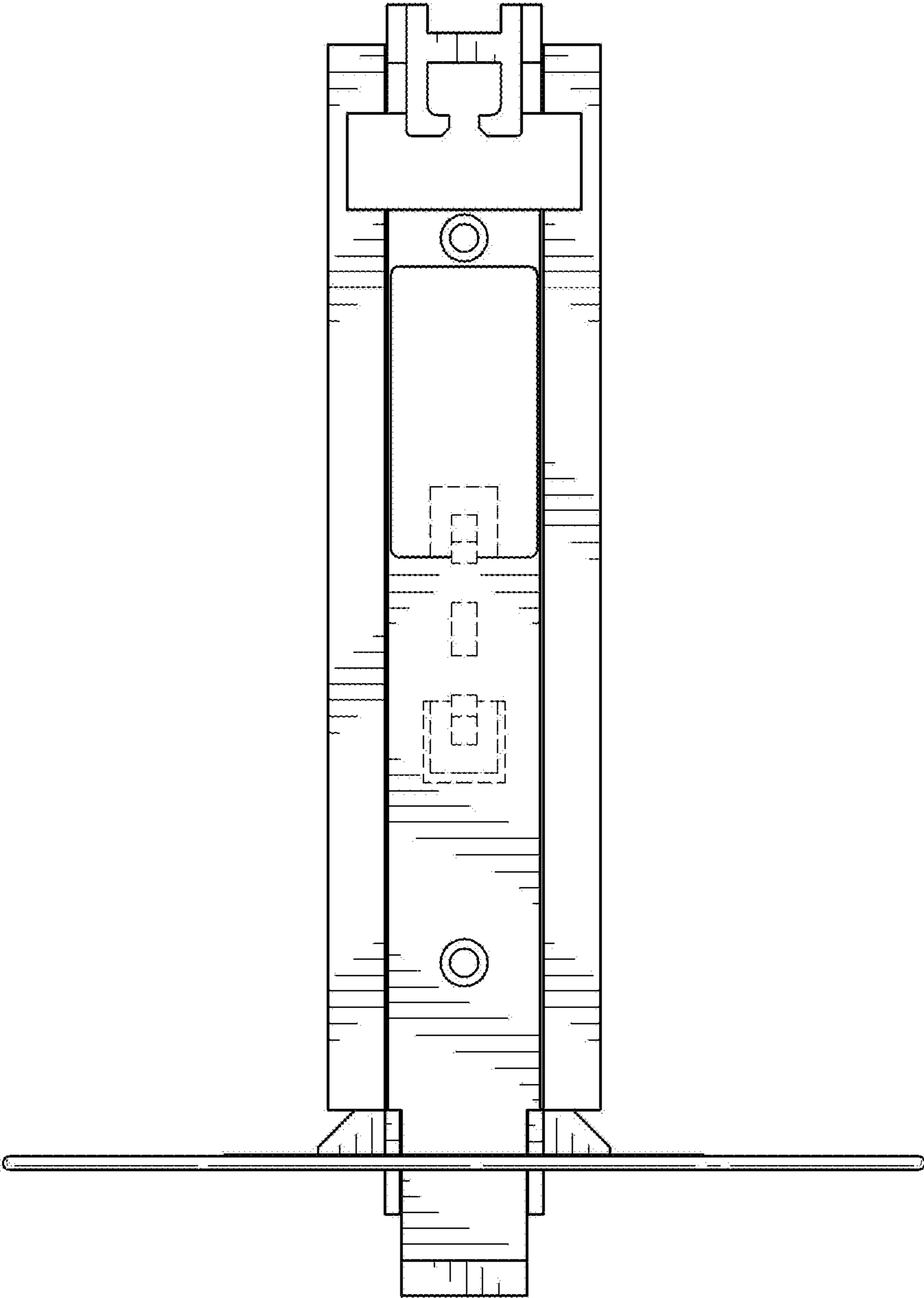


FIG. 6

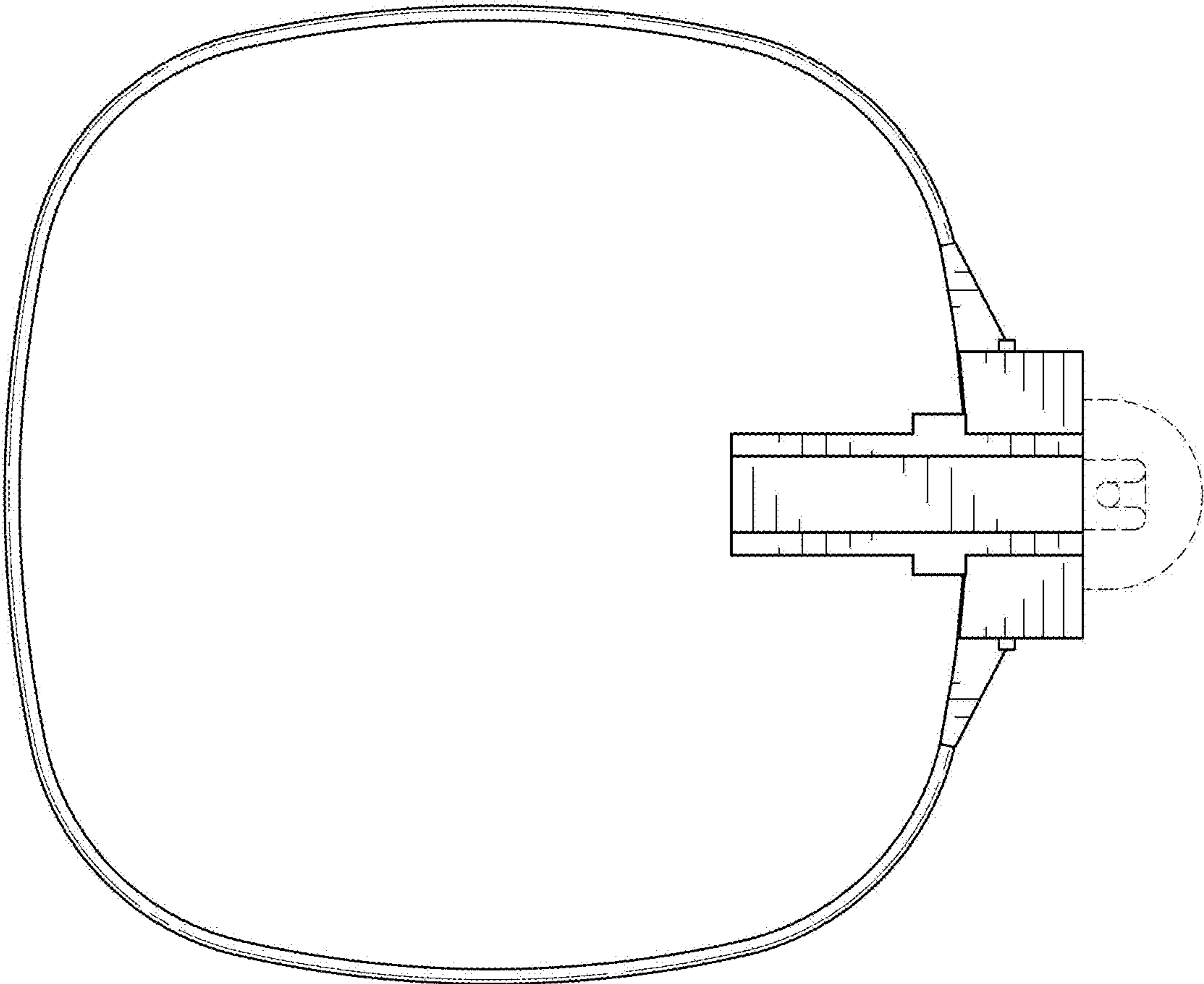


FIG. 7

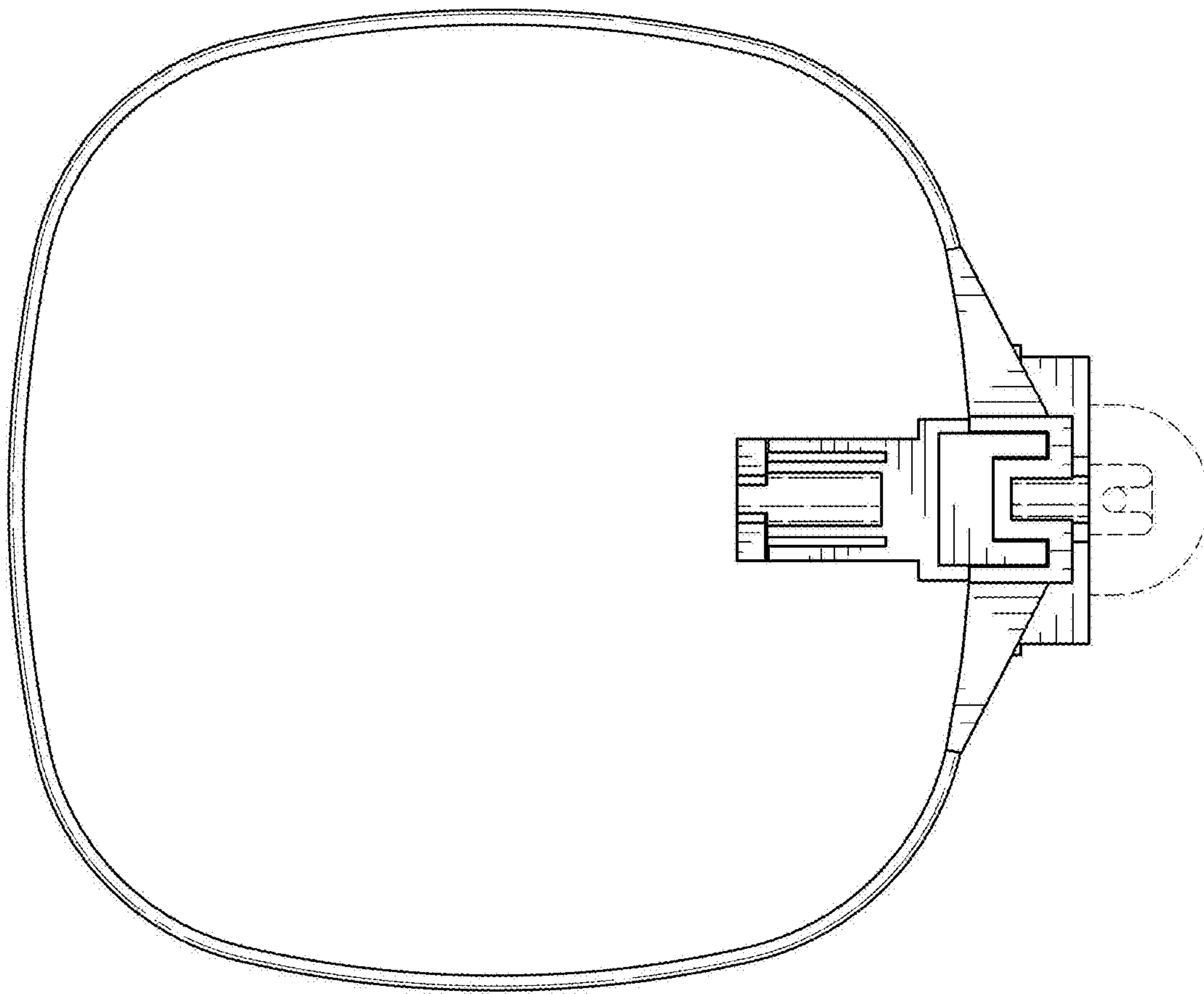


FIG. 8

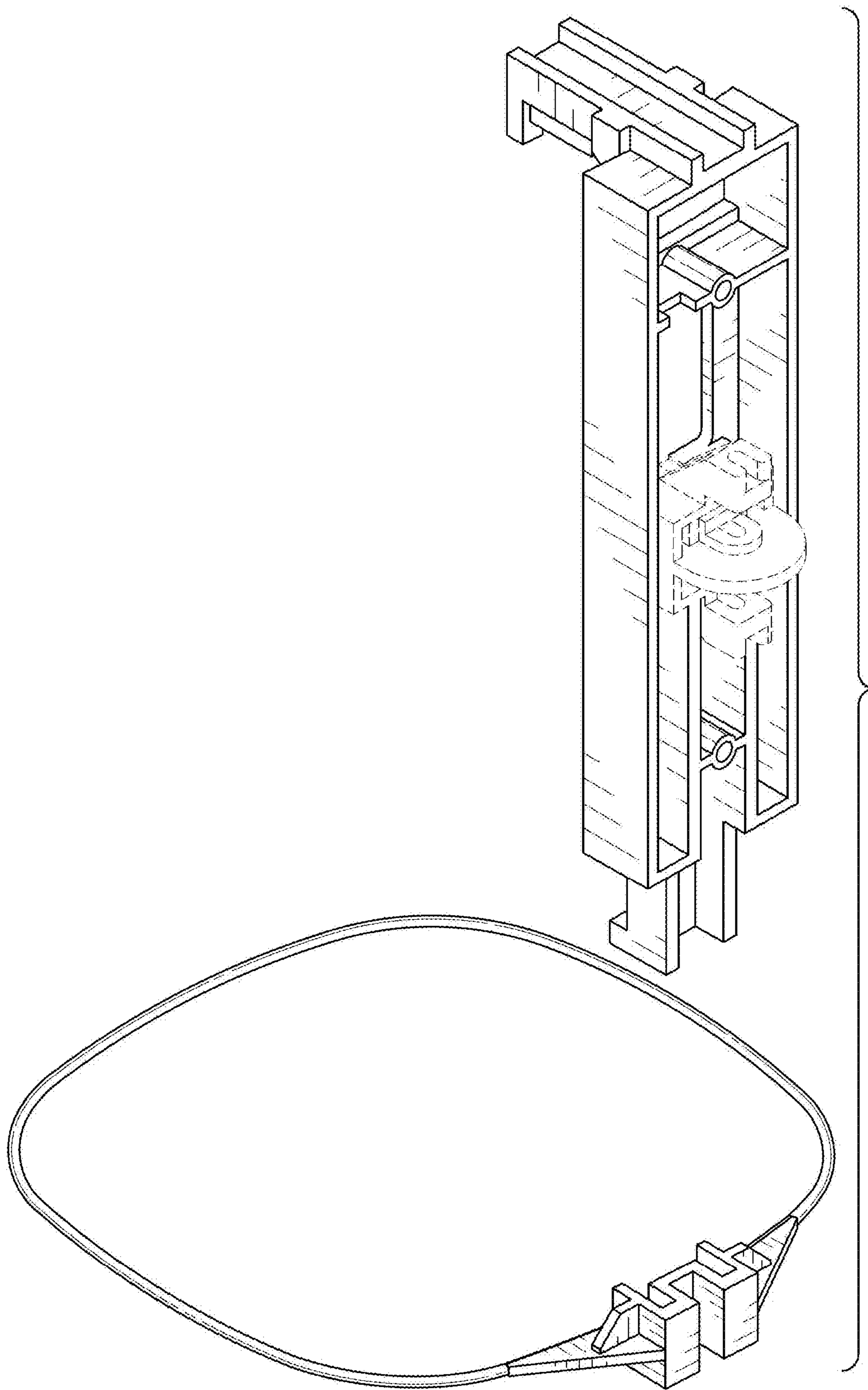


FIG. 9

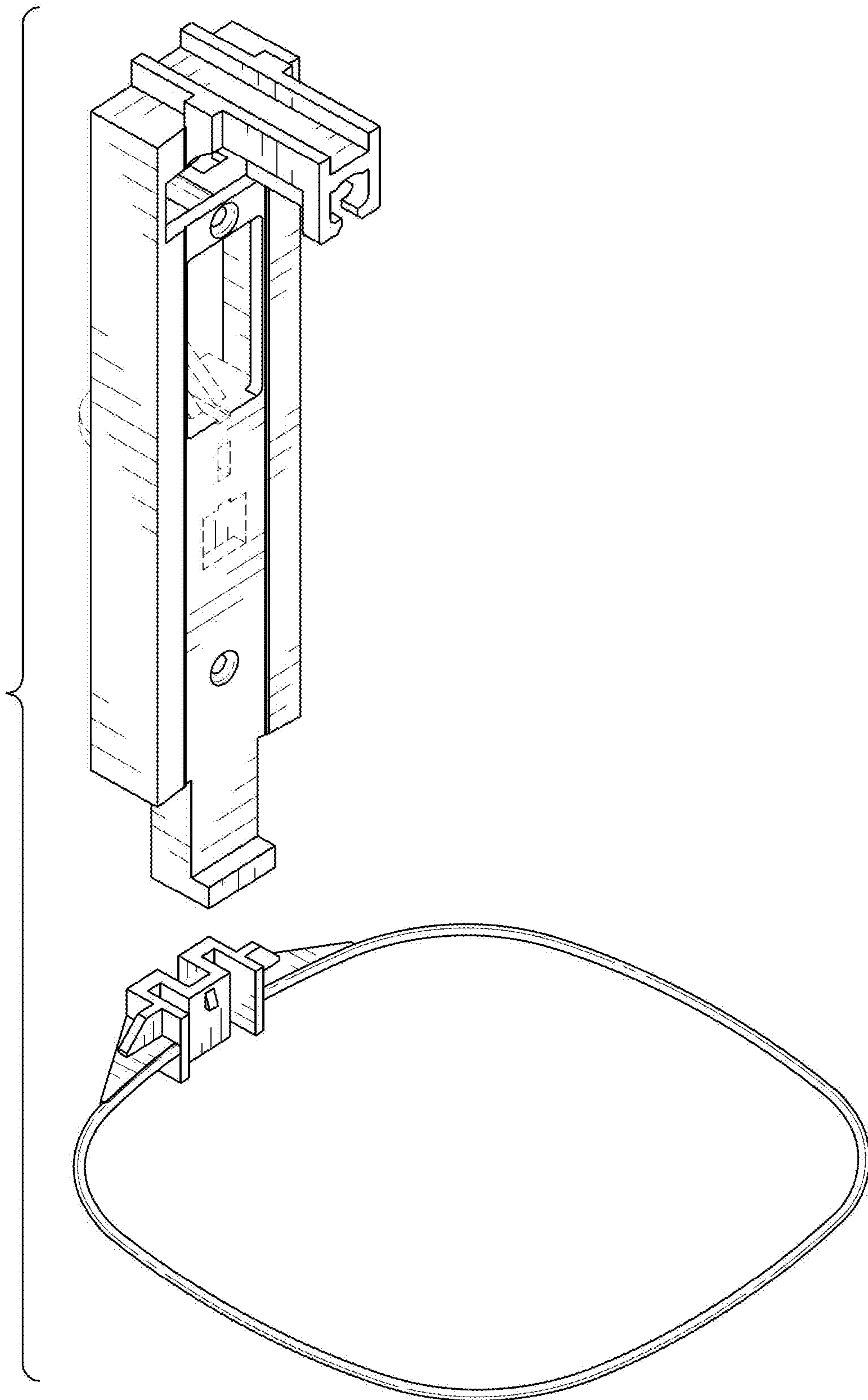


FIG. 10